



US00D627333S

(12) **United States Design Patent**
Lazzeroni et al.

(10) **Patent No.:** **US D627,333 S**

(45) **Date of Patent:** **** *Nov. 16, 2010**

(54) **POLYGONAL SPEAKER GRILL**

(75) Inventors: **John J. Lazzeroni**, Tucson, AZ (US);
Melinda K. Carevich, Tucson, AZ (US)

(73) Assignee: **J&M Corporation**, Tucson, AZ (US)

(*) Notice: This patent is subject to a terminal disclaimer.

(**) Term: **14 Years**

(21) Appl. No.: **29/345,982**

(22) Filed: **Oct. 23, 2009**

(51) **LOC (9) Cl.** **14-01**

(52) **U.S. Cl.** **D14/219**

(58) **Field of Classification Search** D14/204,
D14/210-216, 219, 221-222, 172; 181/143-144,
181/147-148, 150-153, 157, 198-199; 381/300-303,
381/306, 332-333, 336, 345, 361-364, 386-388
See application file for complete search history.

(56) **References Cited**

U.S. PATENT DOCUMENTS

D278,432 S	*	4/1985	Buck	D14/219
D280,818 S	*	10/1985	Clover, Jr.	D14/215
D281,067 S	*	10/1985	Katsuno	D14/215
D292,091 S	*	9/1987	Keitoku	D14/215
D302,818 S	*	8/1989	Camens	D14/219
D425,900 S	*	5/2000	Chu	D14/219
D567,228 S		4/2008	Lazzeroni et al.		
D571,791 S		6/2008	Lazzeroni et al.		
D579,920 S		11/2008	Lazzeroni et al.		
D579,921 S		11/2008	Lazzeroni et al.		

OTHER PUBLICATIONS

Harley-Davidson USA, Accessories and Apparel, Genuine Motor Accessories, Model No. 77181-10, Boom! Audio™ High Perform-

mance Boom! Bagger Fairing Speakers; www.harley-davidson.com/gma/gma_product.jsp, Aug. 21, 2009.

* cited by examiner

Primary Examiner—Nanda Bondade

(74) *Attorney, Agent, or Firm*—Quarles & Brady LLP; Gavin J. Milczarek-Desai

(57) **CLAIM**

The ornamental design for a polygonal speaker grill, as shown and described.

DESCRIPTION

FIG. 1 is a front elevational view of a polygonal speaker grill showing our new design;

FIG. 2 is another front elevation view thereof, with the slats on the grill being vertically positioned;

FIG. 3 is another front elevation view thereof, with the slats on the grill being diagonally positioned;

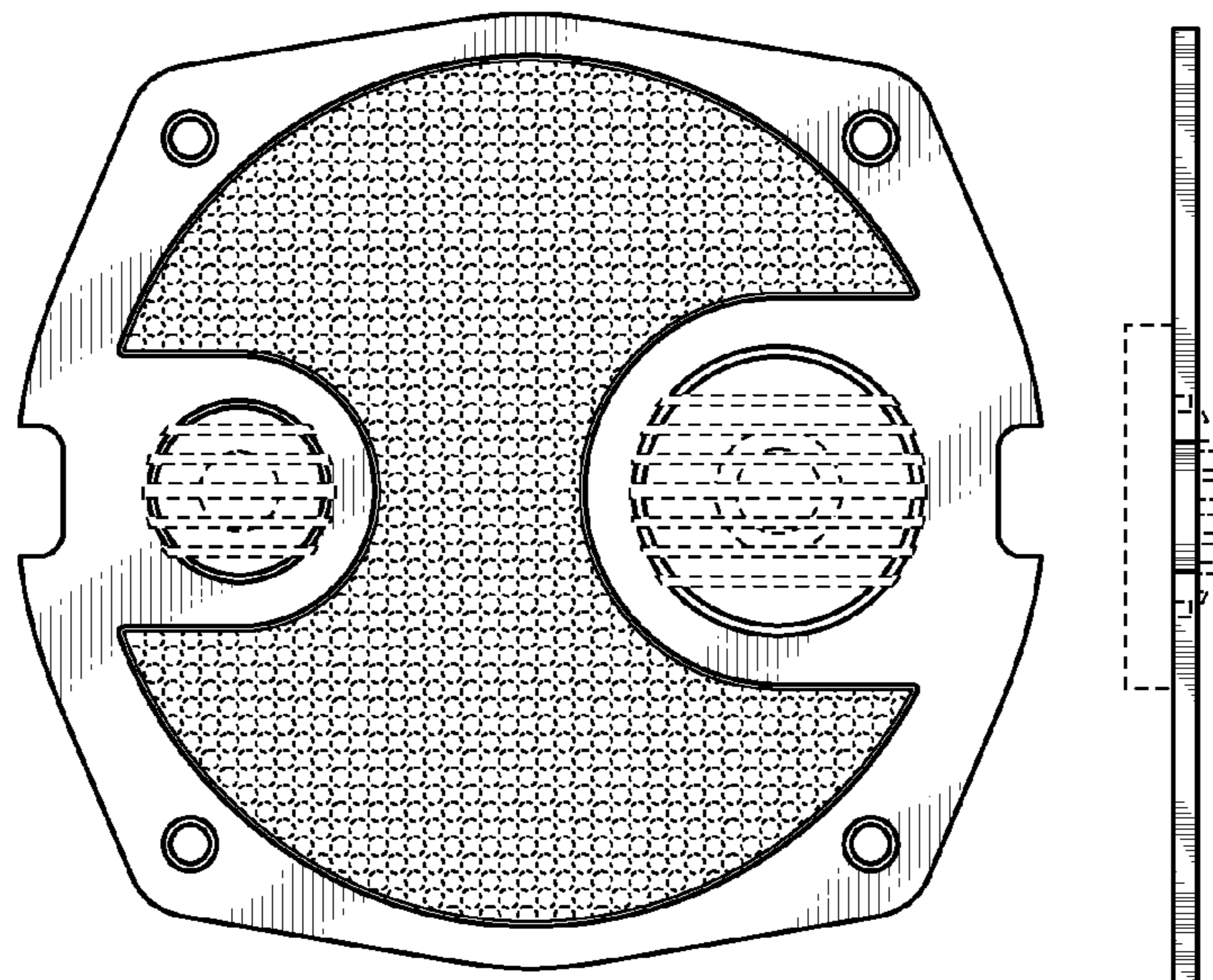
FIG. 4 is a rear elevational view of the speaker grill design.

FIG. 5 is a right side elevational view of FIG. 1, with the right side elevational views of FIG. 2 and FIG. 3 (not shown) differing only in the vertical or diagonal position of the slats, respectively; and,

FIG. 6 is a left side elevational view of FIG. 1, with the left side elevational views of FIG. 2 and FIG. 3 (not shown) differing only in the vertical or diagonal position of the slats, respectively.

The broken line showing on the drawing disclosure is for illustrative purposes only and forms no part of the claimed design.

1 Claim, 2 Drawing Sheets



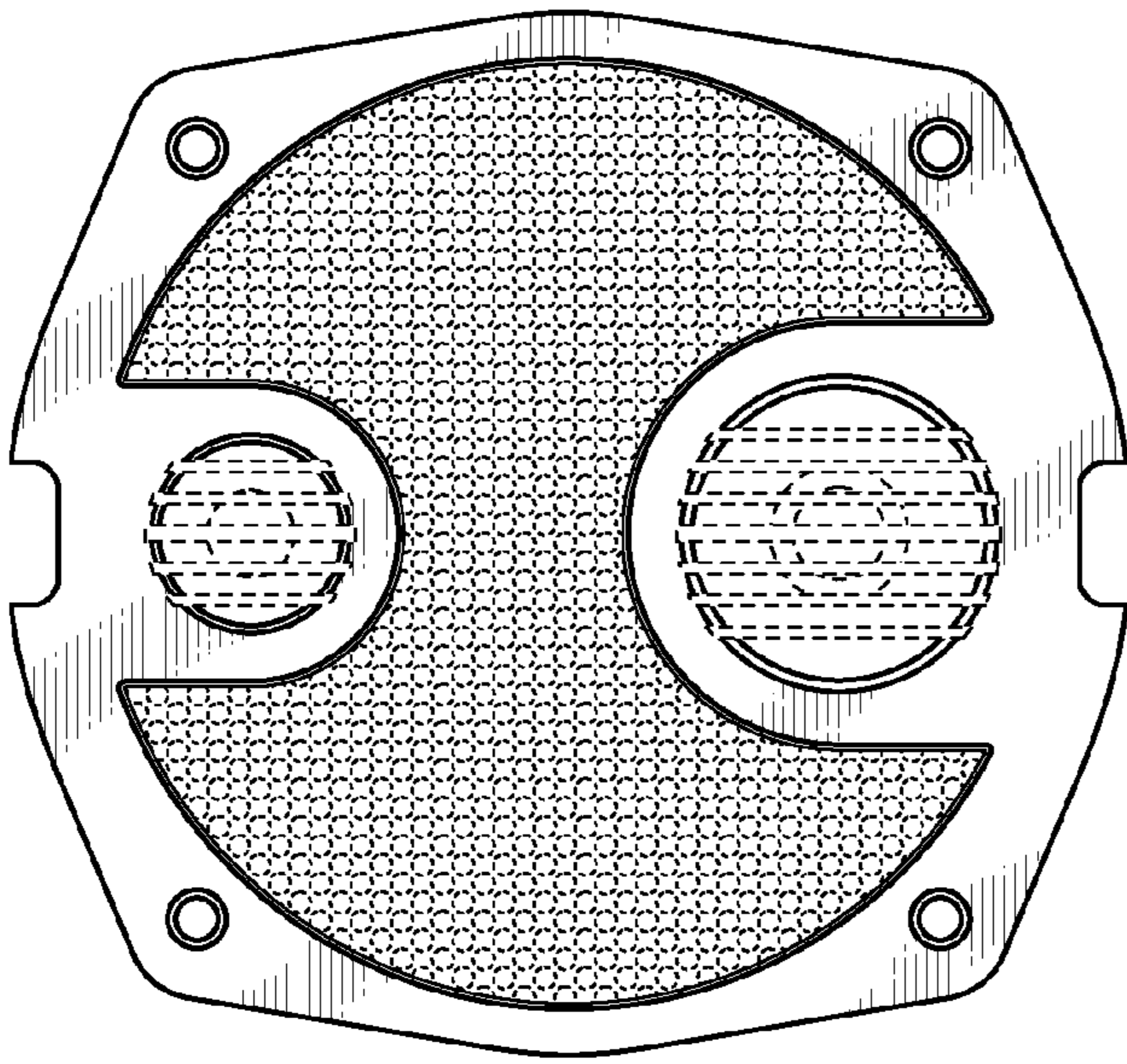


FIG. 1

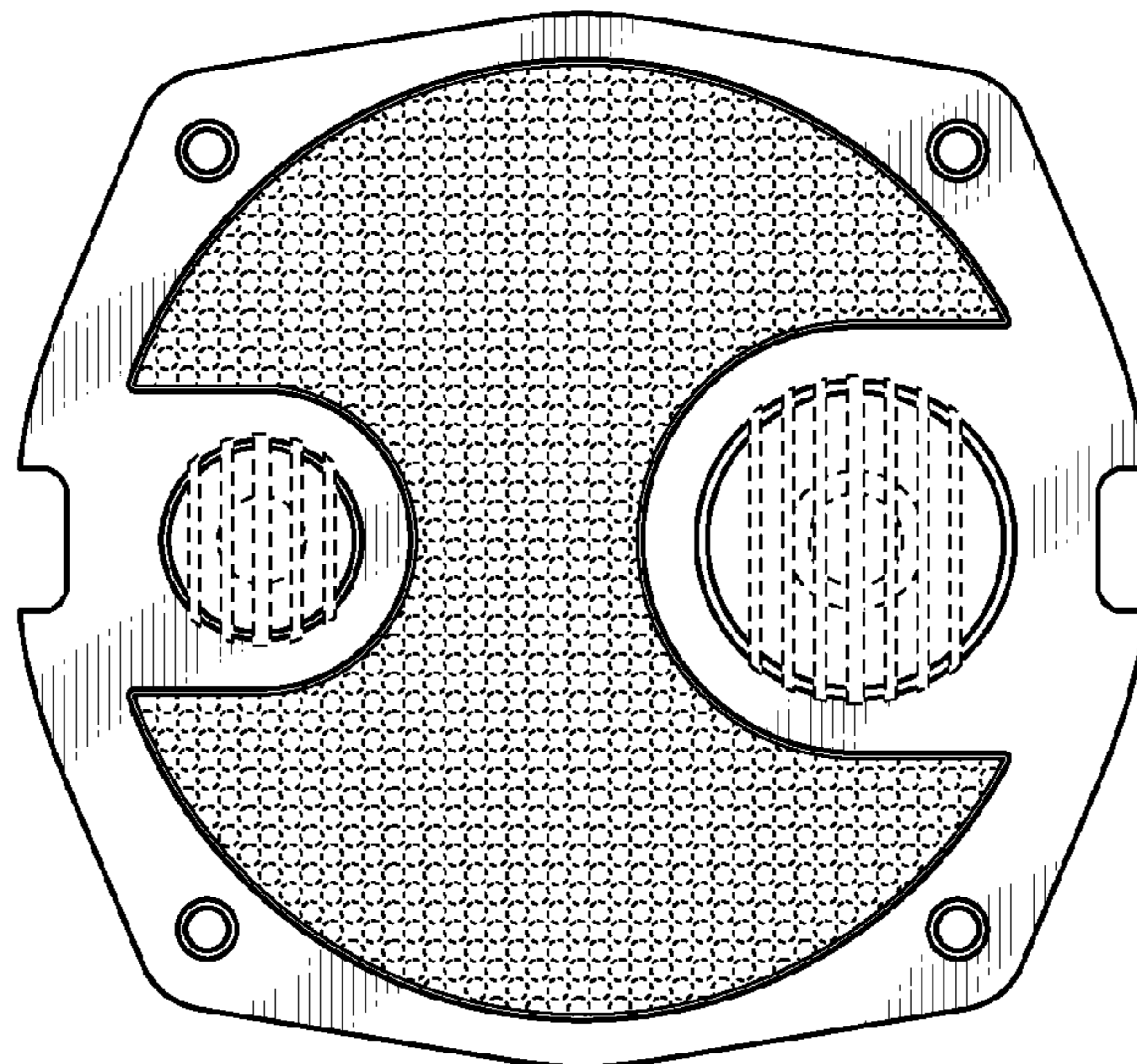


FIG. 2

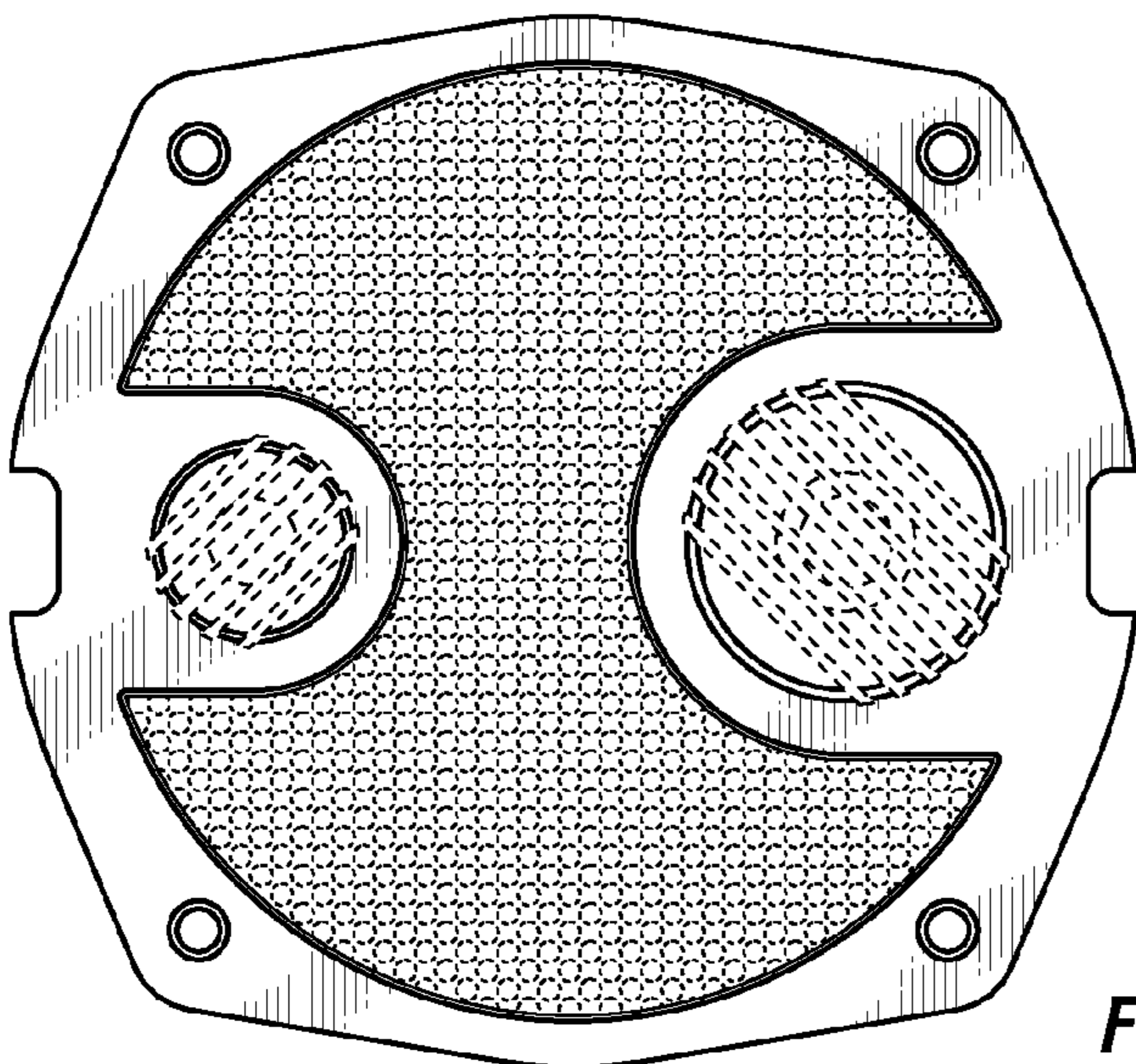


FIG. 3

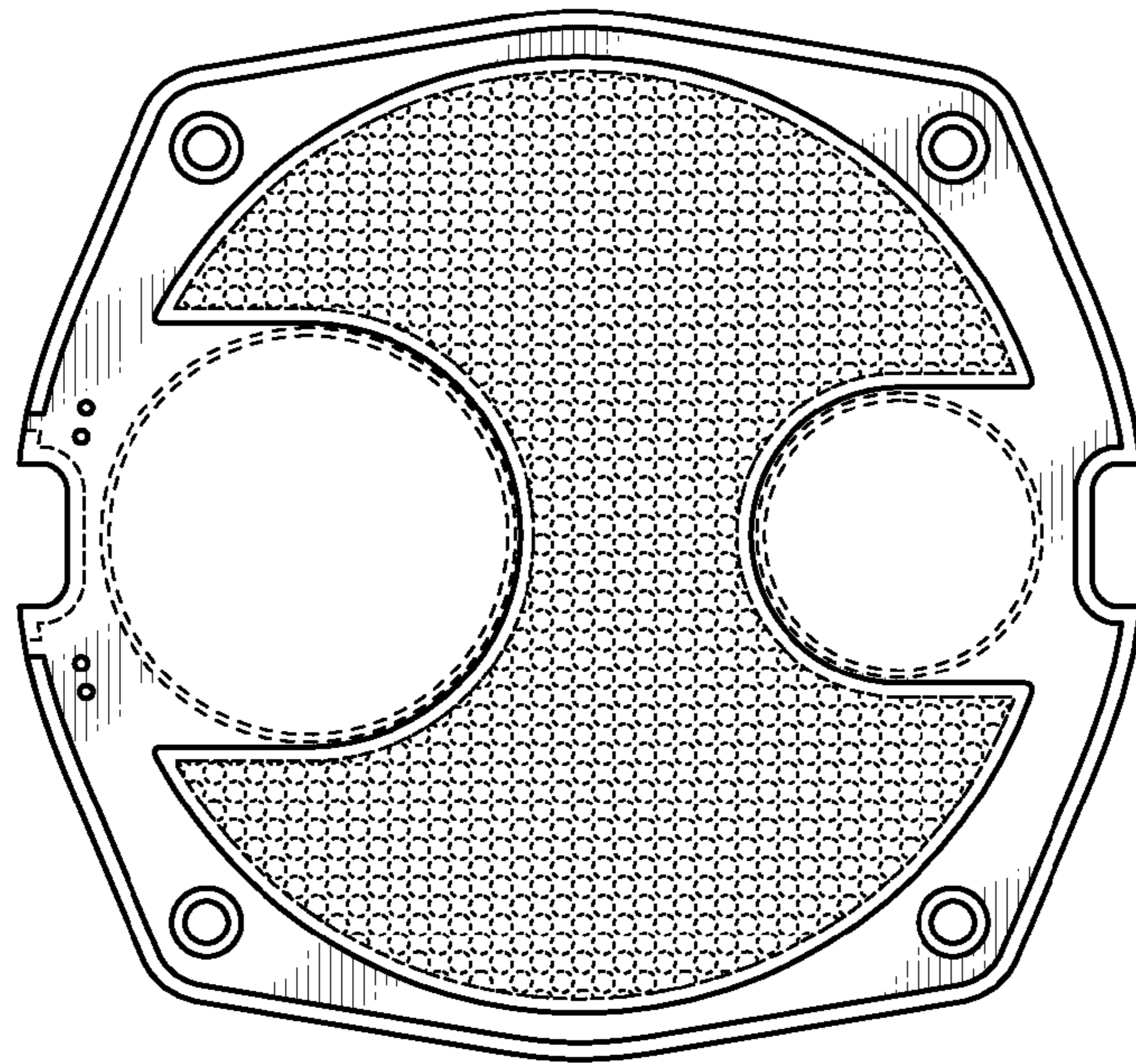


FIG. 4

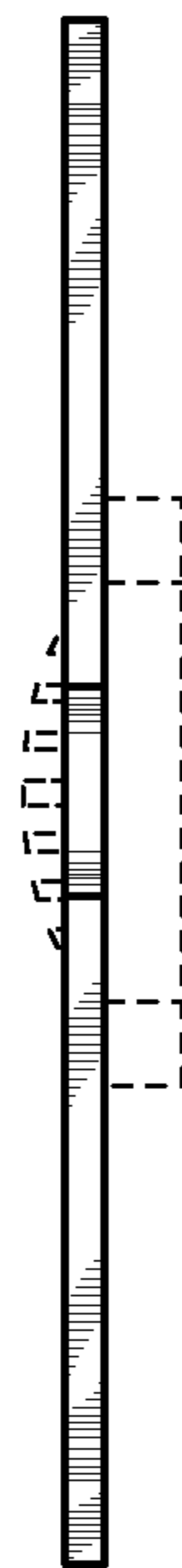


FIG. 5

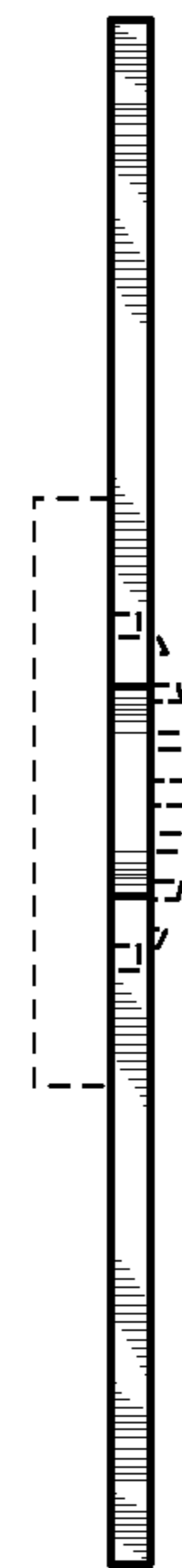


FIG. 6