



US00D627331S

(12) **United States Design Patent**
Ethell

(10) **Patent No.:** **US D627,331 S**

(45) **Date of Patent:** **** Nov. 16, 2010**

(54) **AUDIO VISUAL PHOTOGRAPH DISPLAY BOX**

(76) Inventor: **Barbara A. Ethell**, 1260 N. Morain Loop, Kennewick, WA (US) 99336

(**) Term: **14 Years**

(21) Appl. No.: **29/314,120**

(22) Filed: **Mar. 6, 2009**

(51) **LOC (9) Cl.** **14-03**

(52) **U.S. Cl.** **D14/203.1; D14/496; D14/203.3**

(58) **Field of Classification Search** D14/496, D14/401, 435, 474, 483, 217, 137, 138, 160, D14/168, 356, 203.1-203.8, 507; 345/156, 345/169, 173-179, 905; 715/727-729, 864; 710/1, 5, 8; 713/1, 600; 455/1.1, 1.7, 73, 455/344-347, 93, 95, 3.01-3.06, 550.1, 573.1; 370/342-344; 369/1, 2, 6-12; 463/43-47; 273/148 B; 40/411, 421, 714, 717, 720-722, 40/738; 206/751, 754

See application file for complete search history.

(56) **References Cited**

U.S. PATENT DOCUMENTS

3,774,332 A * 11/1973 Schneider 40/720

5,461,437 A *	10/1995	Tanaka et al.	353/71
6,202,838 B1 *	3/2001	Tran	206/232
6,443,574 B1 *	9/2002	Howell et al.	353/13
6,574,433 B1 *	6/2003	Stuempfl	396/25
6,626,543 B2 *	9/2003	Derryberry	353/119
6,792,709 B1 *	9/2004	Fine et al.	40/720
2002/0175915 A1 *	11/2002	Lichtfuss	345/440
2006/0162211 A1 *	7/2006	Senin	40/717
2008/0110071 A1 *	5/2008	Farnsworth et al.	40/722

* cited by examiner

Primary Examiner—Prabhakar Deshmukh

(74) *Attorney, Agent, or Firm*—Richard L. Mikesell

(57) **CLAIM**

The ornamental design for an audio visual photograph display box, as shown and described.

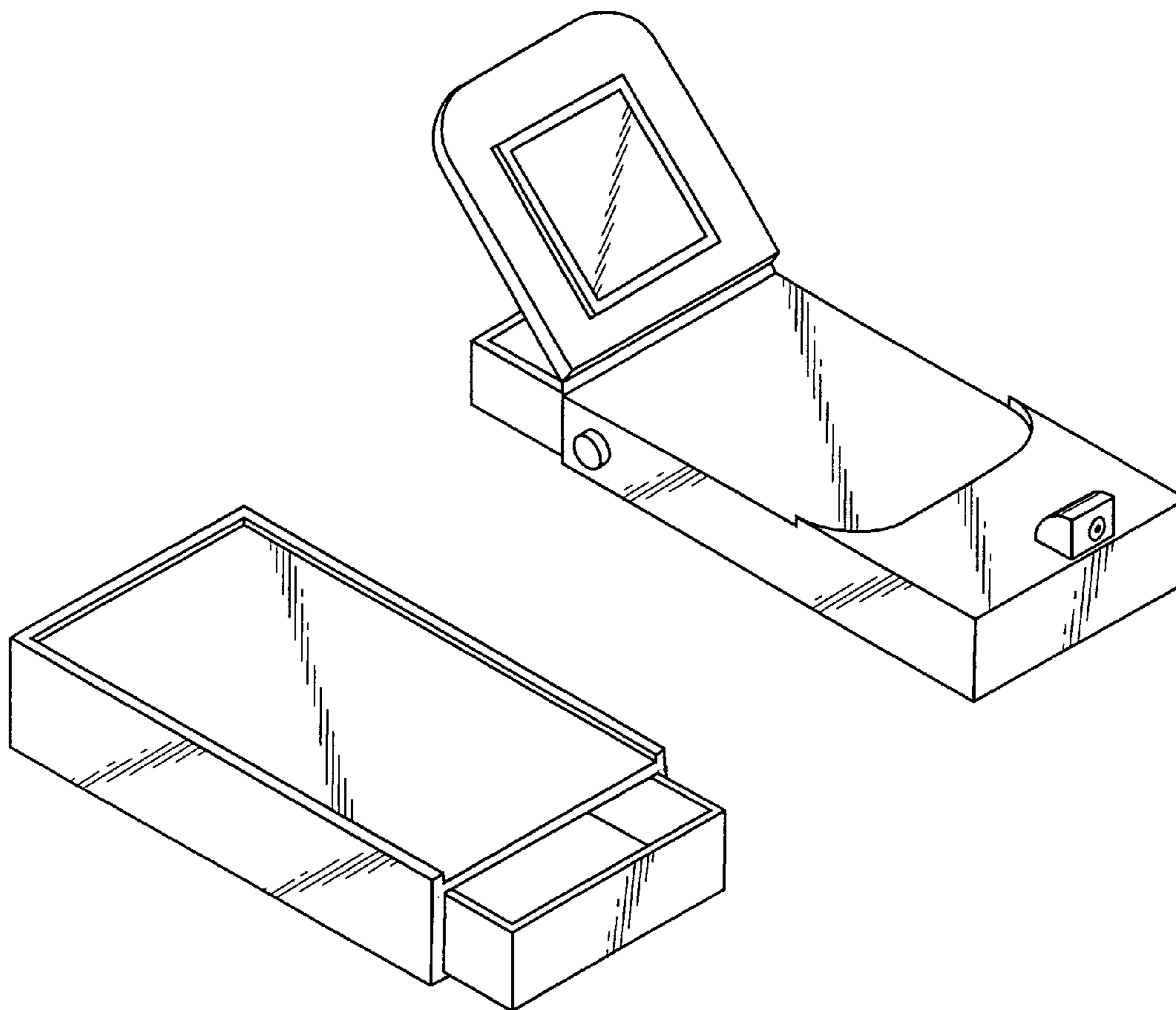
DESCRIPTION

FIG. 1 is a perspective view of an audio visual photograph display box showing my new design, the arrows indicate the relationship of parts and assembly of the design; and,

FIG. 2 is a perspective view, without arrows.

The bottom, rear and left side are plain and unadorned.

1 Claim, 2 Drawing Sheets



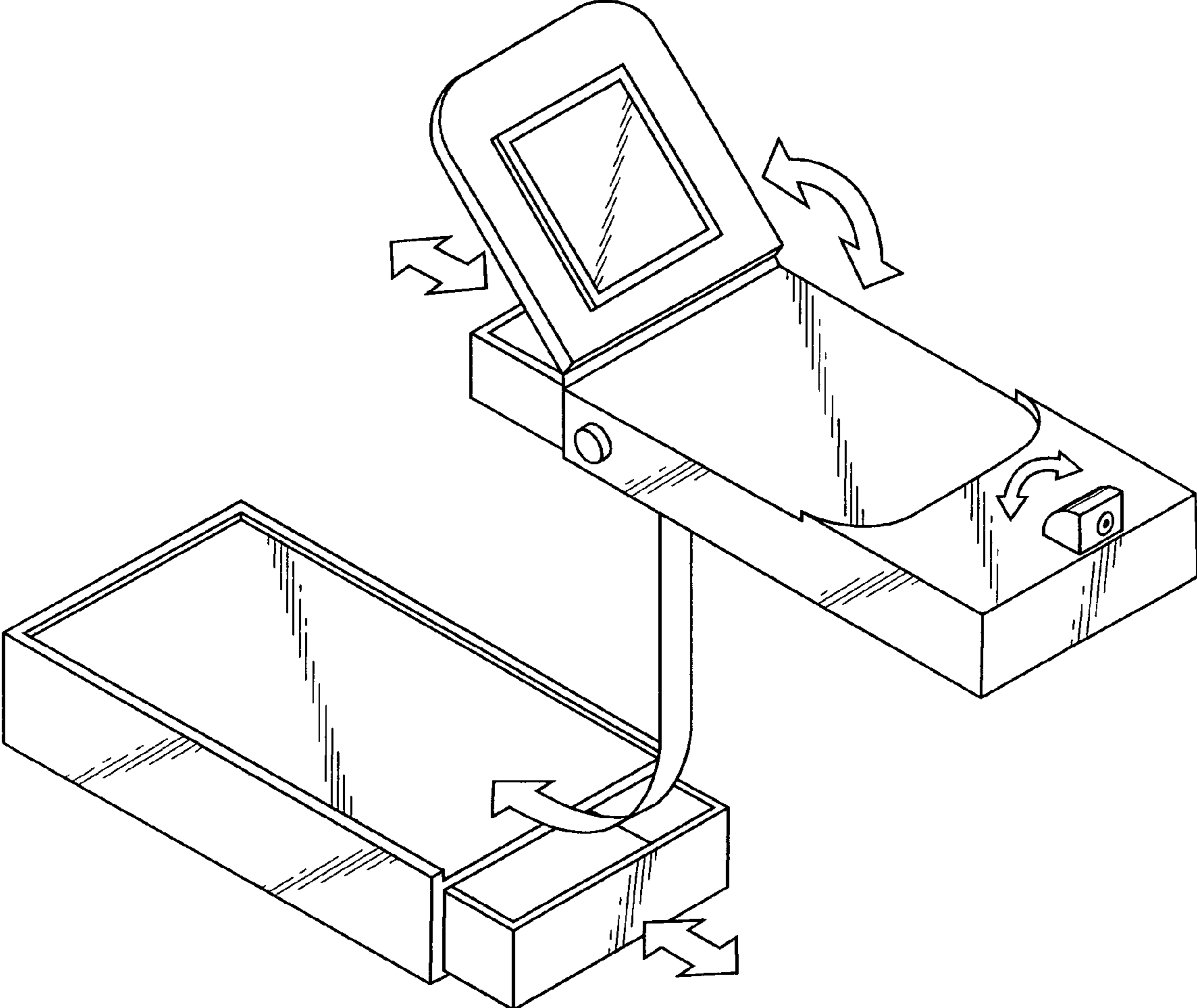


Fig. 1

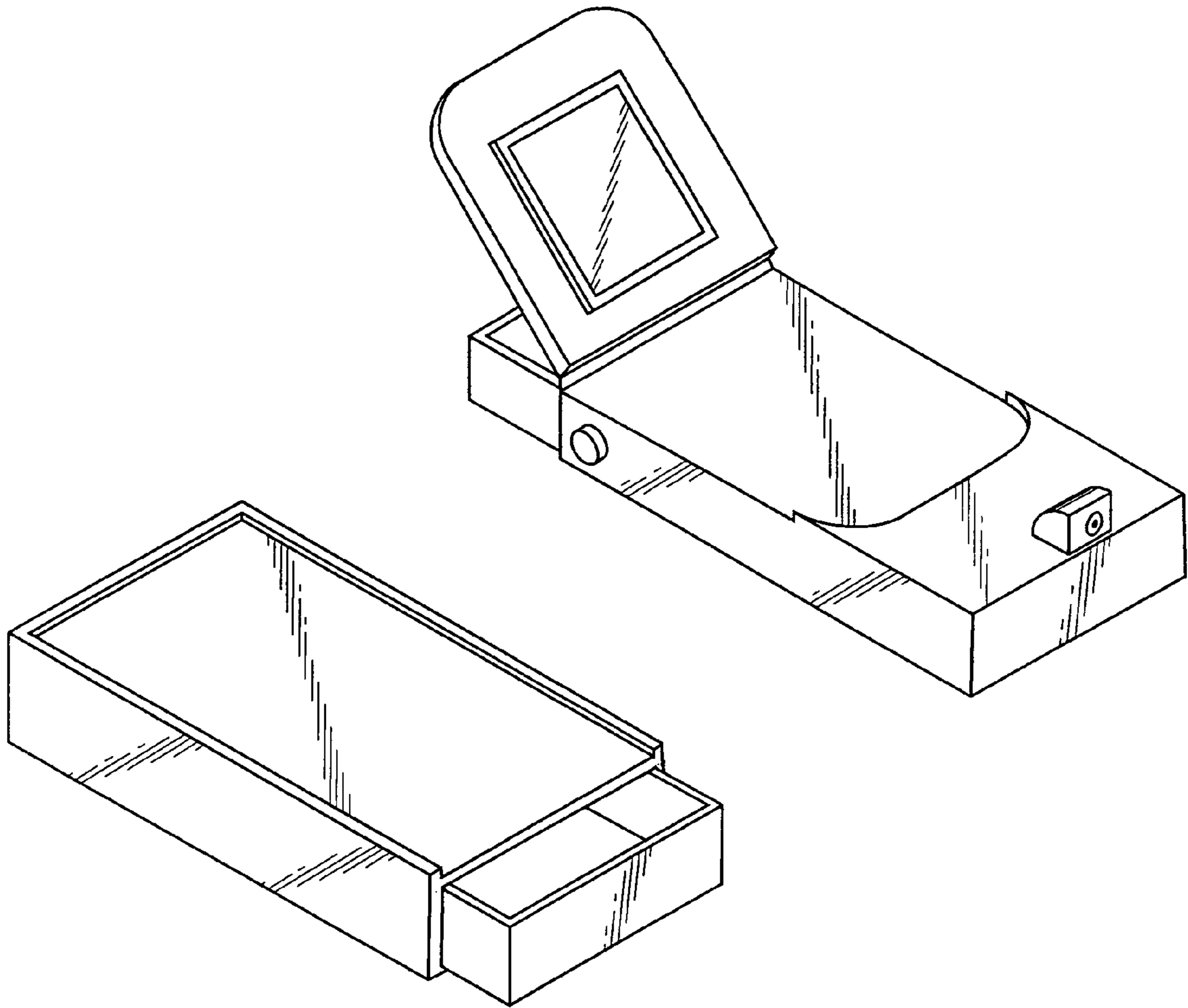


Fig. 2