



US00D627330S

(12) **United States Design Patent**  
**Otsuka**

(10) **Patent No.:** **US D627,330 S**

(45) **Date of Patent:** **\*\* Nov. 16, 2010**

(54) **AMPLIFIER**

(75) Inventor: **Koji Otsuka**, Tokyo (JP)

(73) Assignee: **Kabushiki Kaisha Audio-Technica**,  
Tokyo (JP)

(\*\*) Term: **14 Years**

(21) Appl. No.: **29/357,013**

(22) Filed: **Mar. 5, 2010**

(30) **Foreign Application Priority Data**

Oct. 5, 2009 (JP) ..... 2009-023163

(51) **LOC (9) Cl.** ..... **14-03**

(52) **U.S. Cl.** ..... **D14/192; D14/238.1**

(58) **Field of Classification Search** ..... D14/168,  
D14/169, 179, 188, 191, 192, 194-198, 215,  
D14/217, 238.1, 257, 265, 299, 496; 330/1 R,  
330/3, 4, 250; 381/86, 120; 455/344-351  
See application file for complete search history.

(56) **References Cited**

**U.S. PATENT DOCUMENTS**

D313,020 S \* 12/1990 Ichikawa ..... D14/192  
D420,665 S \* 2/2000 Rosenberg et al. .... D14/188  
D441,735 S \* 5/2001 Katayama ..... D14/203.7  
D492,665 S \* 7/2004 Lee ..... D14/218  
D495,681 S \* 9/2004 Gubbels et al. .... D14/191  
D512,711 S \* 12/2005 Skulley ..... D14/223

D524,297 S \* 7/2006 Lee ..... D14/218  
D543,537 S \* 5/2007 Chau ..... D14/218  
D558,740 S \* 1/2008 Jaakkola et al. .... D14/223  
D588,545 S \* 3/2009 Andre et al. .... D13/154  
D596,614 S \* 7/2009 Wilson ..... D14/188  
D600,237 S \* 9/2009 Kwon et al. .... D14/223  
2008/0032737 A1 \* 2/2008 Liu et al. .... 455/556.1

\* cited by examiner

*Primary Examiner*—Stella M Reid

*Assistant Examiner*—Keli L Hill

(74) *Attorney, Agent, or Firm*—Whitham Curtis  
Christofferson & Cook, PC

(57) **CLAIM**

I claim the ornamental design for the amplifier, as shown and described.

**DESCRIPTION**

FIG. 1 is a front elevational view of the amplifier;  
FIG. 2 is a rear elevational view of the amplifier;  
FIG. 3 is a top plane view of the amplifier;  
FIG. 4 is a bottom plane view of the amplifier;  
FIG. 5 is a right side elevational view of the amplifier;  
FIG. 6 is a left side elevational view of the amplifier;  
FIG. 7 is a perspective view of the amplifier; and,  
FIG. 8 is another perspective view of the amplifier.

**1 Claim, 7 Drawing Sheets**

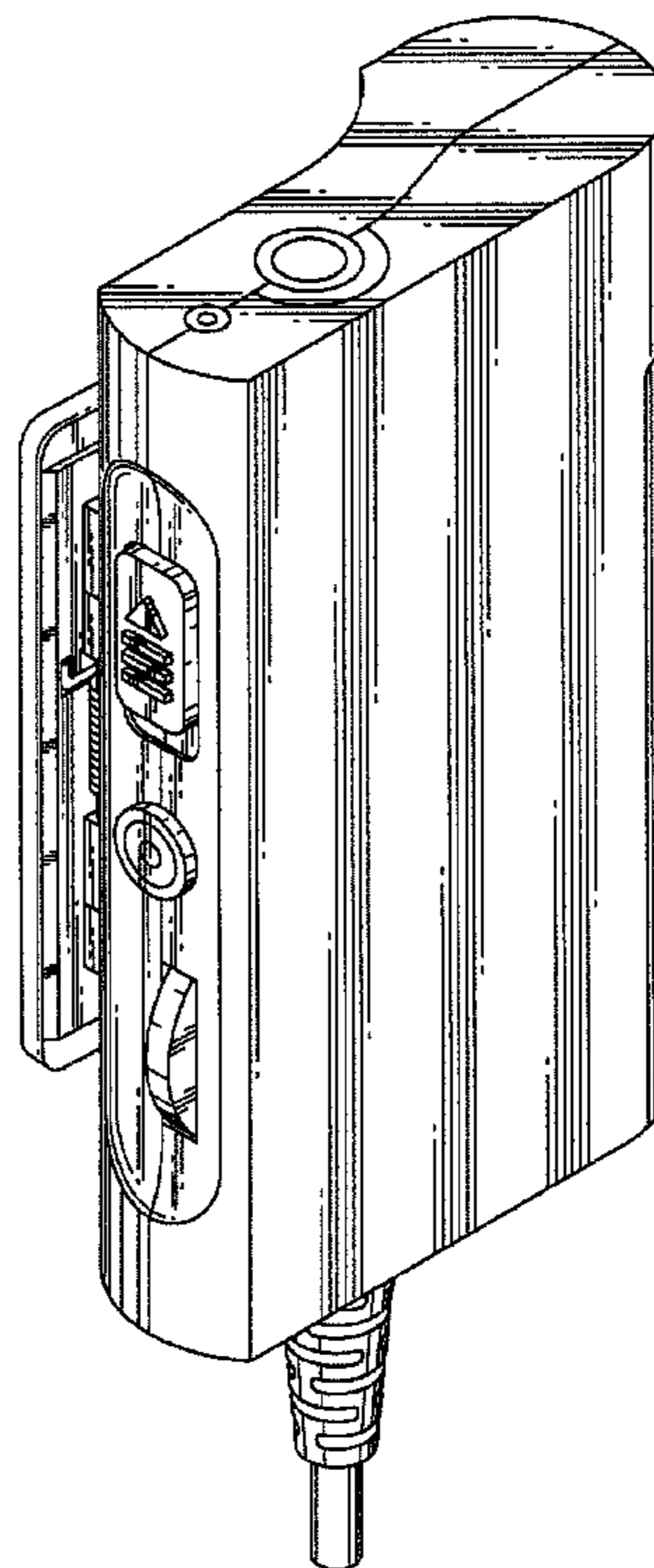
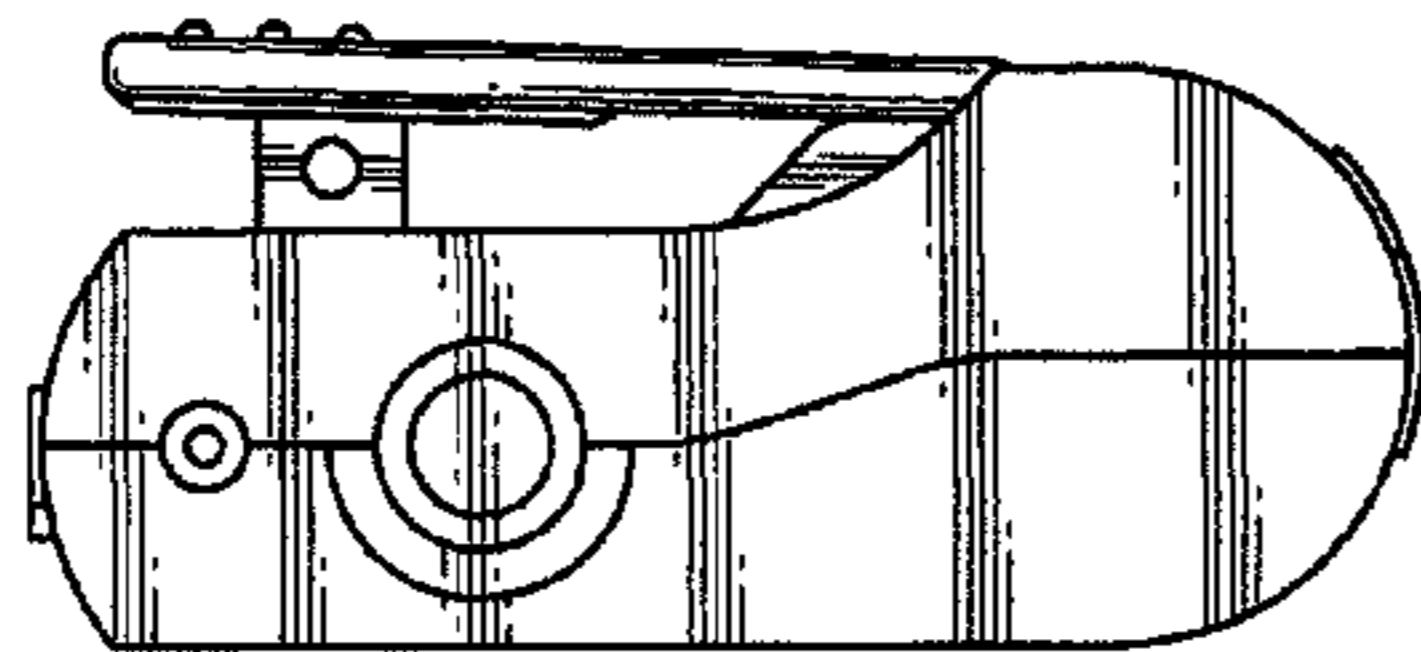


FIGURE 1

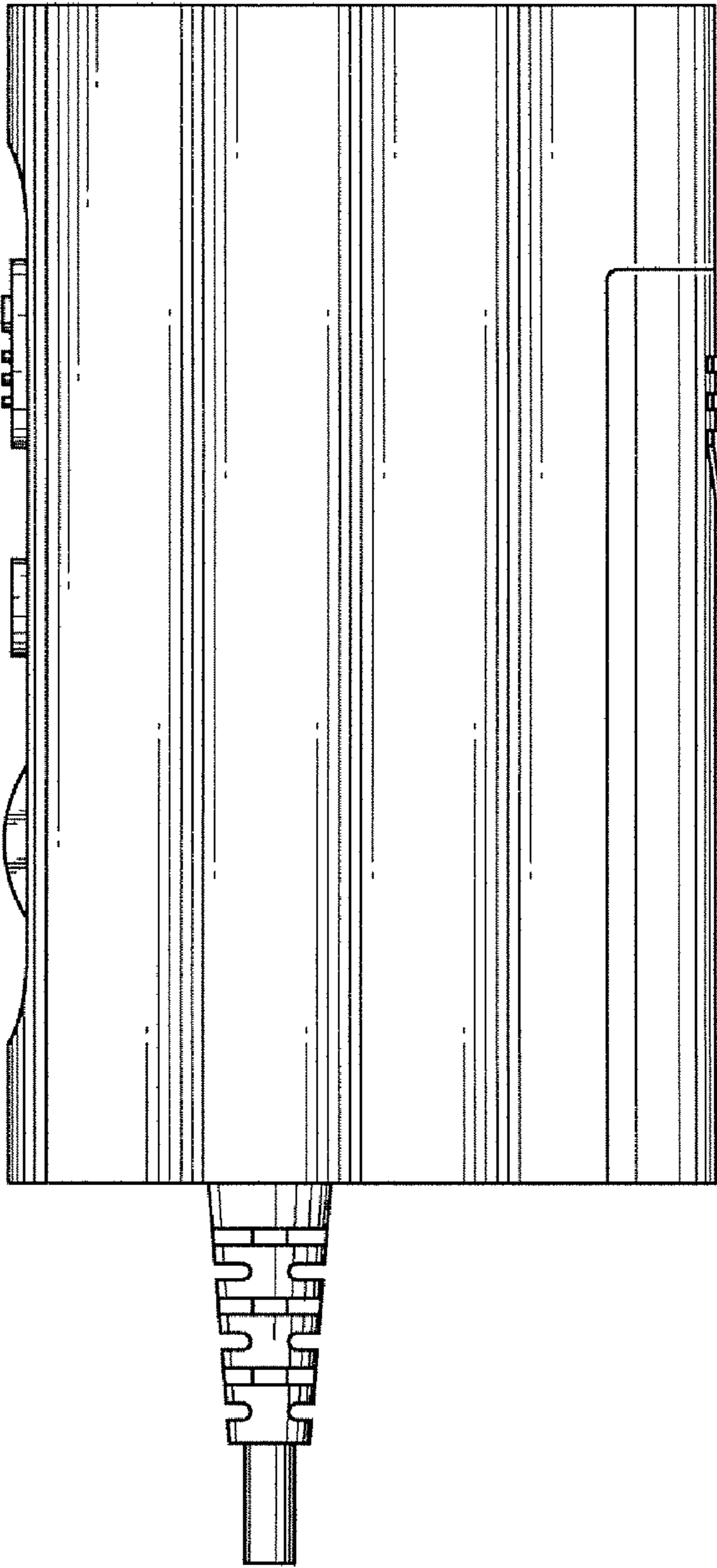
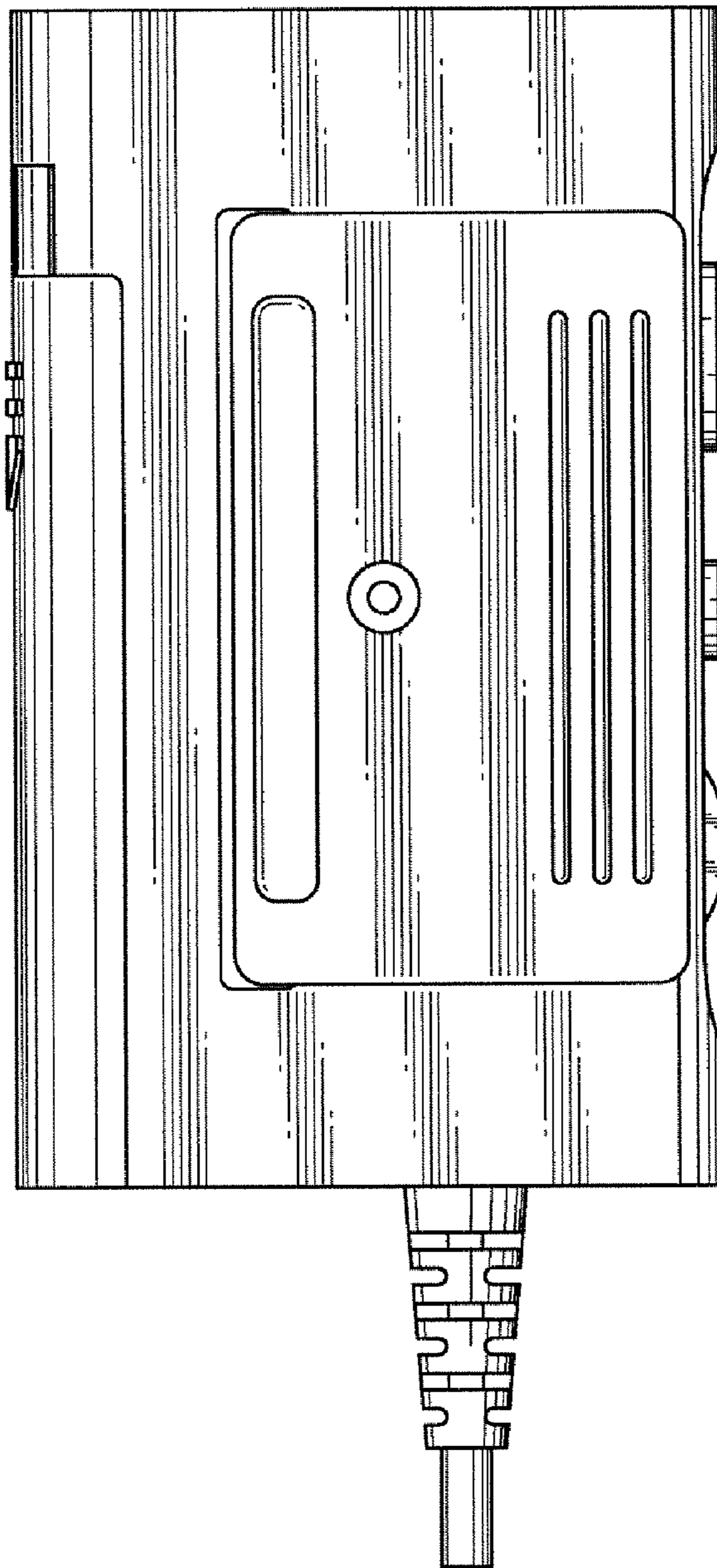
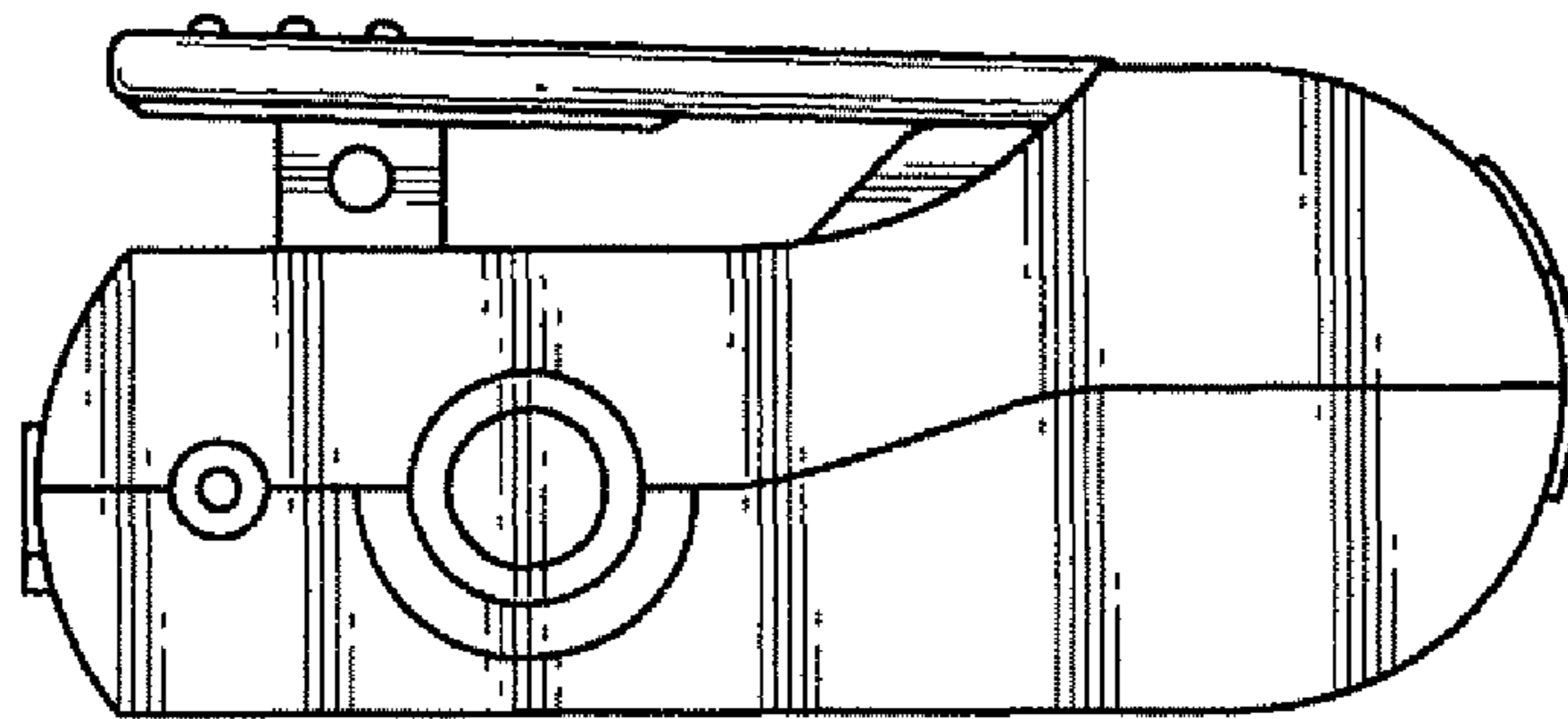


FIGURE 2



**FIGURE 3**



**FIGURE 4**

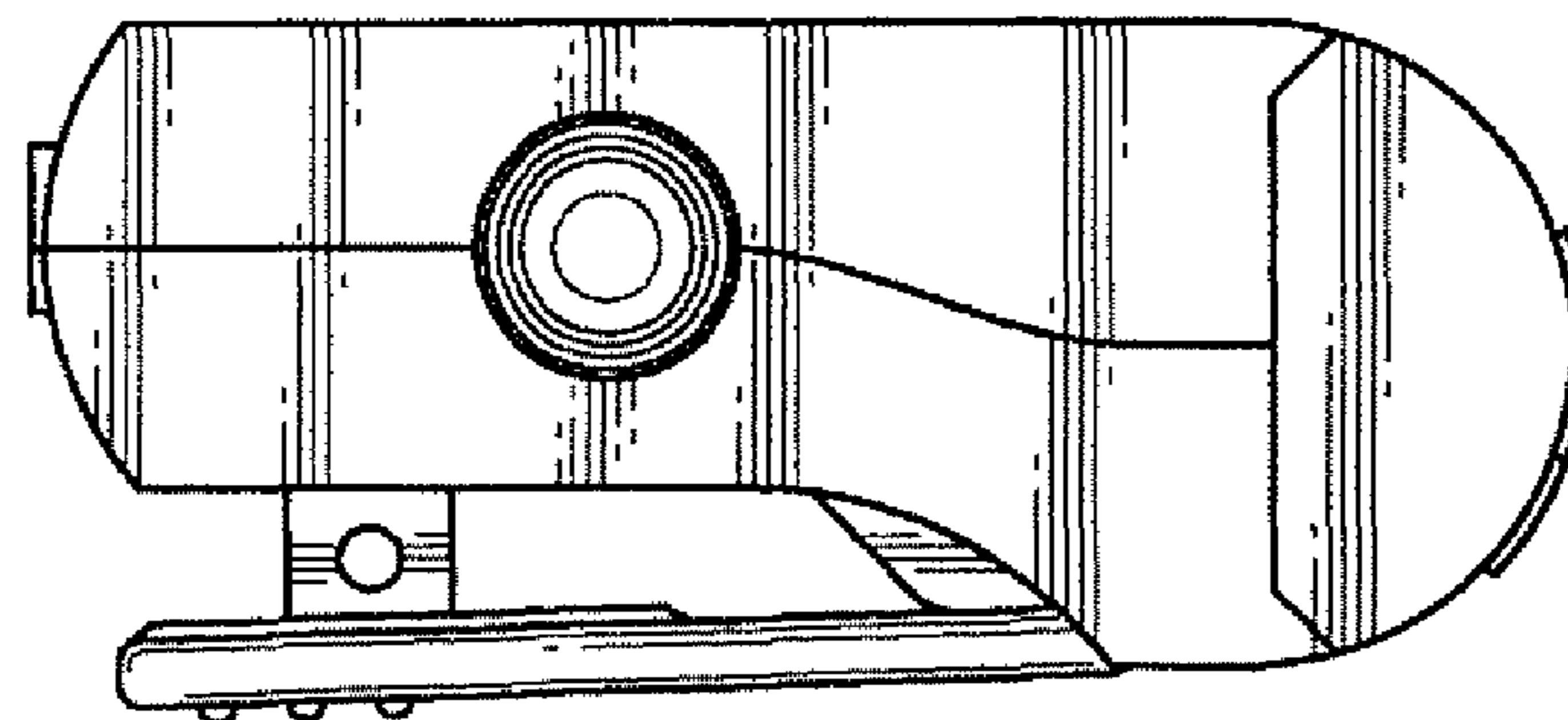


FIGURE 5

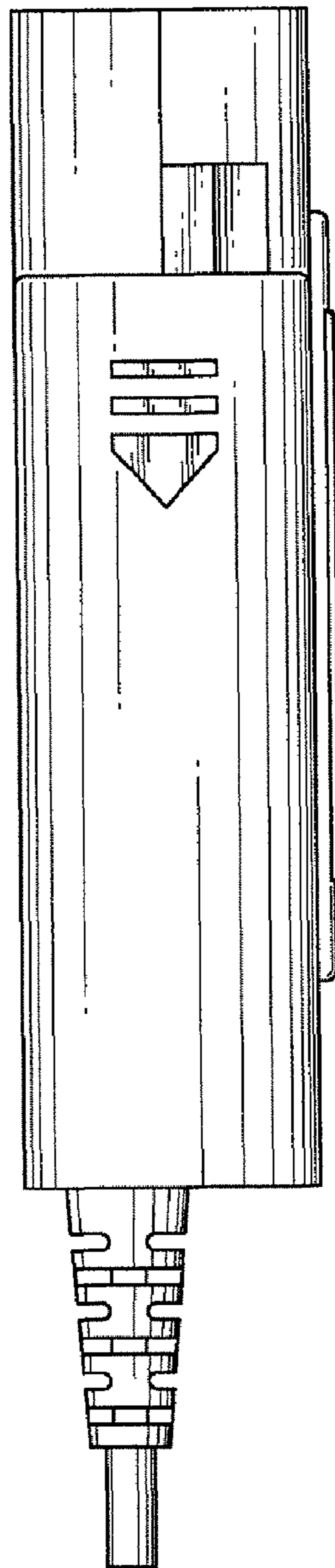




FIGURE 6

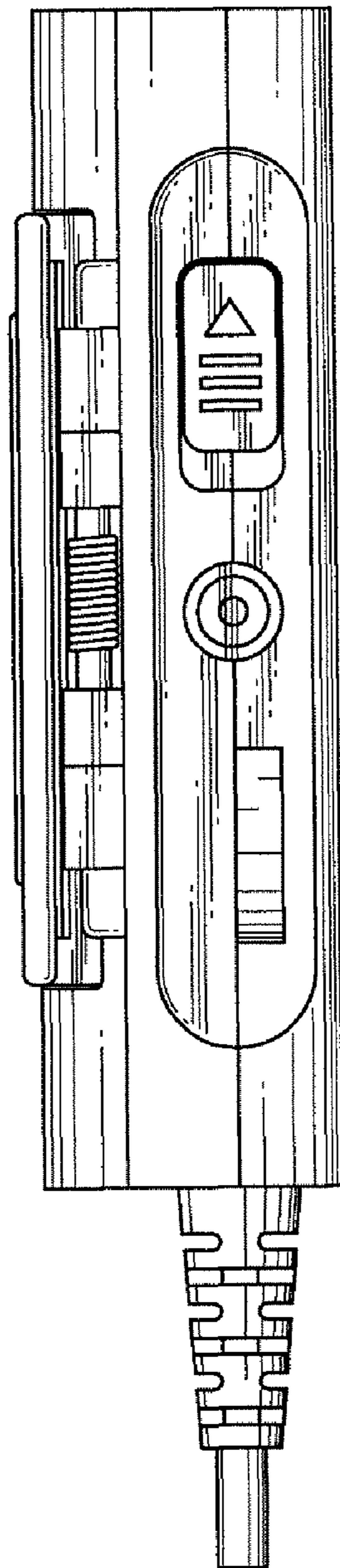


FIGURE 7

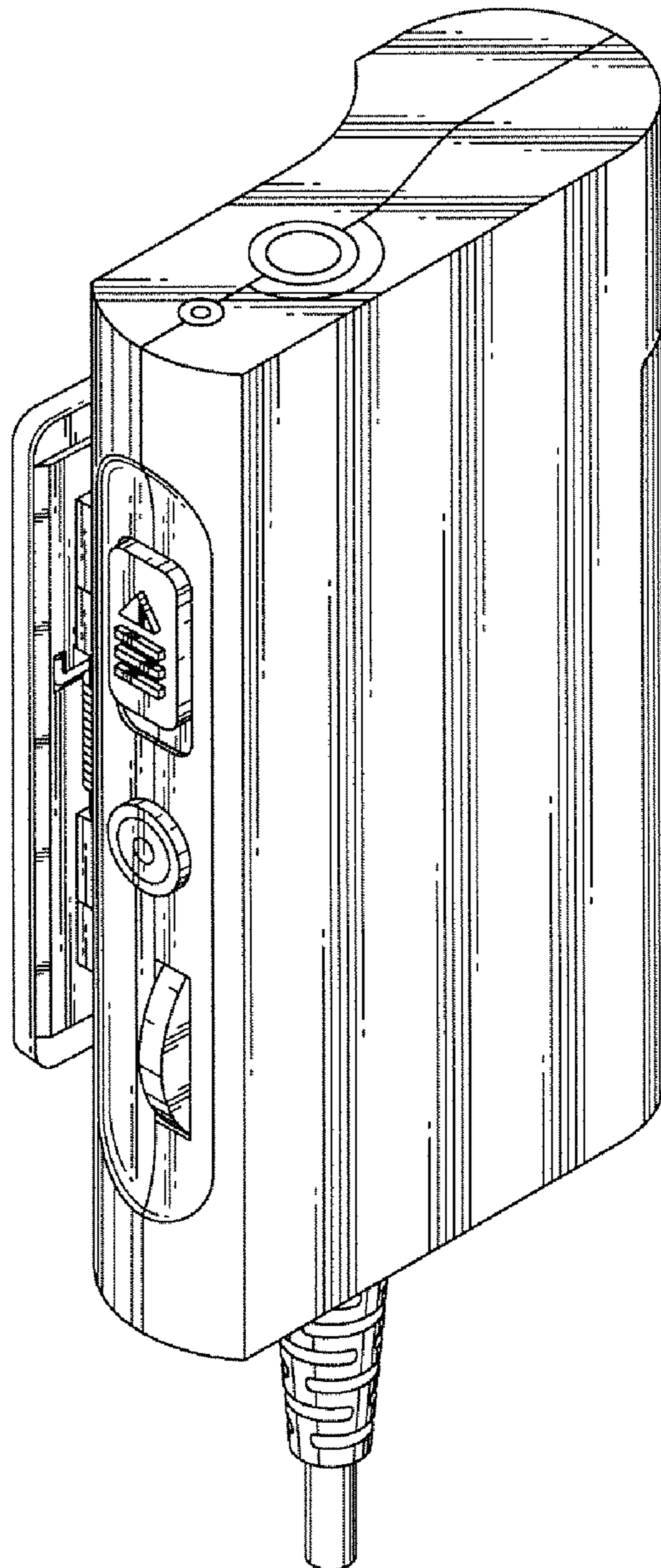


FIGURE 8

