



US00D627329S

(12) **United States Design Patent**  
**Ryu et al.**

(10) **Patent No.:** **US D627,329 S**  
(45) **Date of Patent:** **\*\* Nov. 16, 2010**

(54) **AUDIO**

(75) Inventors: **Dai Hyung Ryu**, Gyeonggi-do (KR); **He Won Kihl**, Seoul (KR); **Tae Ho Kim**, Seoul (KR)

(73) Assignee: **LG Electronics Inc.**, Seoul (KR)

(\*\*) Term: **14 Years**

(21) Appl. No.: **29/353,732**

(22) Filed: **Jan. 13, 2010**

(30) **Foreign Application Priority Data**

Jul. 27, 2009 (KR) ..... 30-2009-0033400

(51) **LOC (9) Cl.** ..... **14-01**

(52) **U.S. Cl.** ..... **D14/168; D14/499**

(58) **Field of Classification Search** ..... D14/496,  
D14/498-511, 167-168, 188, 193-198, 163;  
360/99.02, 99.07; 369/75.11, 75.21, 77.11,  
369/77.21; 720/601, 612, 619, 649, 655;  
455/344, 347-351

See application file for complete search history.

(56) **References Cited**

**U.S. PATENT DOCUMENTS**

5,146,618 A \* 9/1992 Wenner ..... 455/345

D339,345 S \* 9/1993 Fuke ..... D14/505  
D365,822 S \* 1/1996 Ito et al. .... D14/168  
D430,136 S \* 8/2000 Hattori et al. .... D14/168  
D468,718 S \* 1/2003 Cuvelier ..... D14/168  
D542,264 S \* 5/2007 Amid-Hozour ..... D14/168

\* cited by examiner

*Primary Examiner*—Nanda Bondade

(74) *Attorney, Agent, or Firm*—Birch, Stewart, Kolasch & Birch, LLP

(57) **CLAIM**

The ornamental design for an audio, as shown and described.

**DESCRIPTION**

FIG. 1 is a top, front, perspective view of an audio showing our new design;

FIG. 2 is a front view thereof;

FIG. 3 is a rear view thereof;

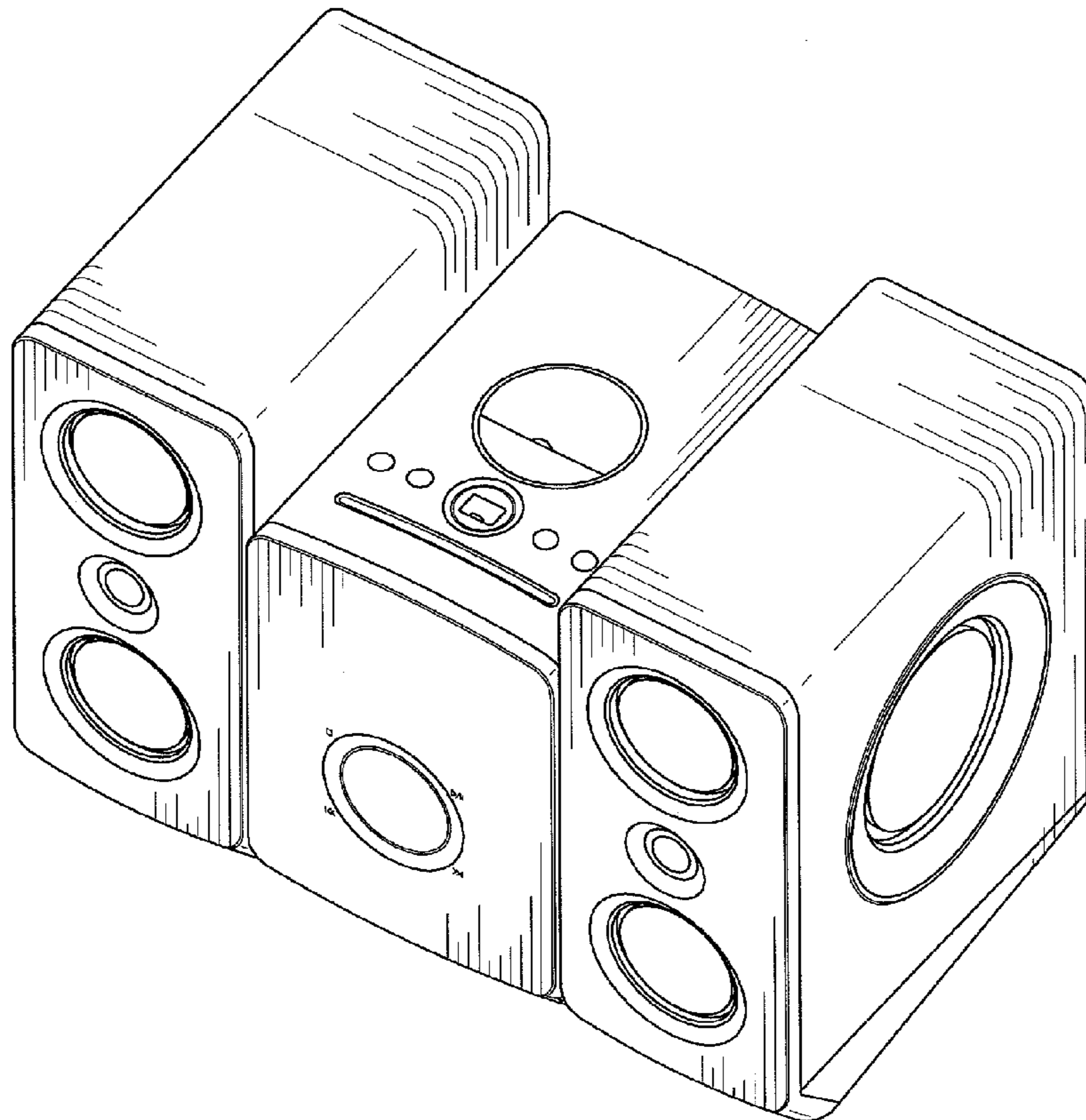
FIG. 4 is a left side view thereof;

FIG. 5 is a right side view thereof;

FIG. 6 is a top plan view thereof; and,

FIG. 7 is a bottom plan view thereof.

**1 Claim, 7 Drawing Sheets**



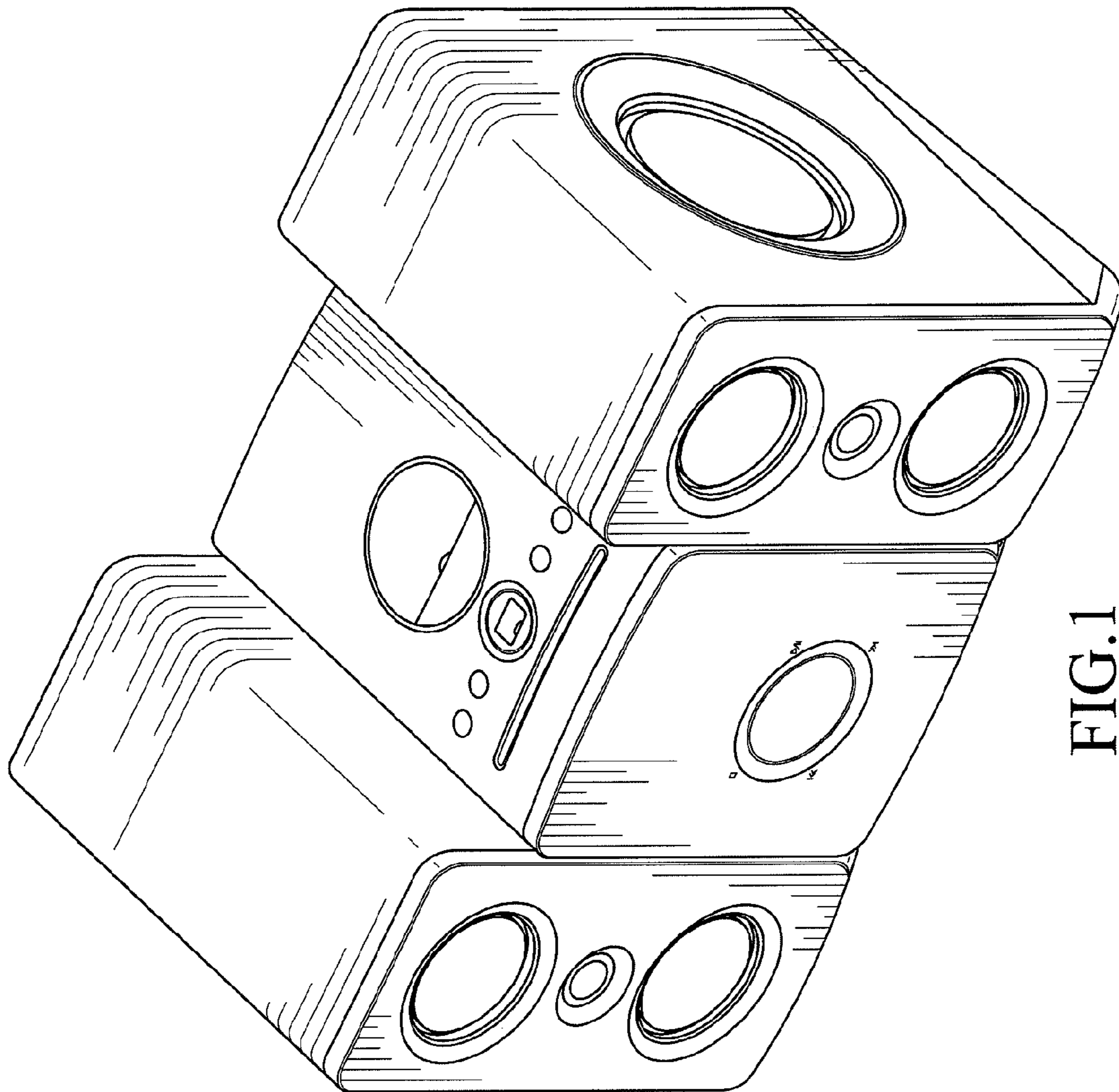


FIG. 1

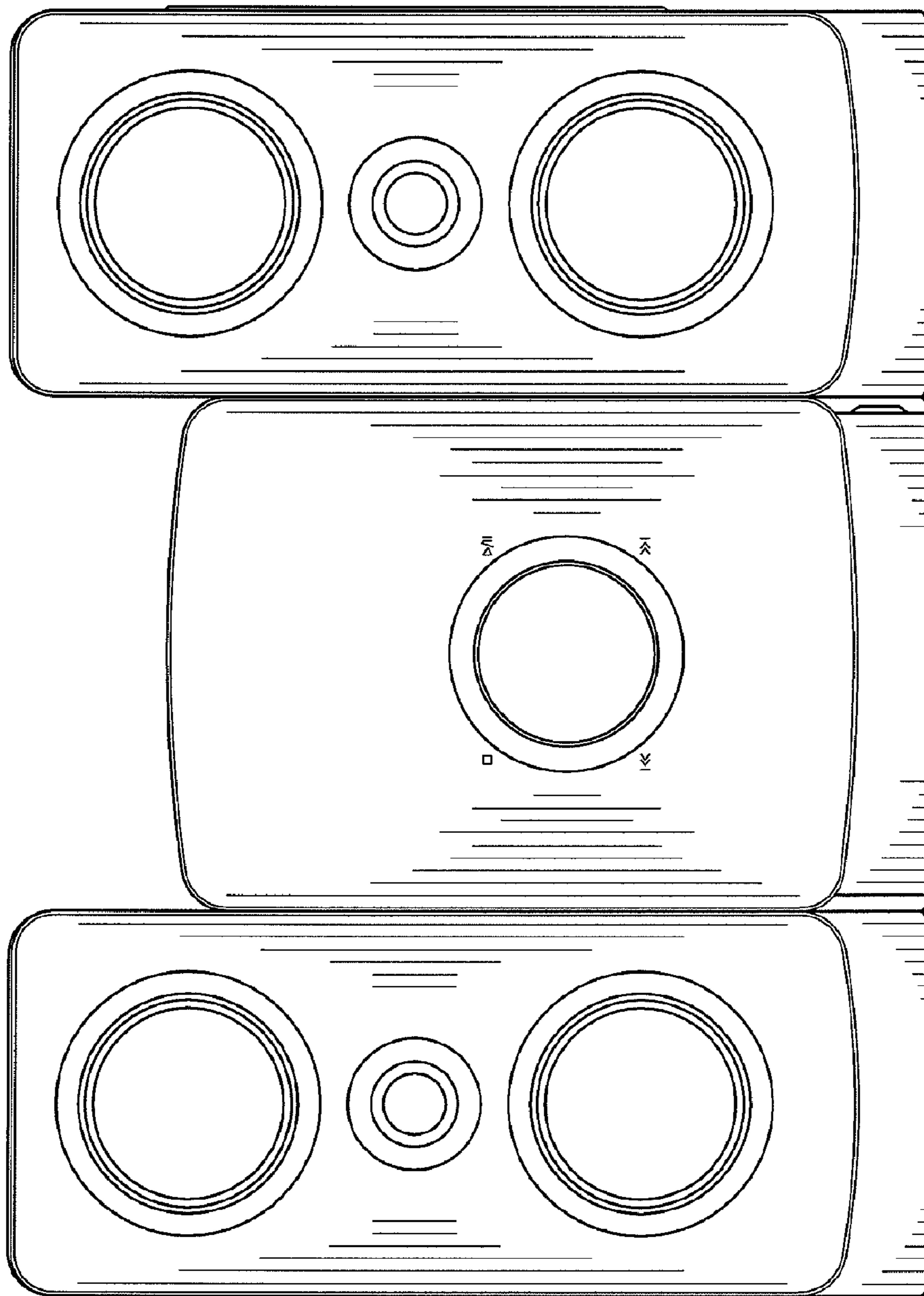


FIG. 2

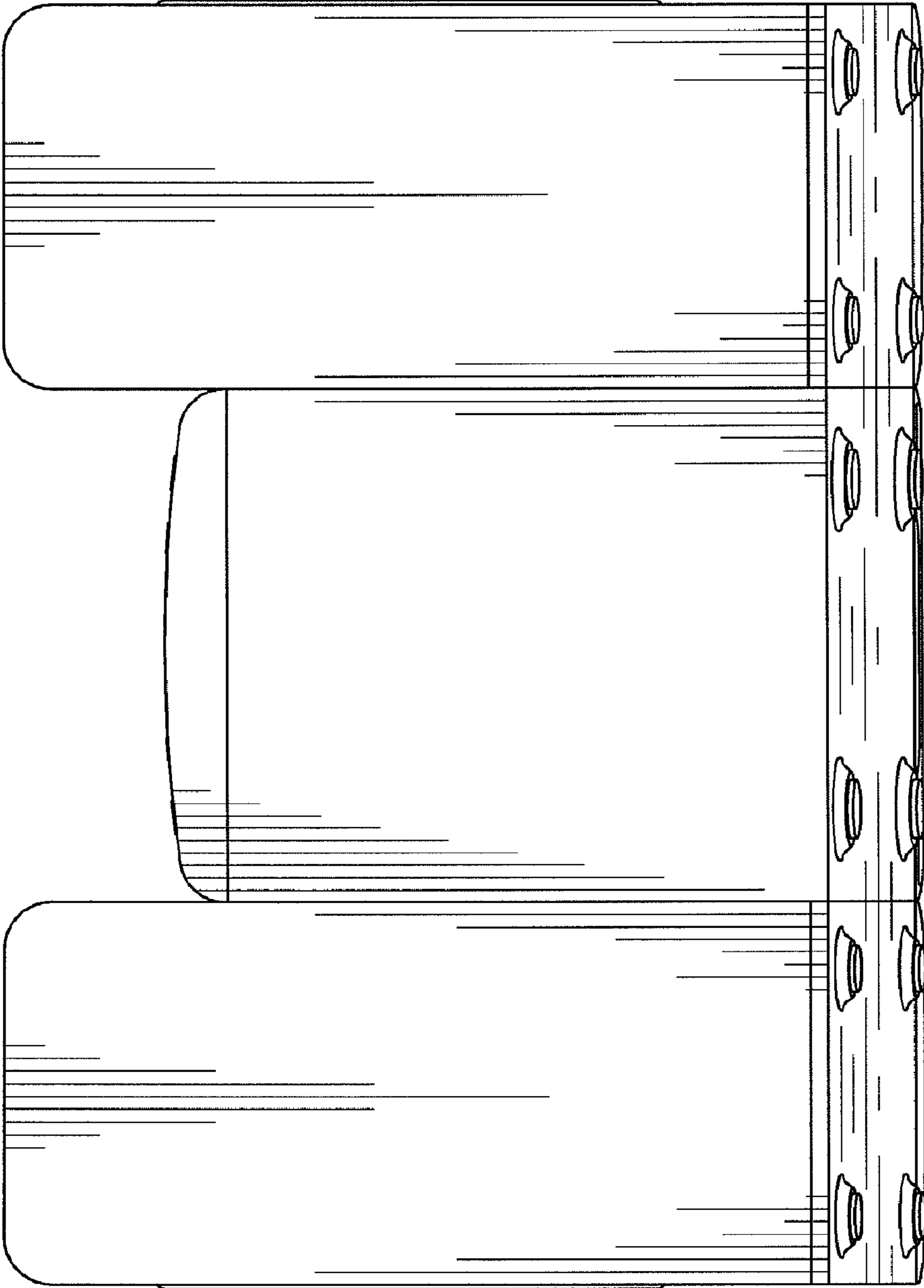


FIG.3

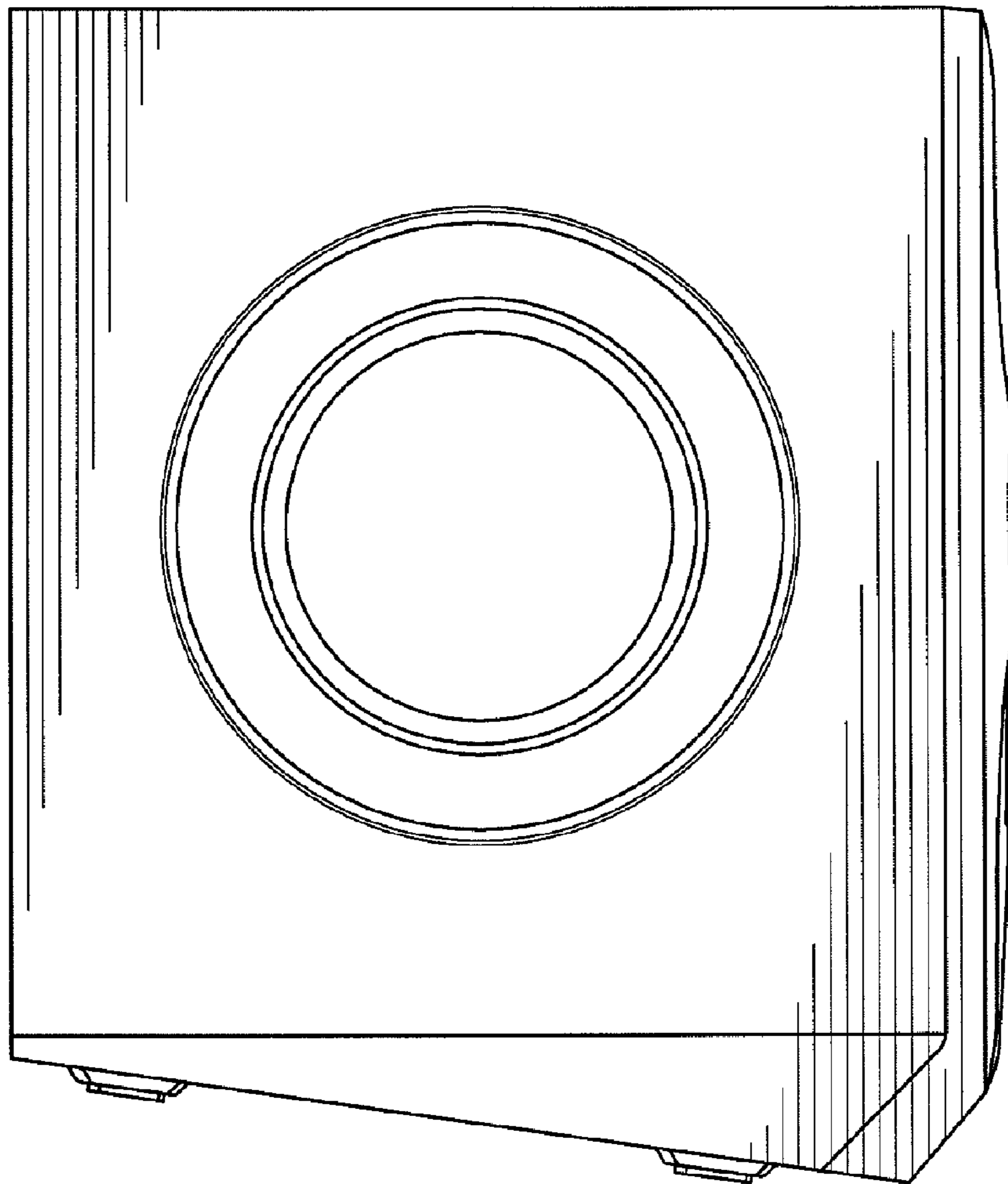


FIG.4

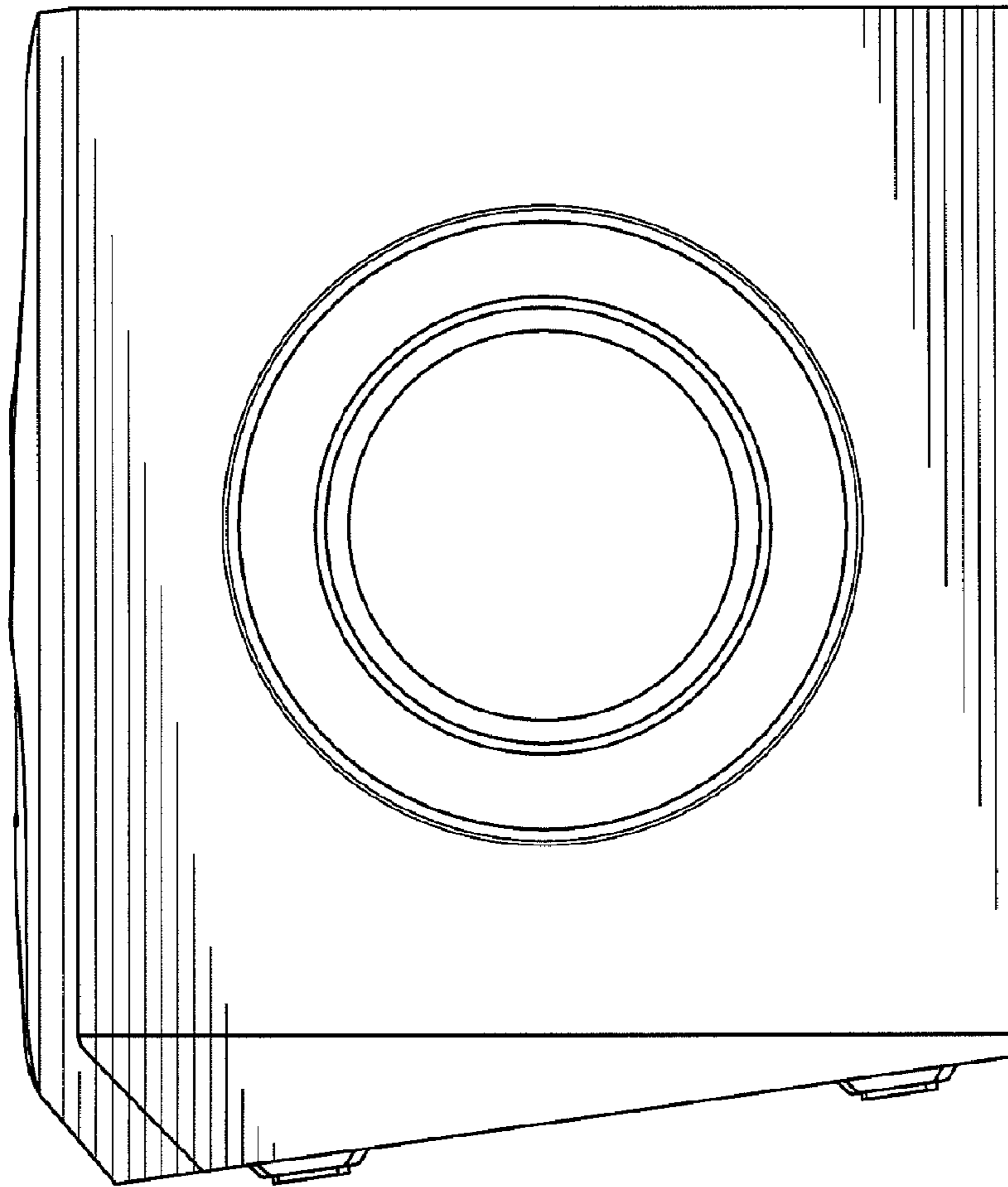


FIG.5

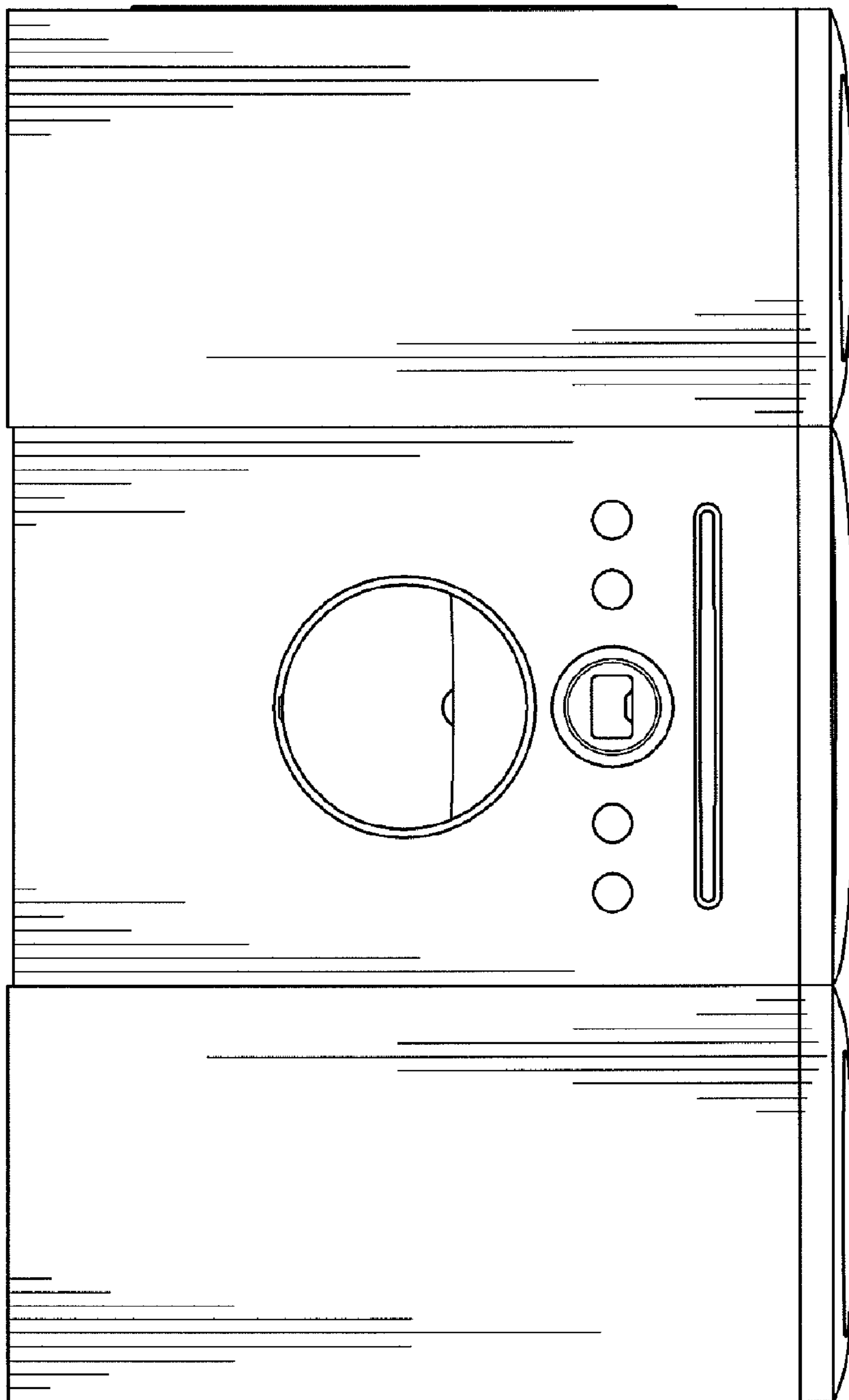


FIG.6

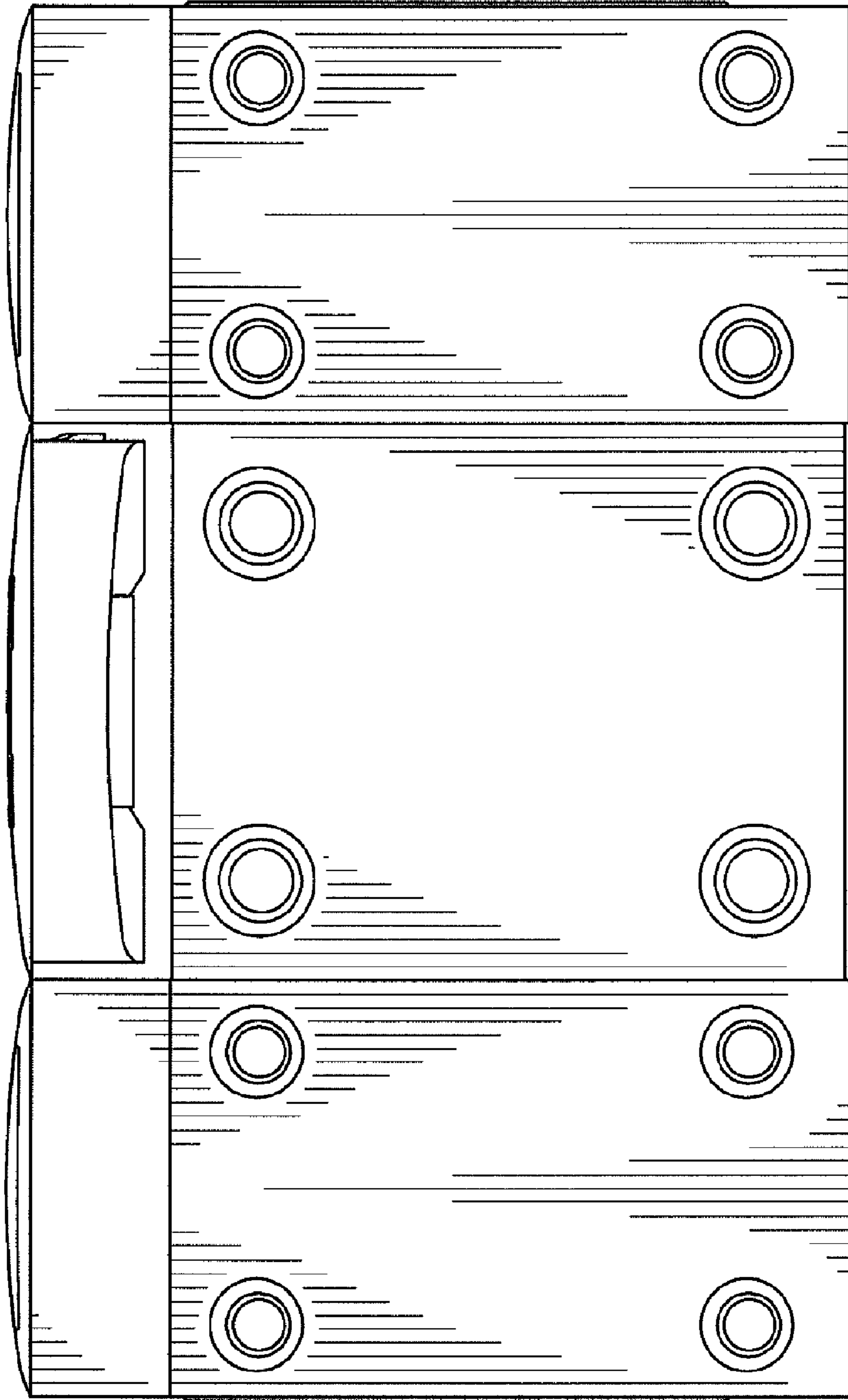


FIG.7