



US00D627321S

(12) **United States Design Patent**
Ardinghi et al.

(10) **Patent No.:** **US D627,321 S**
(45) **Date of Patent:** **** Nov. 16, 2010**

(54) **COMMUNICATION DEVICE**

Primary Examiner—Jeffrey D Asch

(75) Inventors: **Maria Beatriz Ardinghi**, Campinas (BR); **William H. Robertson, Jr.**, Fort Lauderdale, FL (US); **Claudio Santiago Ribeiro**, Evanston, IL (US); **John M. Miller**, Grayslake, IL (US)

(57) **CLAIM**

The ornamental design for a communication device, as shown and described.

(73) Assignee: **Motorola Mobility, Inc.**, Libertyville, IL (US)

DESCRIPTION

(**) Term: **14 Years**

FIG. 1 is a perspective view of a first embodiment of an ornamental design for a communication device;

(21) Appl. No.: **29/337,631**

FIG. 2 is a front view of the first embodiment thereof;

(22) Filed: **May 27, 2009**

FIG. 3 is a rear view of the first embodiment thereof;

(51) **LOC (9) Cl.** **14-03**

FIG. 4 is a first side view of the first embodiment thereof;

(52) **U.S. Cl.** **D14/138 AB**

FIG. 5 is a second side view of the first embodiment thereof;

(58) **Field of Classification Search** D14/138 AB,
D14/496, 341, 345, 346, 203.3, 203.4, 203.7;
455/575.3; D21/517; 379/433.13

FIG. 6 is a top view of the first embodiment thereof;

FIG. 7 is a bottom view of the first embodiment thereof.

See application file for complete search history.

FIG. 8 is a perspective view of a second embodiment of an ornamental design for a communication device;

(56) **References Cited**

FIG. 9 is a front view of the second embodiment thereof;

U.S. PATENT DOCUMENTS

FIG. 10 is a rear view of the second embodiment thereof;

| | | | | | | |
|----------|---|---|---------|-------------------|-------|------------|
| D489,699 | S | * | 5/2004 | Hwang et al. | | D14/138 AB |
| D496,635 | S | * | 9/2004 | Lodato et al. | | D14/138 AA |
| D506,736 | S | * | 6/2005 | Lodato et al. | | D14/138 AB |
| D519,969 | S | * | 5/2006 | Sutherland et al. | ... | D14/138 AB |
| D553,598 | S | * | 10/2007 | Yoshihara | | D14/138 AB |
| D555,615 | S | * | 11/2007 | Lodato et al. | | D14/138 AB |

FIG. 11 is a first side view of the second embodiment thereof;

FIG. 12 is a second side view of the second embodiment thereof;

FIG. 13 is a top view of the second embodiment thereof; and,

FIG. 14 is a bottom view of the second embodiment thereof.

(Continued)

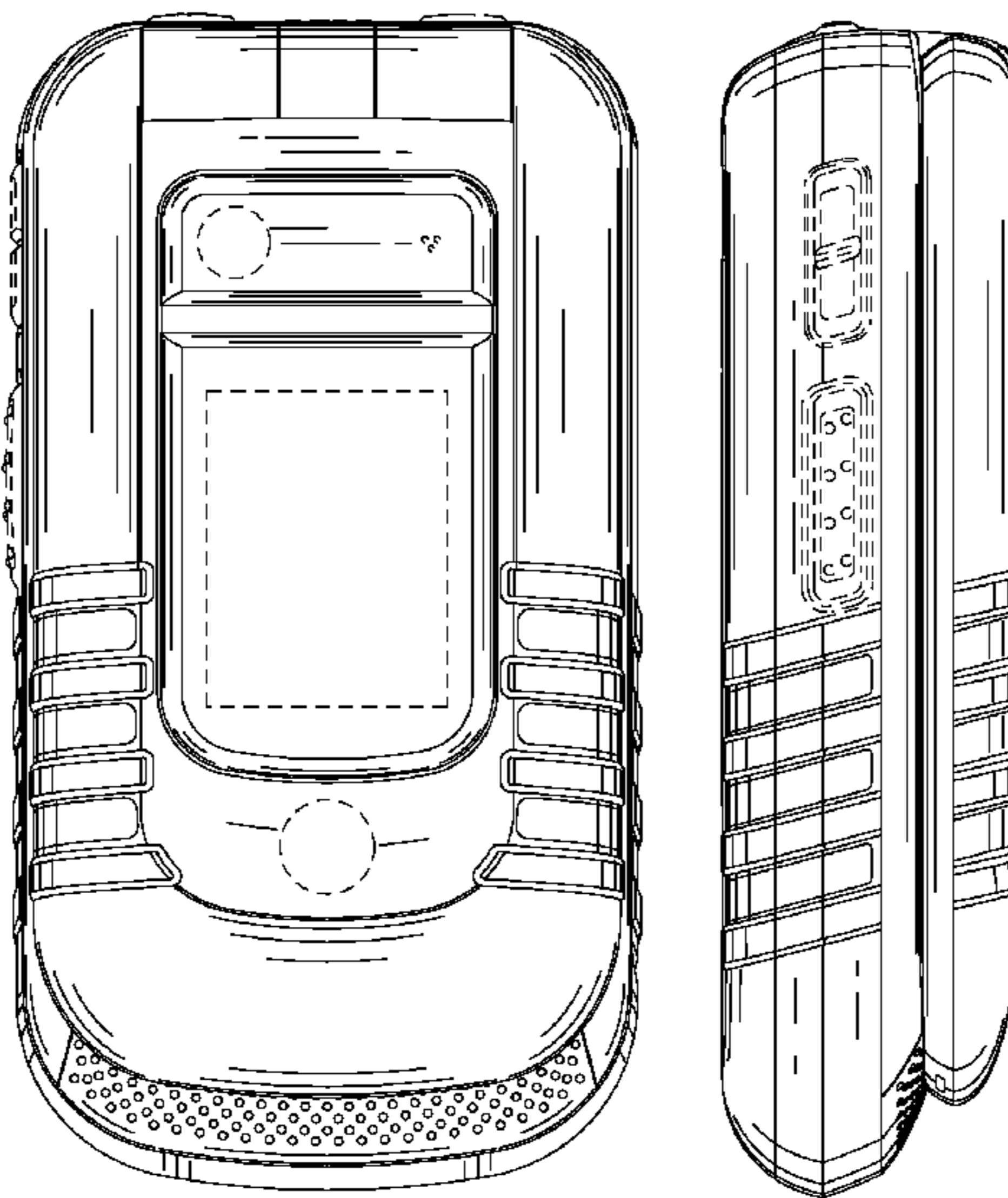
The broken lines shown in FIGS. 1-7 that are immediately adjacent to the shaded areas, and define unshaded regions, represent the bounds of the first embodiment, while all other broken lines are directed to environment and are for illustrative purposes only; the broken lines form no part of the first embodiment.

OTHER PUBLICATIONS

Motorola V1100 telephone, announced Mar. 2007, [online], [site visited Jun. 18, 2010]. Available from Internet, <URL: <http://www.gsmarena.com>>.*

(Continued)

1 Claim, 8 Drawing Sheets



US D627,321 S

Page 2

U.S. PATENT DOCUMENTS

D556,723 S * 12/2007 Lee D14/138 AB
D557,670 S * 12/2007 Park et al. D14/138 AB
D559,212 S * 1/2008 Alfthan D14/138 AB
D565,019 S * 3/2008 Klemettila et al. ... D14/138 AB
D573,968 S * 7/2008 Chen et al. D14/138 AB
D575,758 S * 8/2008 Nilsen et al. D14/138 AB
D579,895 S * 11/2008 Yoshihara et al. D14/138 AB
D583,787 S * 12/2008 Kim et al. D14/138 AB
D585,863 S * 2/2009 Nilsen et al. D14/138 AB
D585,867 S * 2/2009 Lee D14/138 AB
D588,092 S * 3/2009 Nilsen et al. D14/138 AB
D590,795 S * 4/2009 Tkachuk D14/138 AB
D593,523 S * 6/2009 Neumann et al. D14/138 AB
D598,411 S * 8/2009 Chun D14/138 AB
D599,766 S * 9/2009 Page et al. D14/138 AB
D601,108 S * 9/2009 Boucquey et al. D14/138 AB
D615,943 S * 5/2010 Kang et al. D14/138 AB

2007/0004475 A1* 1/2007 Kuo et al. 455/575.3

OTHER PUBLICATIONS

Nokia 6131 telephone, announced Feb. 2006, [online], [site visited Jun. 18, 2010]. Available from Internet ,<URL: <http://www.gsmarena.com>>.*

Samsung Z300 telephone, announced 1st quarter 2005, [online], [site visited Jun. 18, 2010]. Available from Internet ,<URL: <http://www.gsmarena.com>>.*

Sharp GX40 telephone, announced 2nd quarter 2005, [online], [site visited Jun. 18, 2010]. Available from Internet ,<URL: <http://www.gsmarena.com>>.*

LG U8550 telephone, announced Feb. 2006, [online], [site visited Jun. 18, 2010]. Available from Internet ,<URL: <http://www.gsmarena.com>>.*

Samsung A837 Rugby telephone, announced Sep. 2008, [online], [site visited Jun. 18, 2010]. Available from Internet ,<URL: <http://www.gsmarena.com>>.*

* cited by examiner

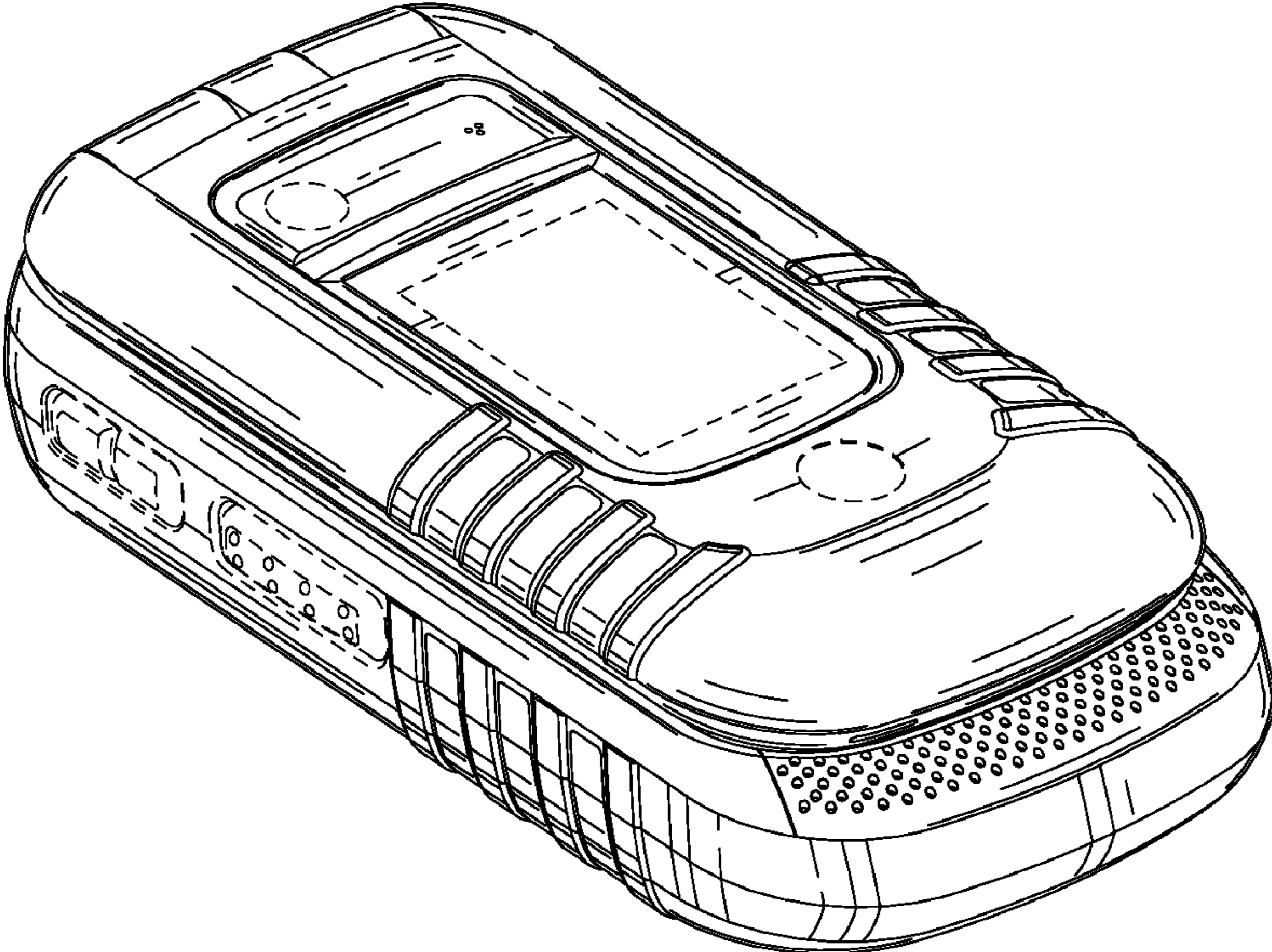


FIG. 1

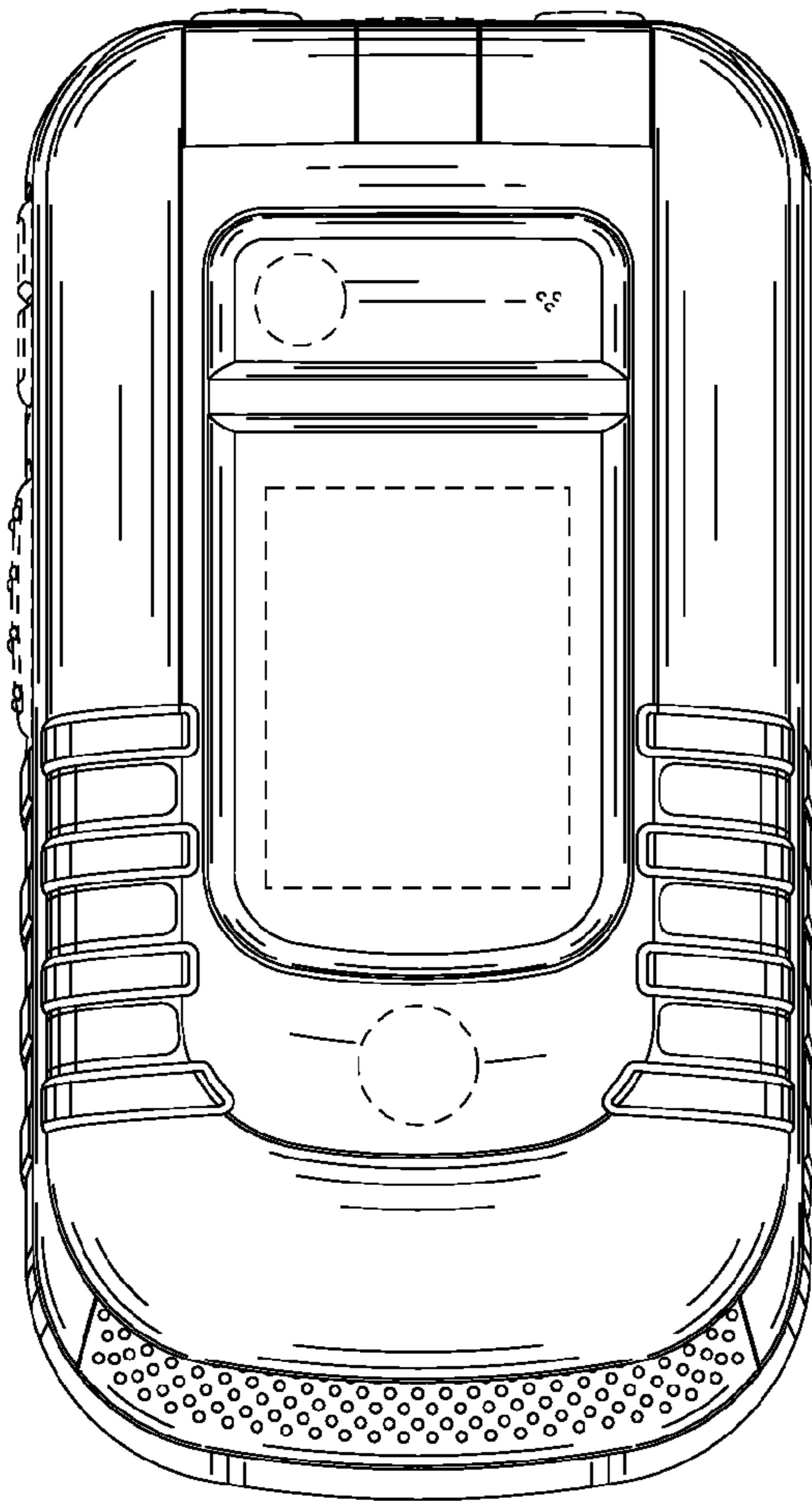


FIG. 2

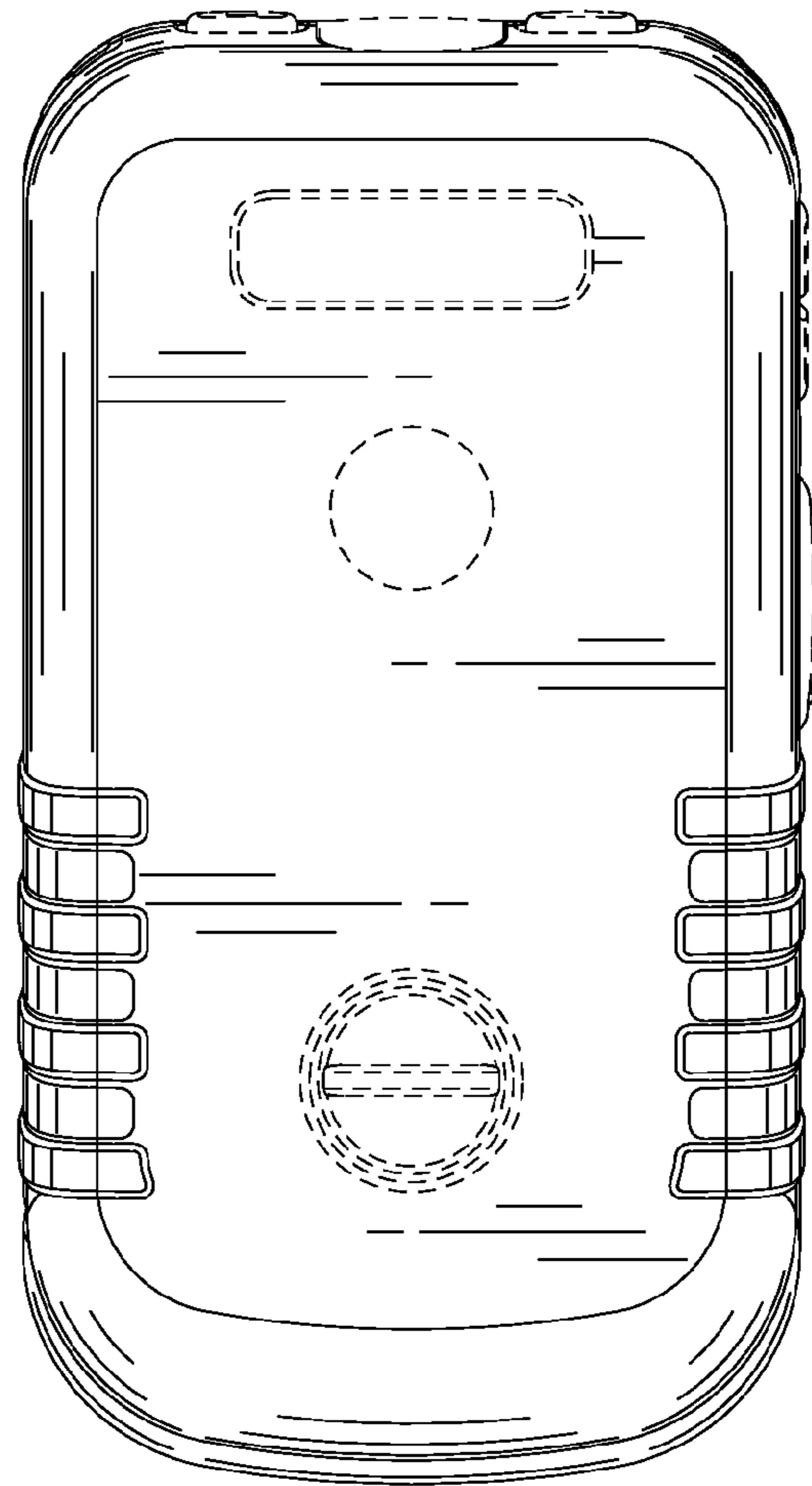


FIG. 3



FIG. 4



FIG. 5

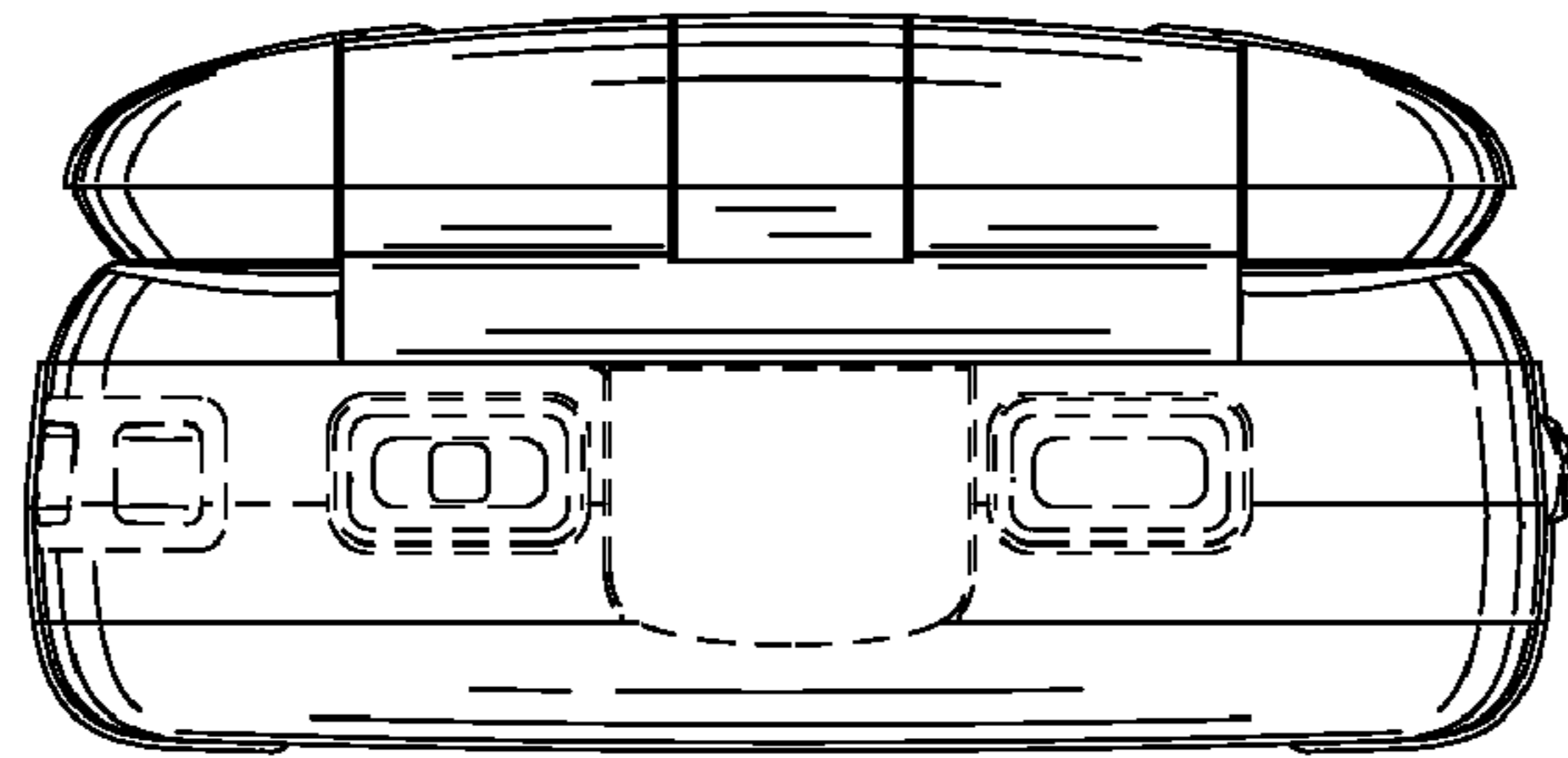


FIG. 6

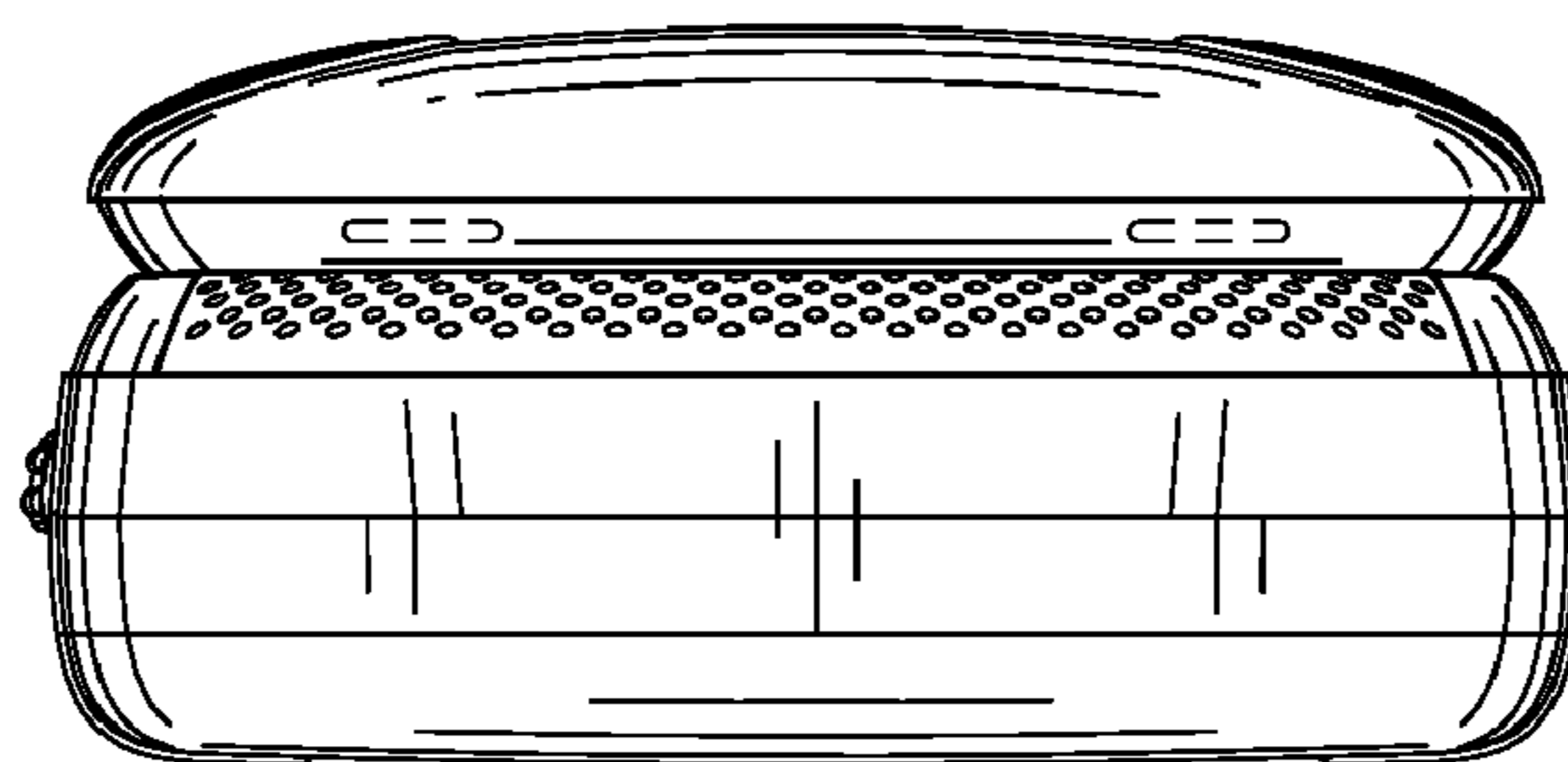


FIG. 7

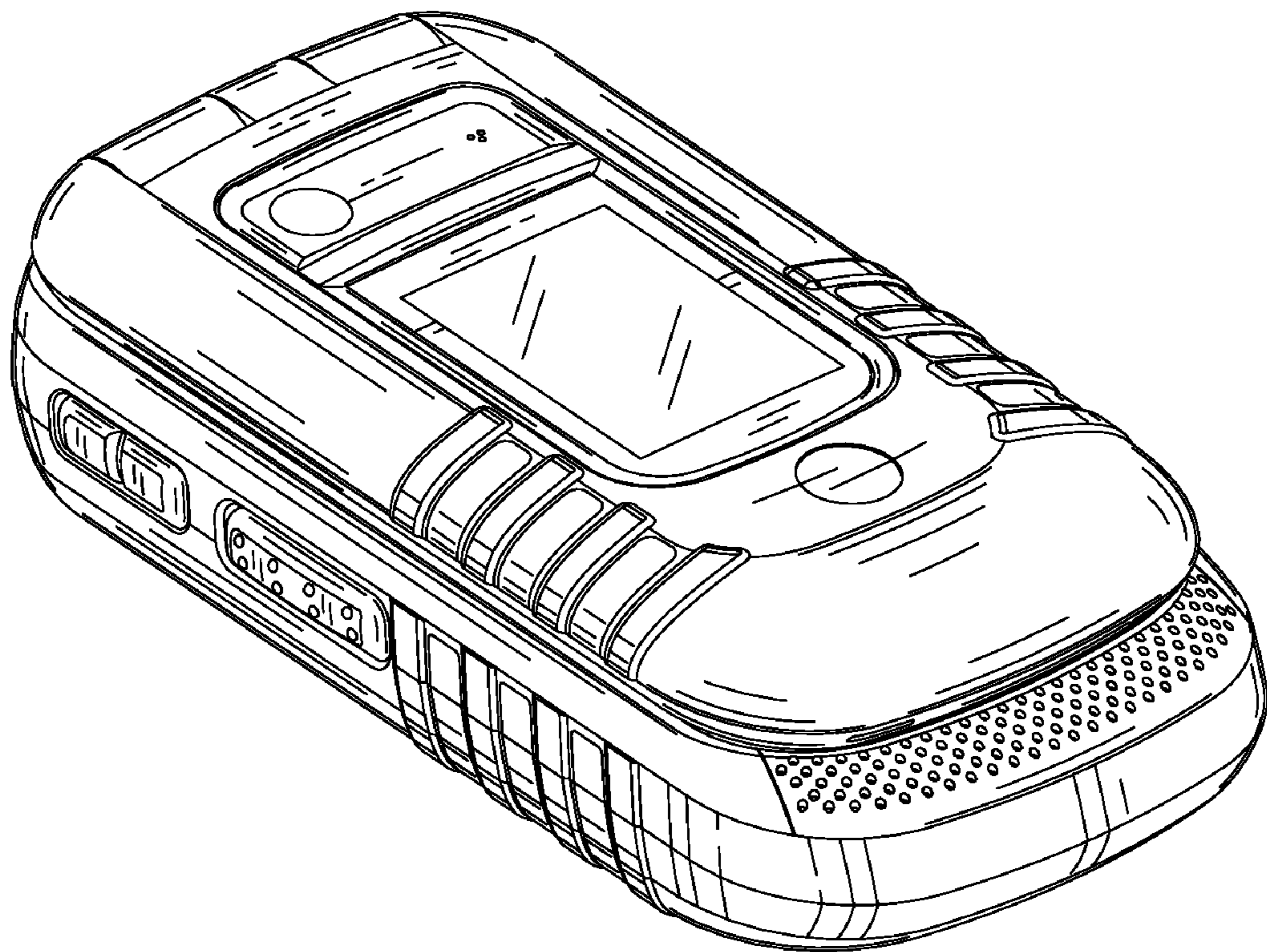


FIG. 8

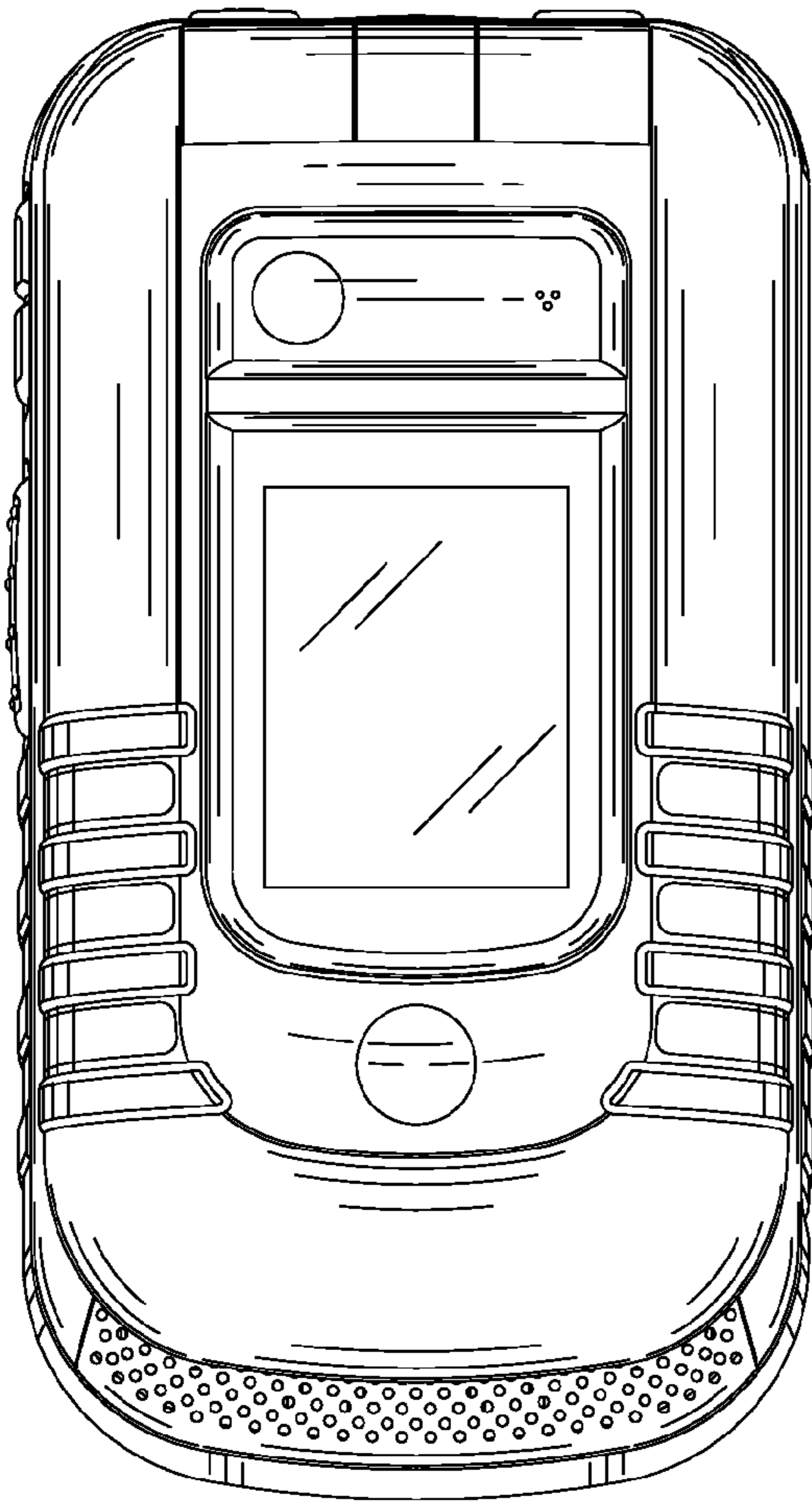


FIG. 9

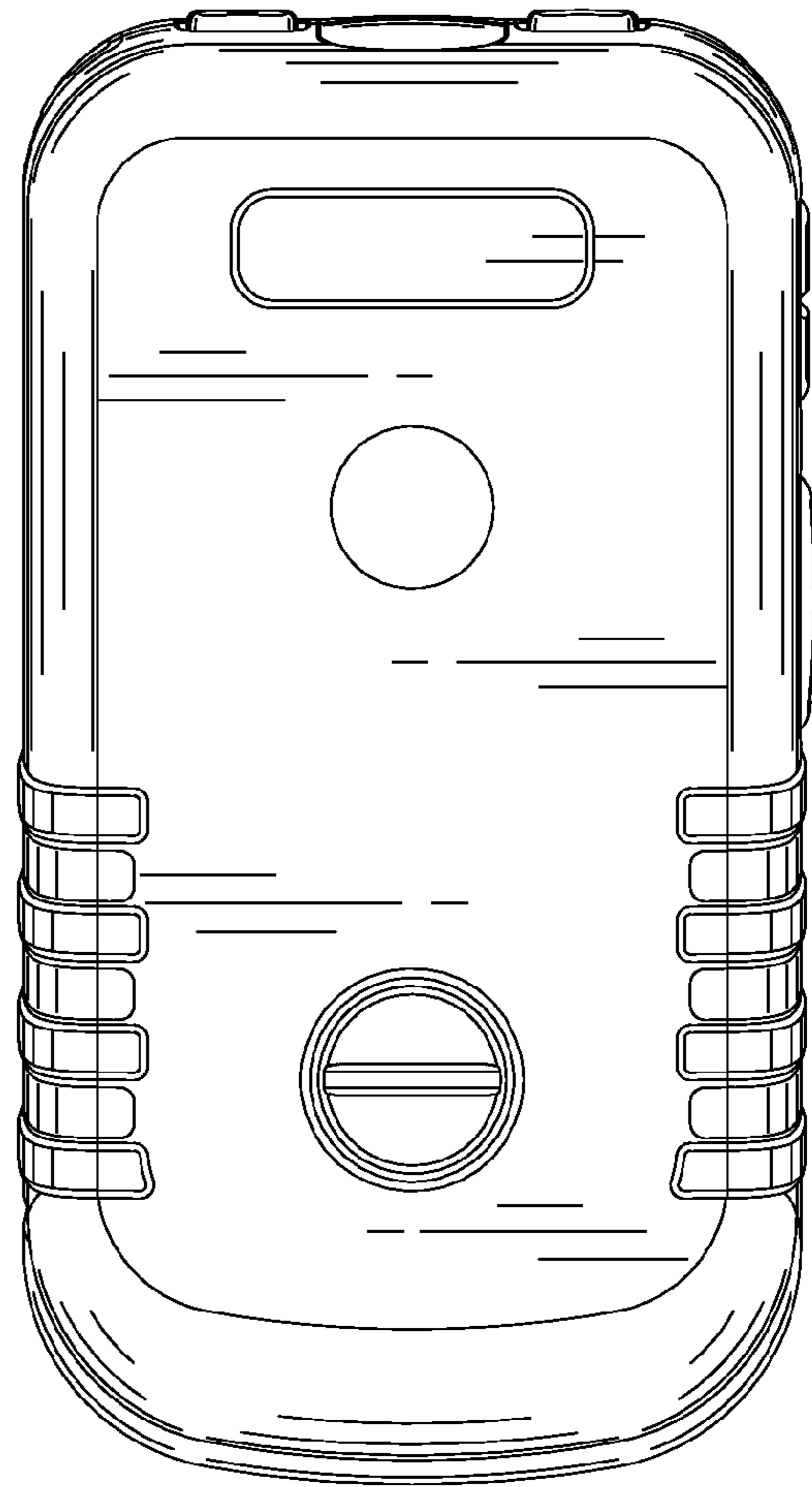


FIG. 10

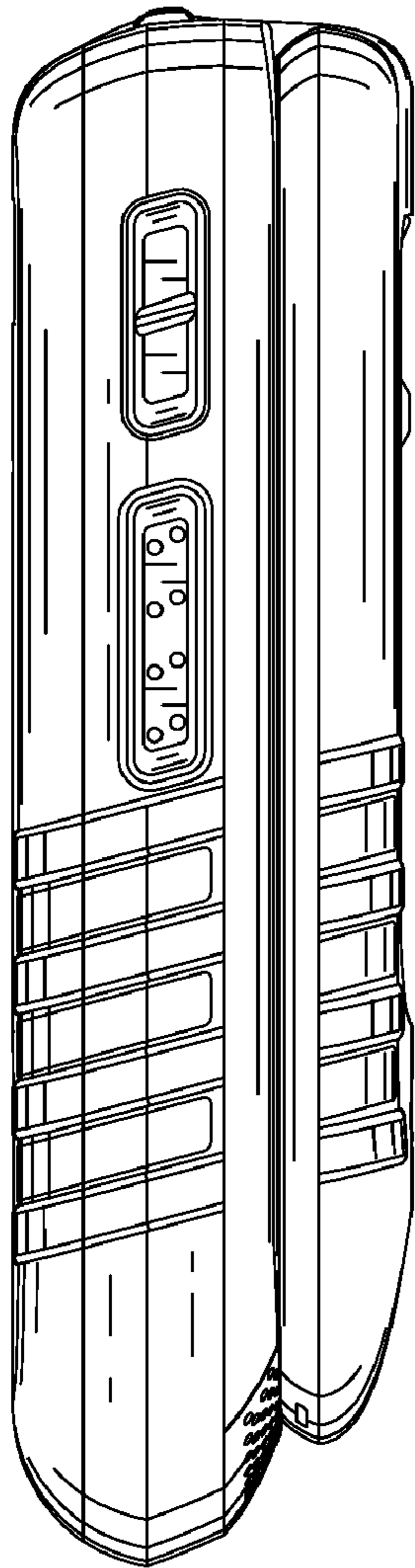


FIG. 11

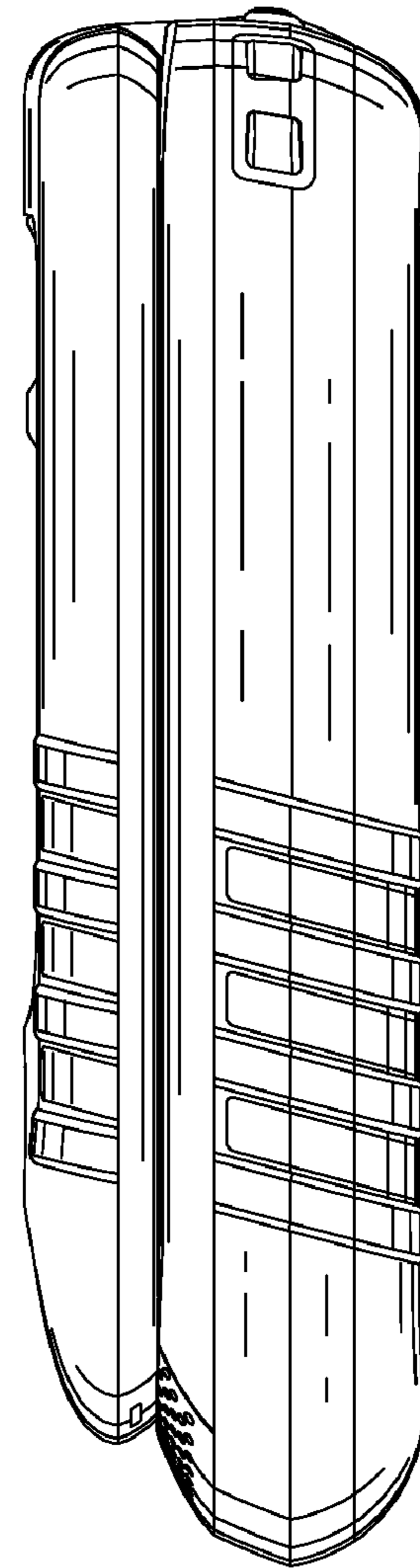


FIG. 12

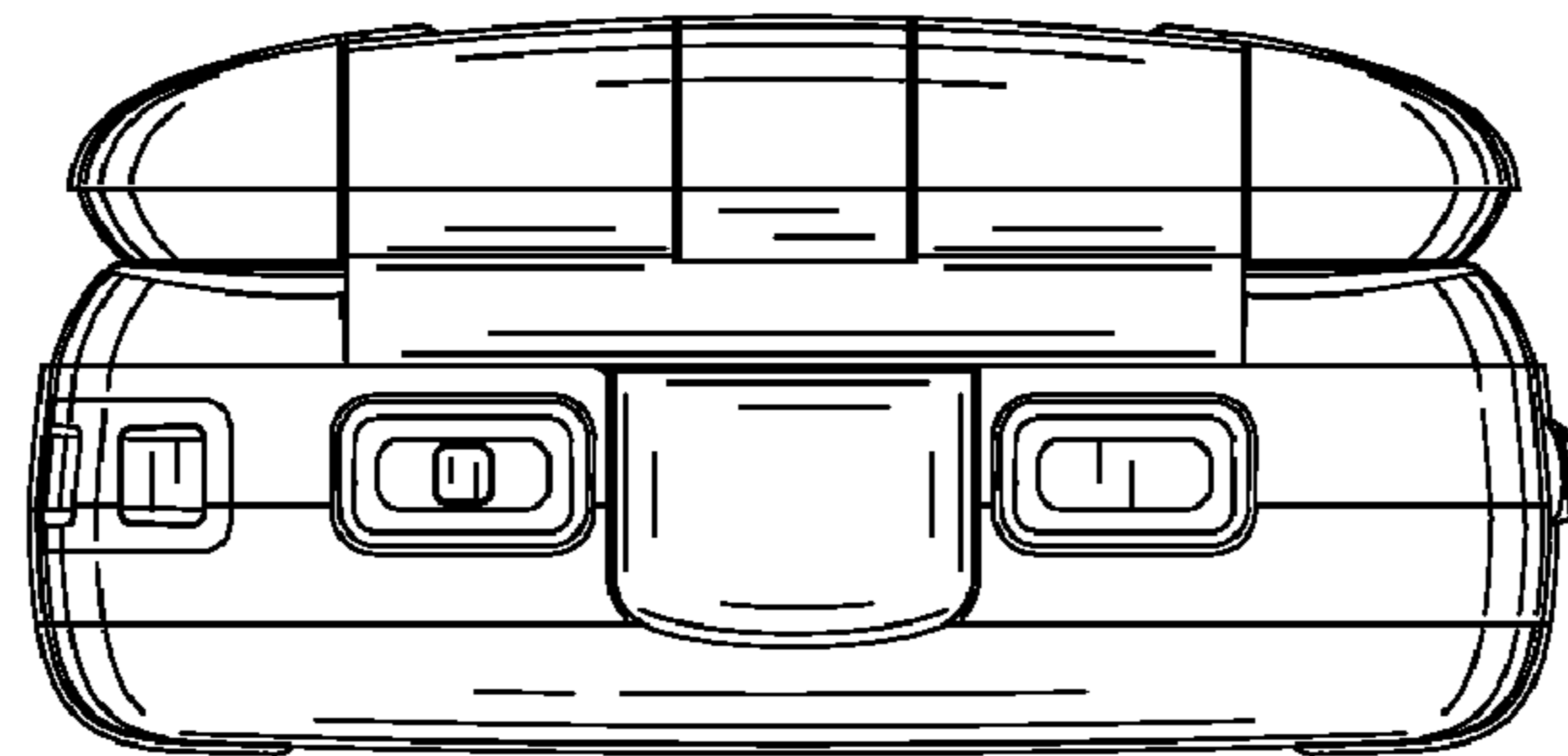


FIG. 13

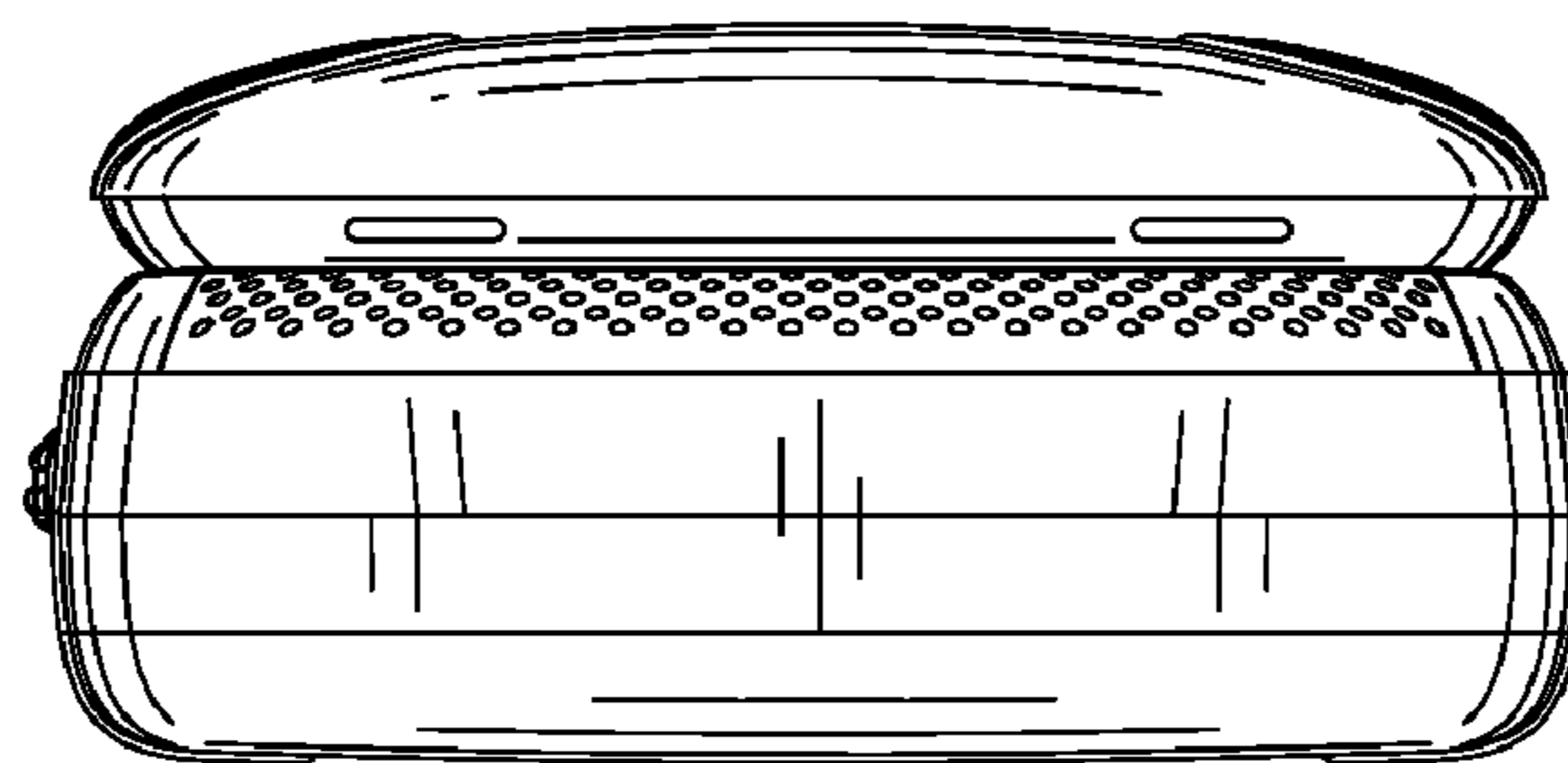


FIG. 14