



US00D627317S

(12) **United States Design Patent**
Gretz

(10) **Patent No.:** **US D627,317 S**
(45) **Date of Patent:** **** Nov. 16, 2010**

(54) **WEATHERPROOF KEYPAD ENCLOSURE**

(75) Inventor: **Thomas J. Gretz**, Port St. Lucie, FL
(US)

(73) Assignee: **Arlington Industries, Inc.**, Scranton, PA
(US)

(**) Term: **14 Years**

(21) Appl. No.: **29/314,773**

(22) Filed: **Apr. 28, 2009**

Related U.S. Application Data

(63) Continuation-in-part of application No. 12/313,170,
filed on Nov. 18, 2008.

(51) **LOC (9) Cl.** **13-99**

(52) **U.S. Cl.** **D13/184**

(58) **Field of Classification Search** D14/315-318;
D3/319; D13/162, 184, 199; 174/50, 372;
200/302.1, 549; 312/100; 379/413.02; 220/3.8;
206/320, 576; 224/576

See application file for complete search history.

(56) **References Cited**

U.S. PATENT DOCUMENTS

- 3,912,348 A * 10/1975 Seymour 312/100
- 4,502,609 A * 3/1985 Christatos 220/3.8
- 4,791,258 A * 12/1988 Youtz et al. 200/302.1
- 4,890,318 A * 12/1989 Crane et al. 379/413.02
- D324,207 S * 2/1992 Nieves D13/184
- 5,226,540 A * 7/1993 Bradbury 206/576
- 5,272,297 A * 12/1993 Reichow et al. 200/549

- 5,565,656 A * 10/1996 Mottahed 174/372
- D400,512 S * 11/1998 Korhonen D13/184
- 5,857,568 A * 1/1999 Speirs 206/320
- 6,109,434 A * 8/2000 Howard, Jr. 206/320
- 6,179,144 B1 * 1/2001 Abroy et al. 220/3.8
- 6,659,319 B2 * 12/2003 Purpura 224/576
- 6,747,223 B2 * 6/2004 Hattori 200/302.1
- 7,060,921 B2 * 6/2006 Kubo 200/302.1
- 7,285,739 B1 * 10/2007 Chen 200/302.1
- 7,326,853 B2 * 2/2008 Fontana et al. 174/50

* cited by examiner

Primary Examiner—Freda S Nunn

(57) **CLAIM**

The ornamental design for a weatherproof keypad enclosure,
as shown and described.

DESCRIPTION

FIG. 1 is a perspective view of a weatherproof keypad enclosure with an open cover showing my new design;

FIG. 2 is a perspective view thereof with the cover closed;

FIG. 3 is a front view thereof;

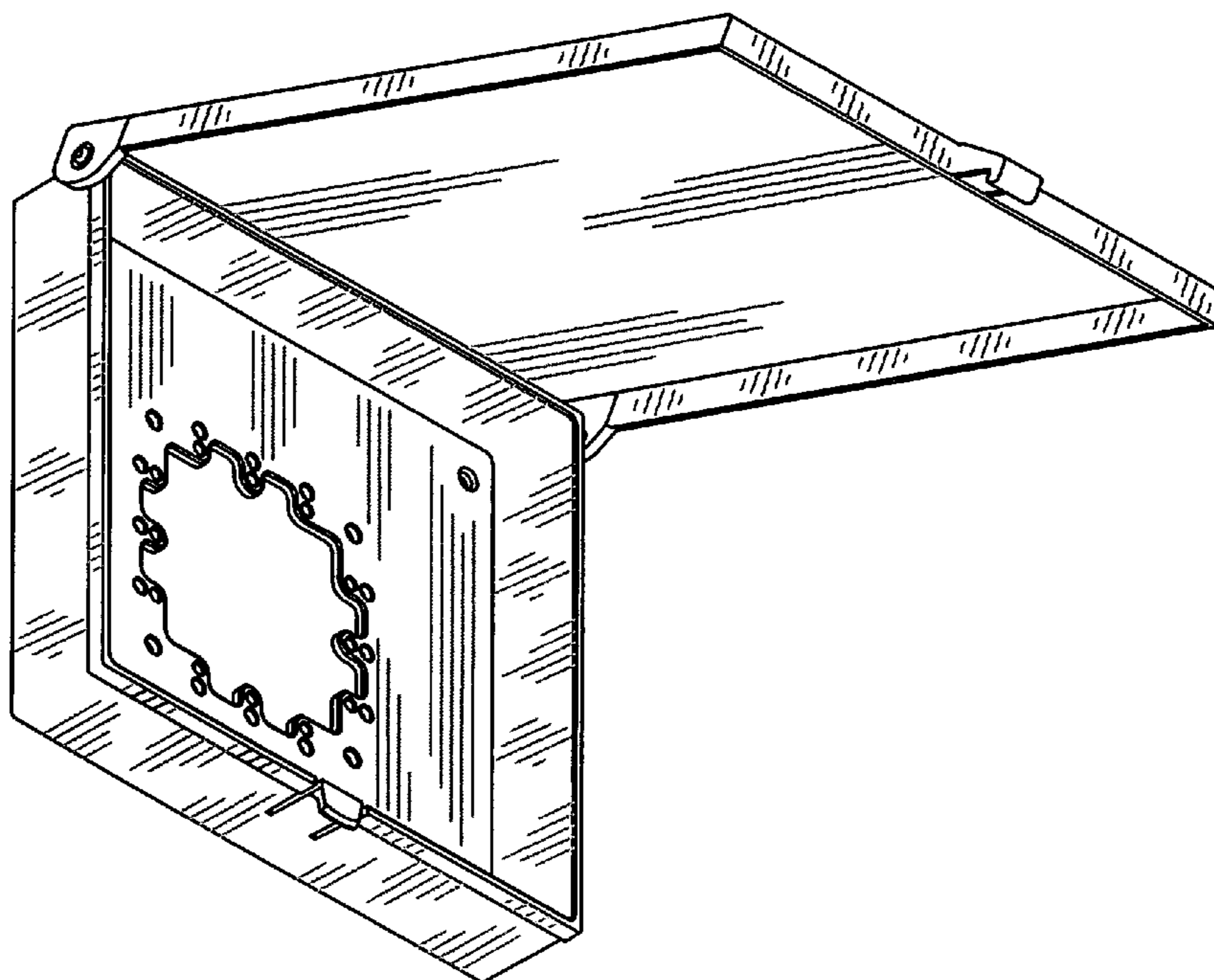
FIG. 4 is a rear view thereof;

FIG. 5 is a side view of the enclosure as viewed from the top side of FIG. 3;

FIG. 6 is a side view of the enclosure as viewed from the bottom side of FIG. 3; and,

FIG. 7 is a side view of the enclosure as viewed from the left side of FIG. 3.

1 Claim, 5 Drawing Sheets



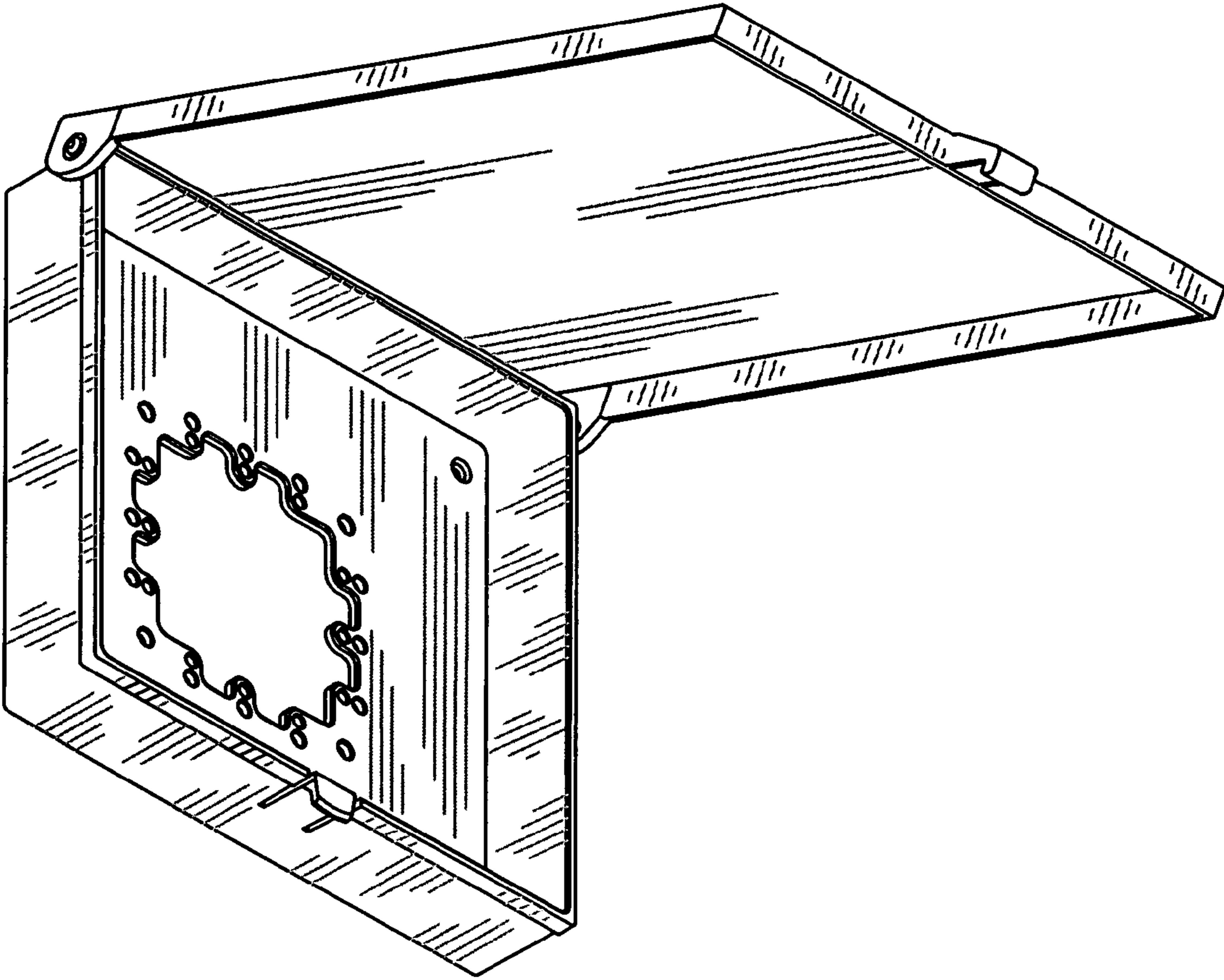


Fig. 1

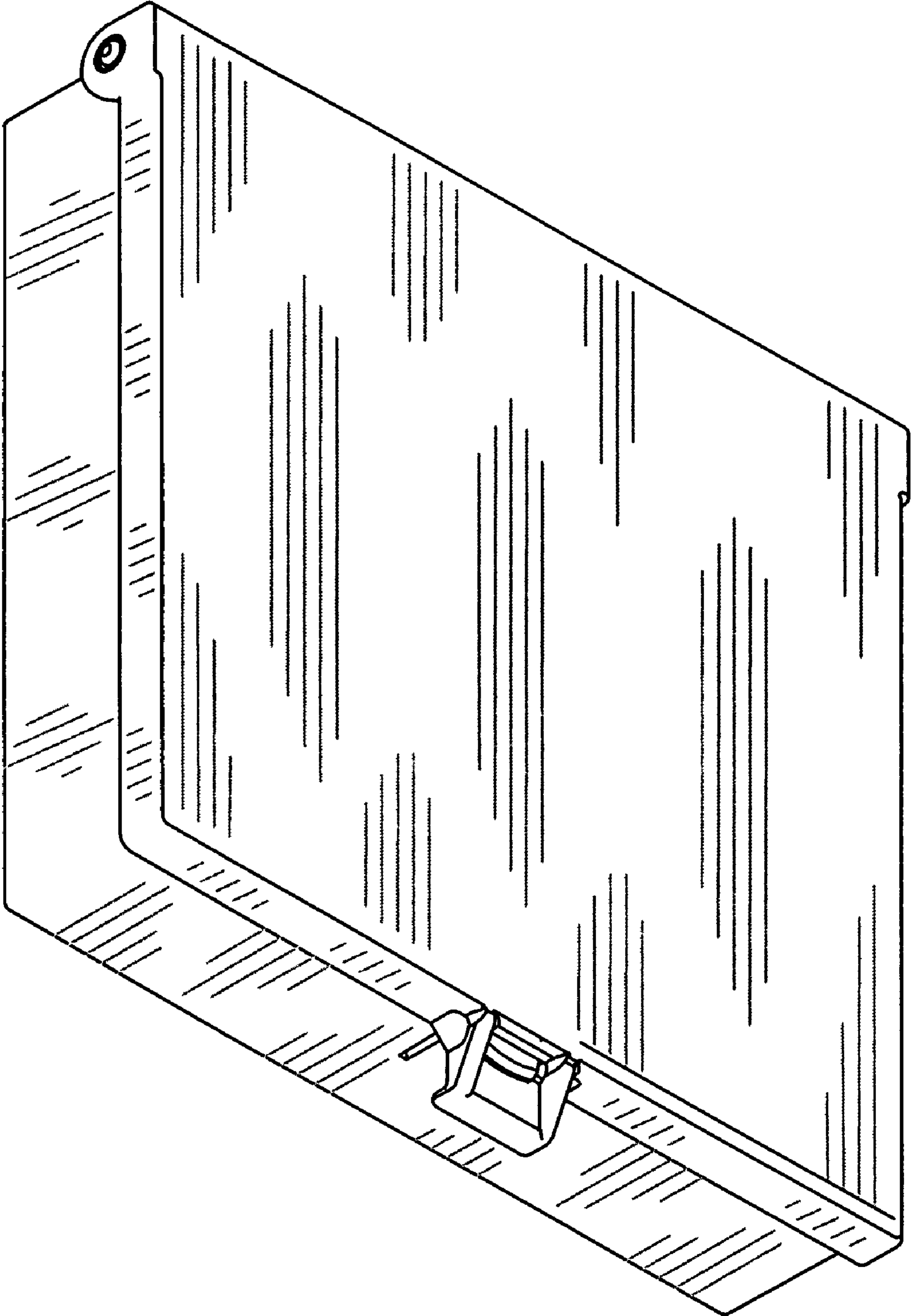


Fig. 2

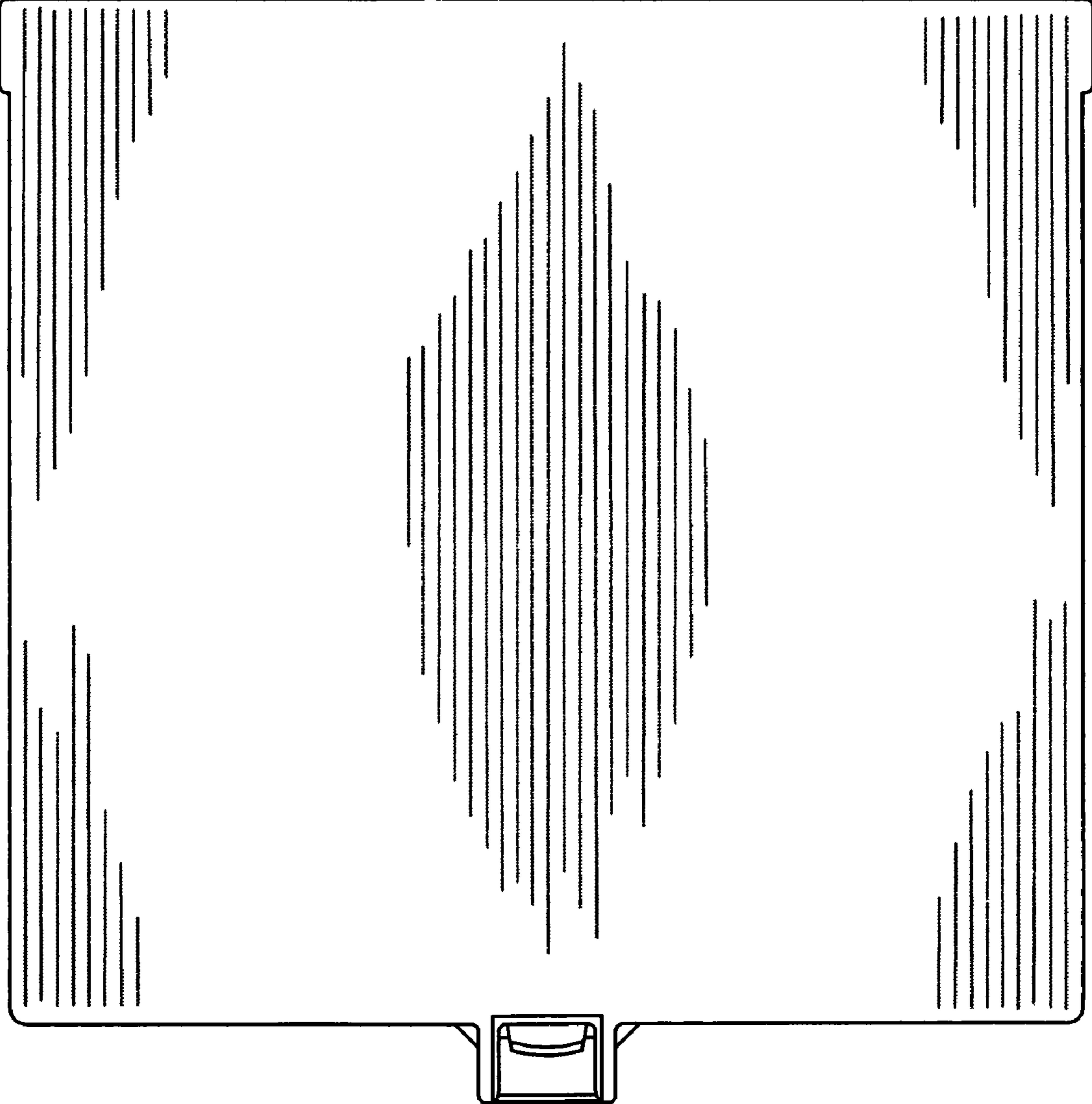


Fig. 3

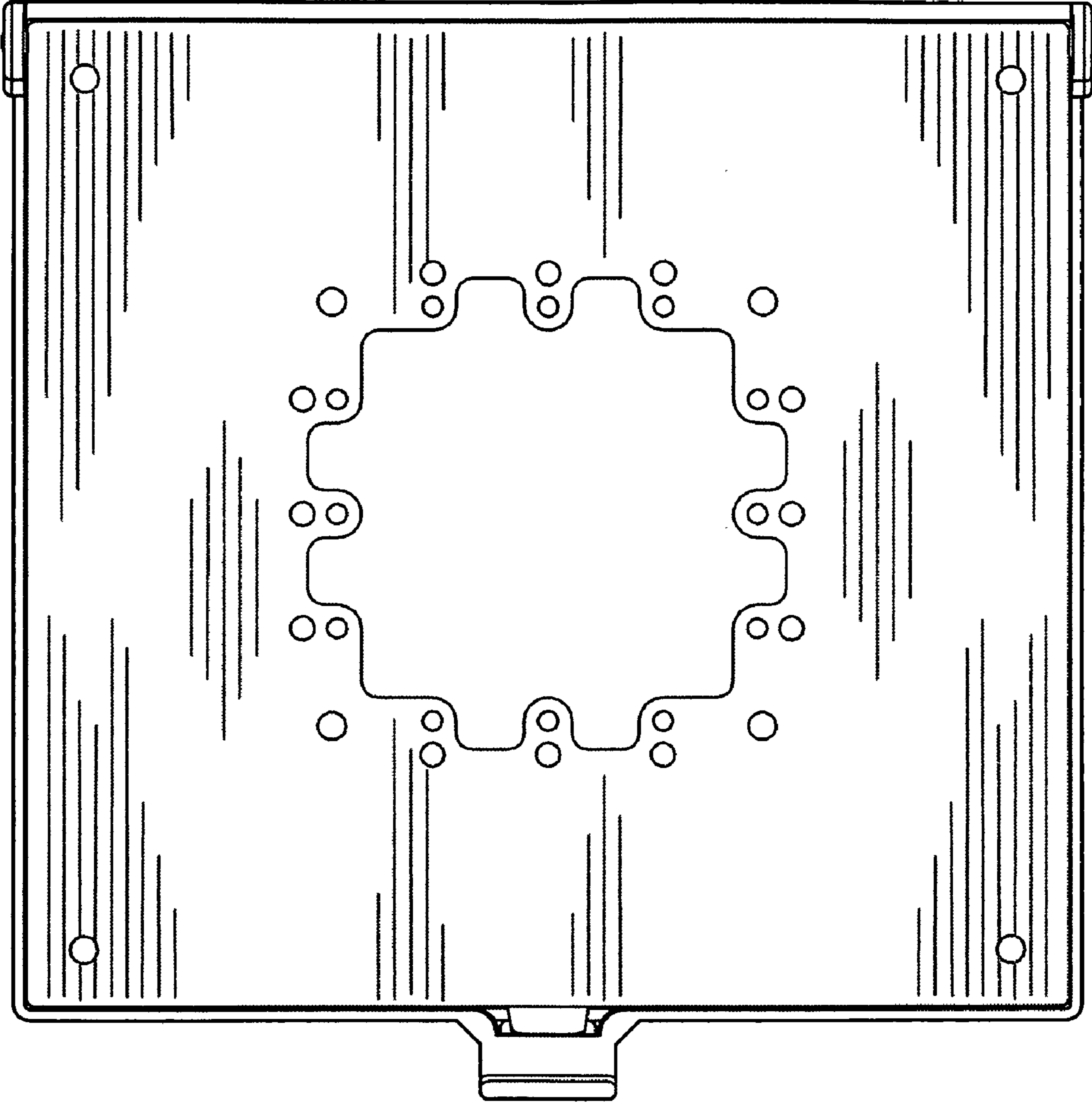


Fig. 4

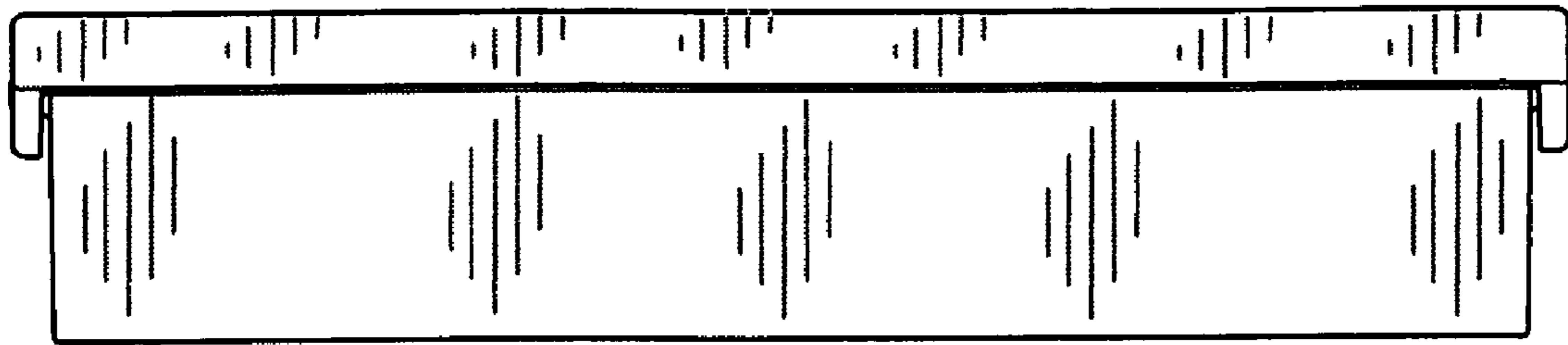


Fig. 5

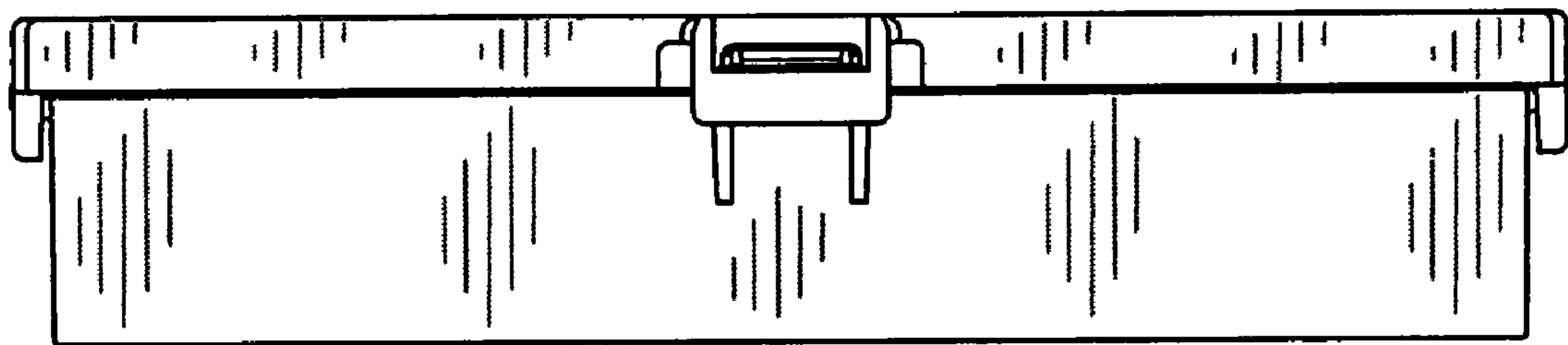


Fig. 6

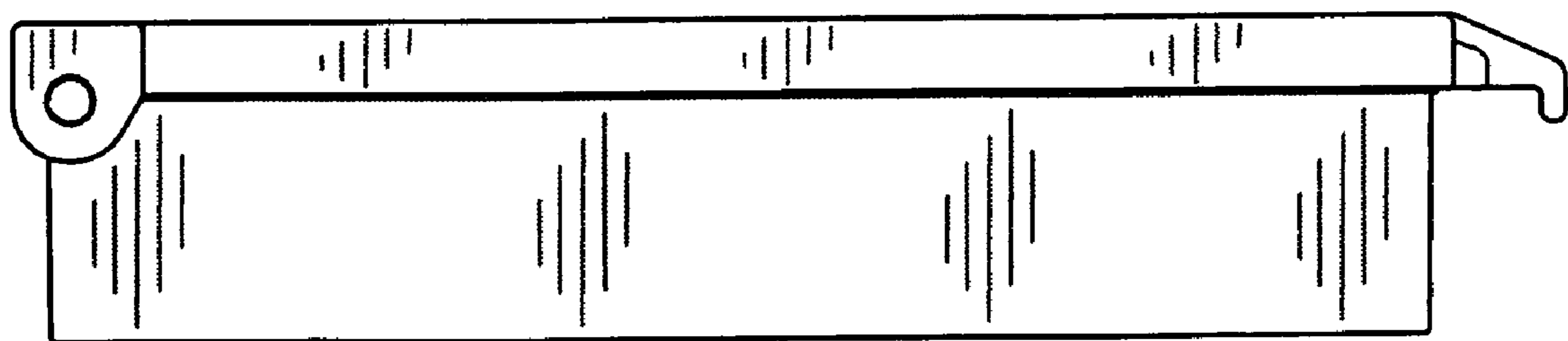


Fig. 7