



US00D627316S

(12) **United States Design Patent**  
**Theisen et al.**

(10) **Patent No.:** **US D627,316 S**  
(45) **Date of Patent:** **\*\* Nov. 16, 2010**

(54) **HEATER BOARD ENCLOSURE**

(75) Inventors: **Matthew R. Theisen**, Mahtomedi, MN (US); **Mark J. Brudevold**, Fridley, MN (US)

(73) Assignee: **Graco Minnesota Inc.**, Minneapolis, MN (US)

(\*\*) Term: **14 Years**

(21) Appl. No.: **29/330,441**

(22) Filed: **Jan. 7, 2009**

(51) **LOC (9) Cl.** ..... **13-03**

(52) **U.S. Cl.** ..... **D13/182**

(58) **Field of Classification Search** ..... D13/162, D13/179; 165/80.2, 80.3, 104.33, 151, 122, 165/185; 257/706, 707, 715, 718-722; 361/687, 361/695, 697, 700, 702, 704, 709, 710, 711, 361/719; 174/66

See application file for complete search history.

(56) **References Cited**

**U.S. PATENT DOCUMENTS**

4,587,593	A	5/1986	Liautaud et al.	
5,089,935	A	2/1992	Ito	
5,107,404	A	4/1992	Tam	
5,153,911	A	10/1992	Smith	
5,281,154	A	1/1994	Comerci et al.	
5,414,597	A	5/1995	Lindland et al.	
5,548,481	A	8/1996	Salisbury et al.	
5,995,380	A	11/1999	Maue et al.	
6,065,530	A	5/2000	Austin et al.	
D458,228	S *	6/2002	Jacobson	D13/152
6,452,790	B1	9/2002	Chu et al.	
6,501,662	B2	12/2002	Ikeda	

6,587,339	B1	7/2003	Daniels et al.	
D483,019	S *	12/2003	Cook et al.	D13/179
D499,074	S *	11/2004	Cook et al.	D13/160
6,822,161	B2	11/2004	Komatsu et al.	
7,227,079	B2	6/2007	Noest et al.	
7,417,861	B2	8/2008	Kikuchi et al.	
7,561,429	B2 *	7/2009	Yahata et al.	361/715
2006/0037773	A1	2/2006	Castaldo et al.	

**OTHER PUBLICATIONS**

EFD ProcessMate 6500 Temperature Control Unit brochure.

\* cited by examiner

*Primary Examiner*—Selina Sikder

(74) *Attorney, Agent, or Firm*—Douglas B. Farrow

(57) **CLAIM**

The ornamental design for the heater board enclosure, as shown and described.

**DESCRIPTION**

FIG. 1 is a front perspective view of the heater board enclosure;

FIG. 2 is a top plan view thereof;

FIG. 3 is a front elevation view thereof;

FIG. 4 is a right side elevation view thereof and a mirror image of the left side;

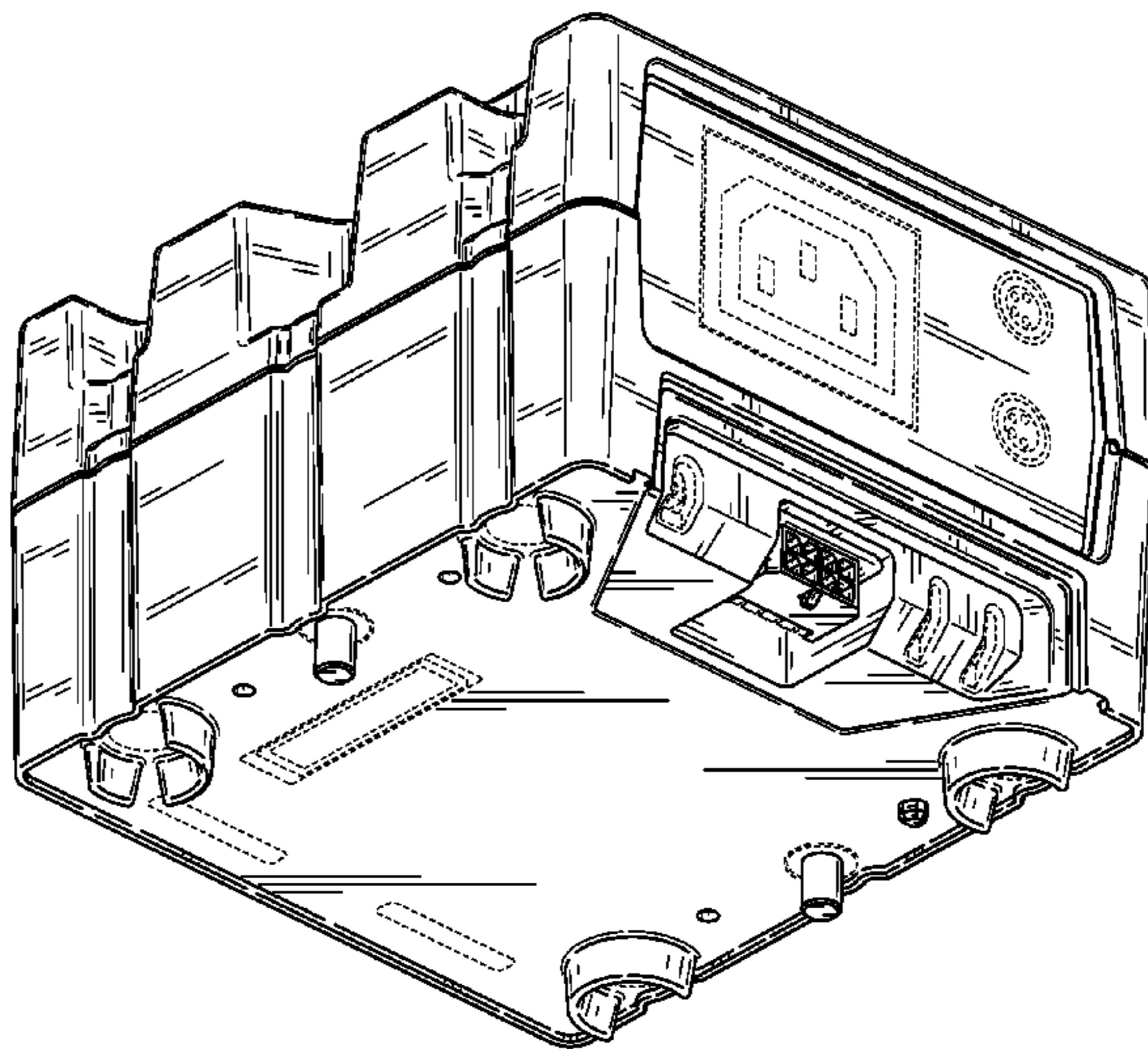
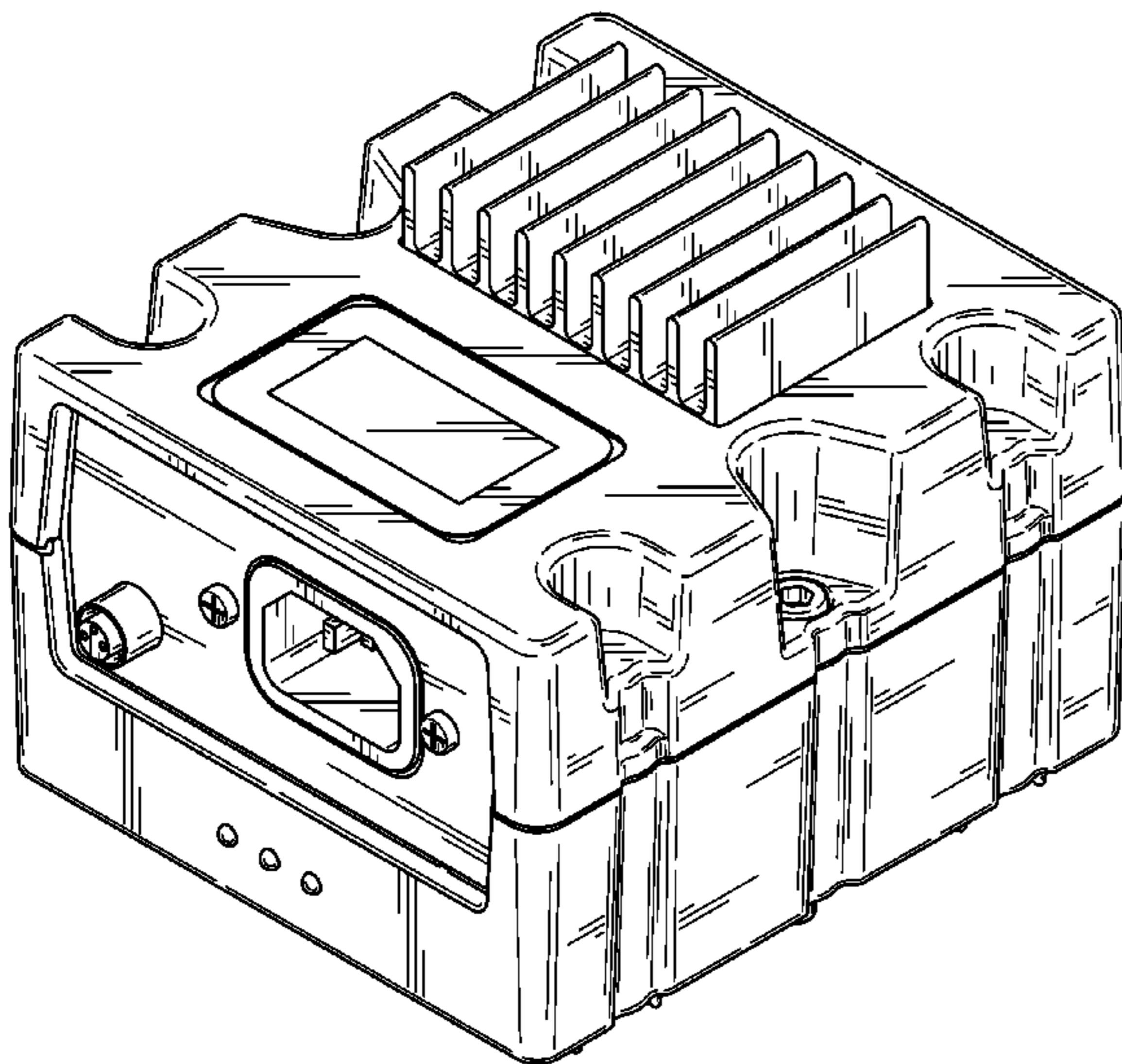
FIG. 5 is a rear elevation view thereof;

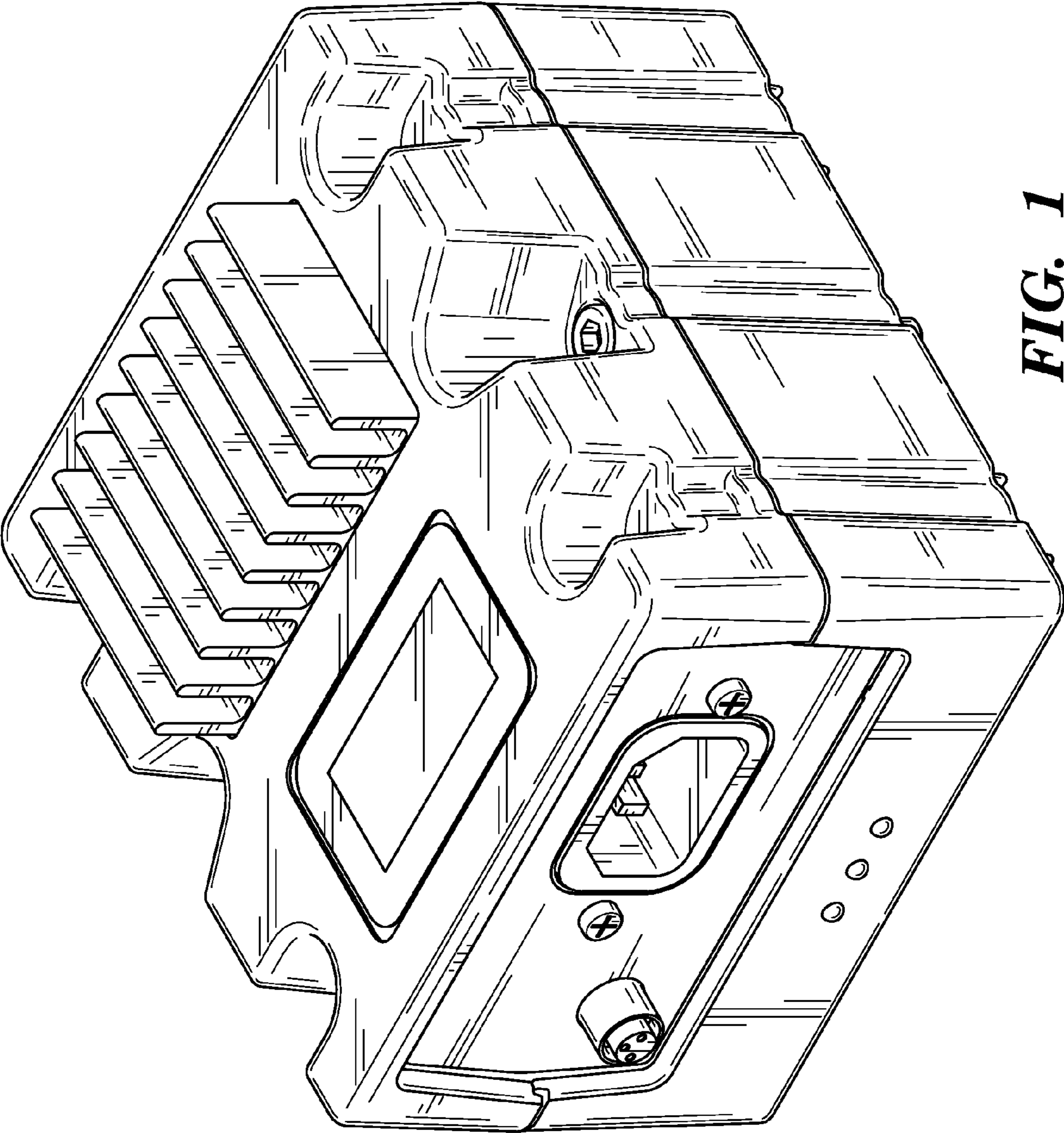
FIG. 6 is a bottom plan view thereof; and,

FIG. 7 is a bottom perspective view thereof.

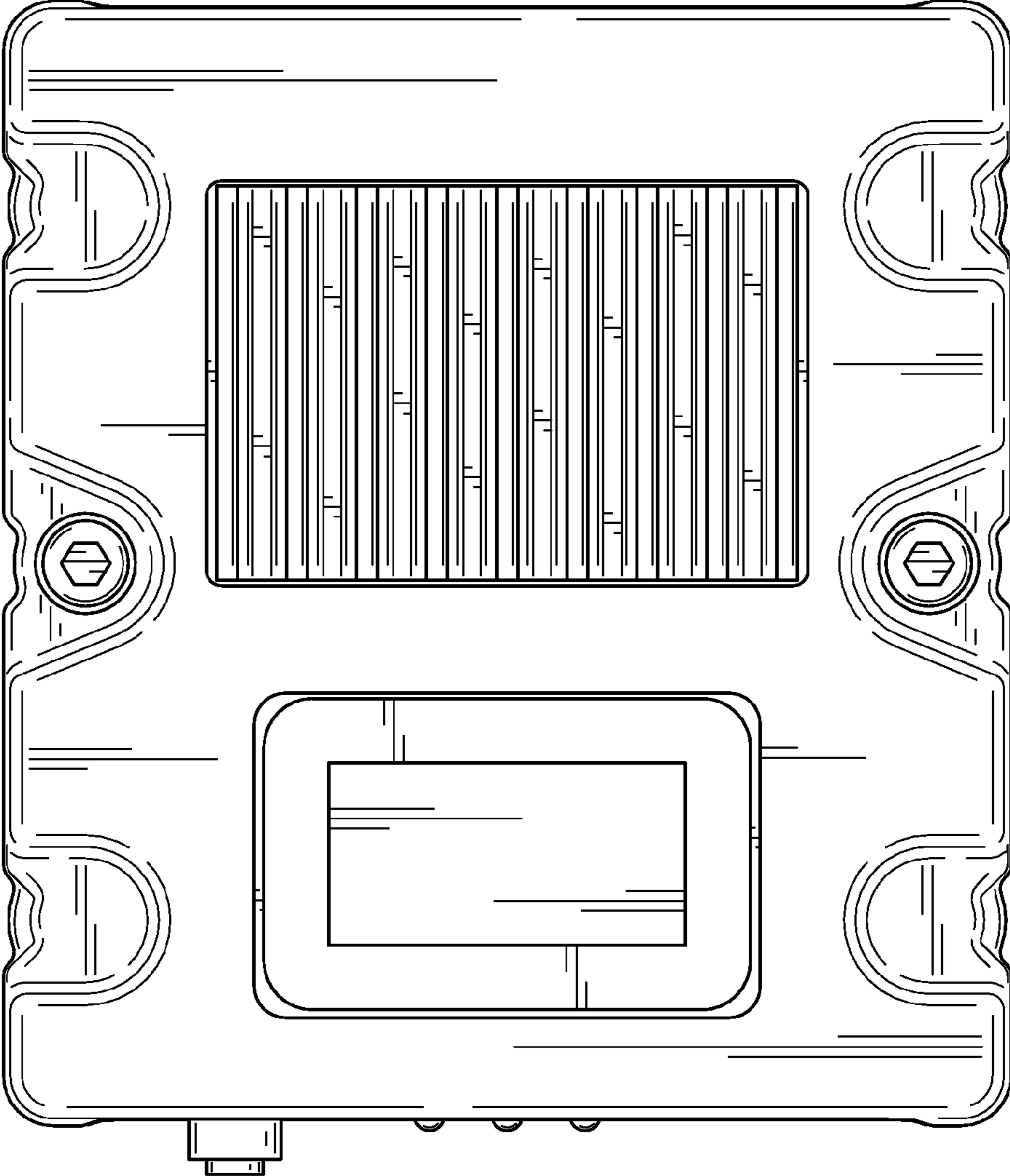
The broken lines showing portions of the heater board enclosure are shown for illustrative purpose only and forms no part of the claimed design.

**1 Claim, 7 Drawing Sheets**

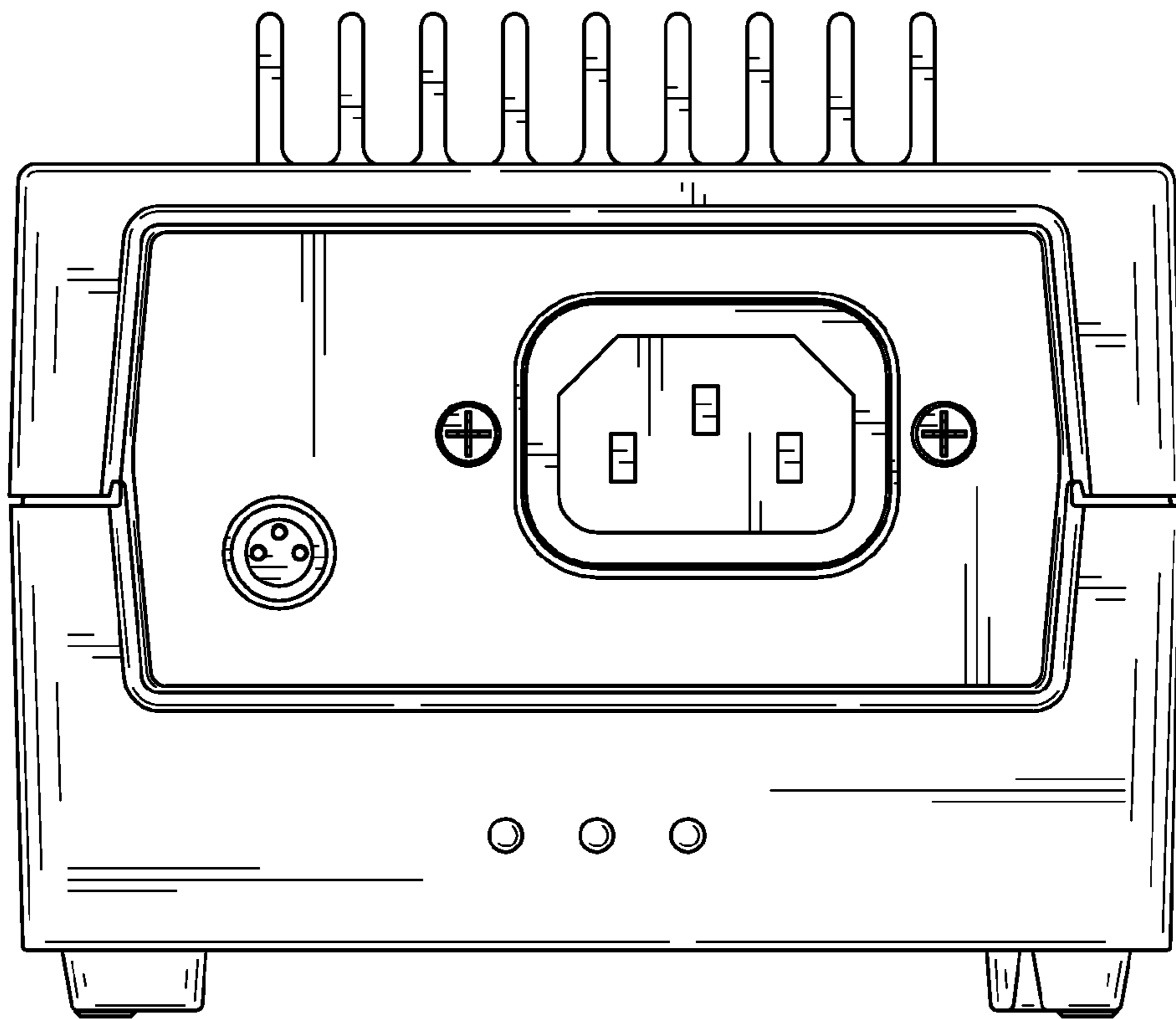




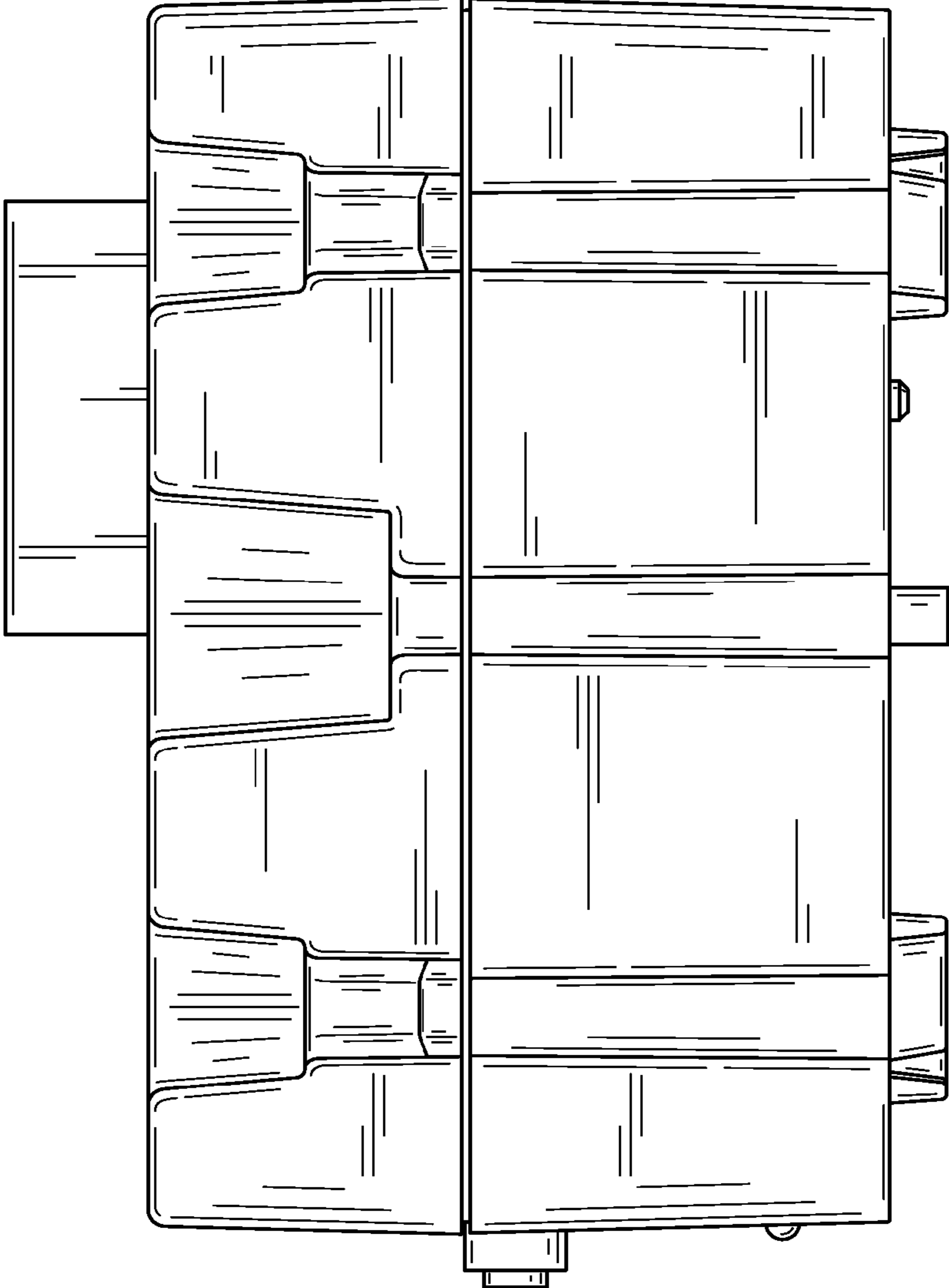
**FIG. 1**



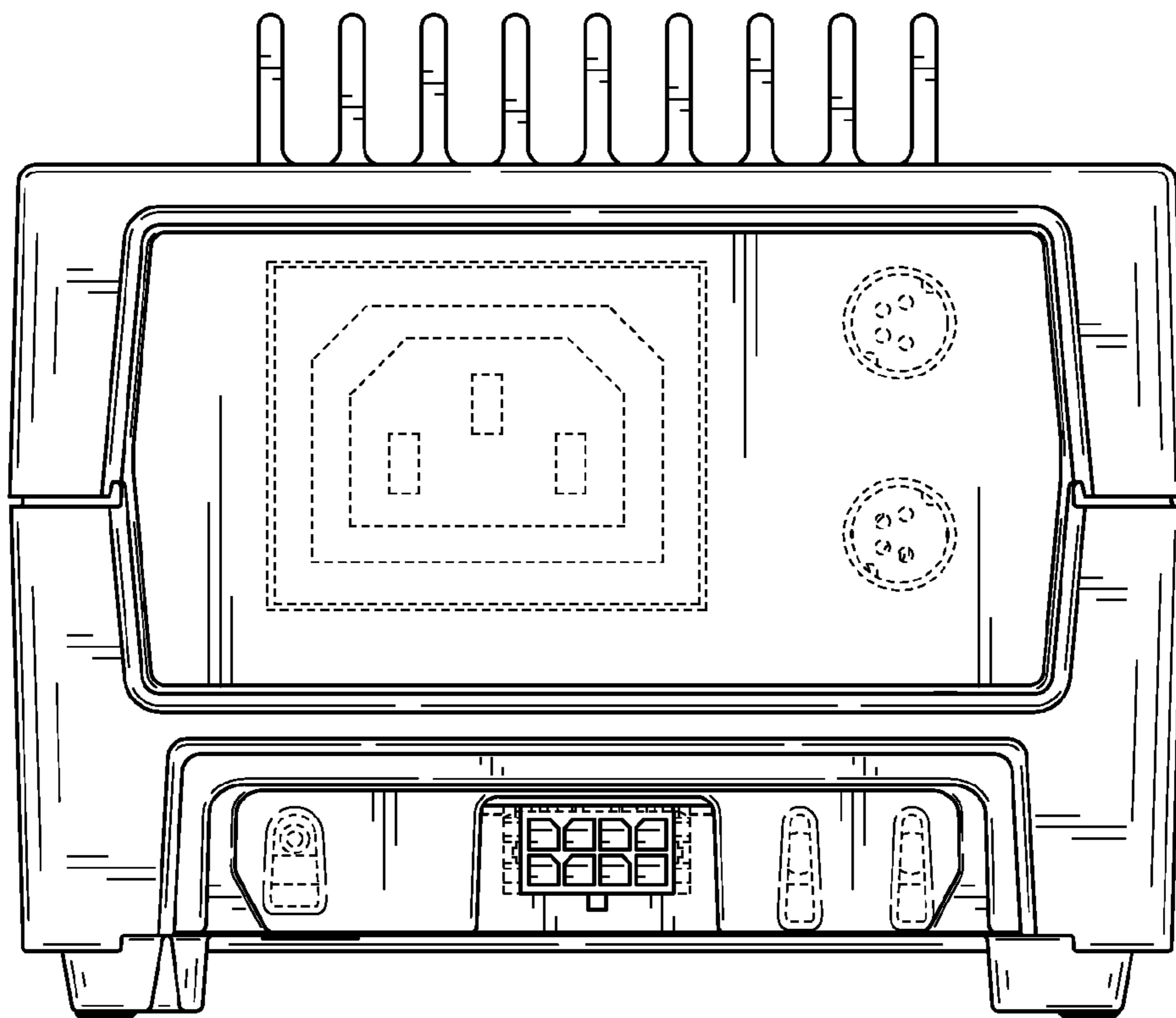
**FIG. 2**



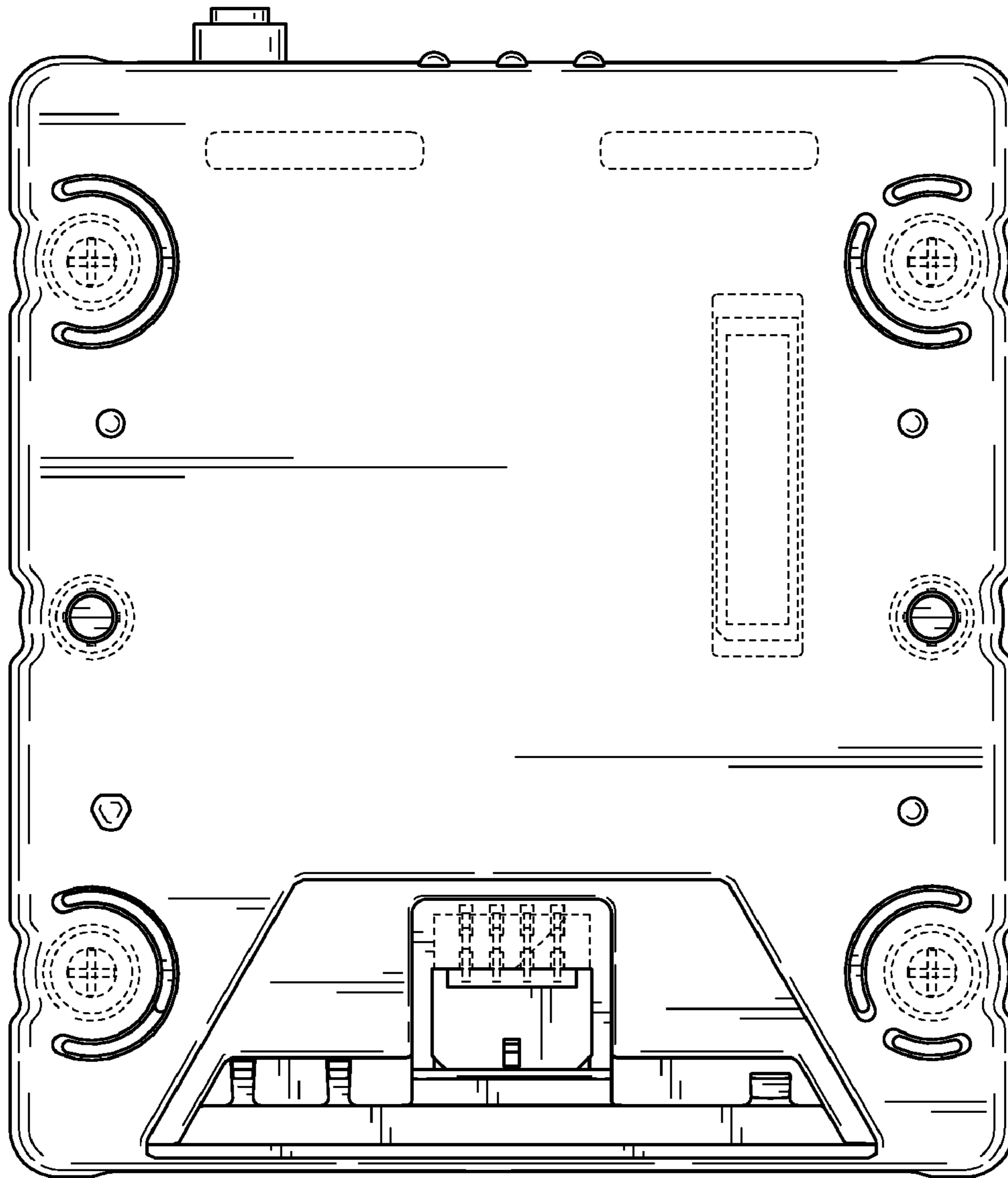
**FIG. 3**



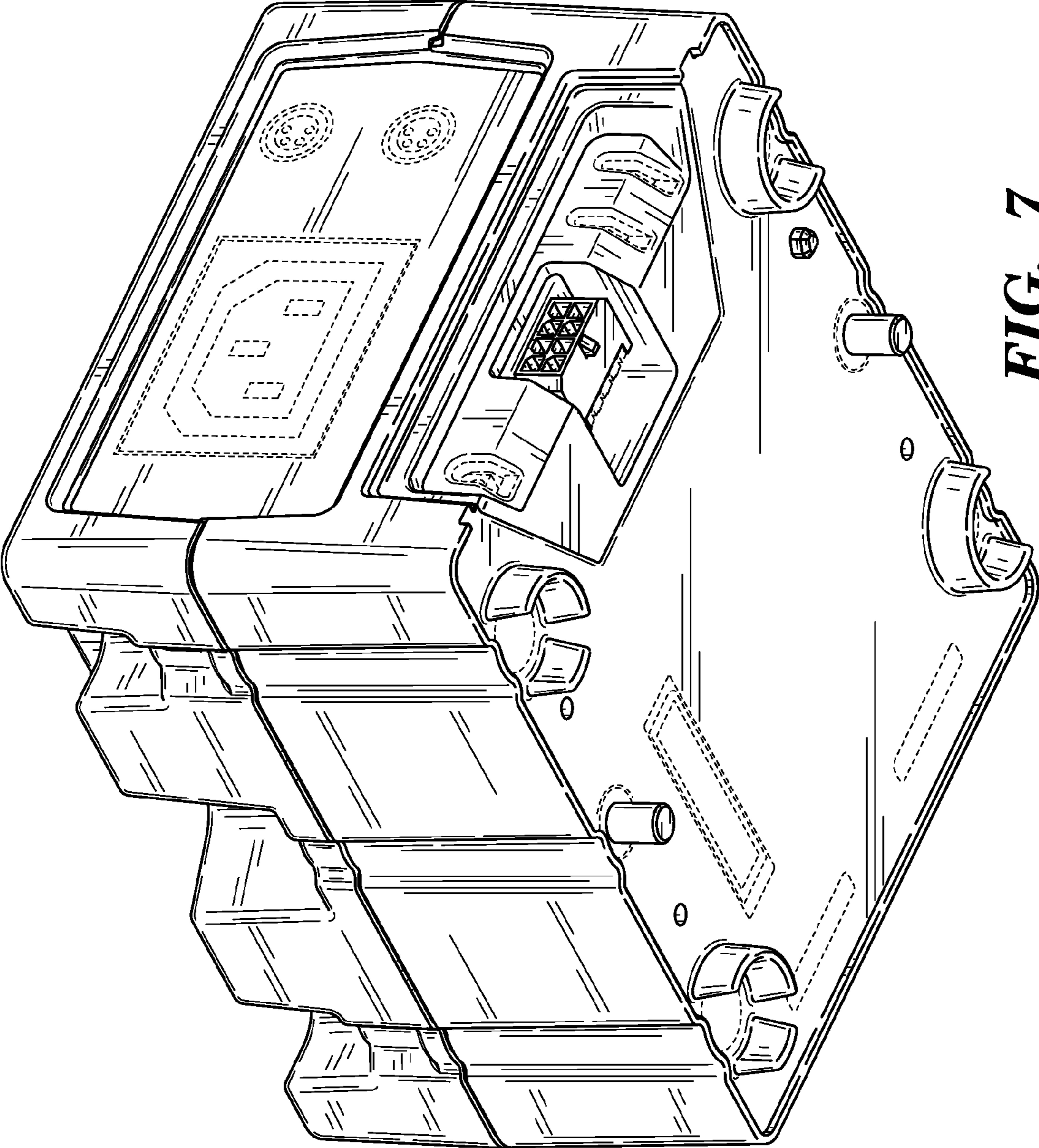
**FIG. 4**



**FIG. 5**



**FIG. 6**



**FIG. 7**