



US00D627313S

(12) **United States Design Patent**
Lai et al.

(10) **Patent No.:** **US D627,313 S**
(45) **Date of Patent:** **** Nov. 16, 2010**

(54) **LIGHT-EMITTING DIODE**

(75) Inventors: **Chih-Ming Lai**, Miao-Li Hsien (TW);
Ming-Young Shiao, Miao-Li Hsien
(TW); **Hong-Bin Yang**, Miao-Li Hsien
(TW)

(73) Assignee: **Foxsemicon Integrated Technology,
Inc.**, Chu-Nan, Miao-Li Hsien (TW)

(**) Term: **14 Years**

(21) Appl. No.: **29/359,250**

(22) Filed: **Apr. 7, 2010**

(30) **Foreign Application Priority Data**

Feb. 1, 2010 (CN) 2010 3 0302895

(51) **LOC (9) Cl.** **13-03**

(52) **U.S. Cl.** **D13/180**

(58) **Field of Classification Search** D13/180;
D26/2; 257/79, 80, 81, 88, 89, 95, 98, 99,
257/100, E33.058; 313/483, 498, 500; 362/555,
362/800

See application file for complete search history.

(56) **References Cited**

U.S. PATENT DOCUMENTS

6,376,902	B1 *	4/2002	Arndt	257/678
D471,166	S *	3/2003	Oshio et al.	D13/182
6,686,609	B1 *	2/2004	Sung	257/100
D488,137	S *	4/2004	Kamada	D13/182
D491,899	S *	6/2004	Yagi	D13/180
D494,550	S *	8/2004	Hoshiba	D13/180
D495,304	S *	8/2004	Kim et al.	D13/180
D505,398	S *	5/2005	Nakashima	D13/180
D510,913	S *	10/2005	Sumitani	D13/180
7,102,213	B2 *	9/2006	Sorg	257/667
7,176,612	B2 *	2/2007	Omoto et al.	313/487
D568,261	S *	5/2008	Lee et al.	D13/180
7,385,227	B2 *	6/2008	Mok et al.	257/98

D576,966	S *	9/2008	Ng et al.	D13/180
7,514,724	B2 *	4/2009	Ng et al.	257/99
7,547,583	B2 *	6/2009	Ng et al.	438/123
D599,749	S *	9/2009	Bando	D13/180
D602,451	S *	10/2009	Gielen	D13/180
7,635,915	B2 *	12/2009	Xie et al.	257/692
D611,011	S *	3/2010	Ariizumi	D13/180
7,675,145	B2 *	3/2010	Wong et al.	257/676
7,696,526	B2 *	4/2010	Tay et al.	257/99
7,719,024	B2 *	5/2010	Bando	257/99
D621,800	S *	8/2010	Hsieh	D13/180
D622,232	S *	8/2010	Lai et al.	D13/180
2002/0163001	A1 *	11/2002	Shaddock	257/79
2004/0201028	A1 *	10/2004	Waitl et al.	257/99
2005/0127816	A1 *	6/2005	Sumitani	313/498
2006/0163705	A1 *	7/2006	Kamikawa et al.	257/676
2007/0145403	A1 *	6/2007	Tomioaka et al.	257/99
2007/0252250	A1 *	11/2007	Hui et al.	257/672

* cited by examiner

Primary Examiner—Selina Sikder

(74) *Attorney, Agent, or Firm*—Raymond J. Chew

(57) **CLAIM**

The ornamental design for a light-emitting diode, as shown and described.

DESCRIPTION

FIG. 1 is a perspective view of a light-emitting diode showing our new design.

FIG. 2 is a front elevational view thereof.

FIG. 3 is a rear elevational view thereof.

FIG. 4 is a left-side, elevational view thereof.

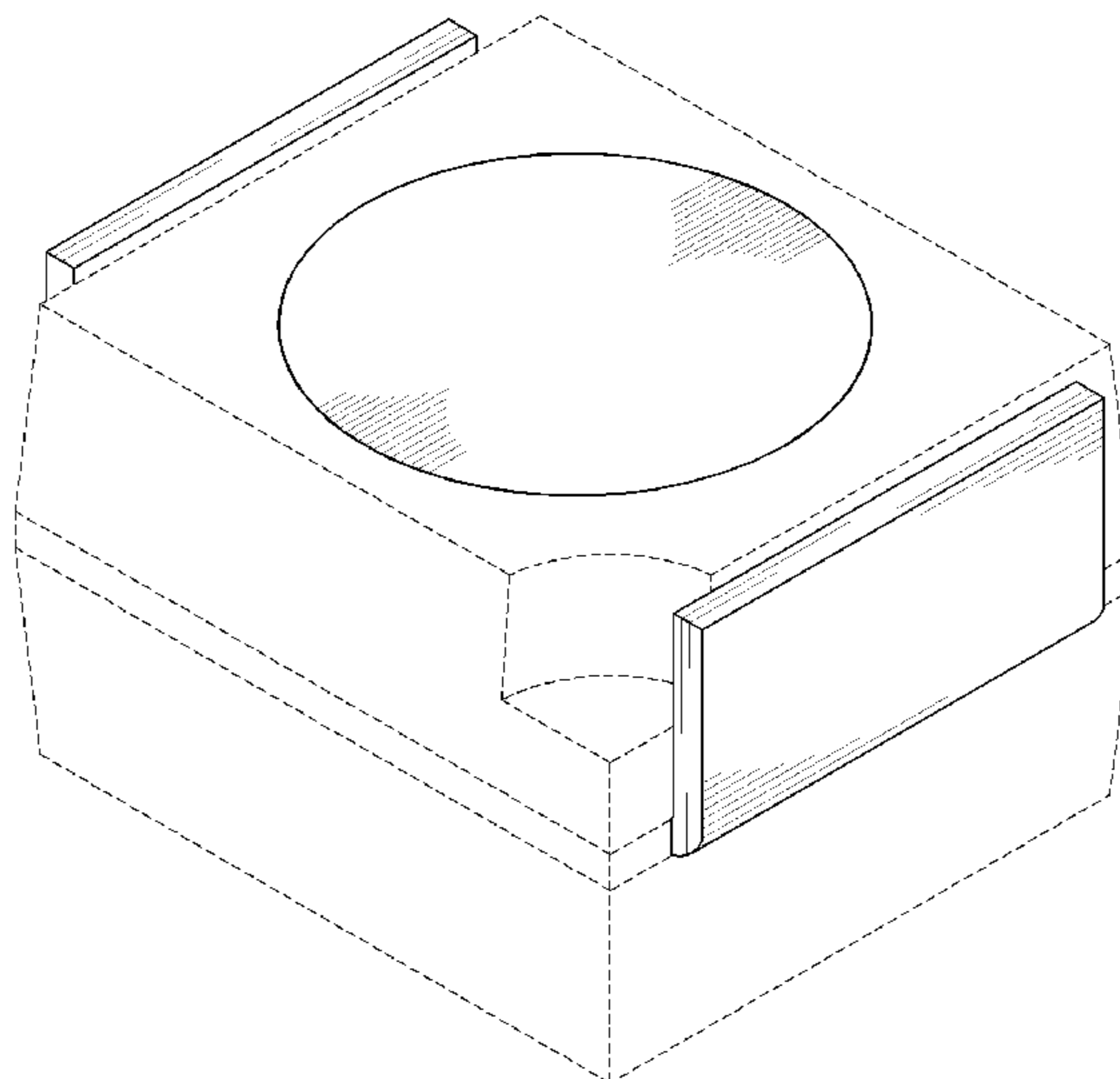
FIG. 5 is a right-side, elevational view thereof.

FIG. 6 is a top plan view thereof; and,

FIG. 7 is a bottom plan view thereof.

The broken line showing of the environment is for illustrative purpose only and forms no part of the claimed design.

1 Claim, 7 Drawing Sheets



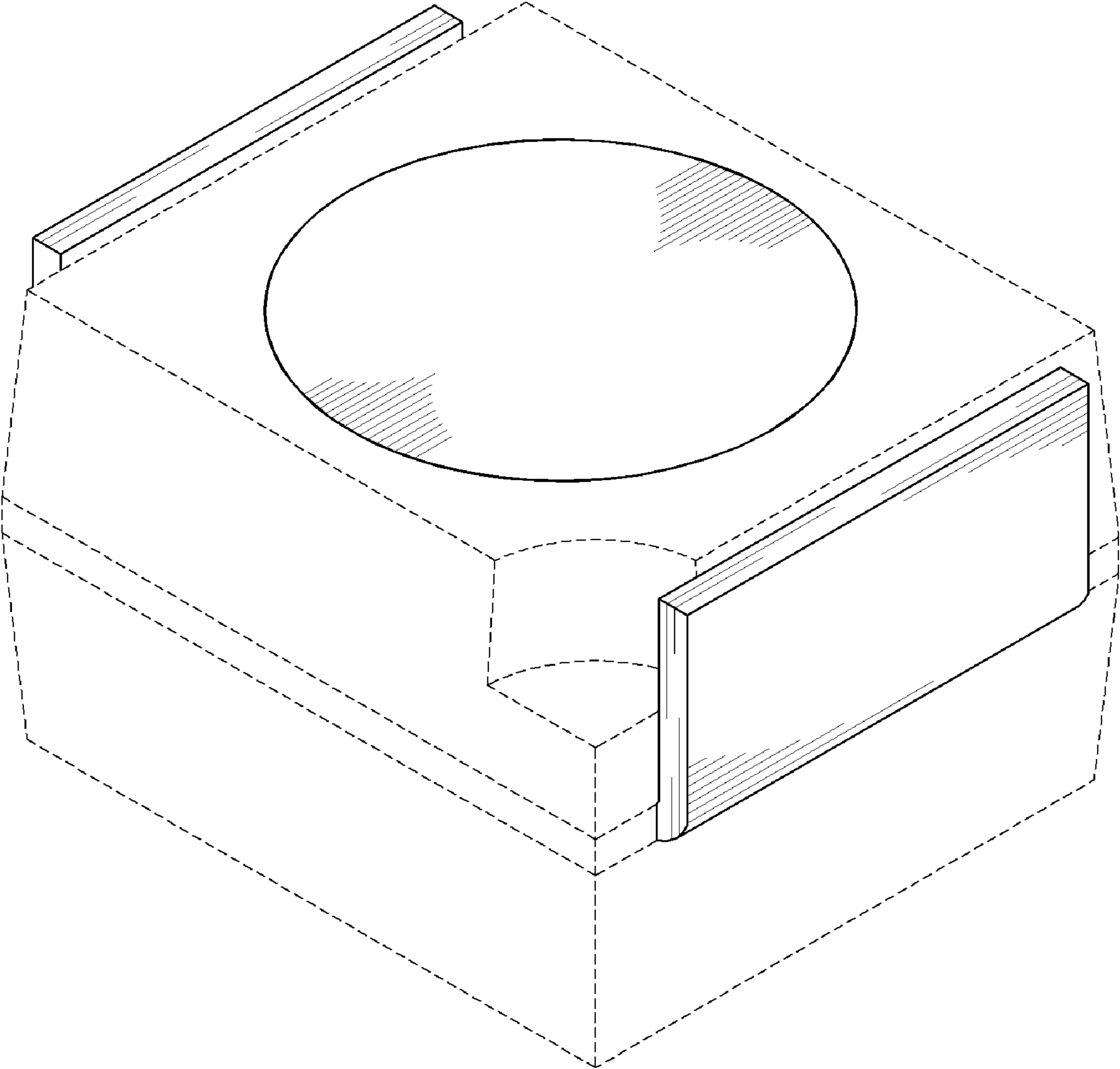


FIG. 1

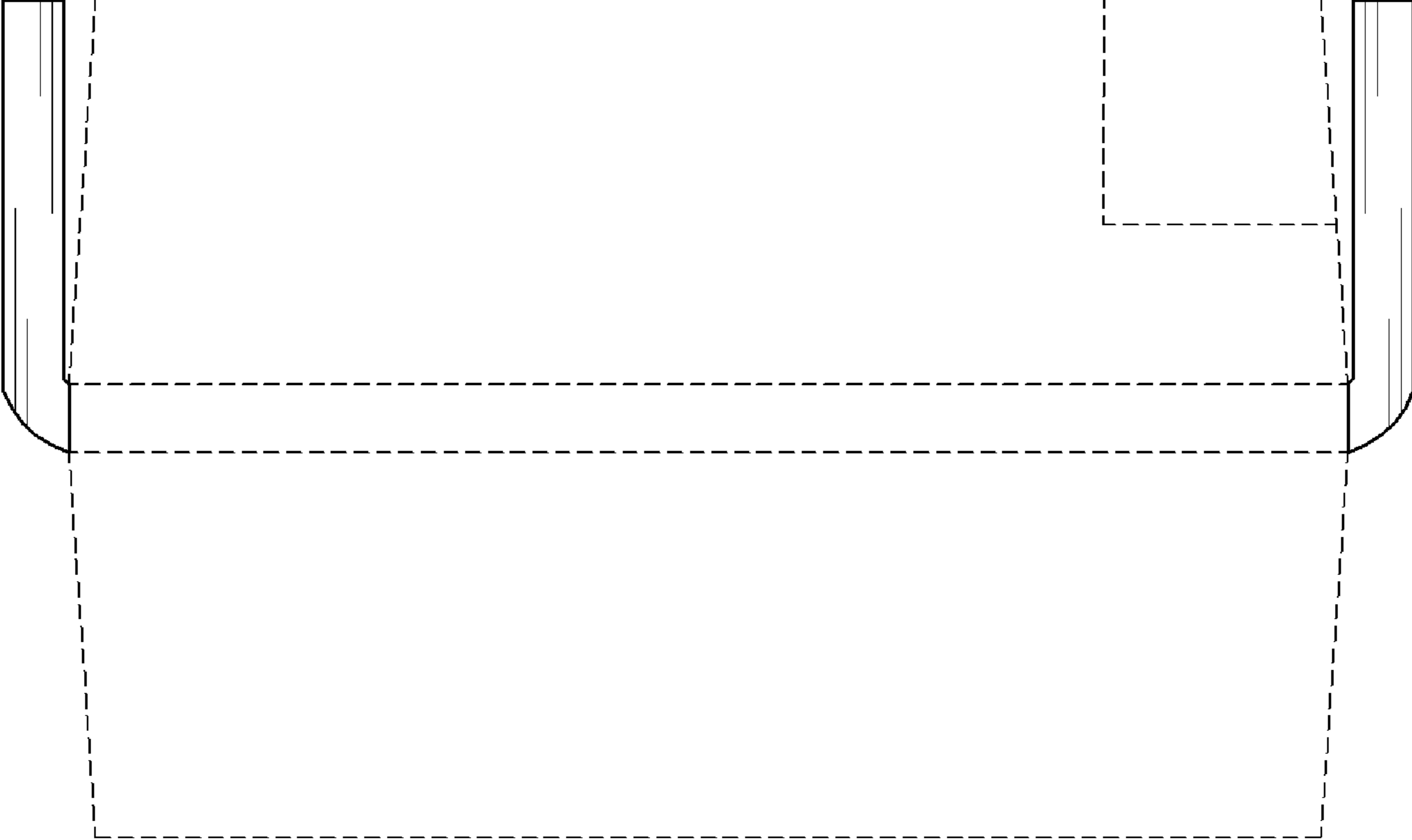


FIG. 2

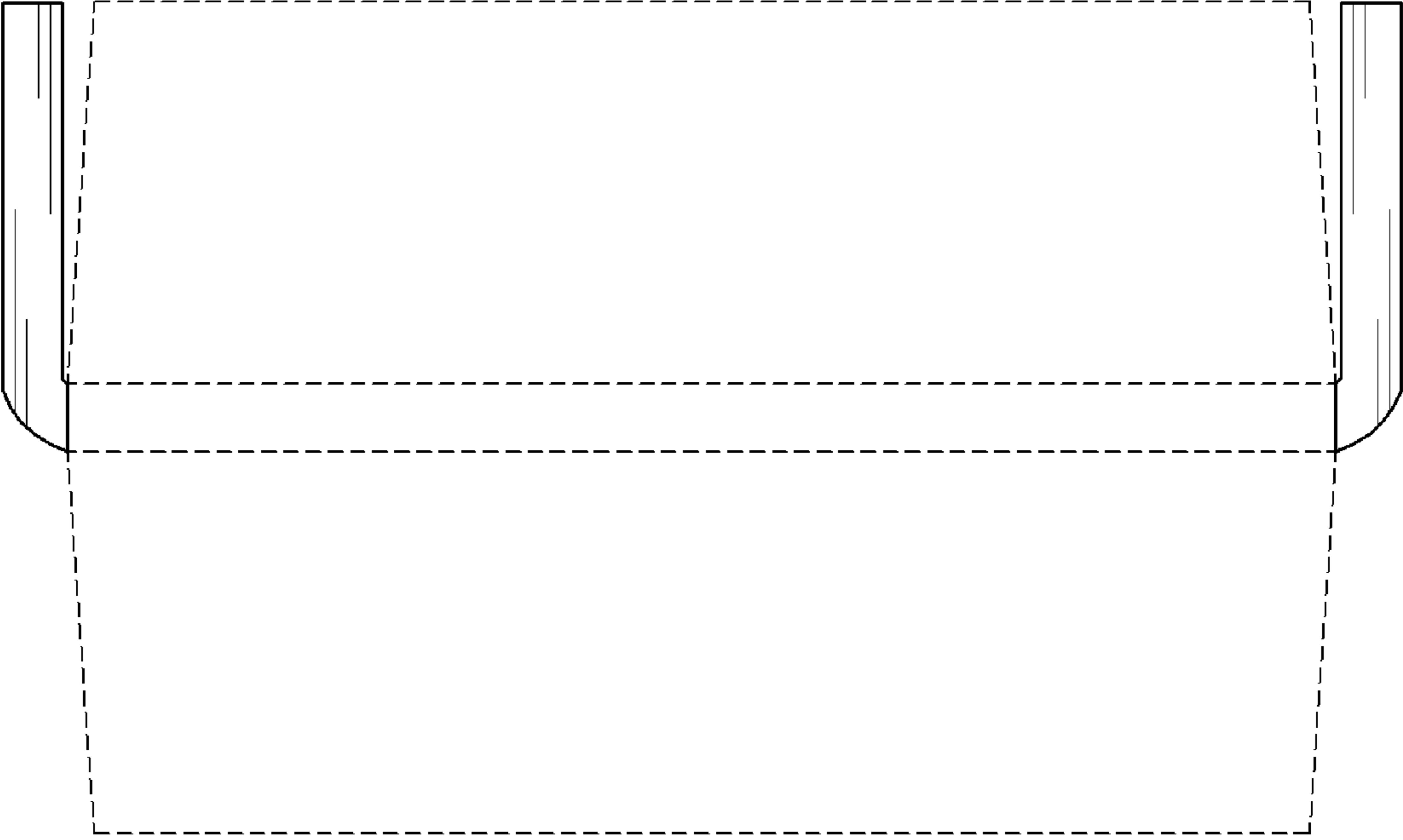


FIG. 3

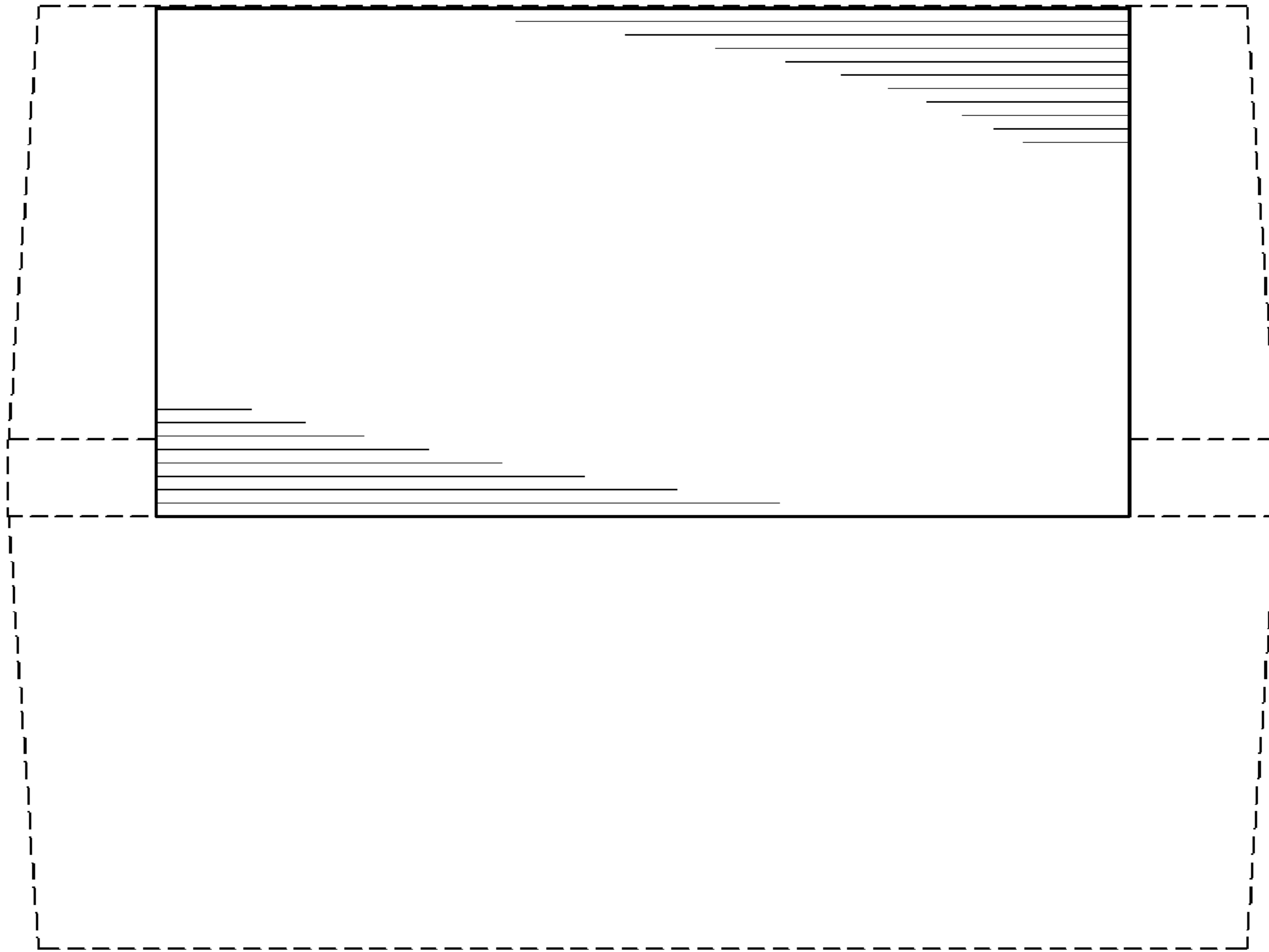


FIG. 4

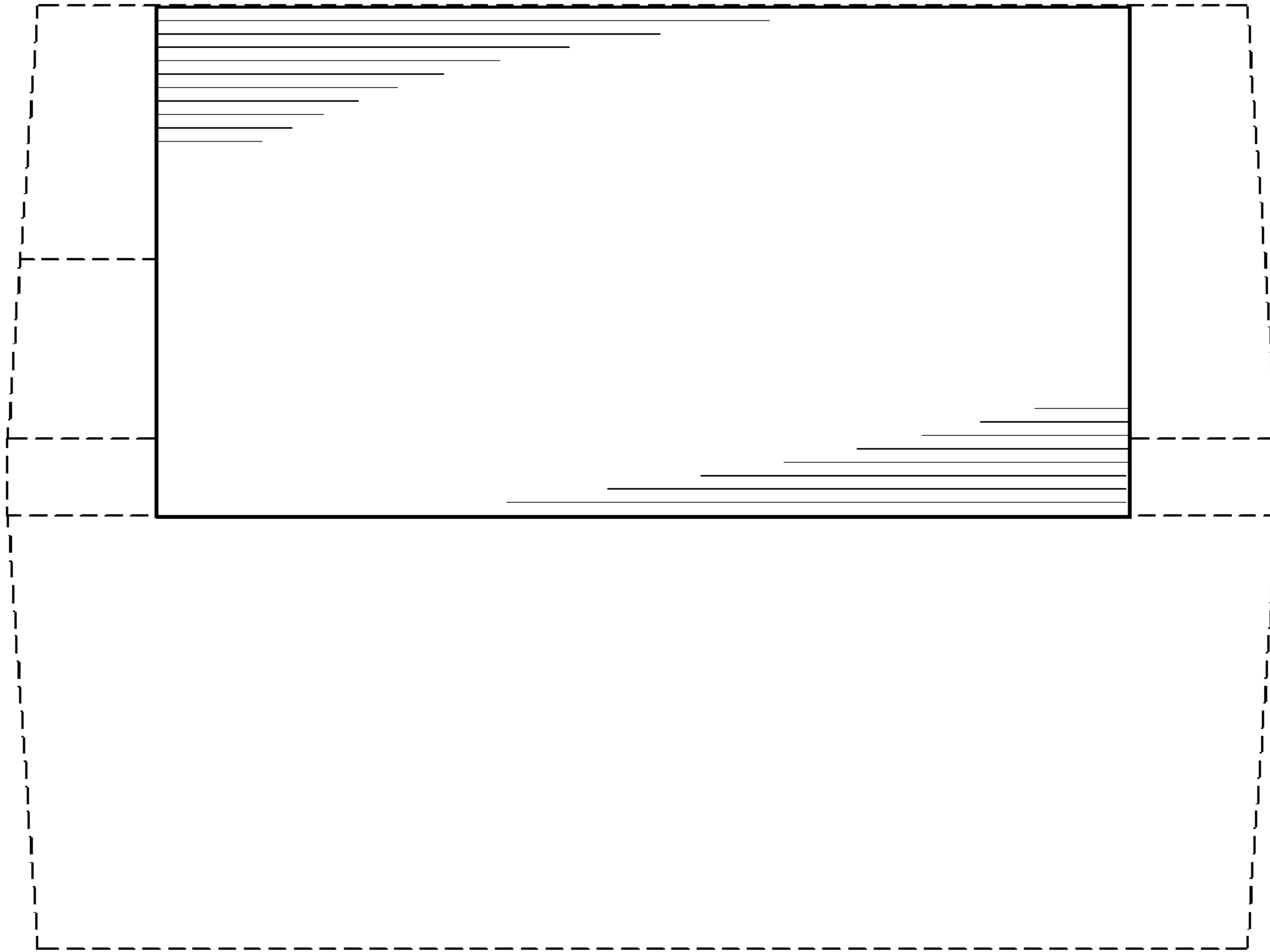


FIG. 5

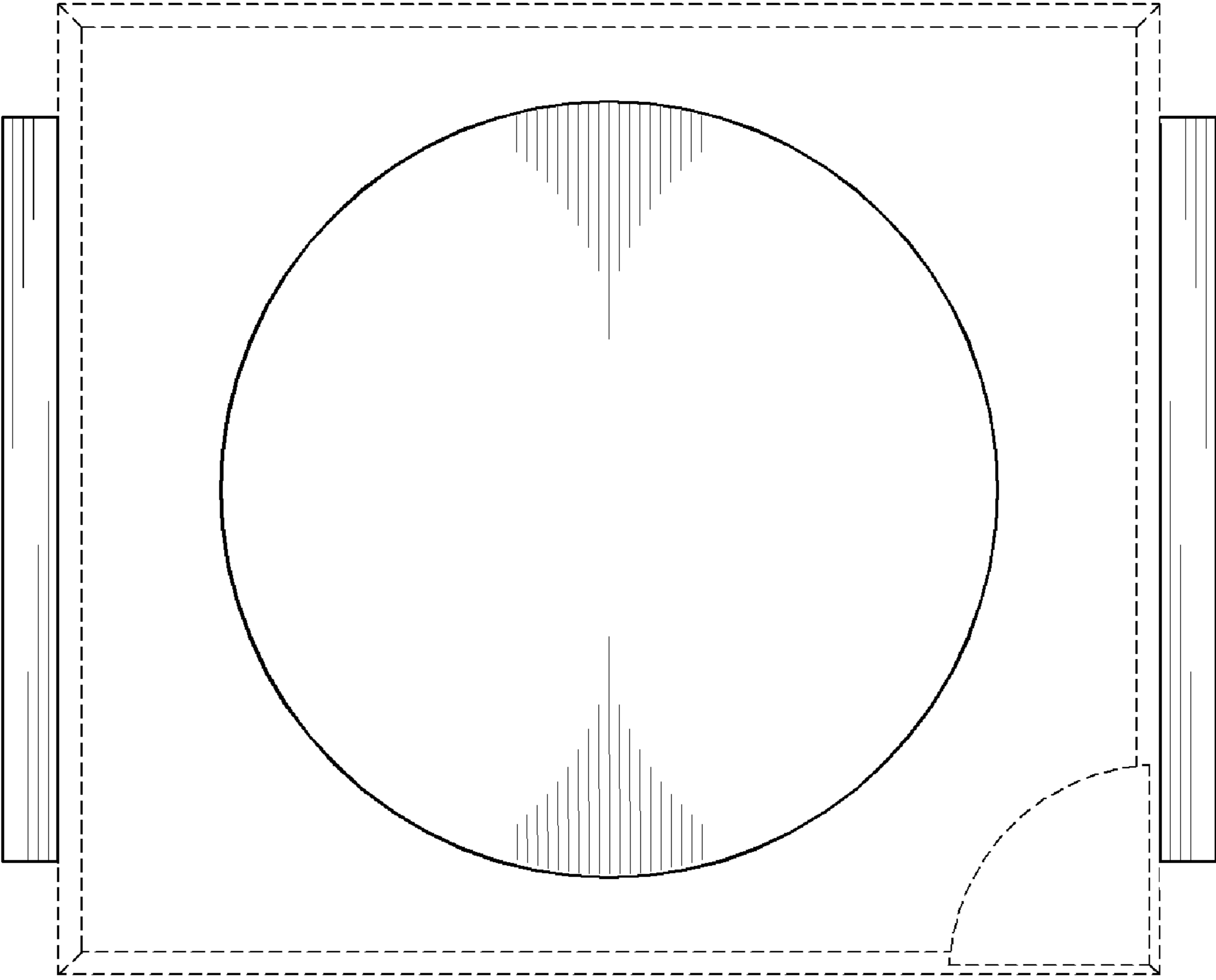


FIG. 6

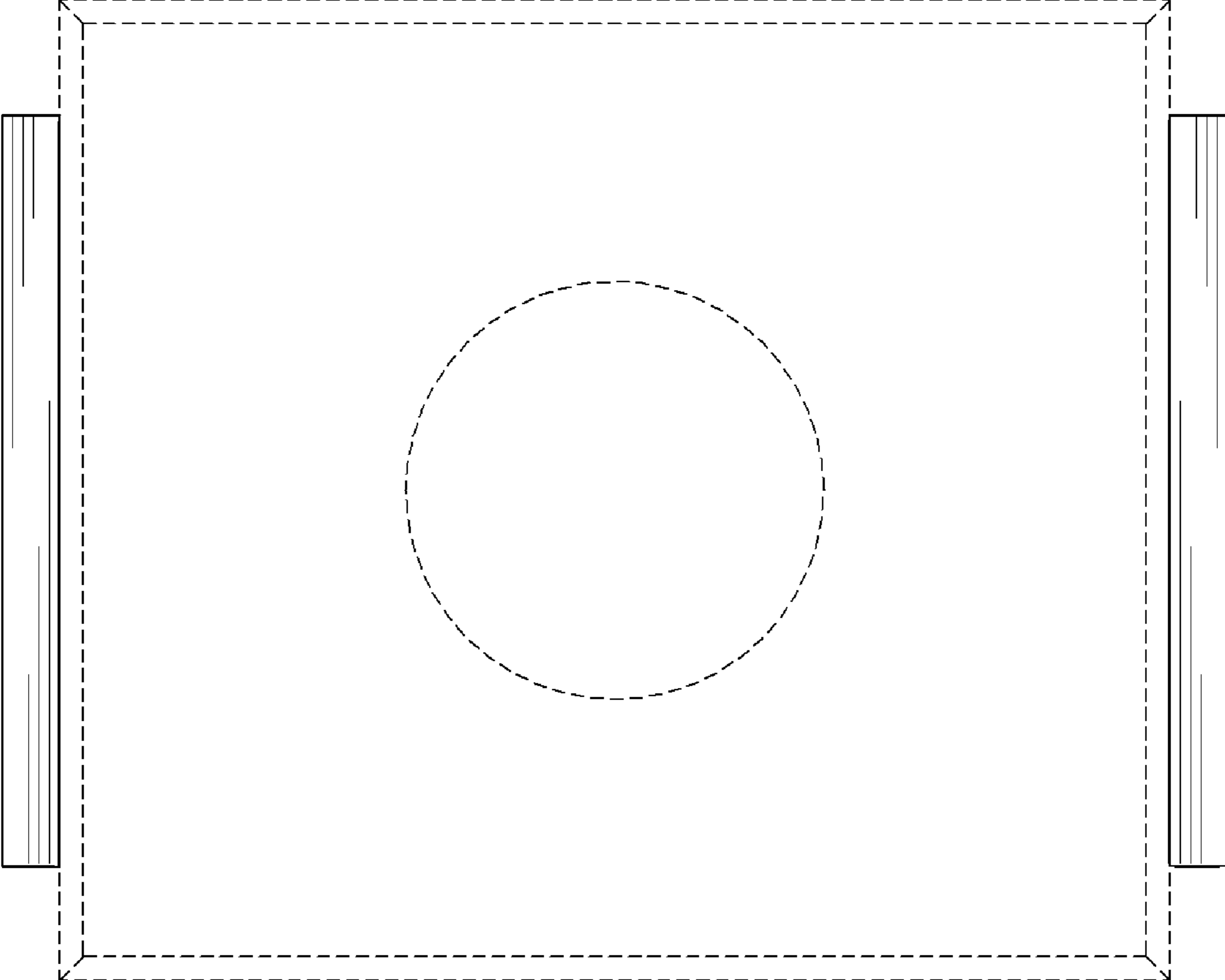


FIG. 7