



US00D627312S

(12) **United States Design Patent**  
**Lai et al.**

(10) **Patent No.:** **US D627,312 S**  
(45) **Date of Patent:** **\*\* Nov. 16, 2010**

(54) **LIGHT-EMITTING DIODE**

(75) Inventors: **Chih-Ming Lai**, Miao-Li Hsien (TW);  
**Ming-Young Shiao**, Miao-Li Hsien  
(TW); **Hong-Bin Yang**, Miao-Li Hsien  
(TW)

(73) Assignee: **Foxsemicon Integrated Technology,  
Inc.**, Chu-Nan, Miao-Li Hsien (TW)

(\*\*) Term: **14 Years**

(21) Appl. No.: **29/358,942**

(22) Filed: **Apr. 2, 2010**

(30) **Foreign Application Priority Data**

Feb. 1, 2010 (CN) ..... 2010 3 0302904

(51) **LOC (9) Cl.** ..... **13-03**

(52) **U.S. Cl.** ..... **D13/180**

(58) **Field of Classification Search** ..... D13/180;  
D26/2; 257/79, 80, 81, 88, 89, 95, 98, 99,  
257/100, E33.058; 313/483, 498, 500; 362/555,  
362/800

See application file for complete search history.

(56) **References Cited**

**U.S. PATENT DOCUMENTS**

- 6,376,902 B1 \* 4/2002 Arndt ..... 257/678
- D471,166 S \* 3/2003 Oshio et al. .... D13/182
- 6,686,609 B1 \* 2/2004 Sung ..... 257/100
- D488,137 S \* 4/2004 Kamada ..... D13/182
- D491,899 S \* 6/2004 Yagi ..... D13/180
- D494,550 S \* 8/2004 Hoshiba ..... D13/180
- D495,304 S \* 8/2004 Kim et al. .... D13/180
- D505,398 S \* 5/2005 Nakashima ..... D13/180
- D510,913 S \* 10/2005 Sumitani ..... D13/180
- 7,102,213 B2 \* 9/2006 Sorg ..... 257/667
- 7,176,612 B2 \* 2/2007 Omoto et al. .... 313/487
- D568,261 S \* 5/2008 Lee et al. .... D13/180
- 7,385,227 B2 \* 6/2008 Mok et al. .... 257/98
- D576,966 S \* 9/2008 Ng et al. .... D13/180
- 7,514,724 B2 \* 4/2009 Ng et al. .... 257/99

- 7,547,583 B2 \* 6/2009 Ng et al. .... 438/123
- D599,749 S \* 9/2009 Bando ..... D13/180
- D602,451 S \* 10/2009 Gielen ..... D13/180
- 7,635,915 B2 \* 12/2009 Xie et al. .... 257/692
- D611,011 S \* 3/2010 Ariizumi ..... D13/180
- 7,675,145 B2 \* 3/2010 Wong et al. .... 257/676
- 7,696,526 B2 \* 4/2010 Tay et al. .... 257/99
- 7,719,024 B2 \* 5/2010 Bando ..... 257/99
- D621,800 S \* 8/2010 Hsieh ..... D13/180

(Continued)

*Primary Examiner*—Selina Sikder

(74) *Attorney, Agent, or Firm*—Raymond J. Chew

(57) **CLAIM**

The ornamental design for a light-emitting diode, as shown and described.

**DESCRIPTION**

FIG. 1 is a perspective view of a light-emitting diode showing our new design.

FIG. 2 is a front elevational view of the light-emitting diode of FIG. 1.

FIG. 3 is a rear elevational view of the light-emitting diode of FIG. 1.

FIG. 4 is a left-side, elevational view of the light-emitting diode of FIG. 1.

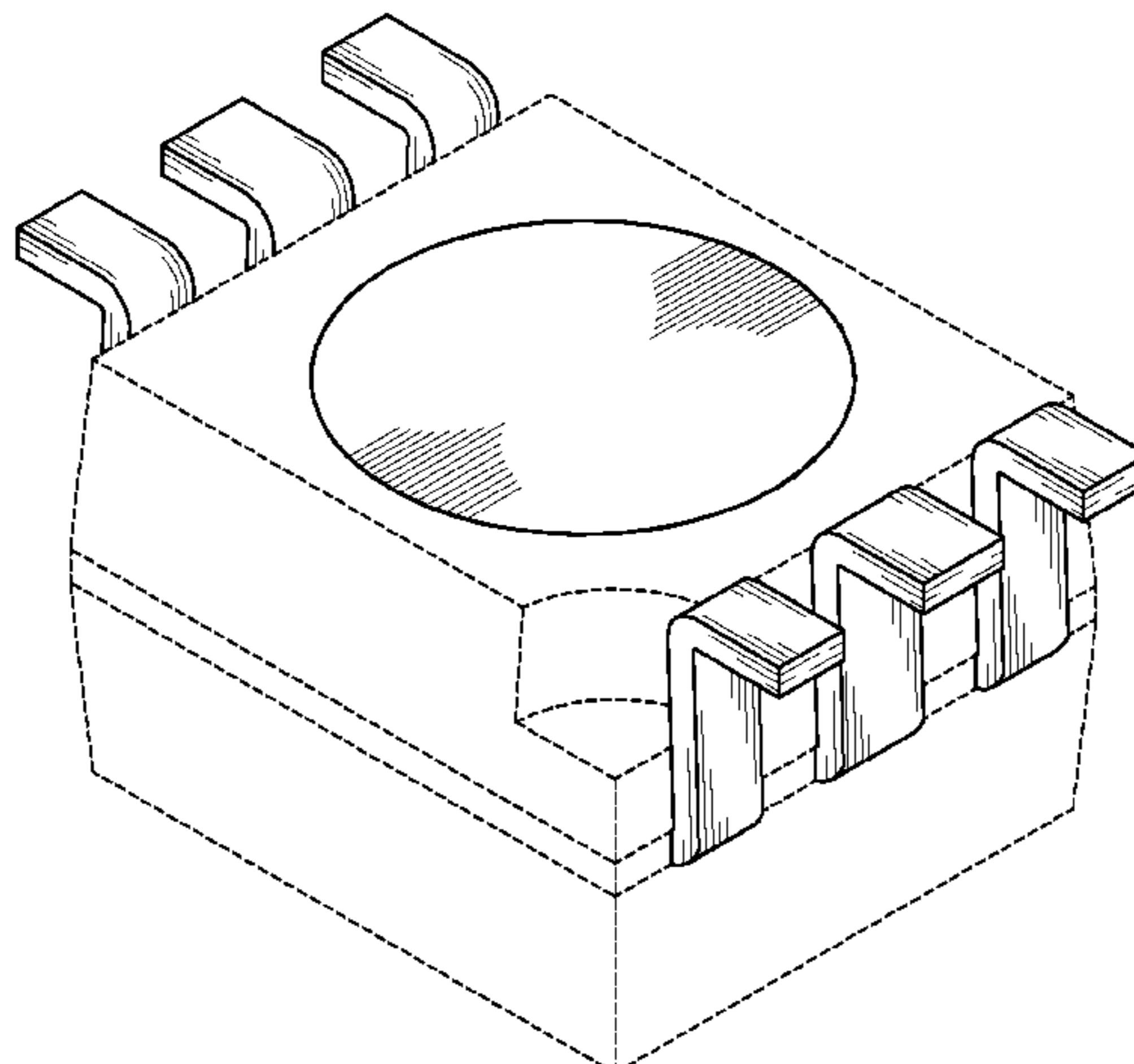
FIG. 5 is a right-side, elevational view of the light-emitting diode of FIG. 1.

FIG. 6 is a top plan view of the light-emitting diode of FIG. 1; and,

FIG. 7 is a bottom plan view of the light-emitting diode of FIG. 1.

The broken line showing of the environment is for illustrative purpose only and forms no part of the claimed design.

**1 Claim, 7 Drawing Sheets**



# US D627,312 S

Page 2

---

## U.S. PATENT DOCUMENTS

2002/0163001	A1*	11/2002	Shaddock .....	257/79	2006/0163705	A1*	7/2006	Kamikawa et al. ....	257/676
2004/0201028	A1*	10/2004	Waitl et al. ....	257/99	2007/0145403	A1*	6/2007	Tomioka et al. ....	257/99
2005/0127816	A1*	6/2005	Sumitani .....	313/498	2007/0252250	A1*	11/2007	Hui et al. ....	257/672

\* cited by examiner

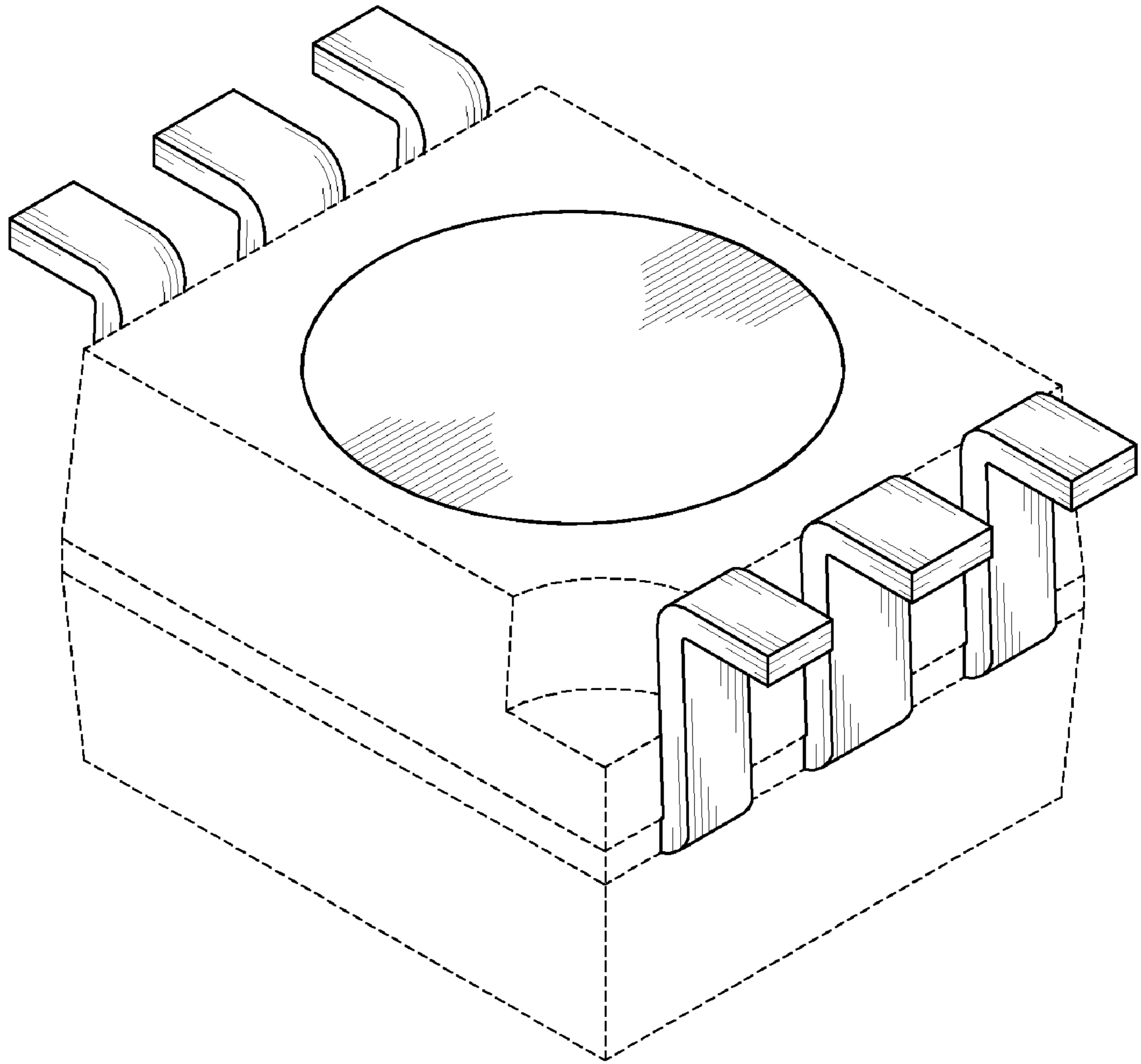


FIG. 1

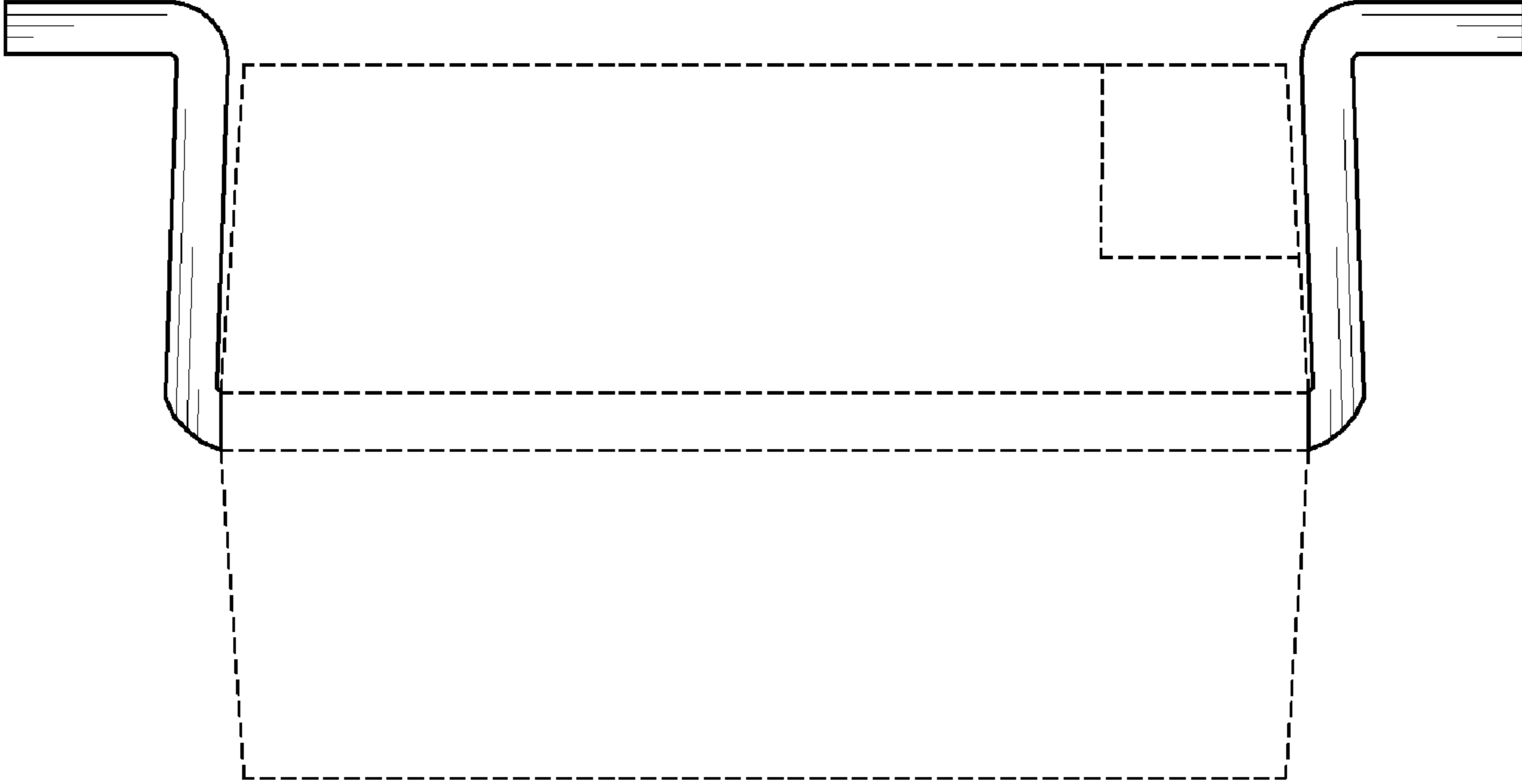


FIG. 2

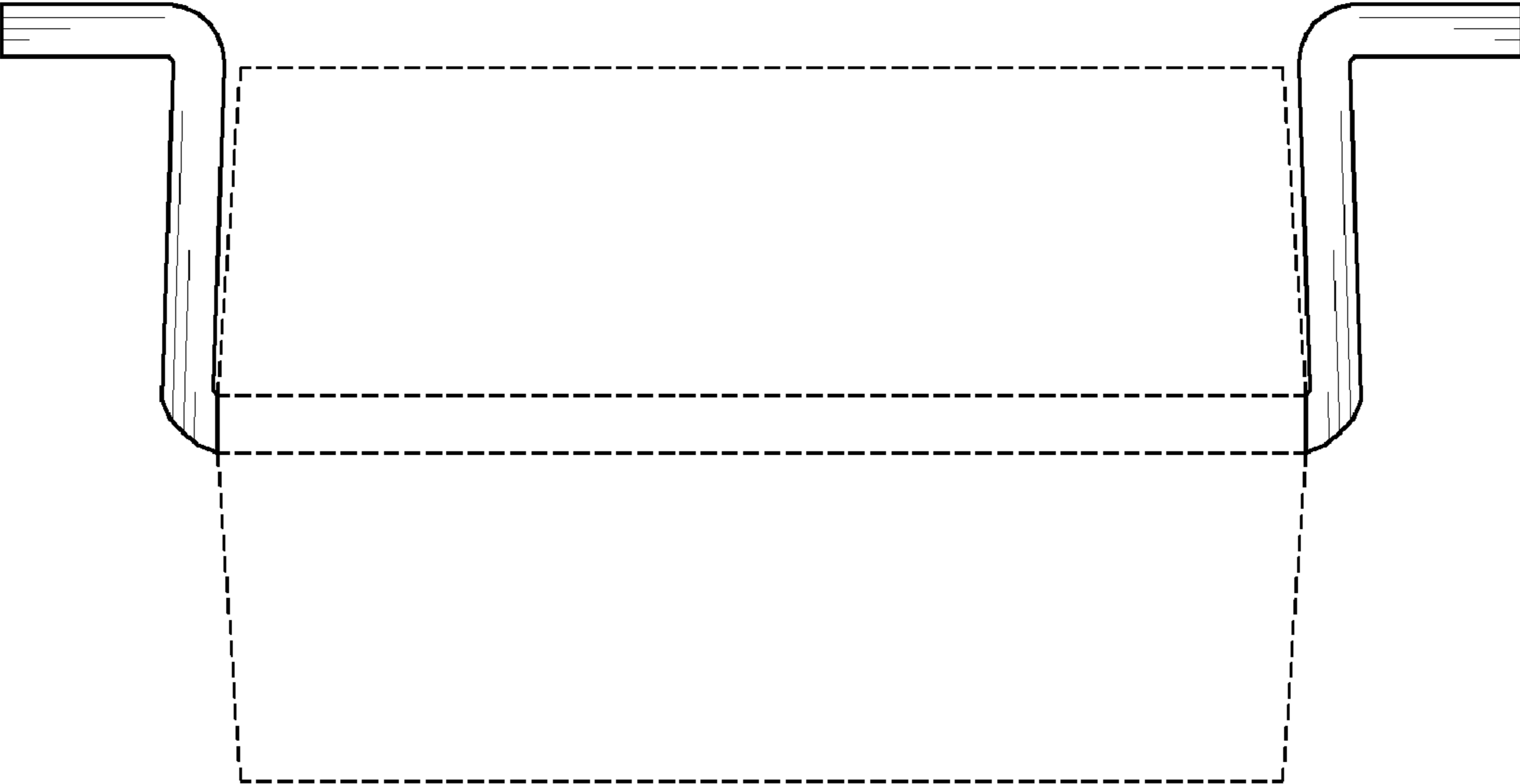


FIG. 3

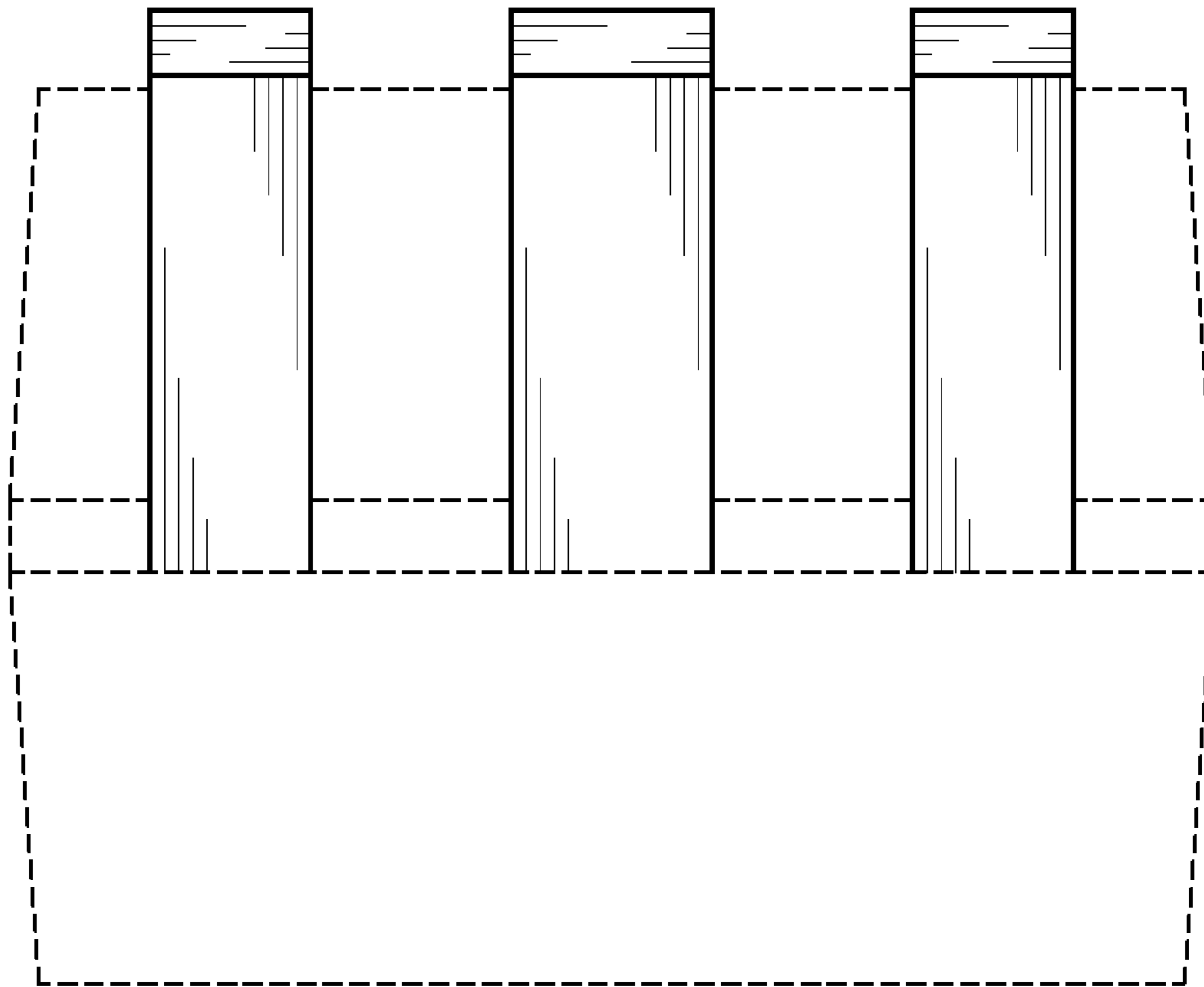


FIG. 4

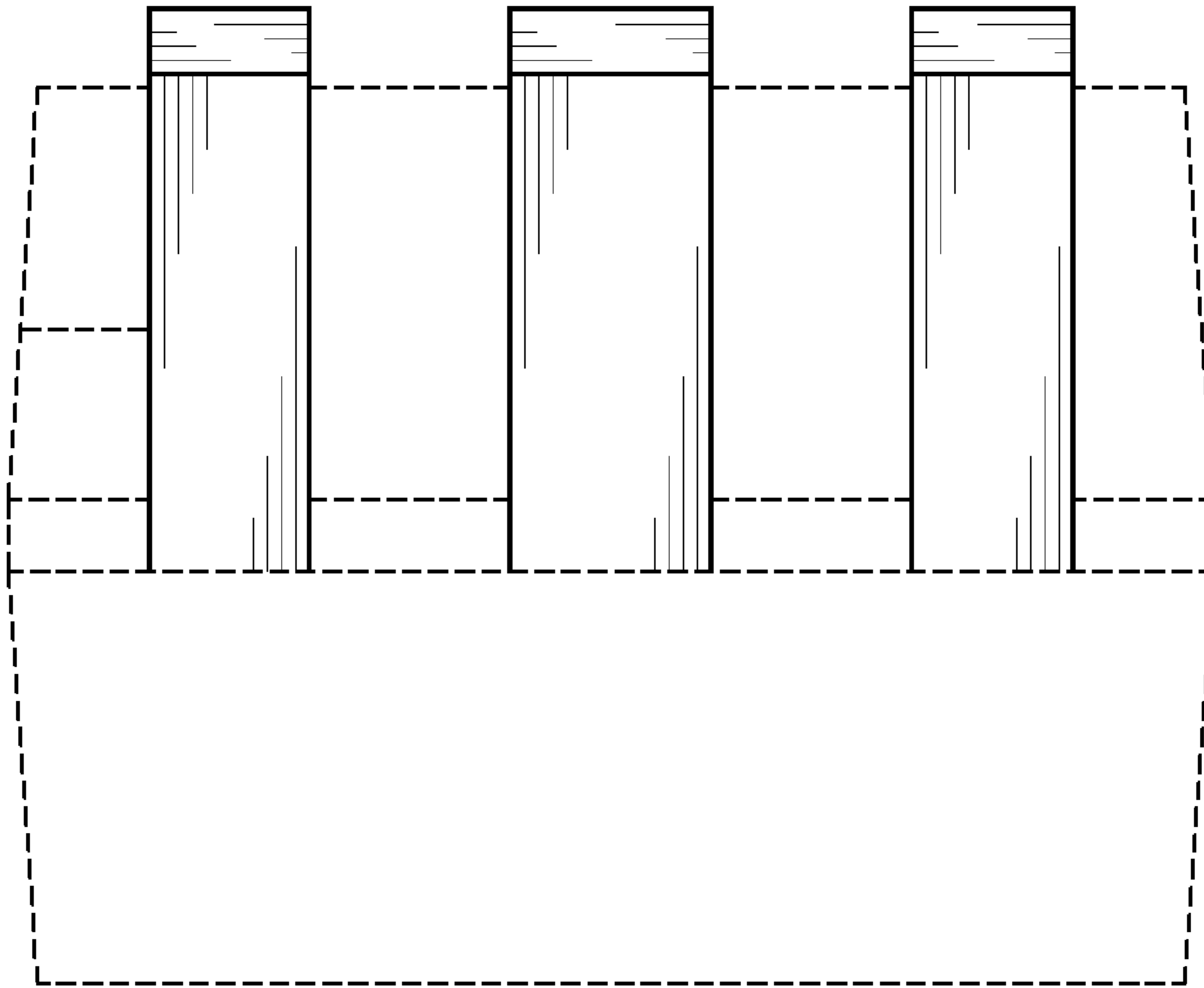


FIG. 5

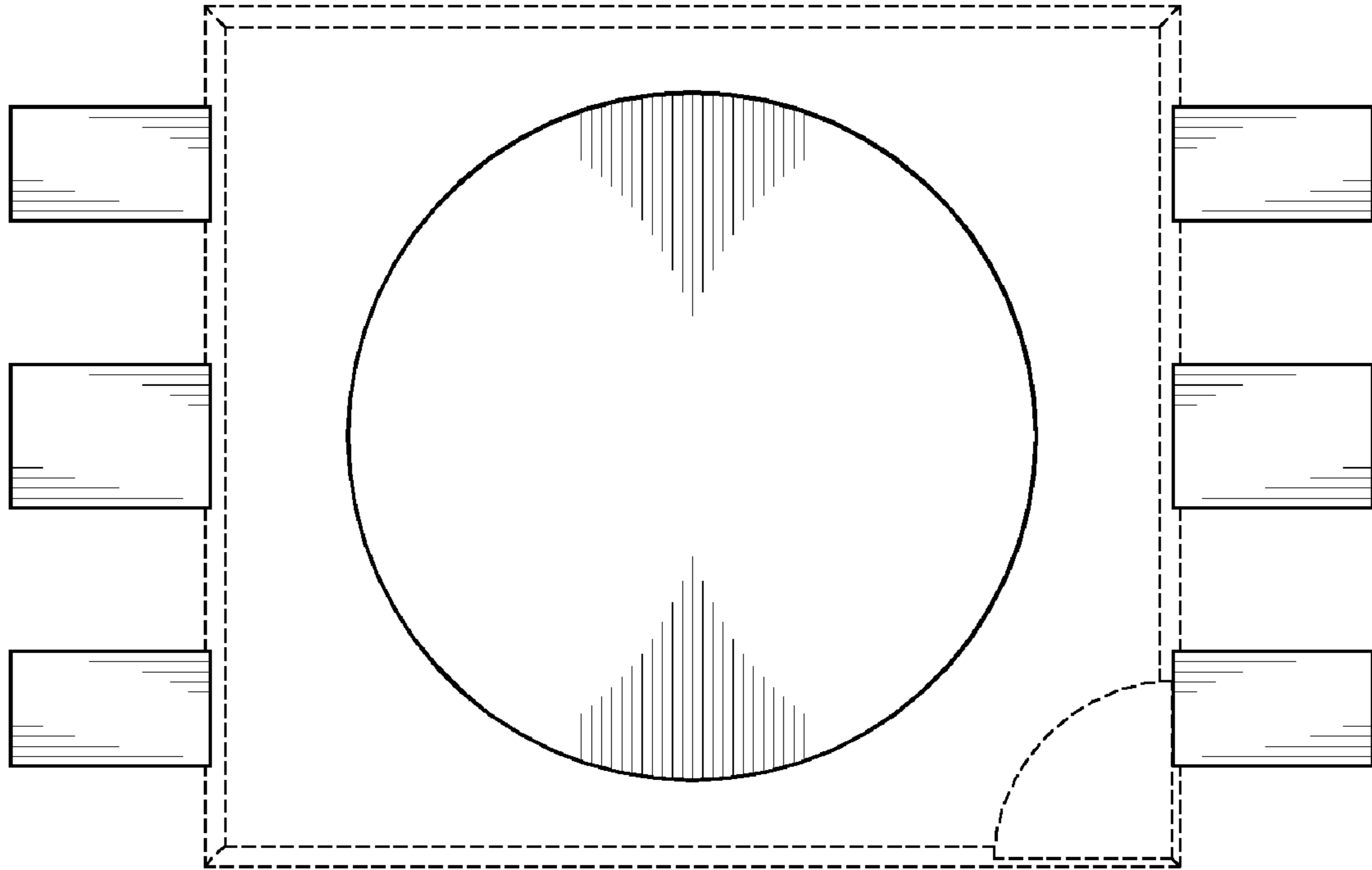


FIG. 6



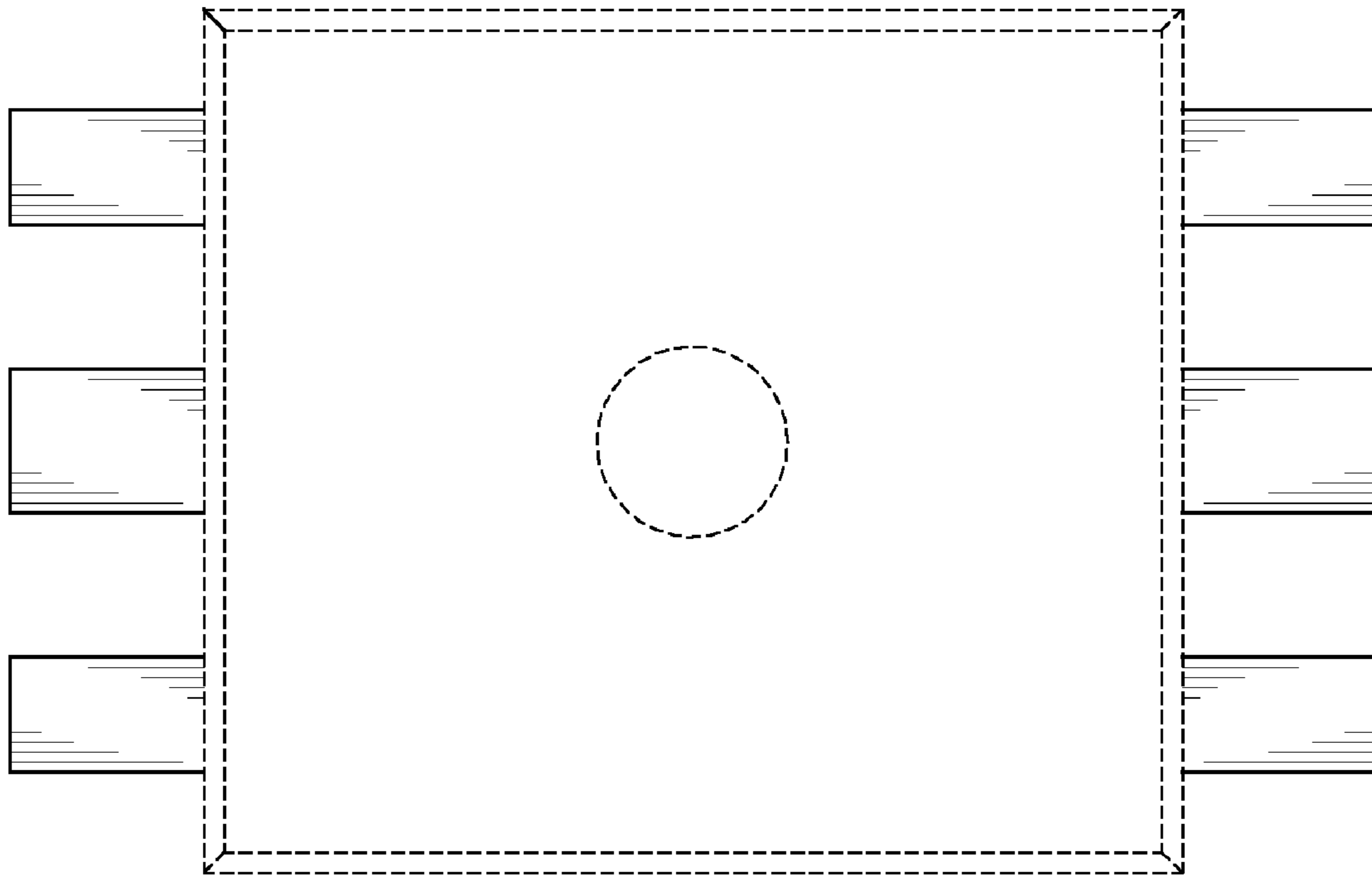


FIG. 7