



US00D627308S

(12) **United States Design Patent**  
**Snyder et al.**

(10) **Patent No.:** **US D627,308 S**  
(45) **Date of Patent:** **\*\* Nov. 16, 2010**

(54) **TABLETOP REMOTE LOAD CONTROL DEVICE**

(75) Inventors: **Gregory M. Snyder**, Allentown, PA (US); **Edward M. Felegy, Jr.**, Macungie, PA (US); **David William Petrillo**, Bethlehem, PA (US); **Gregory Altonen**, Easton, PA (US); **Elliot G. Jacoby**, Glenside, PA (US); **Noel Mayo**, Philadelphia, PA (US)

(73) Assignee: **Lutron Electronics Co., Inc.**, Coopersburg, PA (US)

(\*\*) Term: **14 Years**

(21) Appl. No.: **29/358,034**

(22) Filed: **Mar. 22, 2010**

**Related U.S. Application Data**

(62) Division of application No. 29/332,636, filed on Feb. 20, 2009, now Pat. No. Des. 614,147.

(51) **LOC (9) Cl.** ..... **14-03**

(52) **U.S. Cl.** ..... **D13/168**

(58) **Field of Classification Search** ..... D13/168;  
D10/104, 106; D14/218, 247; 340/825.22,  
340/825.24, 825.25, 825.31, 825.36, 825.69,  
340/825.72; 341/76; 455/352

See application file for complete search history.

(56) **References Cited**

**U.S. PATENT DOCUMENTS**

D353,798 S 12/1994 Bryde et al.

(Continued)

**OTHER PUBLICATIONS**

Lutron Electronics Co., Inc., RadiaRA Visor Control Transmitter Specification Submittal Sheet, Jan. 2002, 2 pages.

(Continued)

*Primary Examiner*—Selina Sikder

(74) *Attorney, Agent, or Firm*—Mark E. Rose; Philip N. Smith; Bridget L. McDonough

(57) **CLAIM**

The ornamental design for a tabletop remote load control device, as shown and described.

**DESCRIPTION**

FIG. 1 is a perspective view of a tabletop remote load control device according to a first embodiment of our new design.

FIG. 2 is a front view thereof.

FIG. 3 is a left side view thereof.

FIG. 4 is a right side view thereof.

FIG. 5 is a top view thereof.

FIG. 6 is a bottom view thereof.

FIG. 7 is a perspective view of a tabletop remote load control device according to a second embodiment of our new design.

FIG. 8 is a front view thereof.

FIG. 9 is a bottom view thereof, the left side, right side, and top views, respectively, of the second embodiment being identical to the left side, right side, and top views of the first embodiment.

FIG. 10 is a perspective view of a tabletop remote load control device according to a third embodiment of our new design.

FIG. 11 is a front view thereof.

FIG. 12 is a left side view thereof.

FIG. 13 is a right side view thereof.

FIG. 14 is a top view thereof.

FIG. 15 is a bottom view thereof.

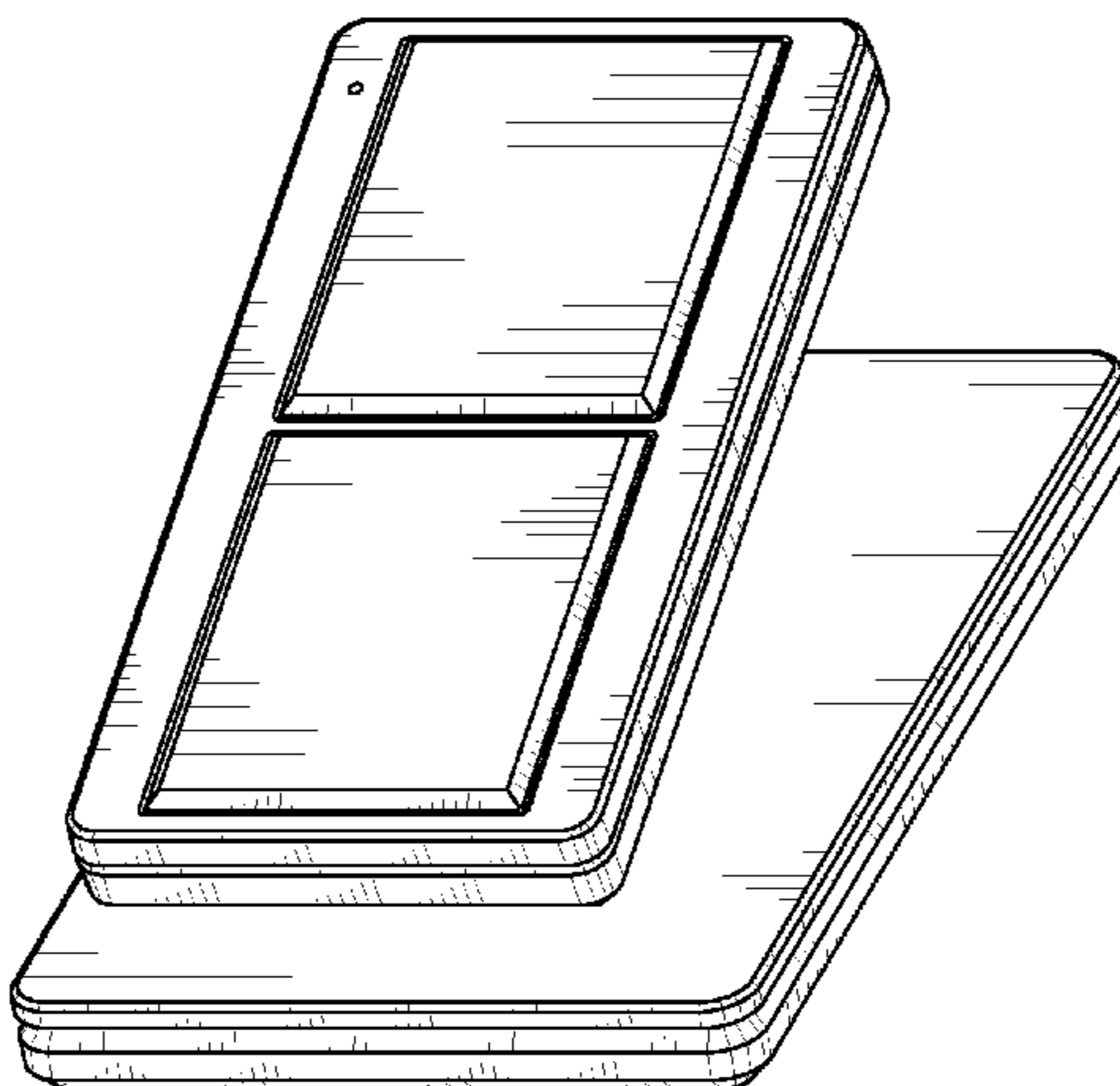
FIG. 16 is a perspective view of a tabletop remote load control device according to a fourth embodiment of our new design.

FIG. 17 is a front view thereof; and,

FIG. 18 is a bottom view thereof, the left side, right side, and top views, respectively, of the fourth embodiment being identical to the left side, right side, and top views of the third embodiment.

The rear views form no part of the design and are omitted.

**1 Claim, 14 Drawing Sheets**



# US D627,308 S

Page 2

---

## U.S. PATENT DOCUMENTS

D422,567 S	4/2000	Mayo et al.	D602,446 S	10/2009	Felegy, Jr. et al.
D437,585 S	2/2001	Mayo et al.	D606,030 S	12/2009	Felegy, Jr. et al.
D439,220 S	3/2001	Mayo et al.	D606,500 S	12/2009	Snyder et al.
D450,043 S	11/2001	Mosebrook	D611,431 S	3/2010	Snyder et al.
D518,447 S	4/2006	Spira	D611,915 S	3/2010	Felegy, Jr. et al.
D525,948 S	8/2006	Blair et al.	D614,146 S	4/2010	Felegy, Jr. et al.
D537,046 S	2/2007	Blair et al.	D614,147 S	4/2010	Snyder et al.
D539,234 S	3/2007	Blair et al.	D615,046 S	5/2010	Felegy, Jr. et al.
D539,758 S	4/2007	Blair et al.	D616,835 S	6/2010	Felegy, Jr. et al.
D543,158 S	5/2007	Blair et al.	D616,836 S	6/2010	Felegy, Jr. et al.
D543,951 S	6/2007	Blair et al.	2008/0111491 A1	5/2008	Spira
D546,296 S	7/2007	Blair et al.	2008/0218099 A1	9/2008	Newman
D573,955 S	2/2009	Bhate et al.	2009/0251352 A1	10/2009	Altonen et al.
D585,844 S	2/2009	Bhate et al.			
D592,606 S	5/2009	Felegy, Jr. et al.			
D592,607 S	5/2009	Felegy, Jr. et al.			
D592,608 S	5/2009	Felegy, Jr. et al.			
D592,609 S	5/2009	Felegy, Jr. et al.			
D592,611 S	5/2009	Altonen et al.			
D596,143 S	7/2009	Felegy, Jr. et al.			

## OTHER PUBLICATIONS

Lutron Electronics Co., Inc., RadioRA Visor Control Transmitter Installation Instruction Sheet, Nov. 2001, 2 pages.  
Lutron Electronics Co., Inc., Aurora Wireless Lighting Control Brochure, Nov. 2006, 2 pages.  
Lutron Electronics Co., Inc., Maestro Wireless Remote Lighting Control Brochure, Sep. 2007, 2 pages.  
U.S. Appl. No. 29/330,445, filed Jan. 7, 2009, Felegy, Jr. et al.

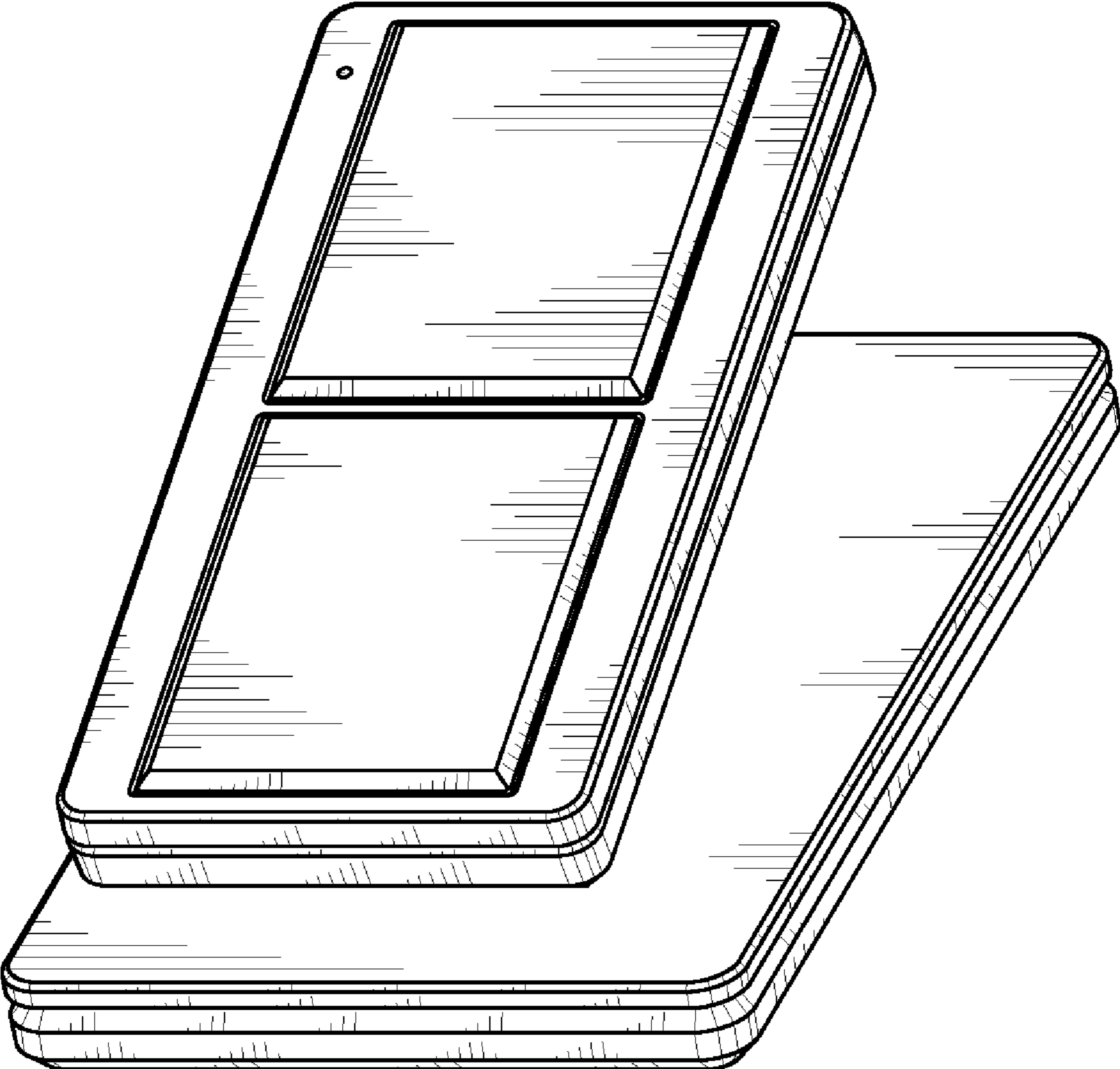


Fig. 1

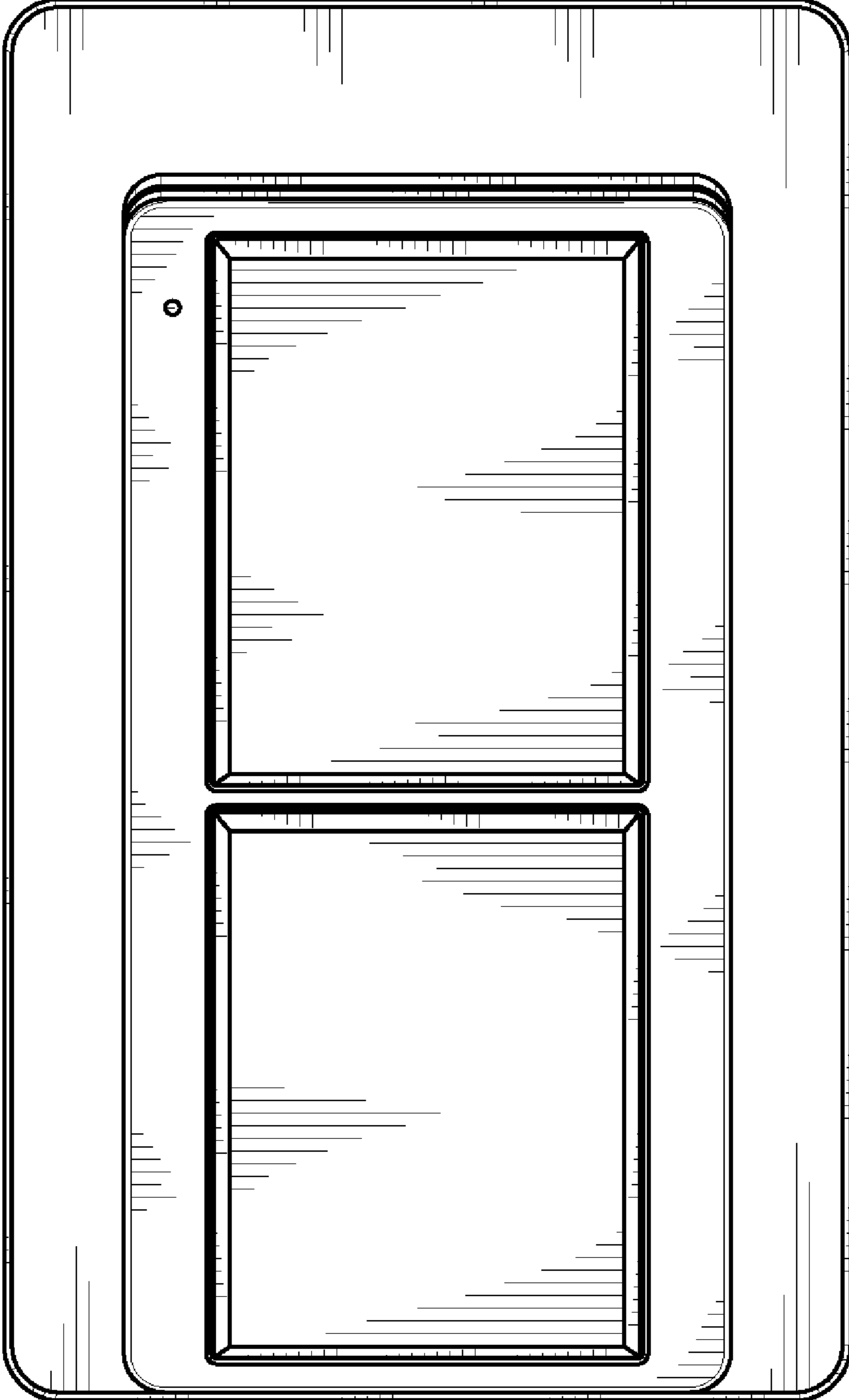


Fig. 2

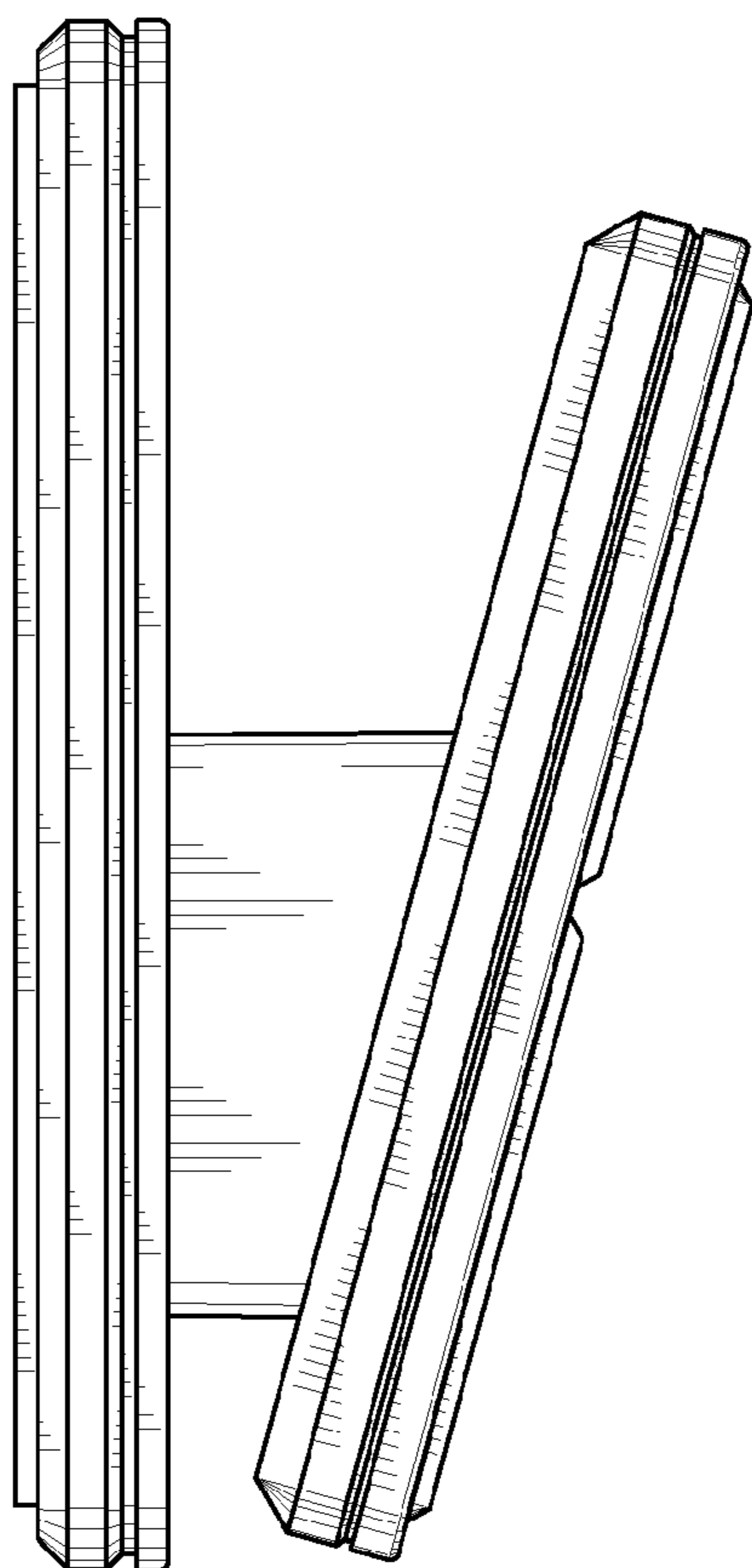


Fig. 3

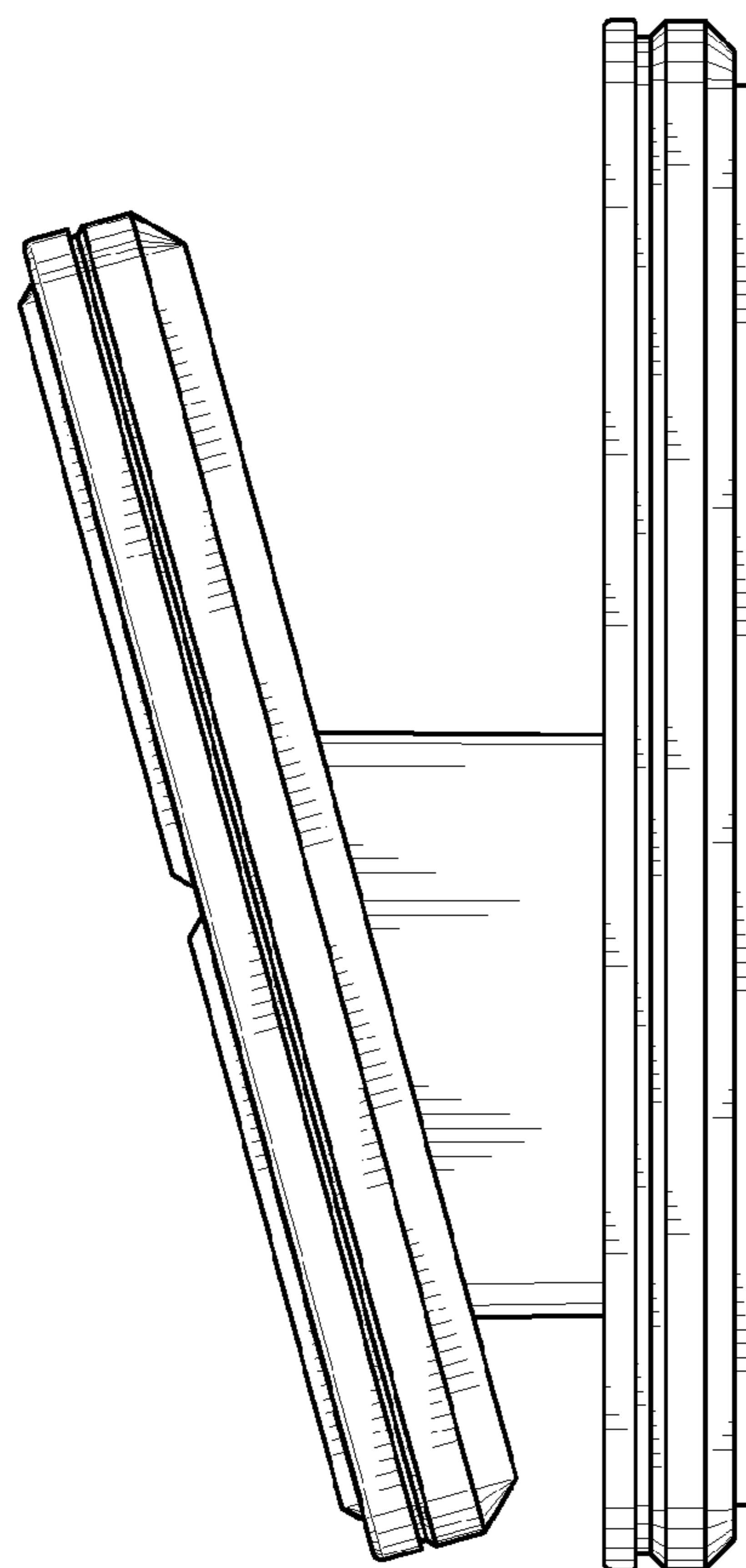


Fig. 4

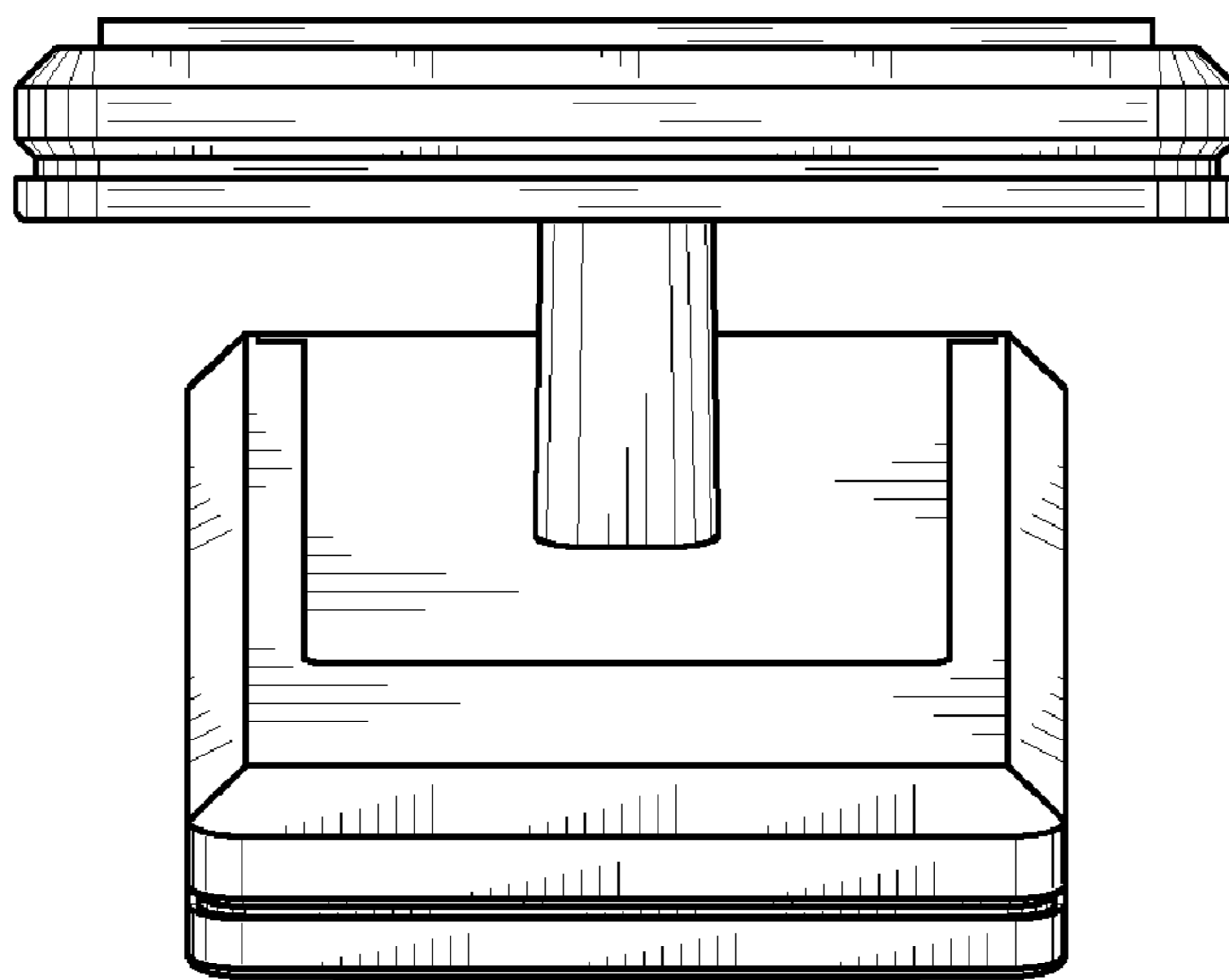


Fig. 5

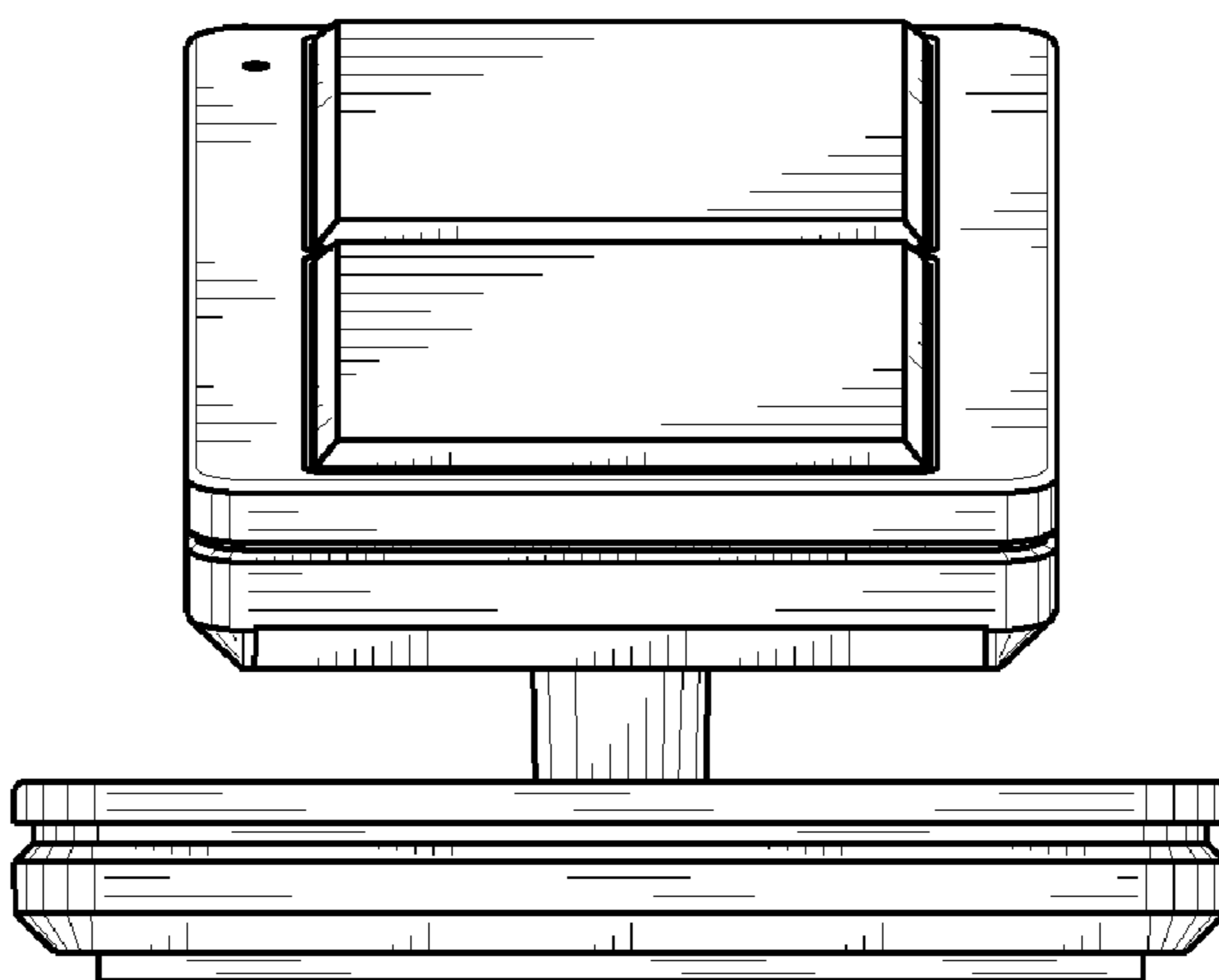


Fig. 6



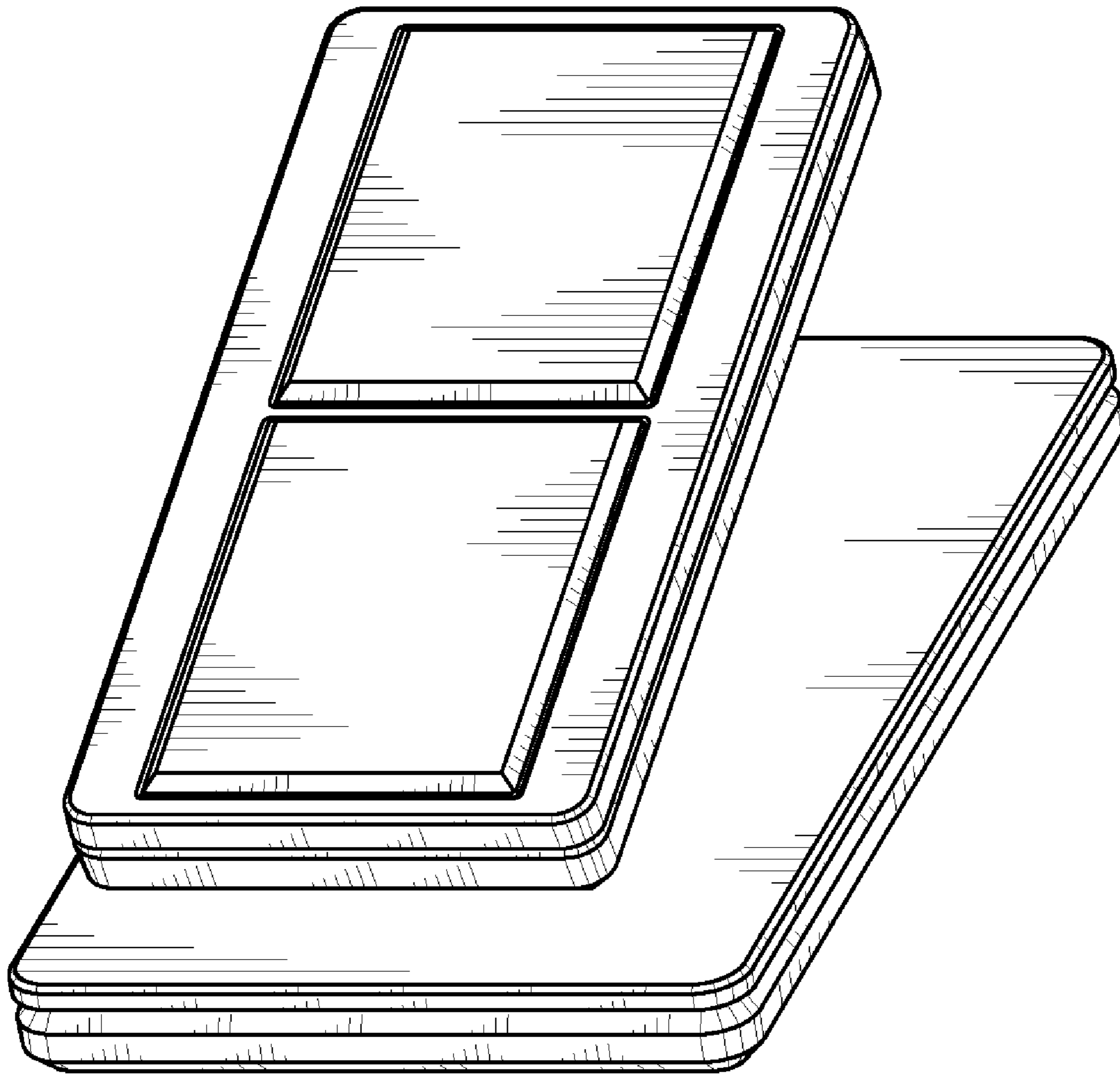


Fig. 7

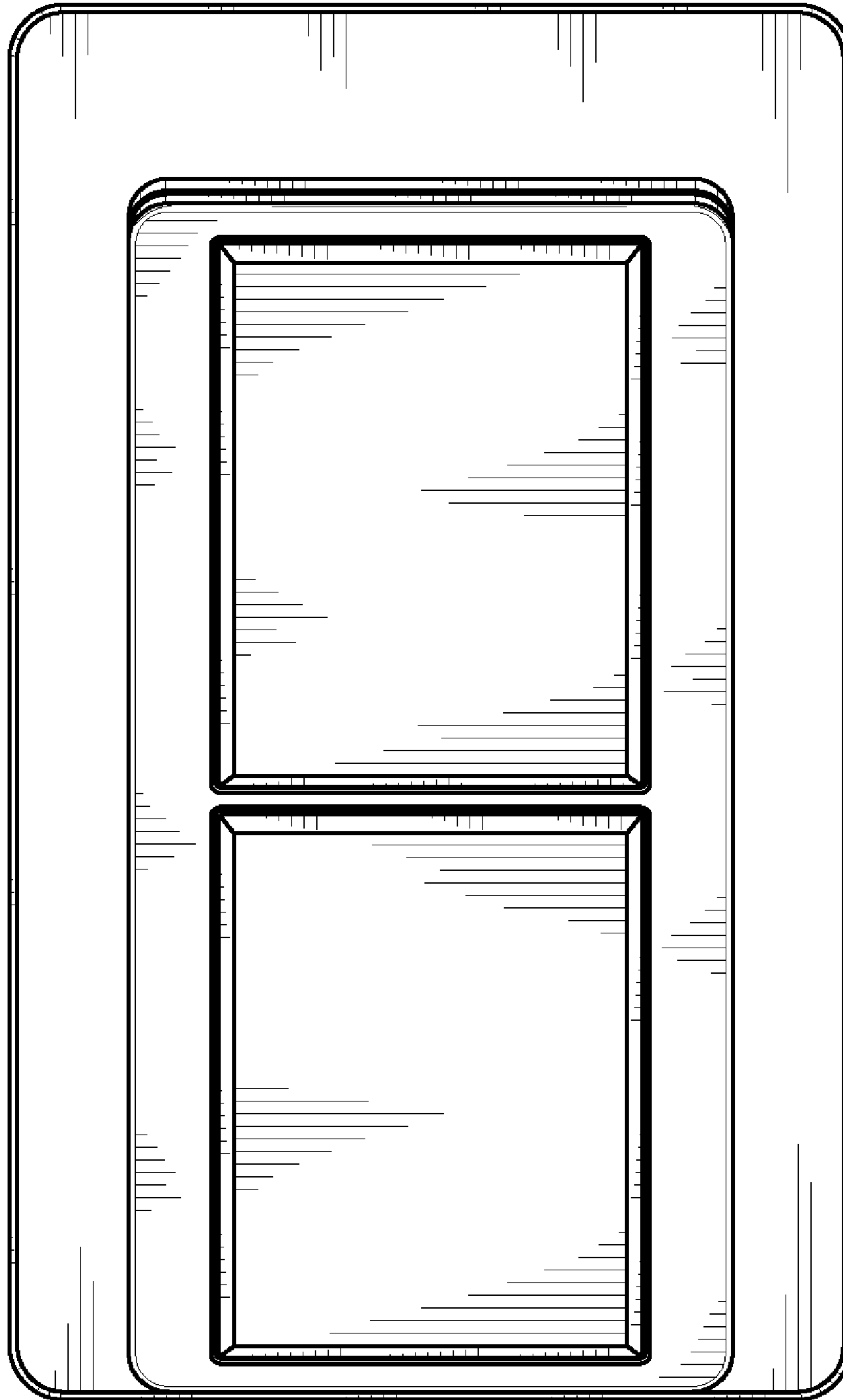


Fig. 8



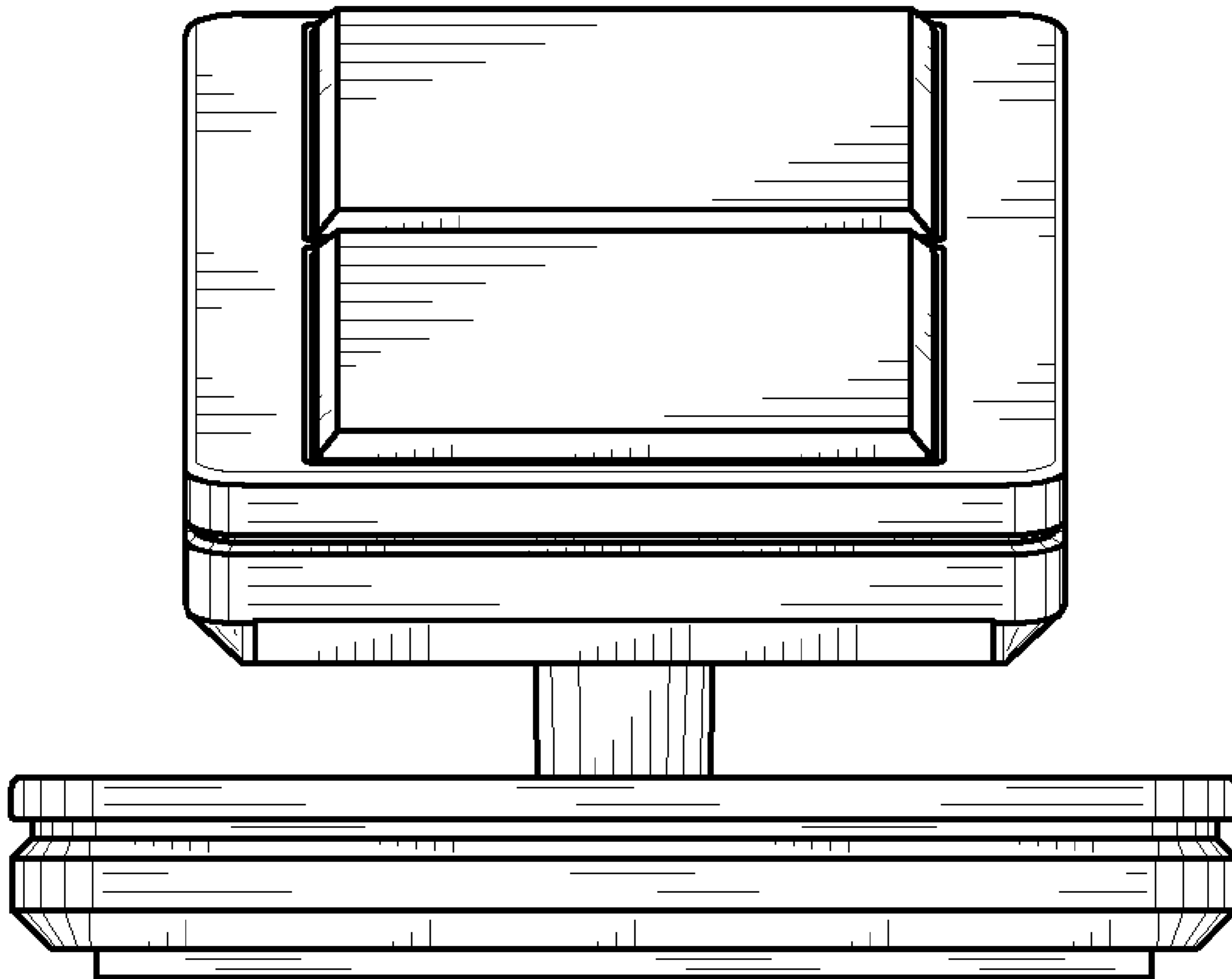


Fig. 9

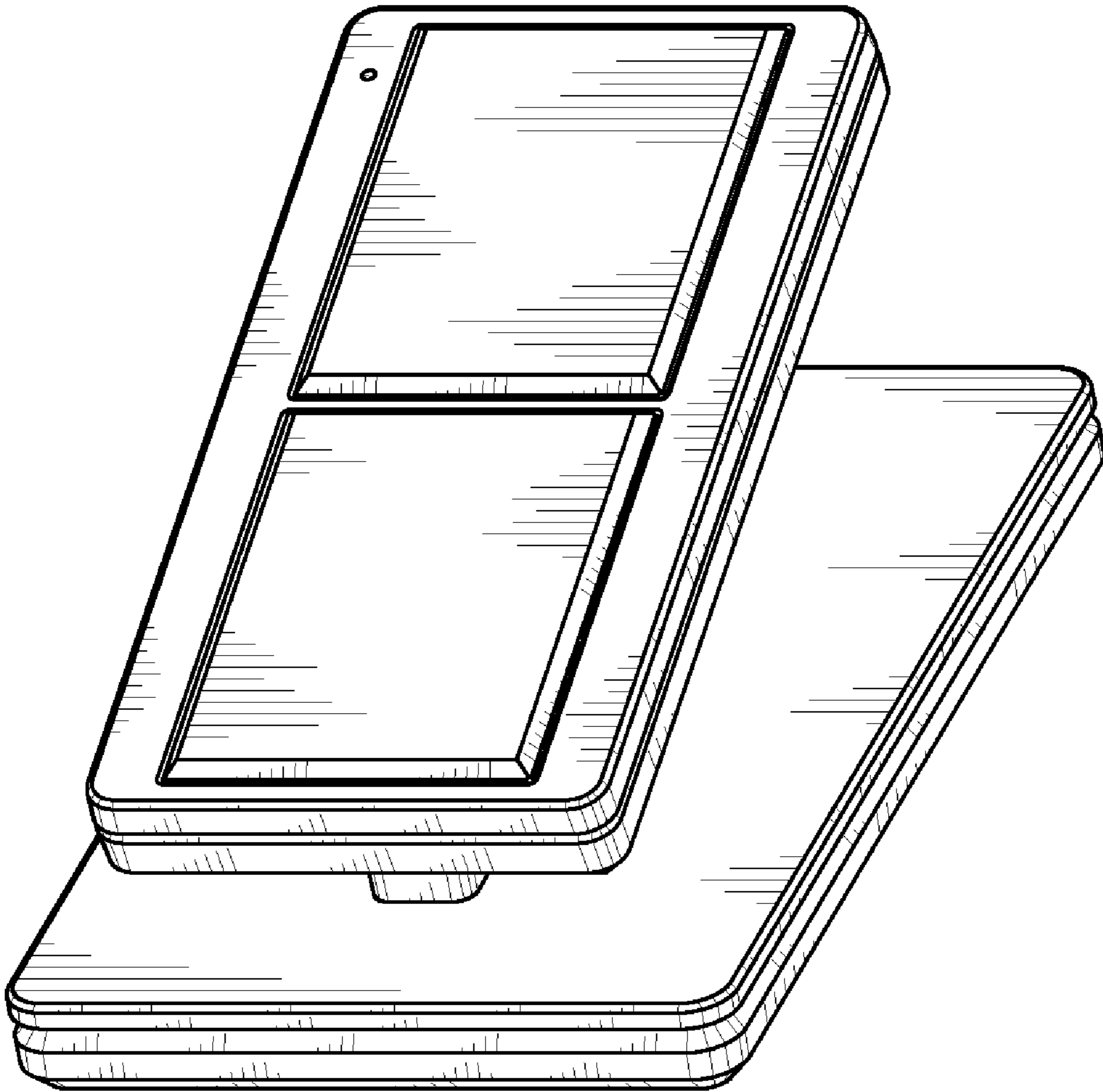


Fig. 10

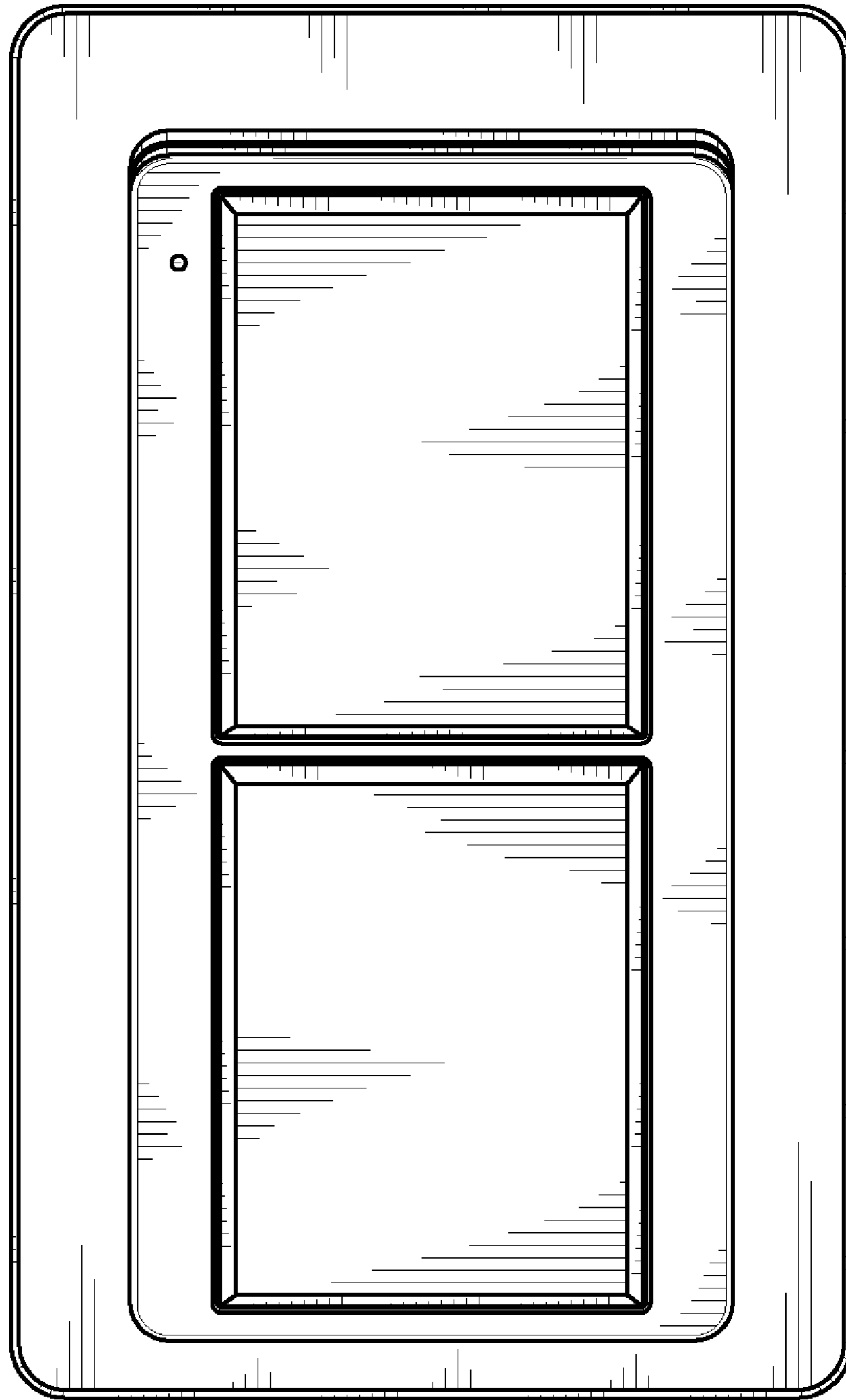


Fig. 11

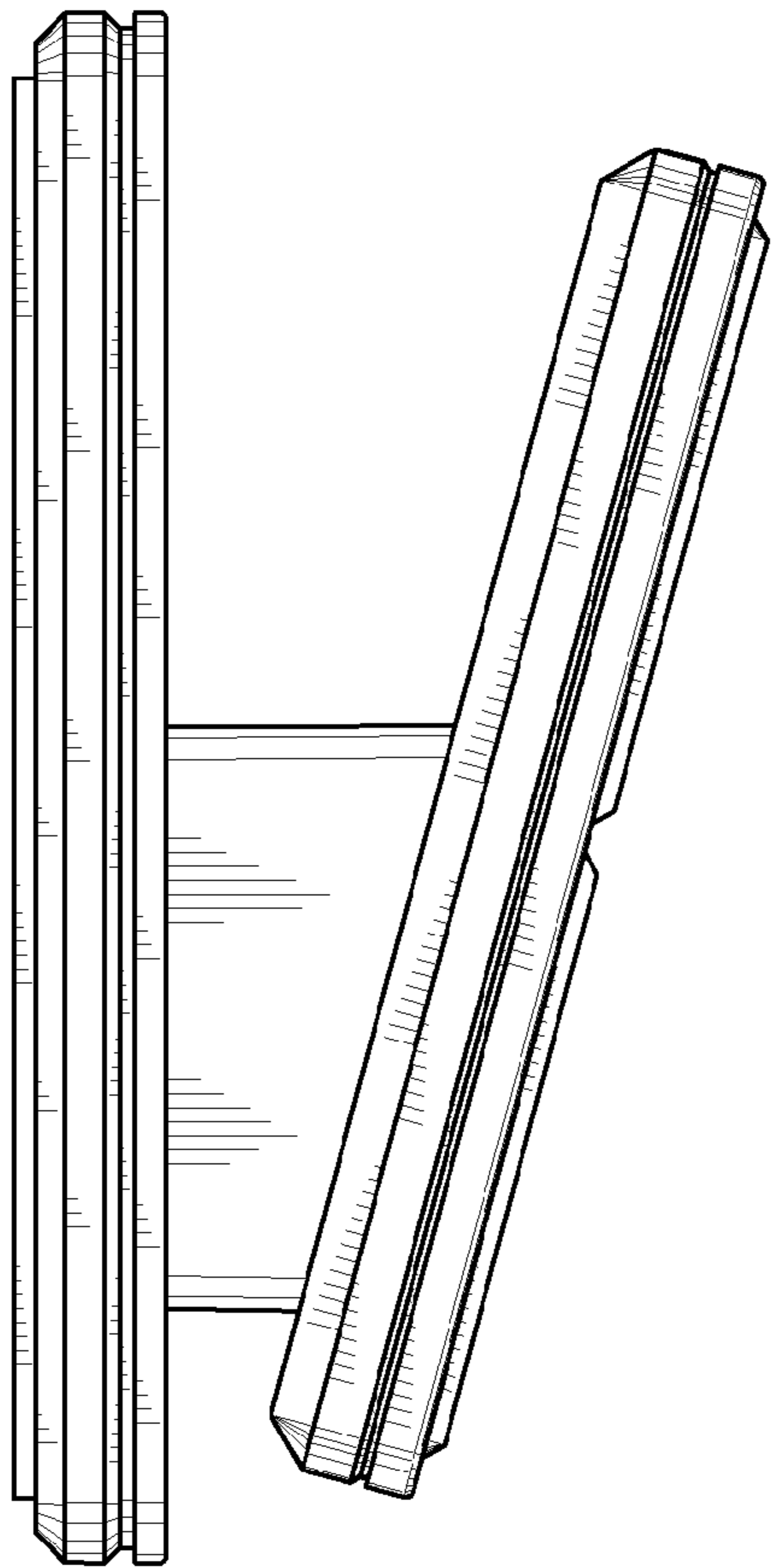


Fig. 12

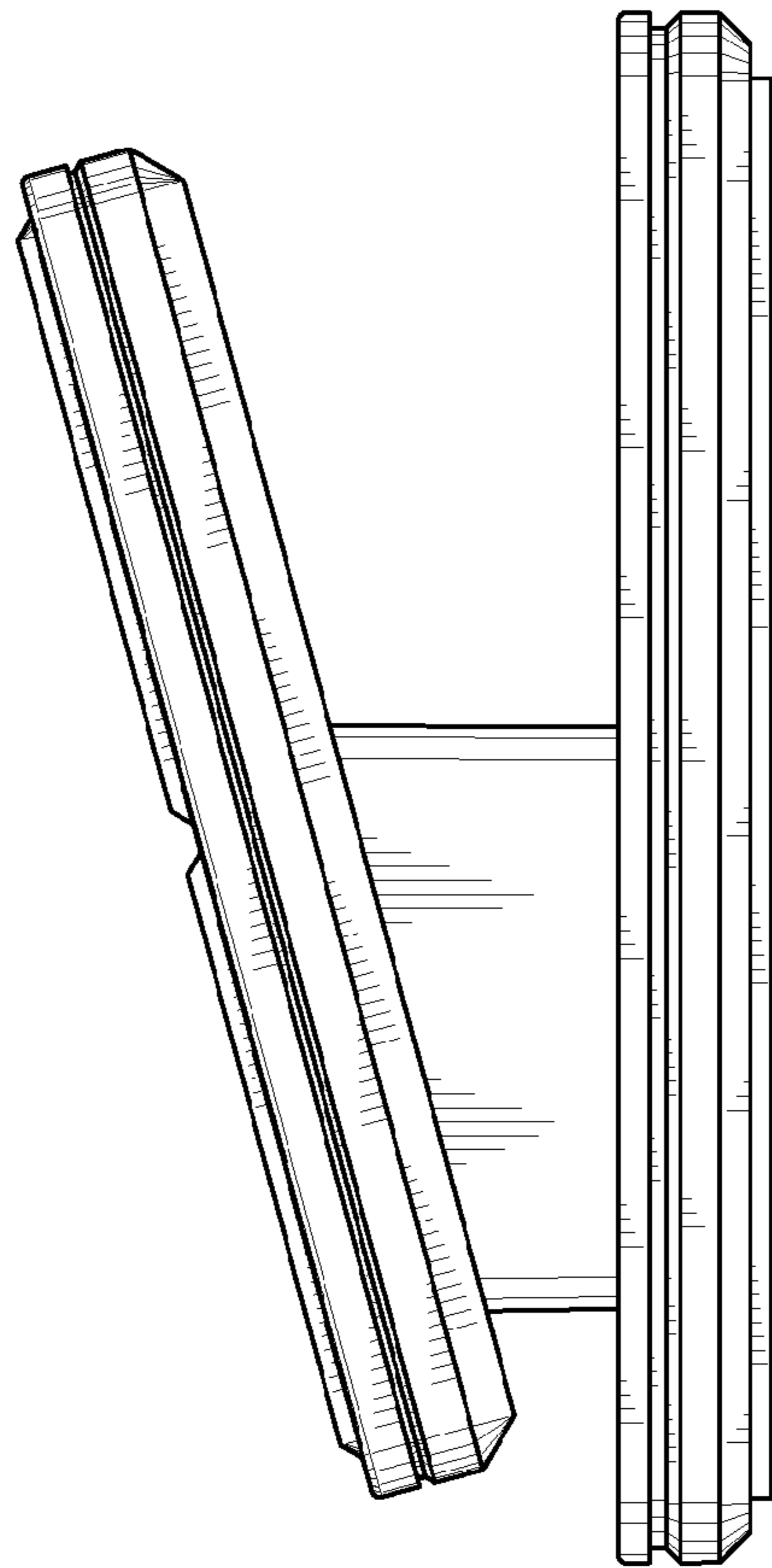


Fig. 13

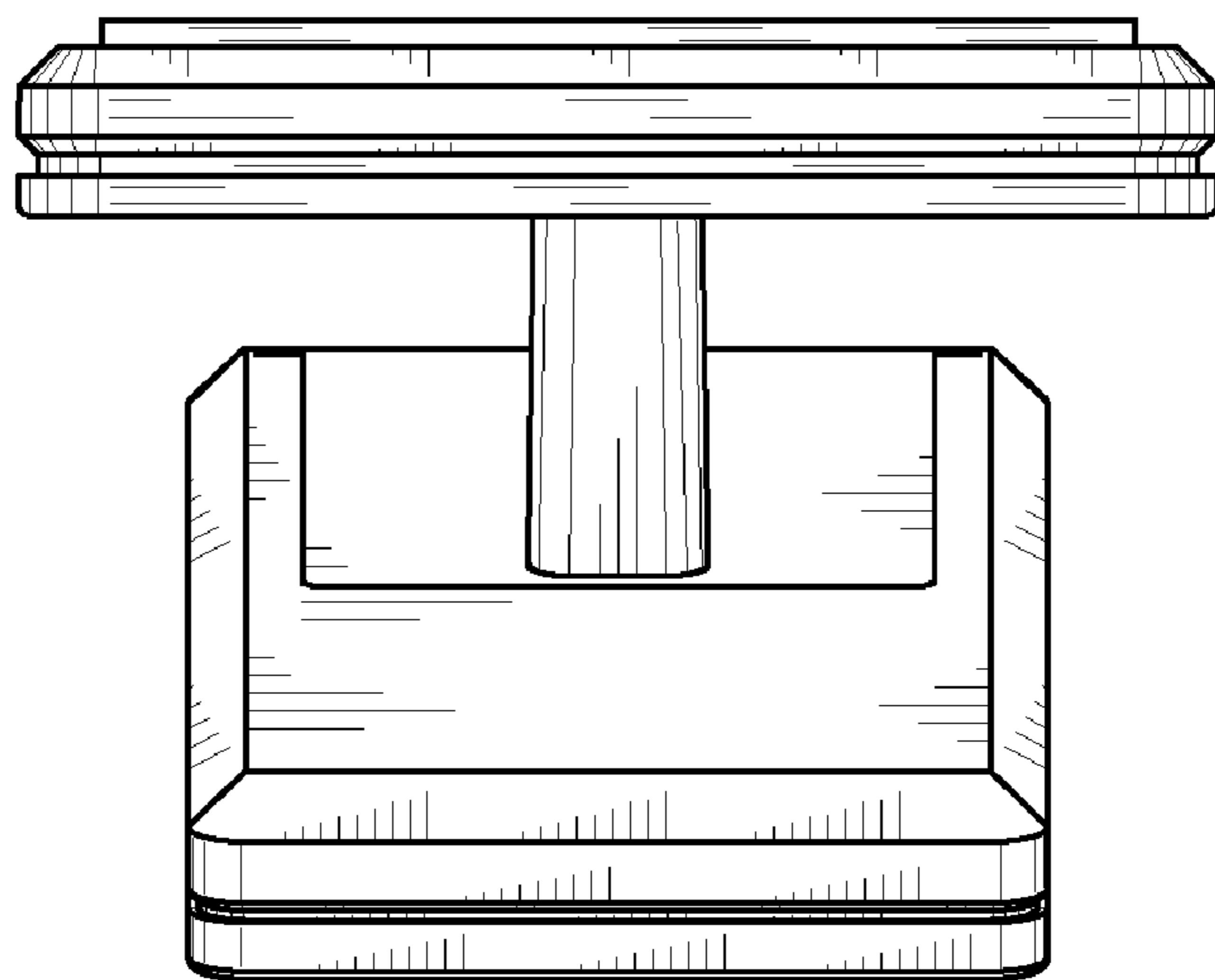


Fig. 14

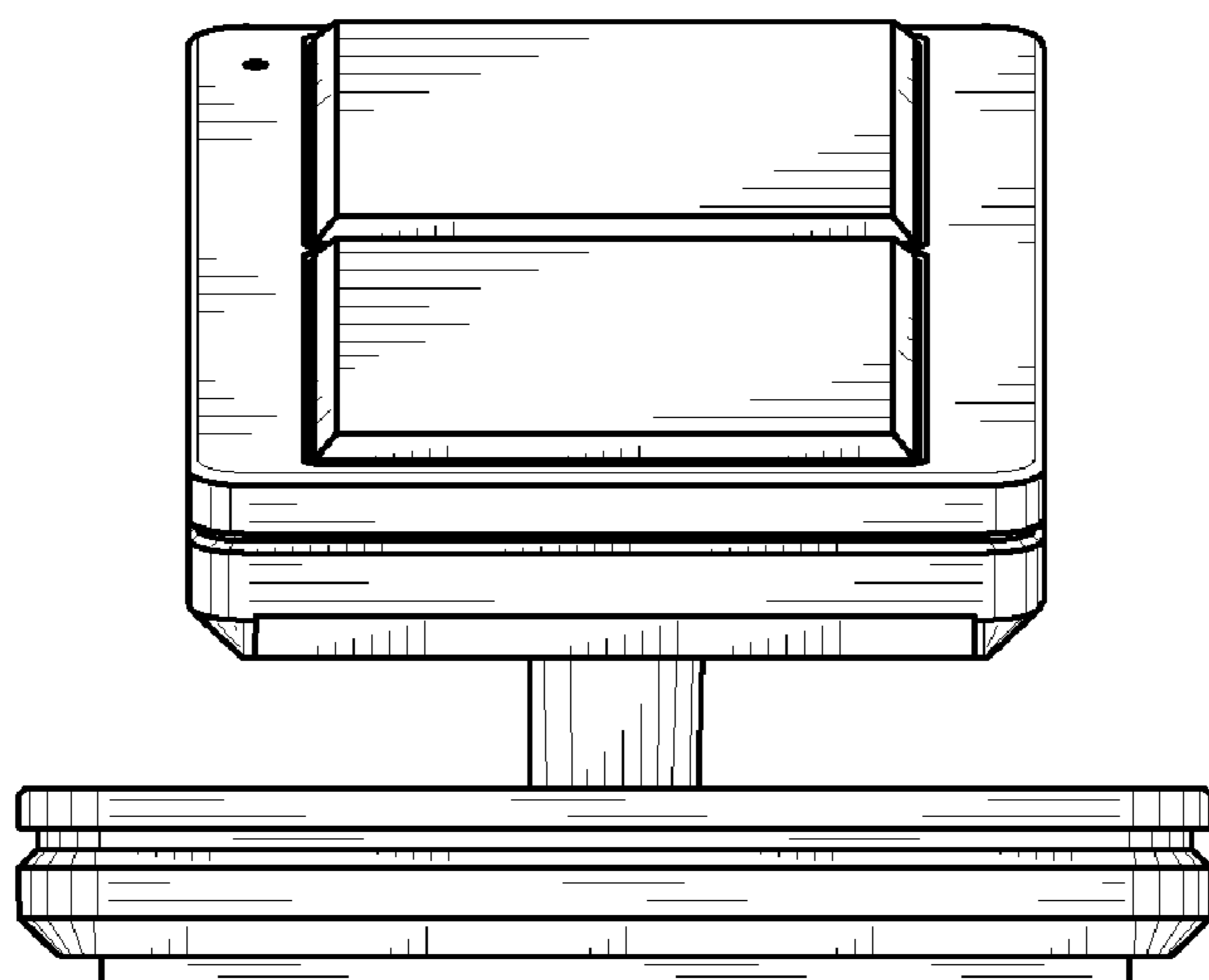


Fig. 15

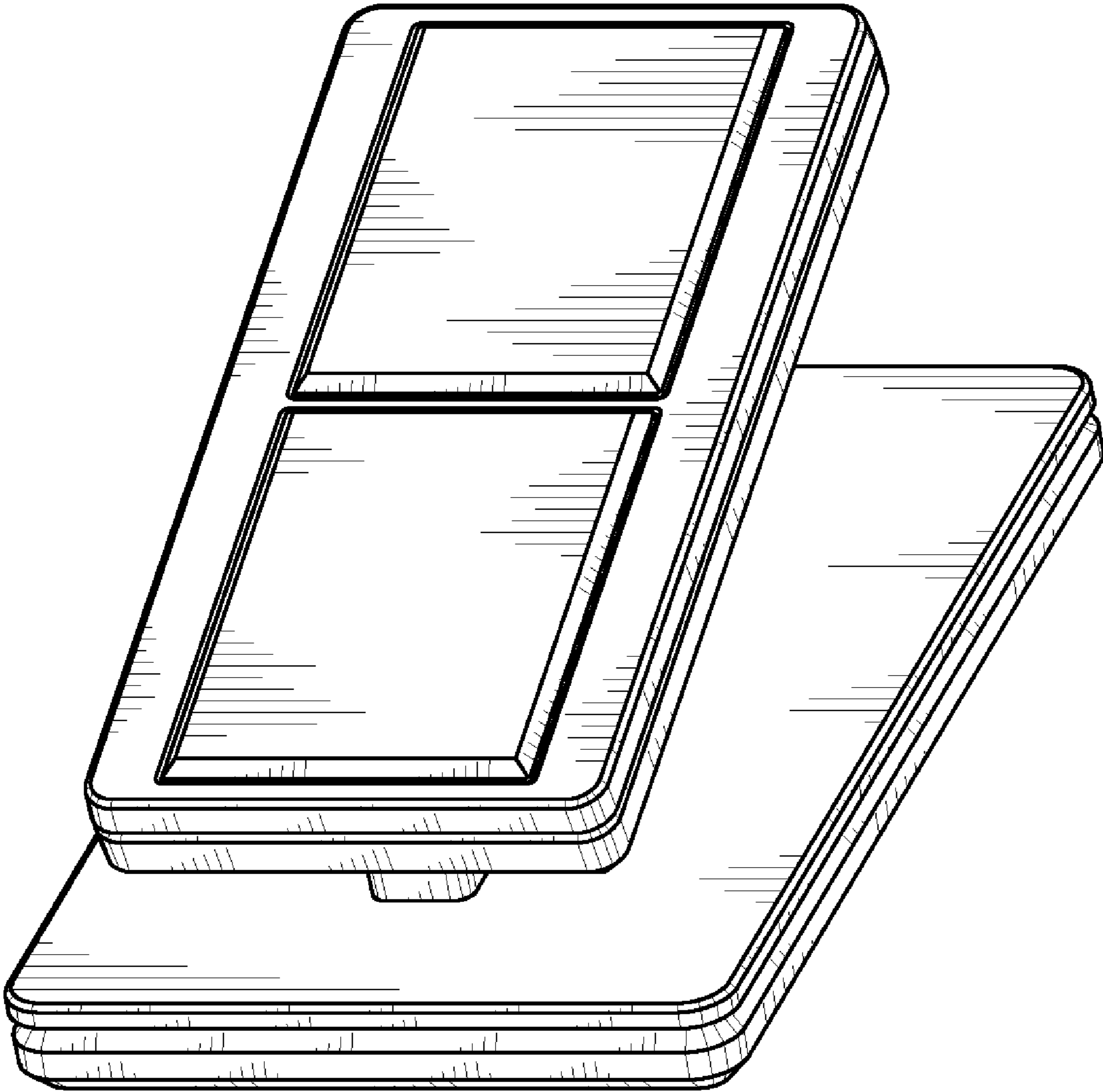


Fig. 16

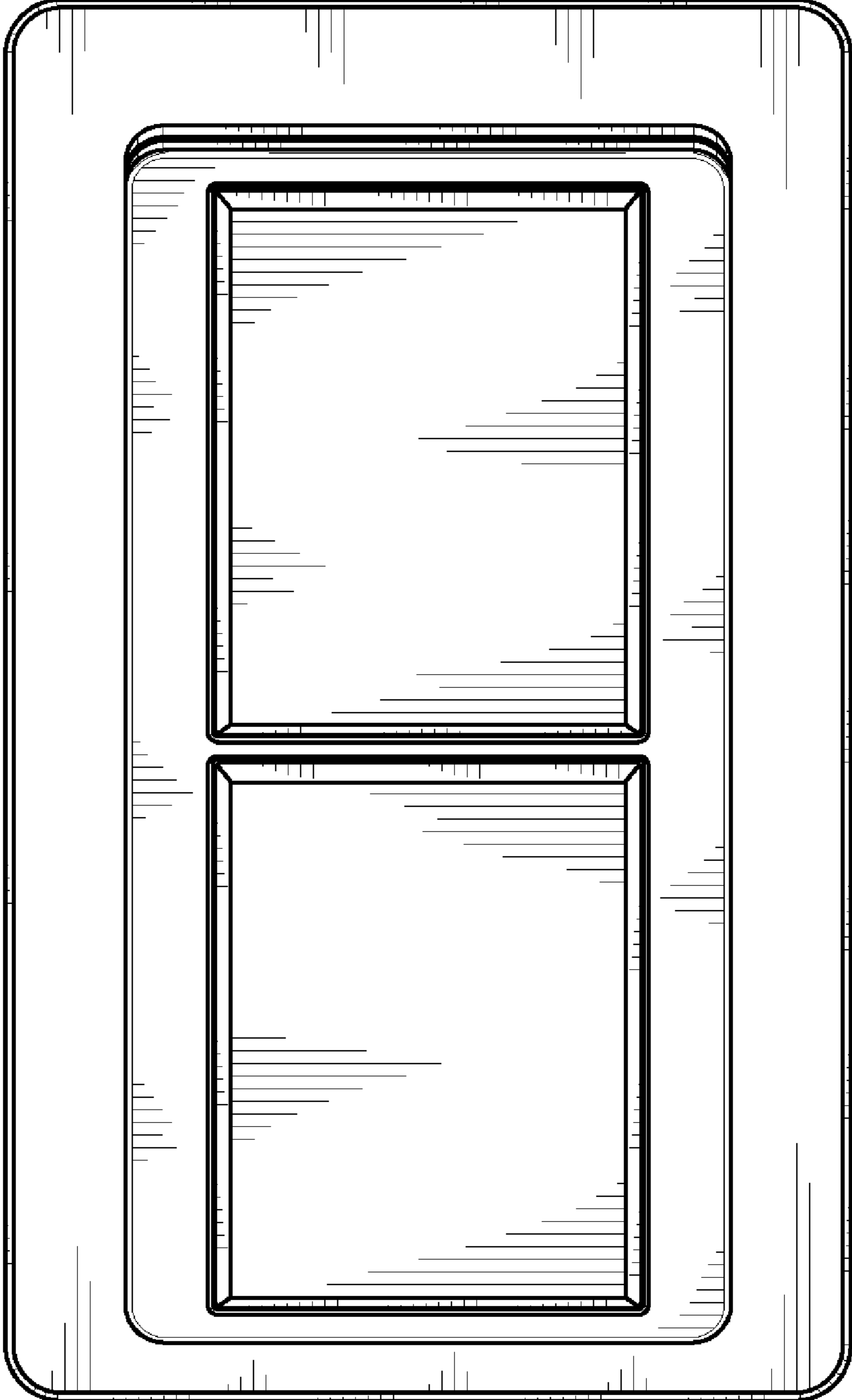


Fig. 17



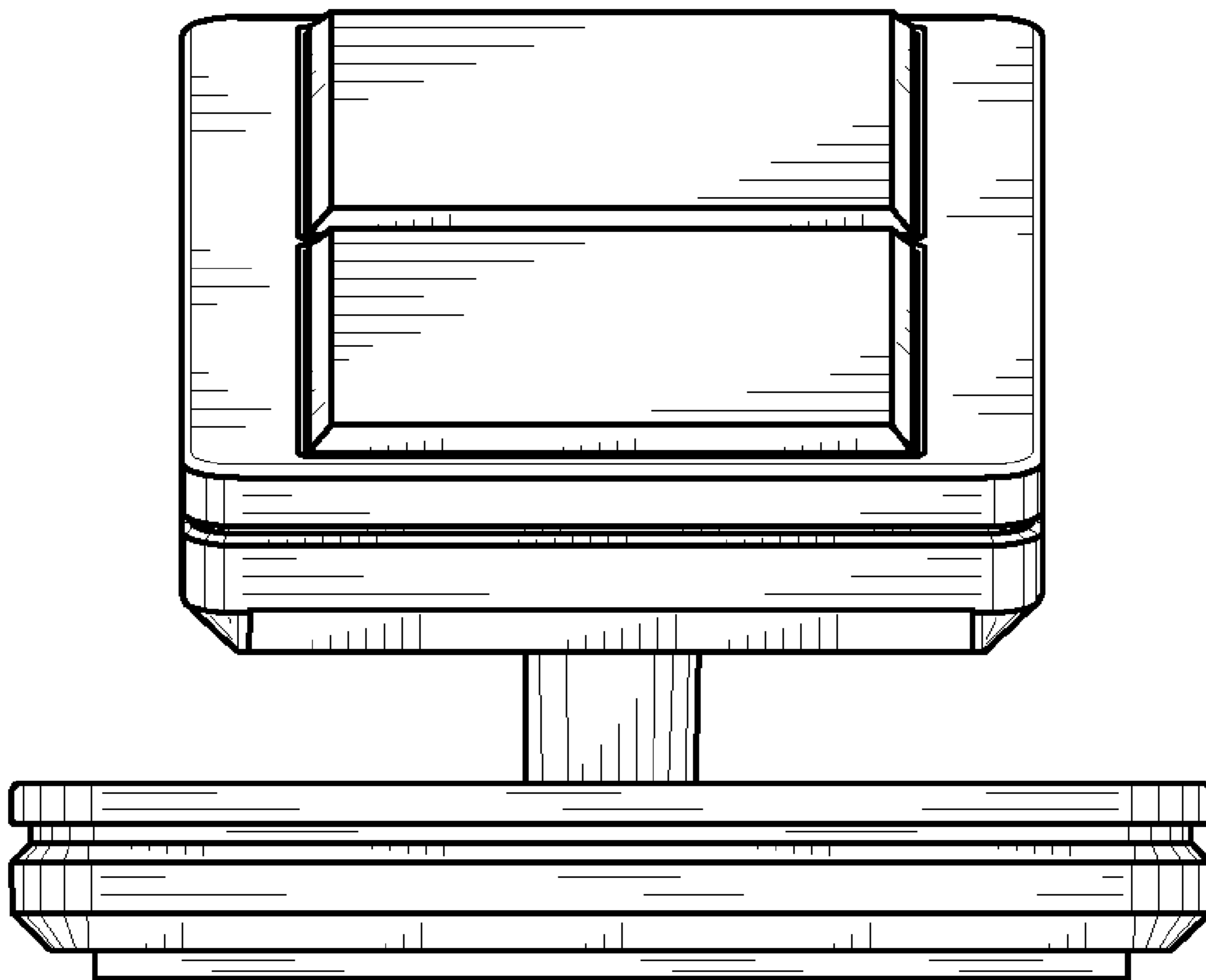


Fig. 18