



US00D627304S

(12) **United States Design Patent**
Huang et al.

(10) **Patent No.:** **US D627,304 S**

(45) **Date of Patent:** **** Nov. 16, 2010**

(54) **CONTACT**

(75) Inventors: **Cheng-Qiang Huang**, Guang-Dong (CN); **Bing-Tao Yang**, Guang-Dong (CN); **Yin-Lung Wu**, Tu-Cheng (TW); **Ming-Chiang Chen**, Tu-Cheng (TW)

(73) Assignee: **Cheng Uei Precision Industry Co., Ltd.**, Tu-Cheng, Taipei Hsien (TW)

(**) Term: **14 Years**

(21) Appl. No.: **29/359,868**

(22) Filed: **Apr. 16, 2010**

(51) **LOC (9) Cl.** **13-03**

(52) **U.S. Cl.** **D13/154**

(58) **Field of Classification Search** D13/154,
D13/184; 439/395-400, 845, 849-852, 861-862,
439/884-885, 888-891

See application file for complete search history.

(56) **References Cited**

U.S. PATENT DOCUMENTS

D383,380 S * 9/1997 Kempf et al. D8/395
D516,521 S * 3/2006 Yao et al. D13/154

D585,031 S * 1/2009 Hung D13/154
D601,970 S * 10/2009 Peng et al. D13/154
D607,834 S * 1/2010 Huang D13/154

* cited by examiner

Primary Examiner—Daniel D Bui

(74) *Attorney, Agent, or Firm*—Cheng-Ju Chiang

(57) **CLAIM**

The ornamental design for a contact, as shown and described.

DESCRIPTION

FIG. 1 is a perspective view of a contact showing our new design;

FIG. 2 is a front elevational view thereof;

FIG. 3 is a rear elevational view thereof;

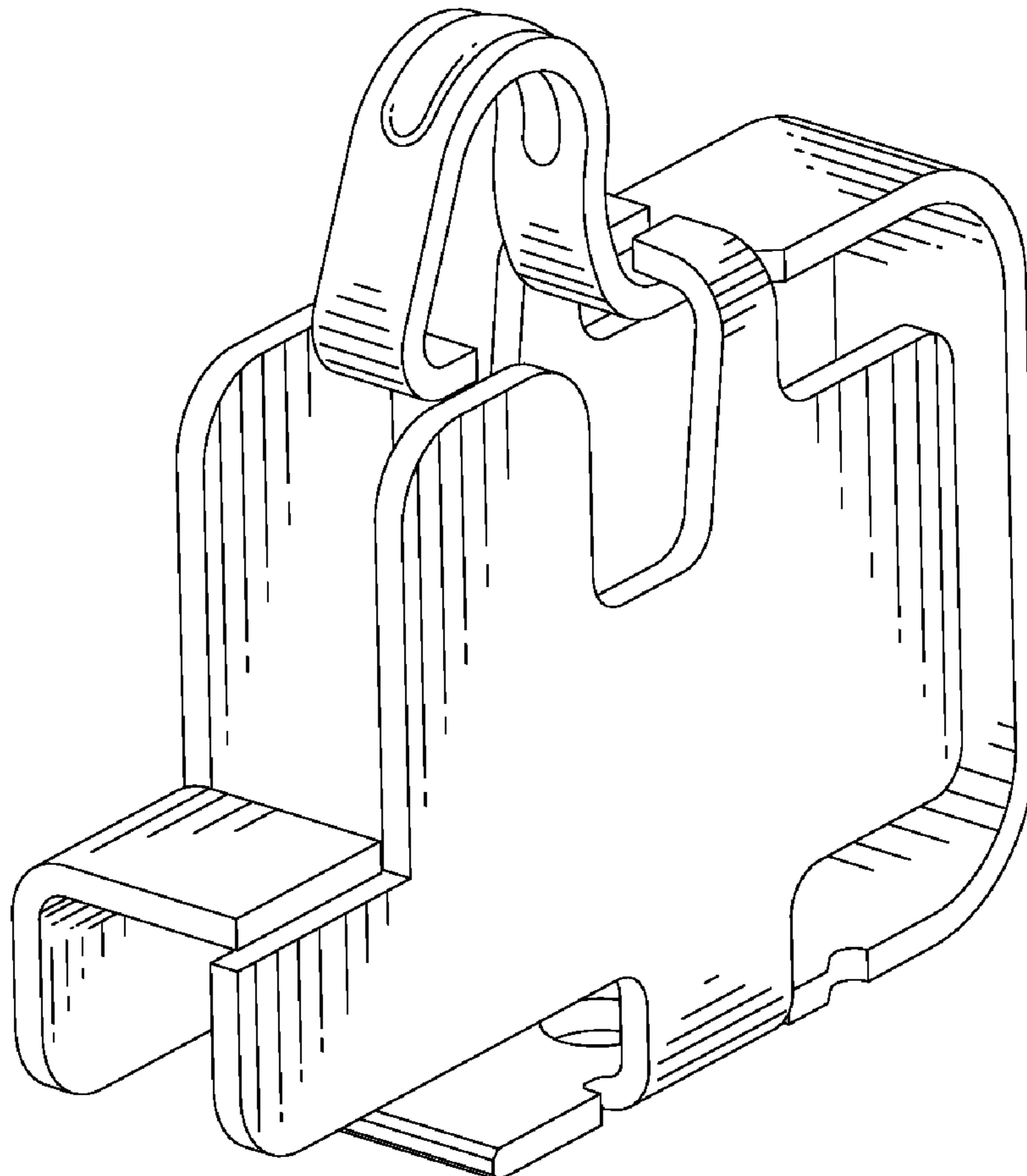
FIG. 4 is a left side elevational view thereof;

FIG. 5 is a right side elevational view thereof;

FIG. 6 is a top plan view thereof; and,

FIG. 7 is a bottom plan view thereof.

1 Claim, 7 Drawing Sheets



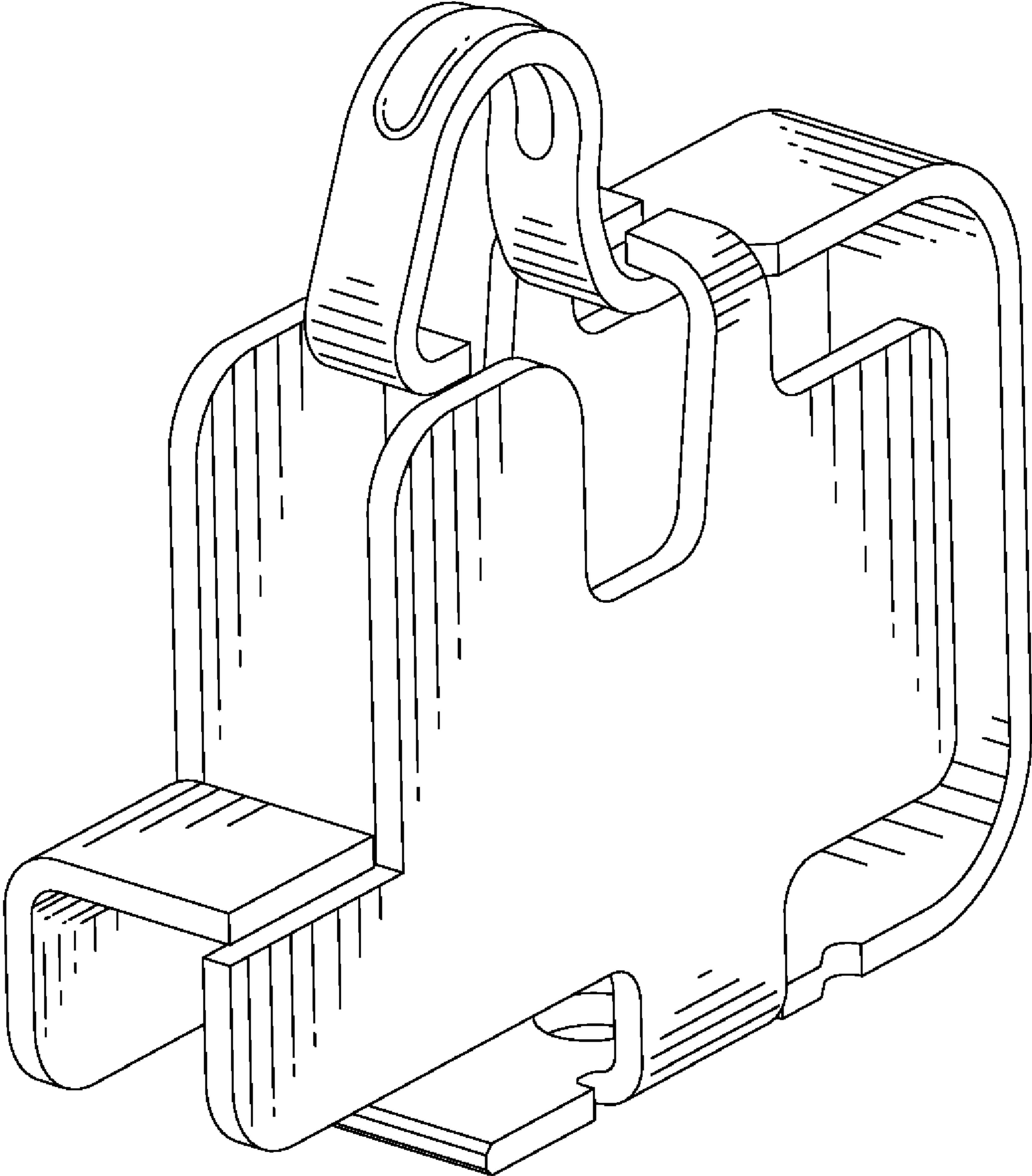


FIG. 1

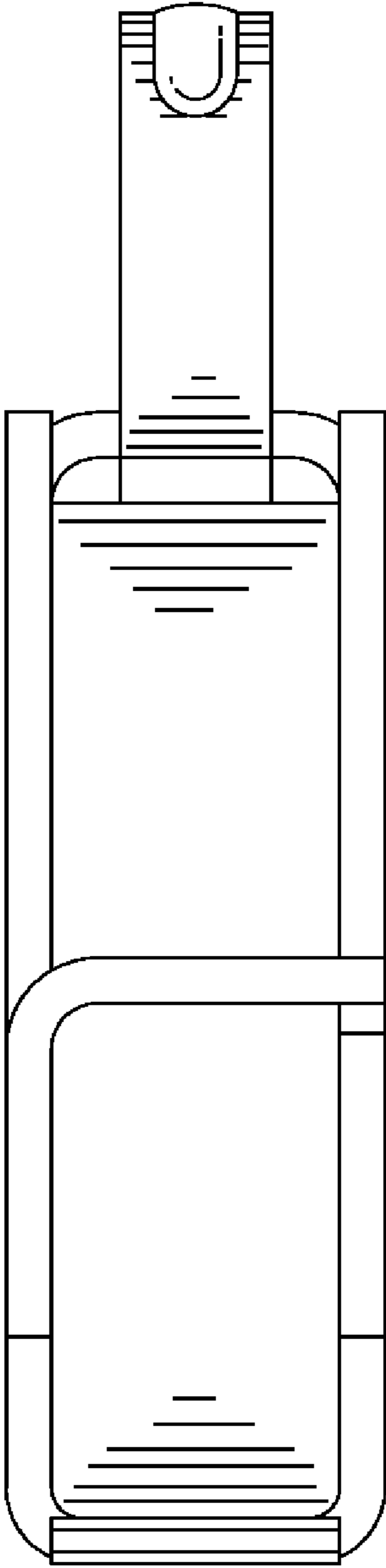


FIG. 2

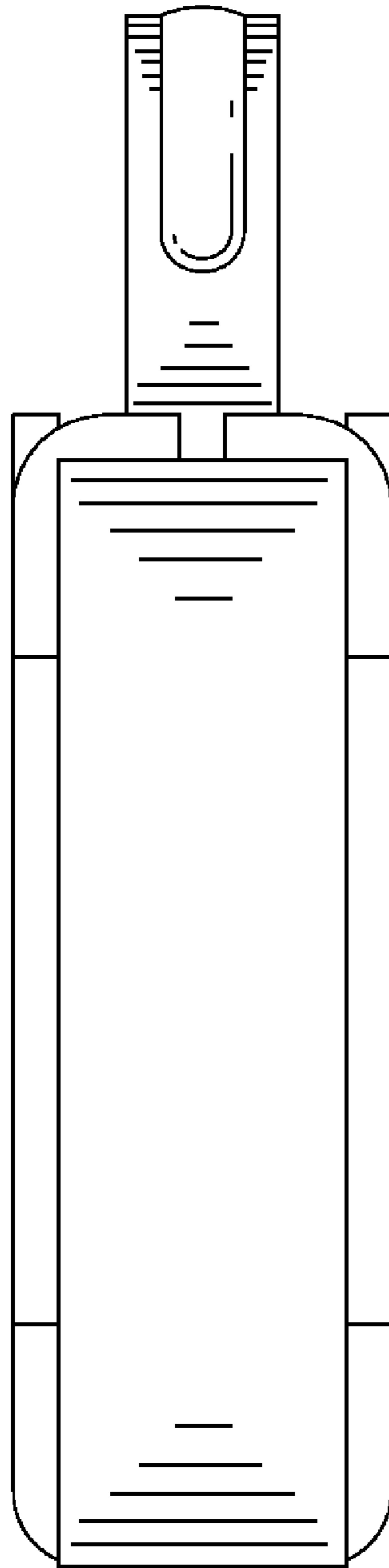


FIG. 3

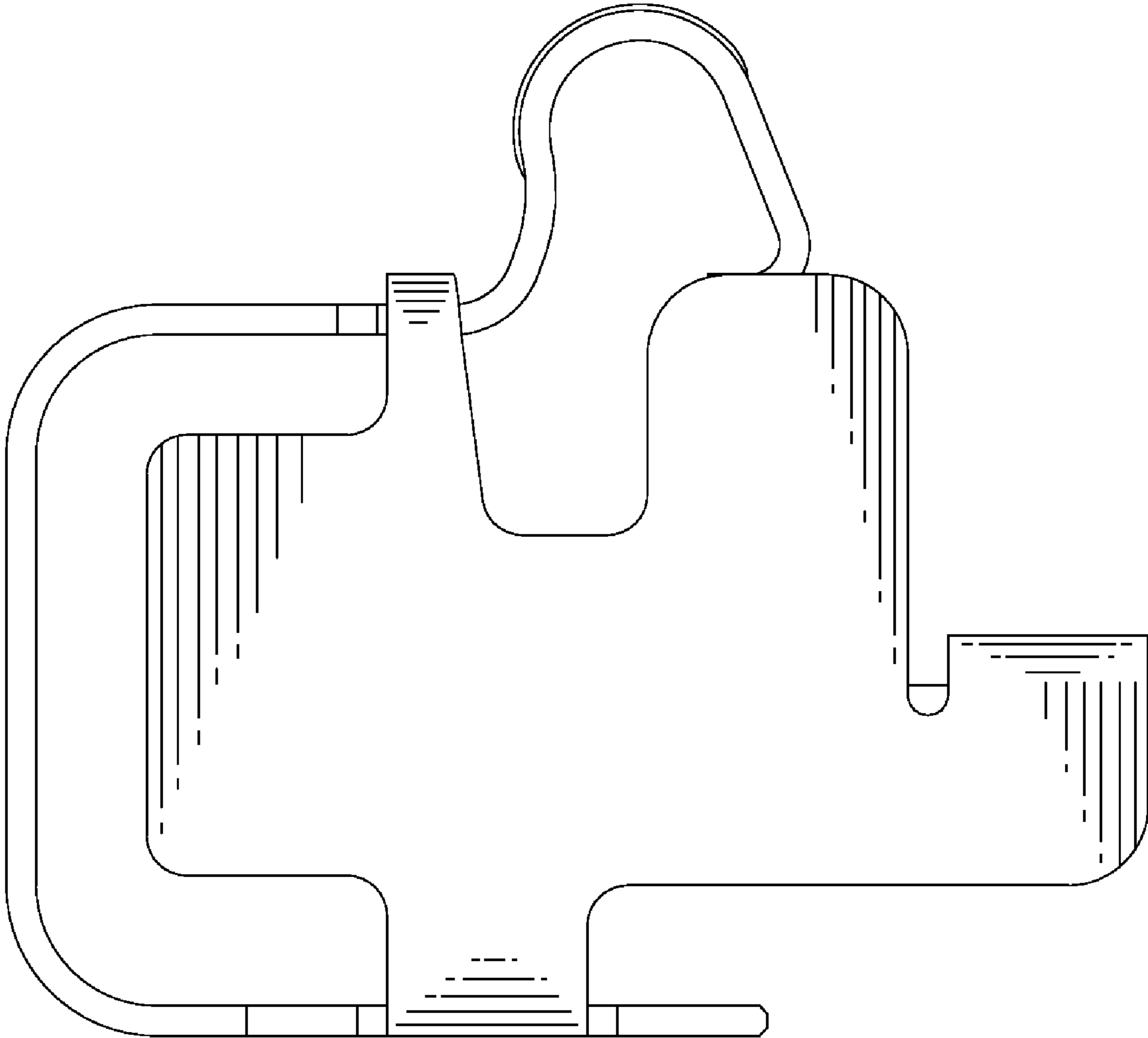


FIG. 4

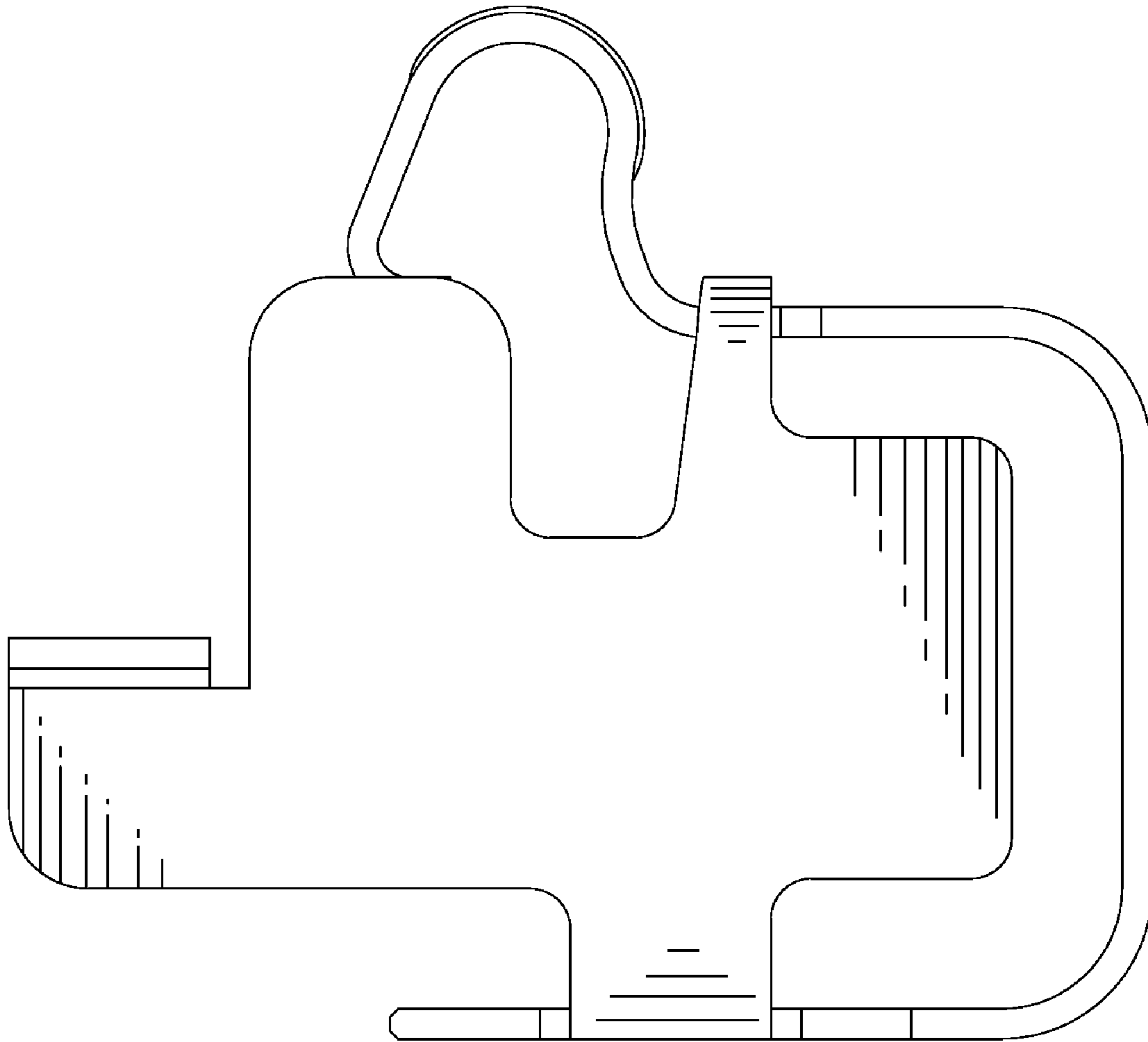


FIG. 5

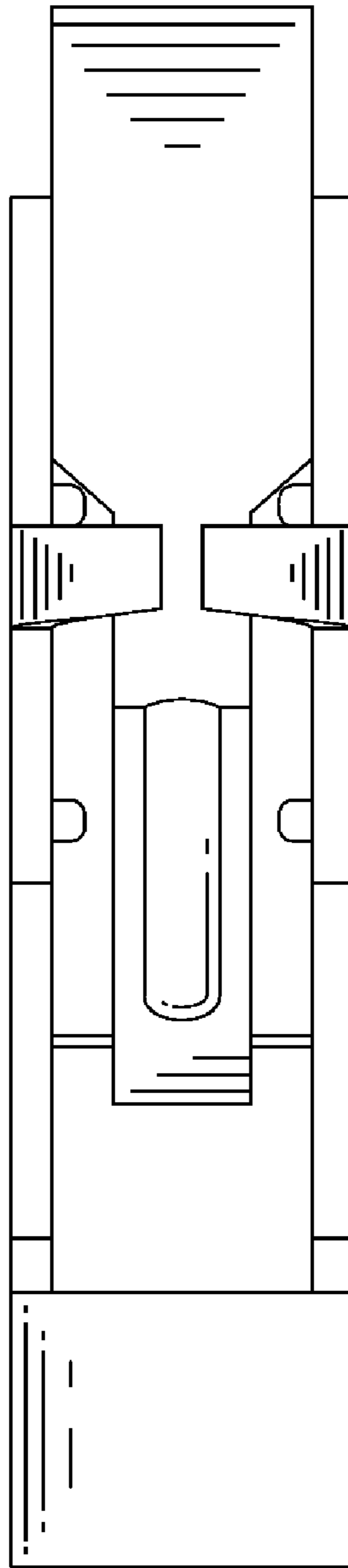


FIG. 6

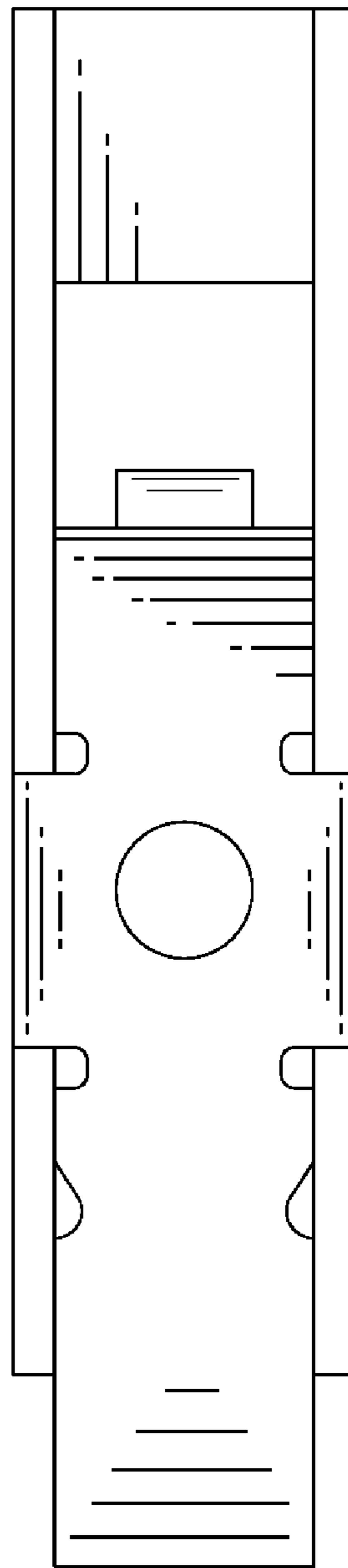


FIG. 7