



US00D627303S

(12) **United States Design Patent**  
**Lin**

(10) **Patent No.:** **US D627,303 S**

(45) **Date of Patent:** **\*\* Nov. 16, 2010**

(54) **CABLE CONNECTOR ASSEMBLY**

(75) Inventor: **Chu-Keng Lin**, Tu-Cheng (TW)

(73) Assignee: **Cheng Uei Precision Industry Co., Ltd.**, Tu-Cheng, Taipei Hsien (TW)

(\*\*) Term: **14 Years**

(21) Appl. No.: **29/361,927**

(22) Filed: **May 17, 2010**

(51) **LOC (9) Cl.** ..... **13-03**

(52) **U.S. Cl.** ..... **D13/147**

(58) **Field of Classification Search** ..... D13/133,  
D13/147, 153, 154, 156, 184; 439/350, 352,  
439/447, 607.1, 607.4, 607.5, 607.17, 607.25,  
439/607.34, 607.41, 607.53, 660, 677, 680,  
439/682, 686, 936; D14/433, 435, 438  
See application file for complete search history.

(56) **References Cited**

**U.S. PATENT DOCUMENTS**

- D406,563 S \* 3/1999 Kuo ..... D13/147
- D491,143 S \* 6/2004 Jiang ..... D13/147
- D588,547 S \* 3/2009 Lee et al. .... D13/154

D589,455 S \* 3/2009 Wu et al. .... D13/147

\* cited by examiner

*Primary Examiner*—Daniel D Bui

(74) *Attorney, Agent, or Firm*—Cheng-Ju Chiang

(57) **CLAIM**

The ornamental design for a cable connector assembly, as shown and described.

**DESCRIPTION**

FIG. 1 is a perspective view of a cable connector assembly showing my new design;

FIG. 2 is a front elevational view thereof;

FIG. 3 is a rear elevational view thereof;

FIG. 4 is a left side elevational view thereof;

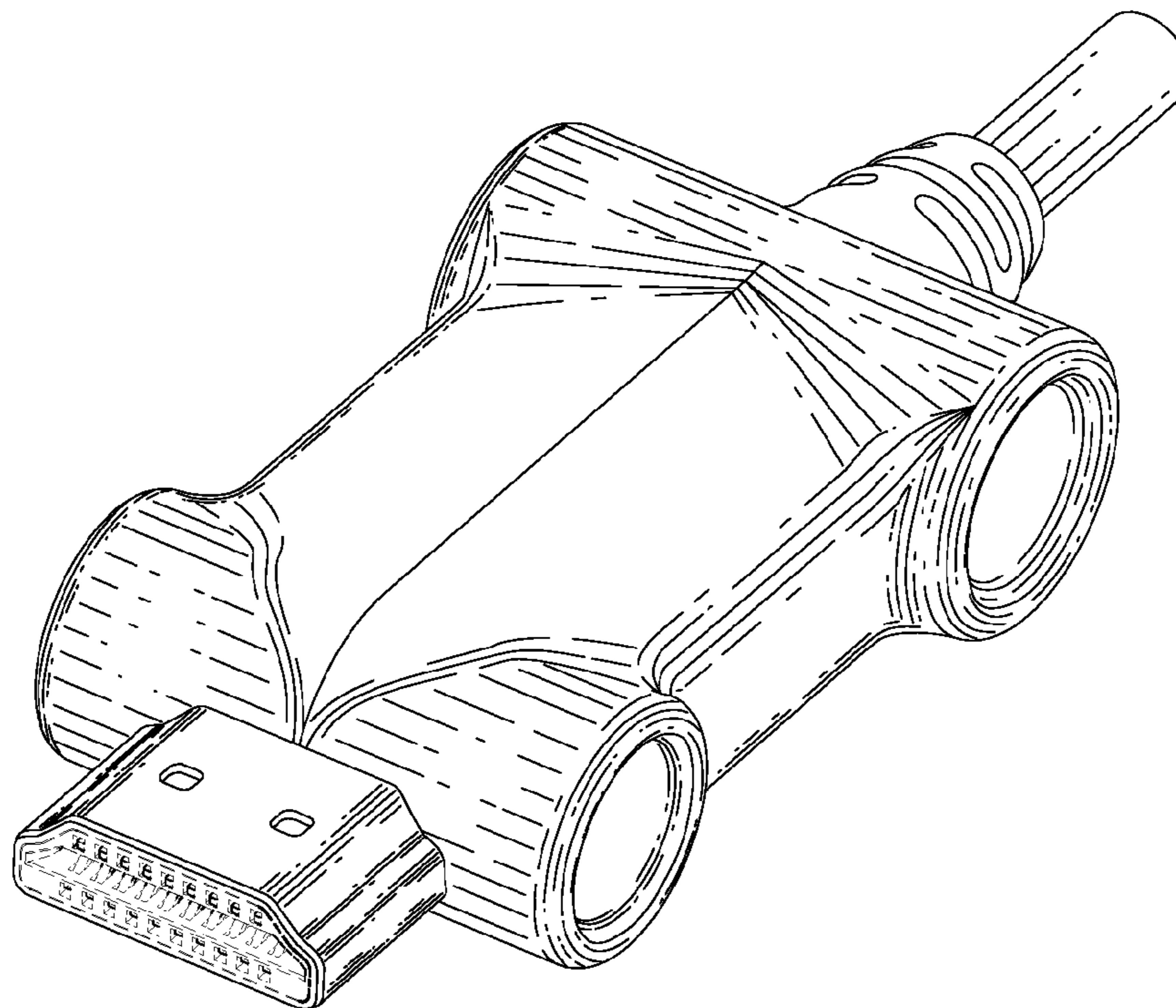
FIG. 5 is a right side elevational view thereof;

FIG. 6 is a top plan view thereof; and,

FIG. 7 is a bottom plan view thereof.

The broken line portion of the figure drawings is included to show unclaimed subject matter only and forms no part of the claimed design.

**1 Claim, 7 Drawing Sheets**



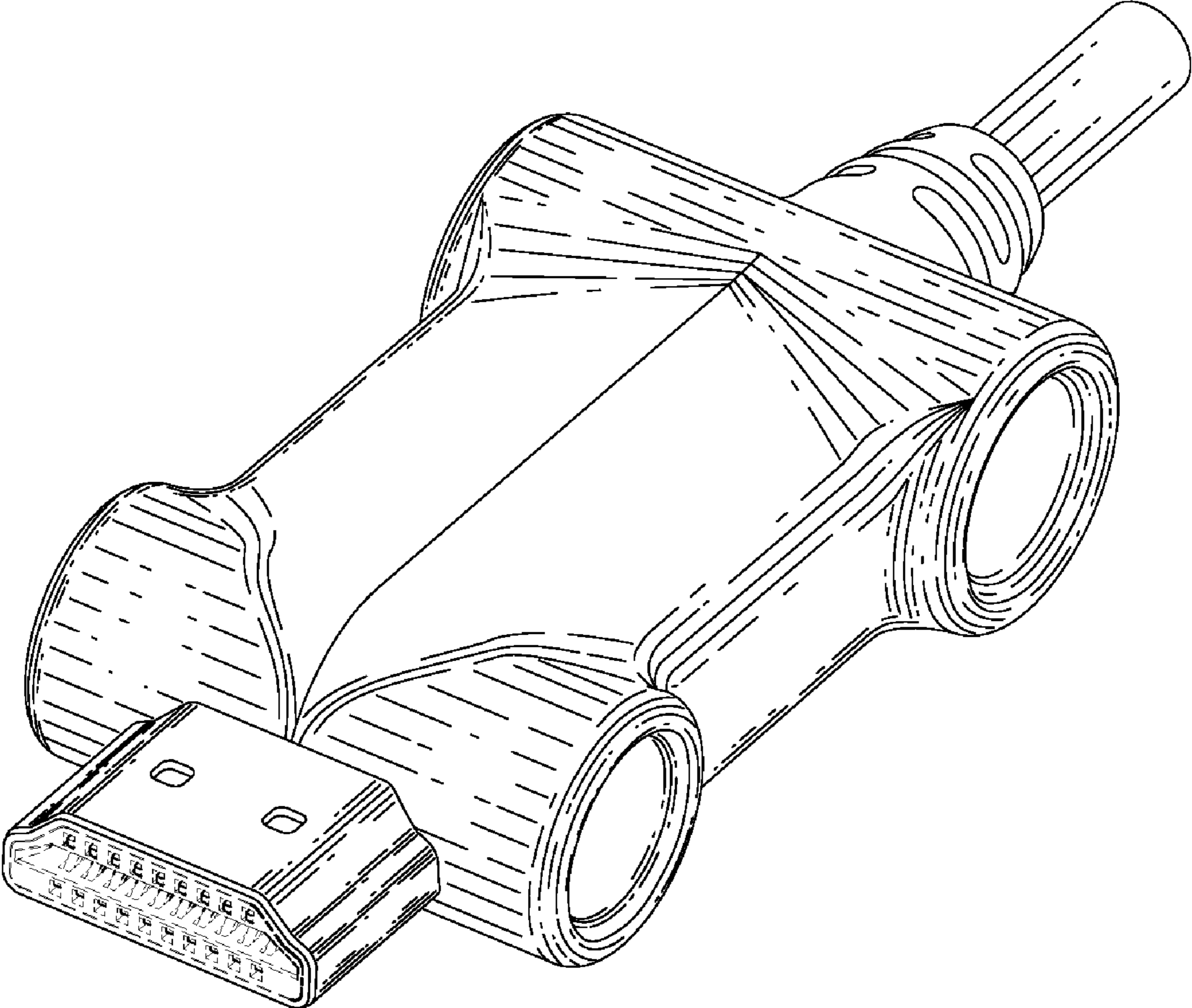


FIG. 1

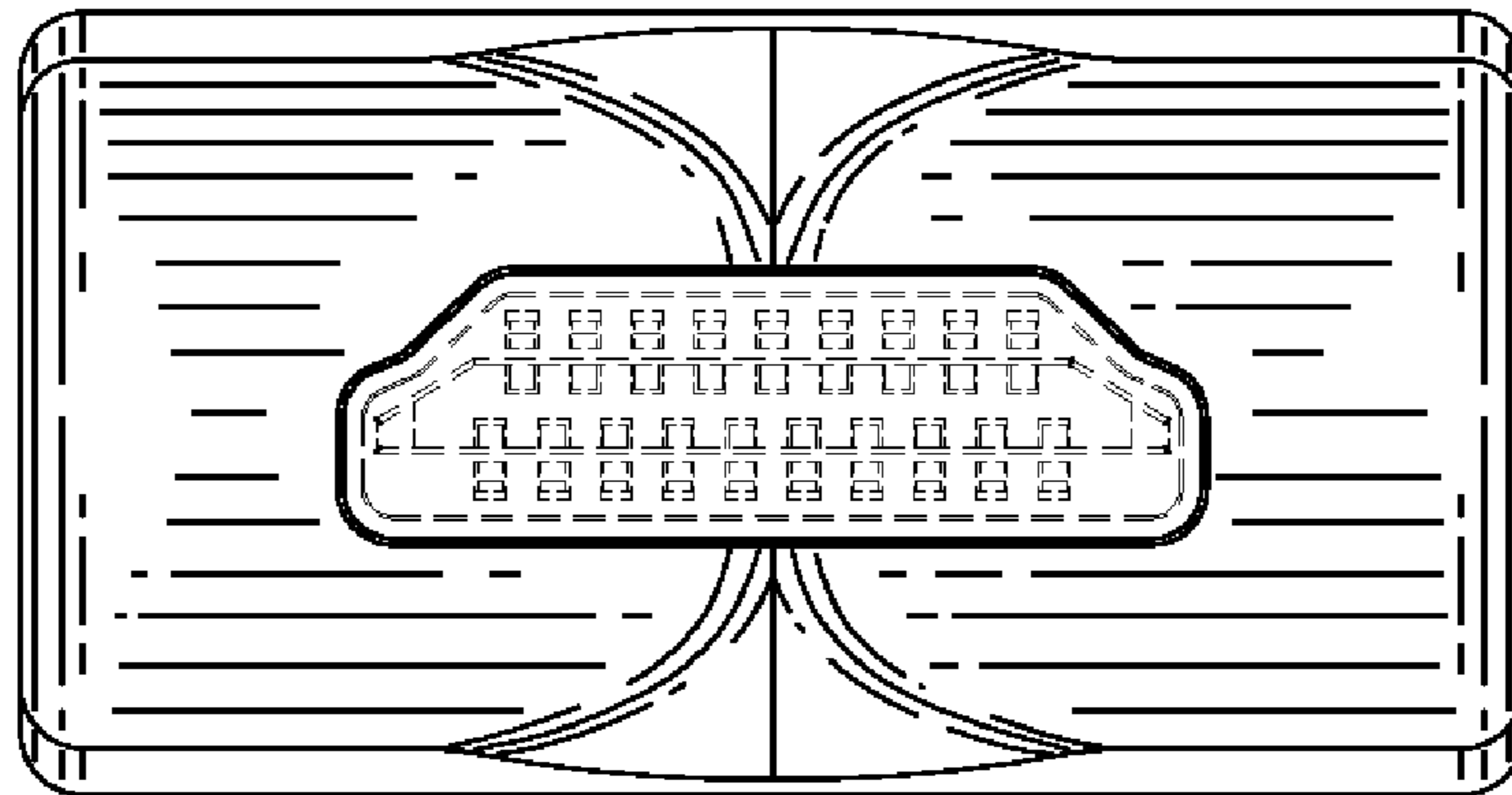


FIG. 2

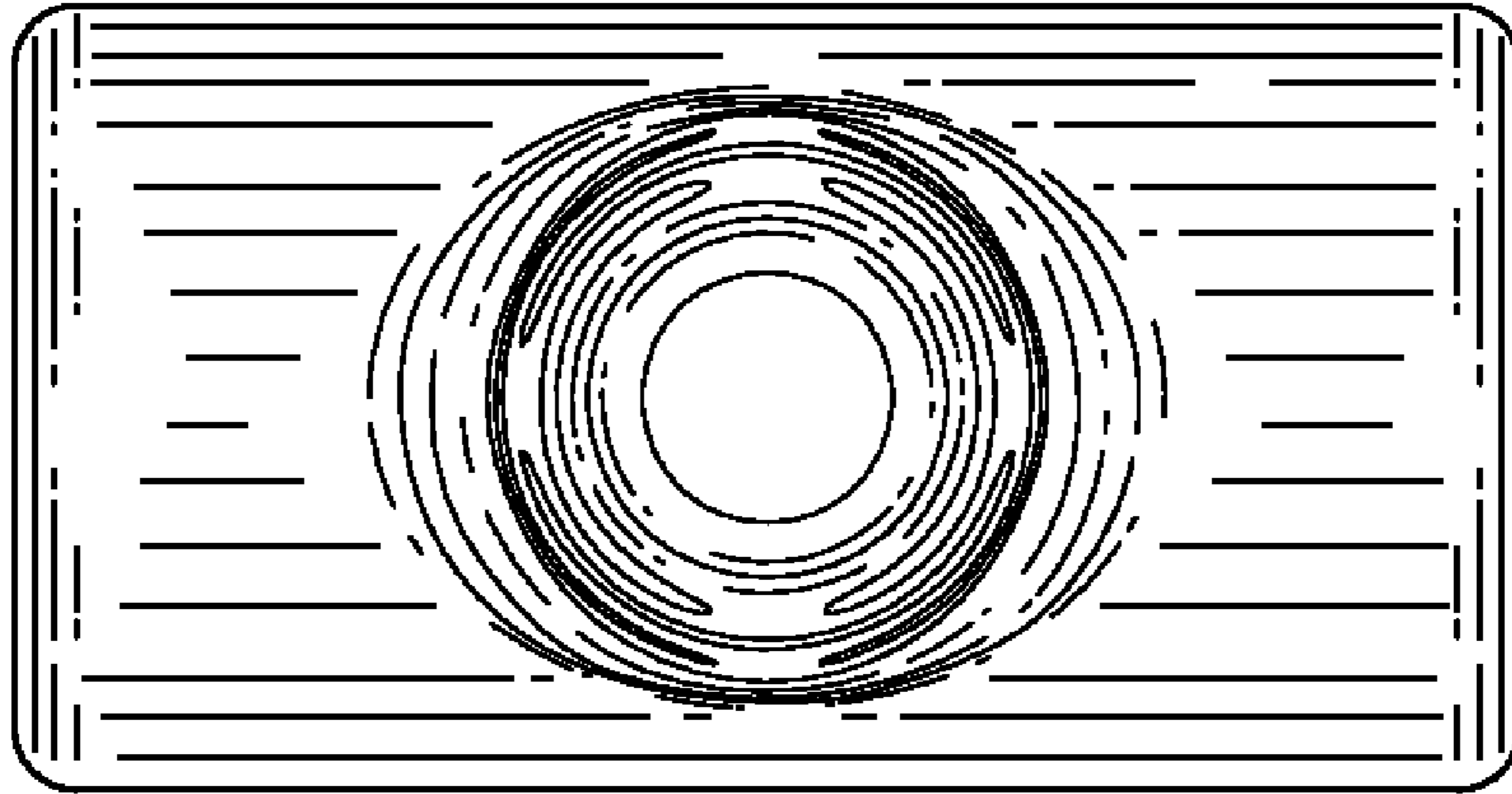


FIG. 3

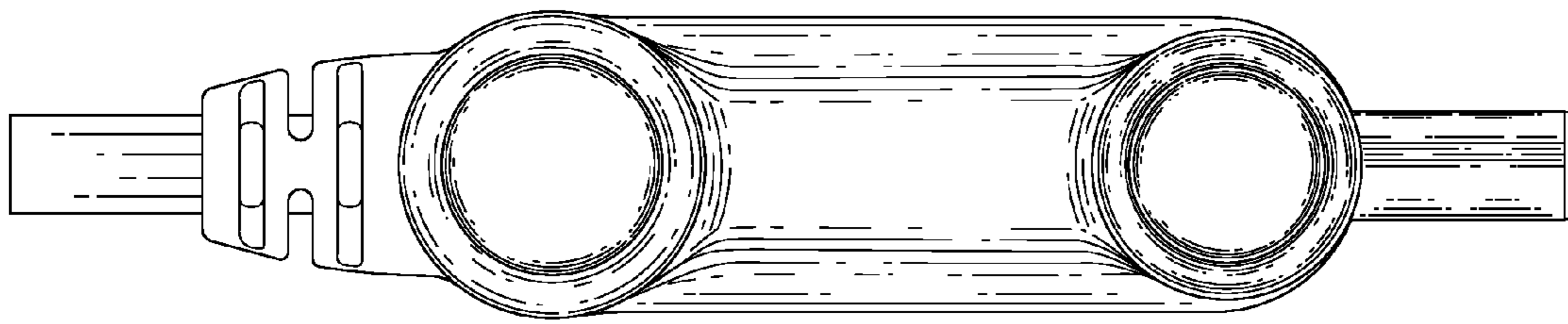


FIG. 4

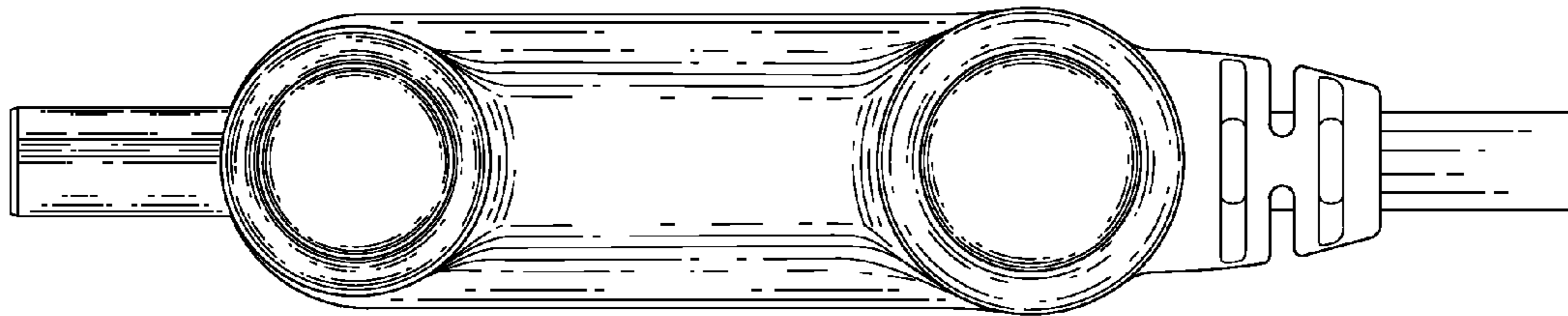


FIG. 5

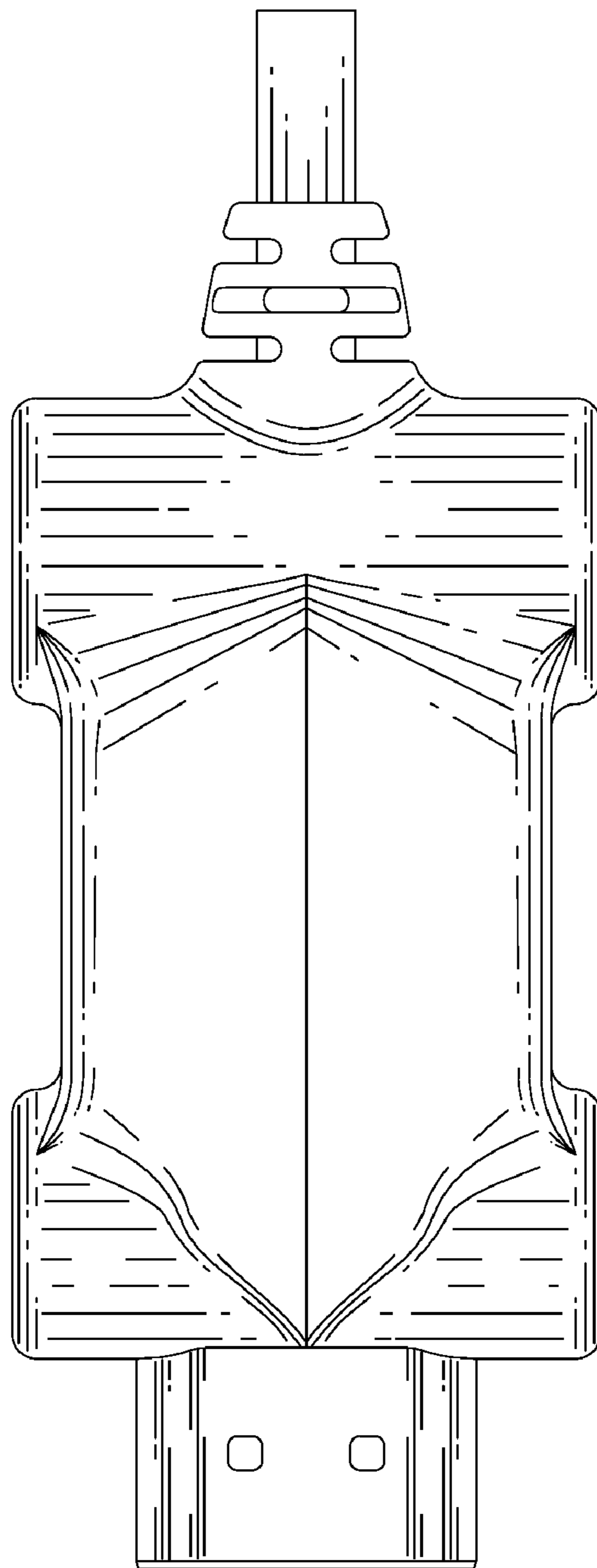


FIG. 6



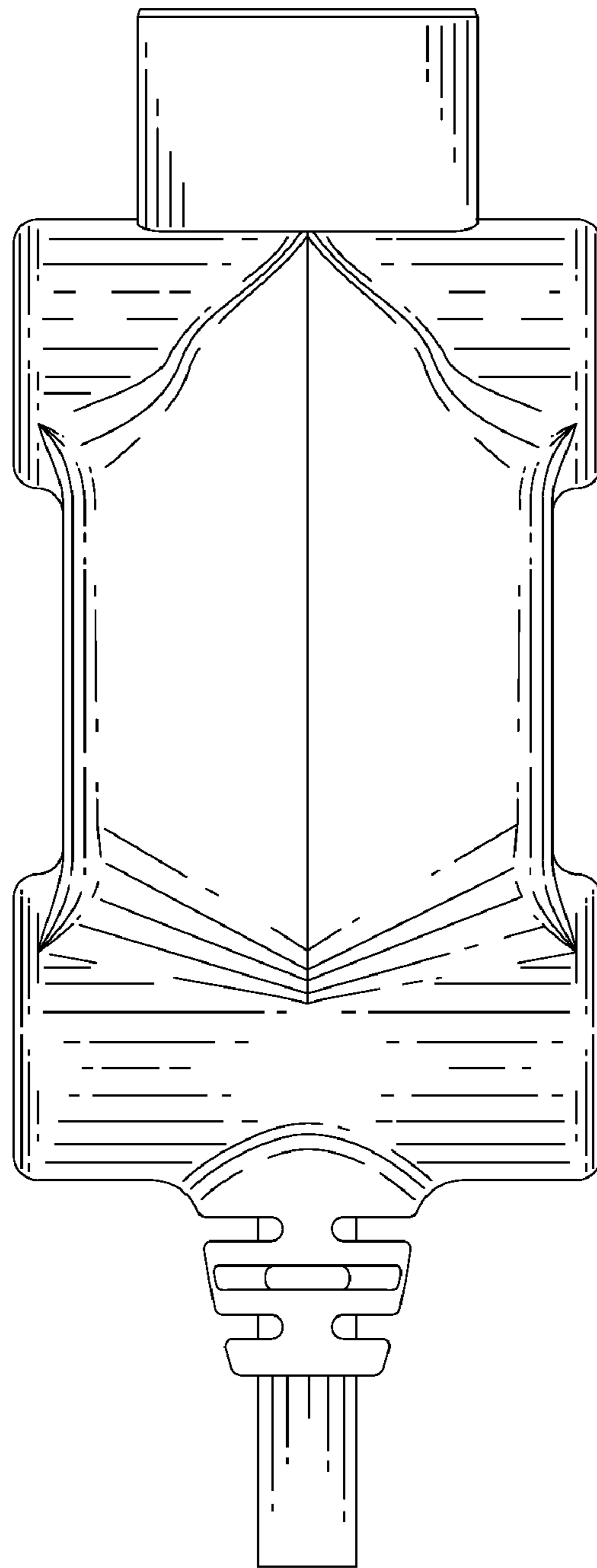


FIG. 7