



US00D627300S

(12) **United States Design Patent**
Lin

(10) **Patent No.:** **US D627,300 S**

(45) **Date of Patent:** **** Nov. 16, 2010**

(54) **CABLE CONNECTOR ASSEMBLY**

D602,441 S * 10/2009 Wu et al. D13/147
D604,247 S * 11/2009 Zhao et al. D13/147

(75) Inventor: **Chu-Geng Lin**, Tu-Cheng (TW)

* cited by examiner

(73) Assignee: **Cheng Uei Precision Industry Co., Ltd.**, Tu-Cheng, Taipei Hsien (TW)

Primary Examiner—Daniel D Bui

(74) *Attorney, Agent, or Firm*—Cheng-Ju Chiang

(**) Term: **14 Years**

(57) **CLAIM**

(21) Appl. No.: **29/358,481**

The ornamental design for a cable connector assembly, as shown and described.

(22) Filed: **Mar. 26, 2010**

(51) **LOC (9) Cl.** **13-03**

(52) **U.S. Cl.** **D13/147**

(58) **Field of Classification Search** D13/133,
D13/146–147, 153, 154, 156, 184; 439/350,
439/352, 447, 607.1, 607.4, 607.5, 607.17,
439/607.25, 607.34, 607.41, 607.53, 660,
439/677, 680, 682, 686, 936; D14/433, 435,
D14/438

See application file for complete search history.

(56) **References Cited**

U.S. PATENT DOCUMENTS

D551,626 S * 9/2007 Ho et al. D13/147
D563,872 S * 3/2008 Lee et al. D13/133
D599,298 S * 9/2009 Kondo D13/147

DESCRIPTION

FIG. 1 is a perspective view of a cable connector assembly showing my new design;

FIG. 2 is a front elevational view thereof;

FIG. 3 is a rear elevational view thereof;

FIG. 4 is a left side elevational view thereof;

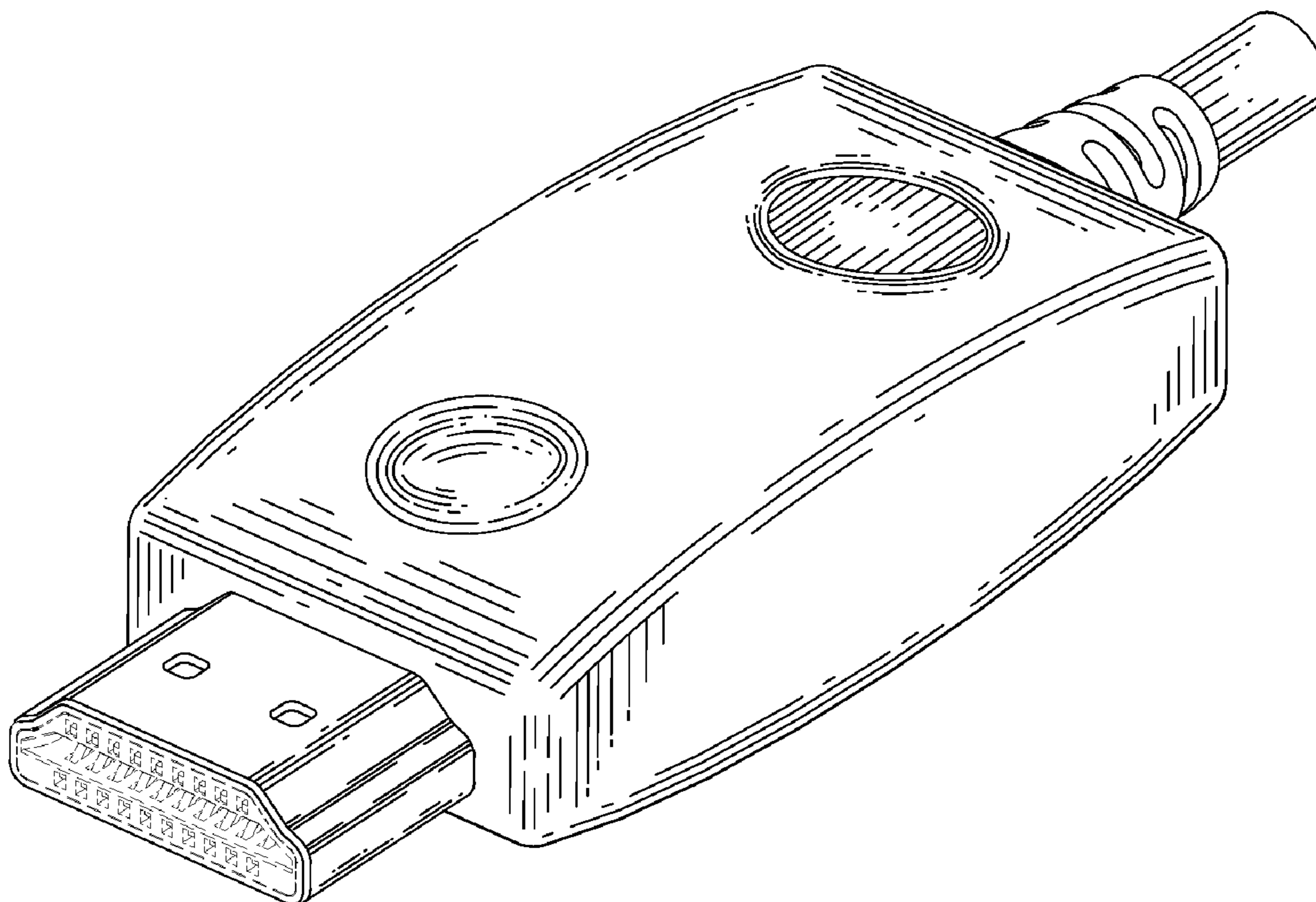
FIG. 5 is a right side elevational view thereof;

FIG. 6 is a top plan view thereof; and,

FIG. 7 is a bottom plan view thereof.

The broken line portion of the figure drawings is included to show unclaimed subject matter only and forms no part of the claimed design.

1 Claim, 7 Drawing Sheets



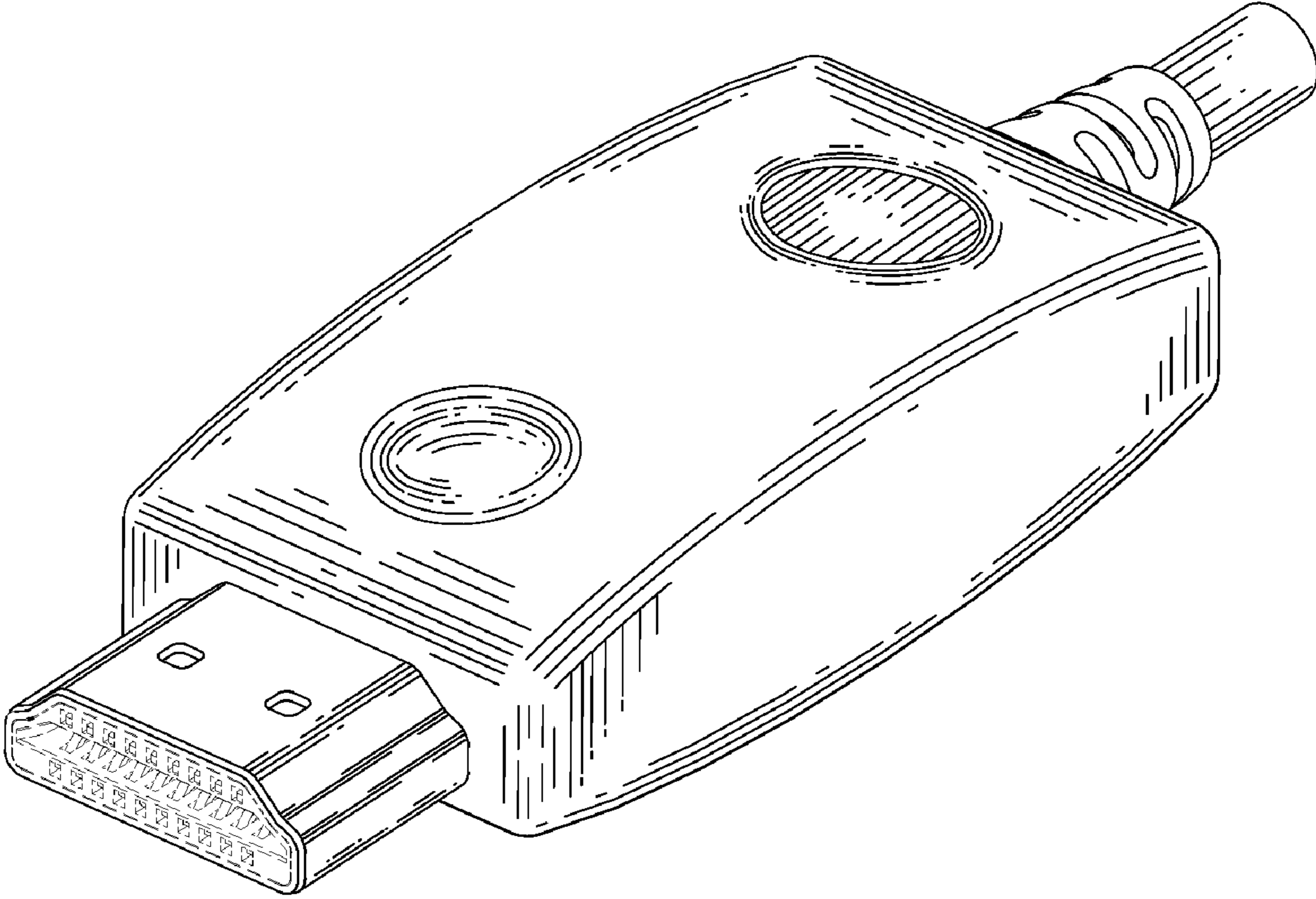


FIG. 1

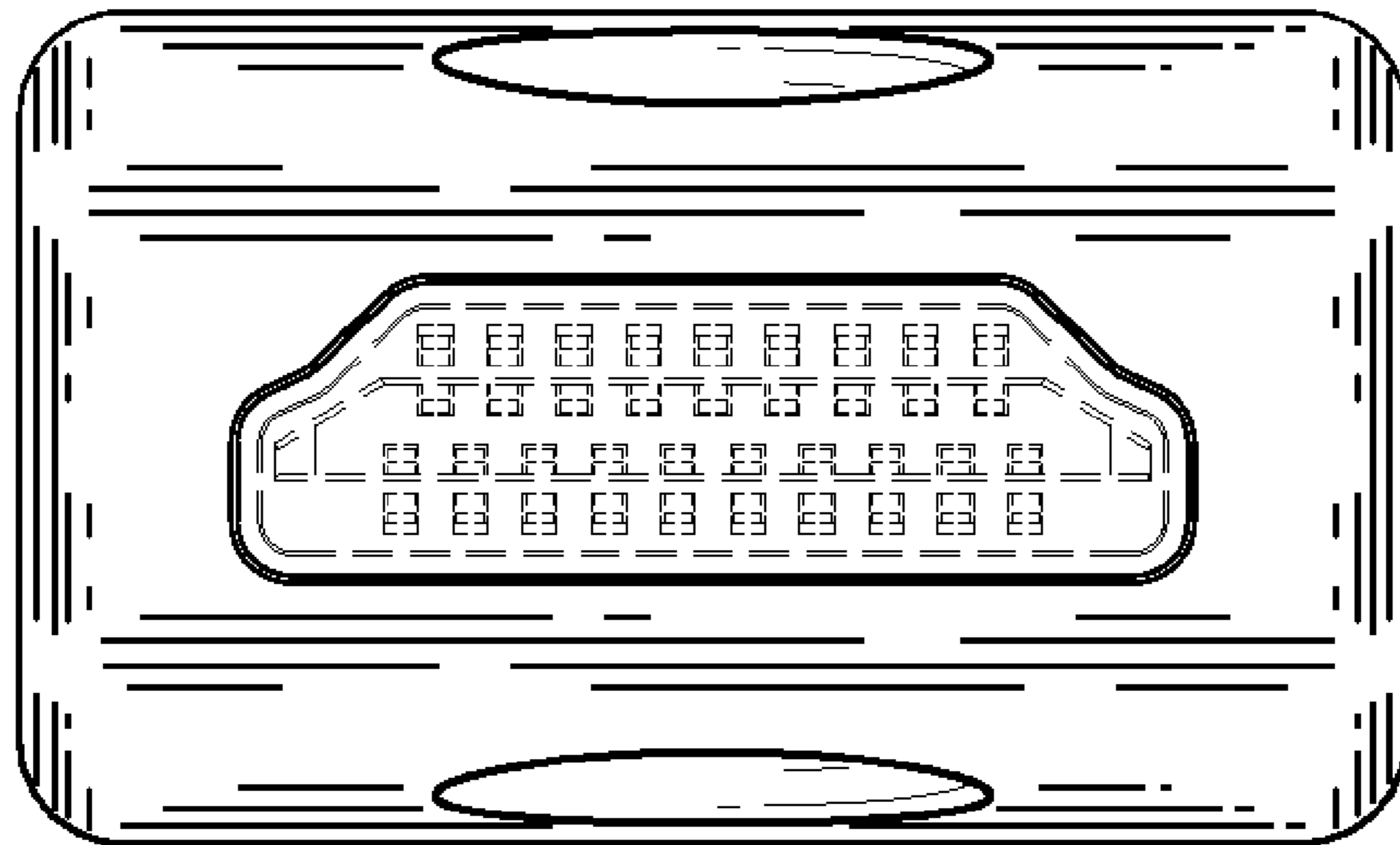


FIG. 2

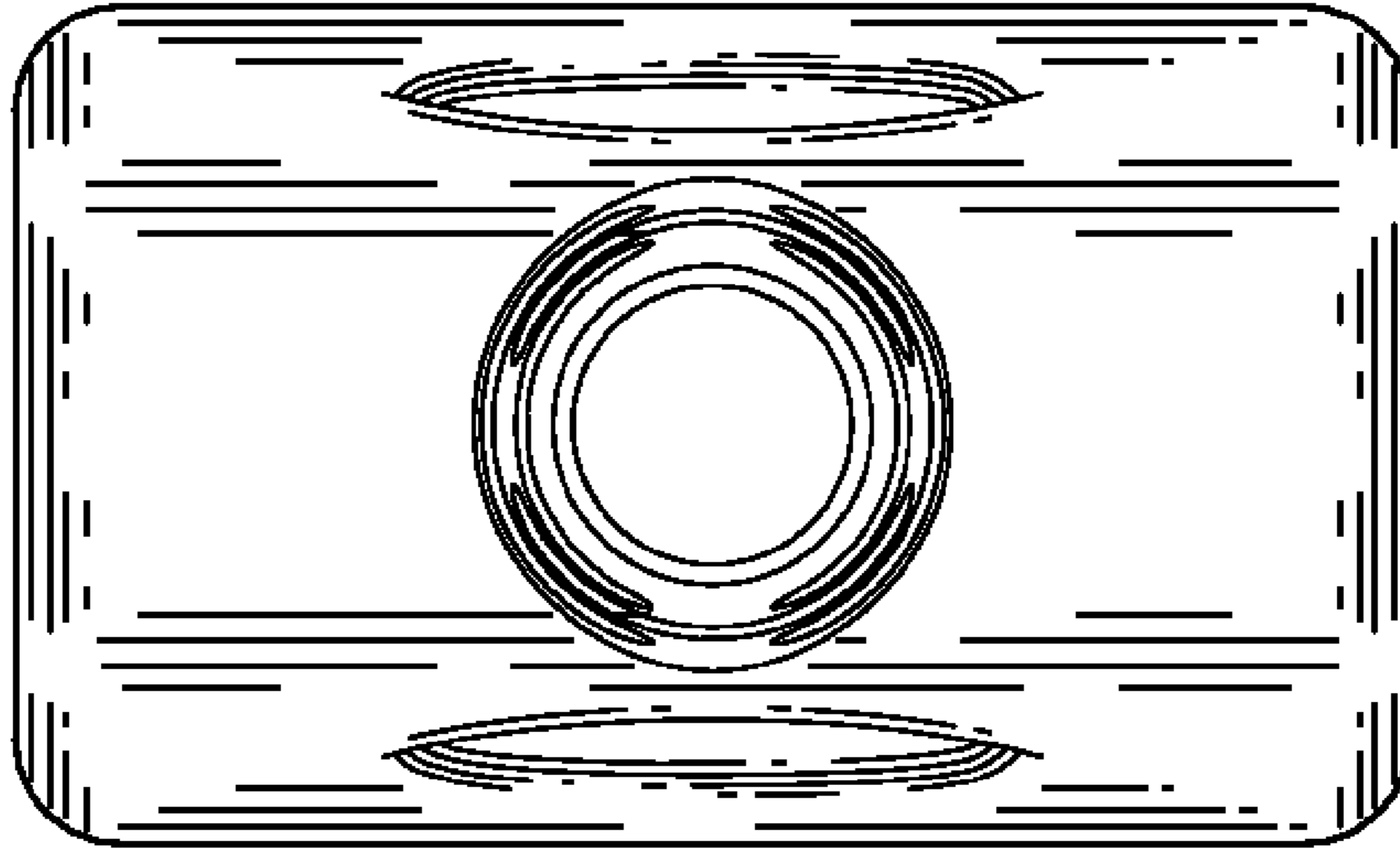


FIG. 3

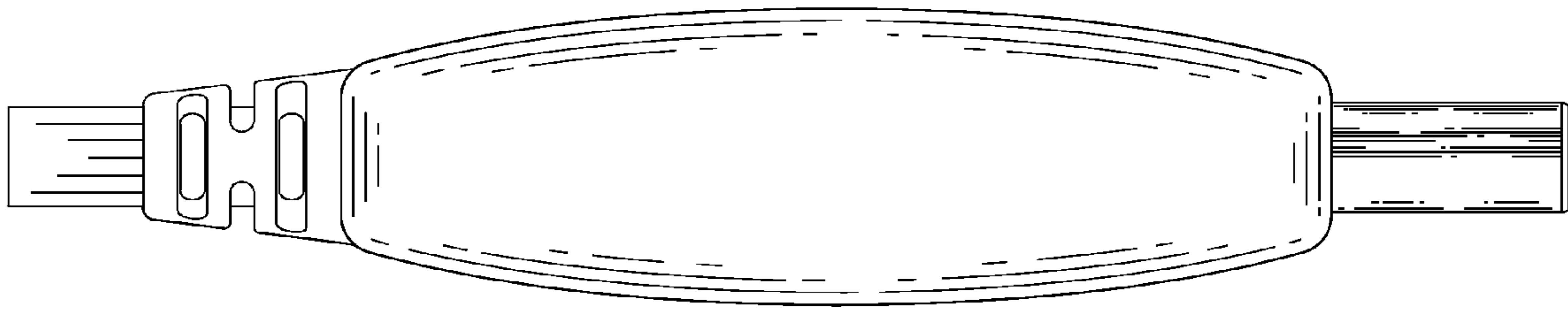


FIG. 4

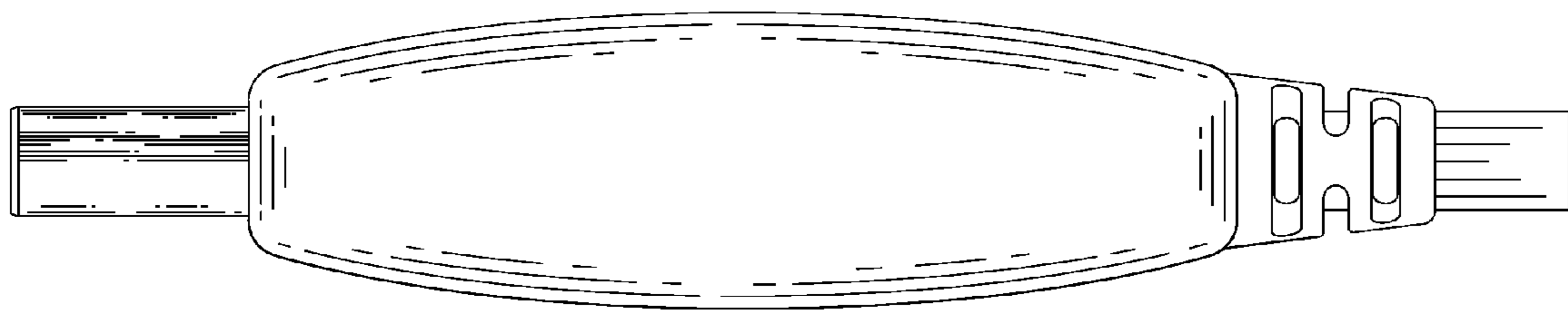


FIG. 5

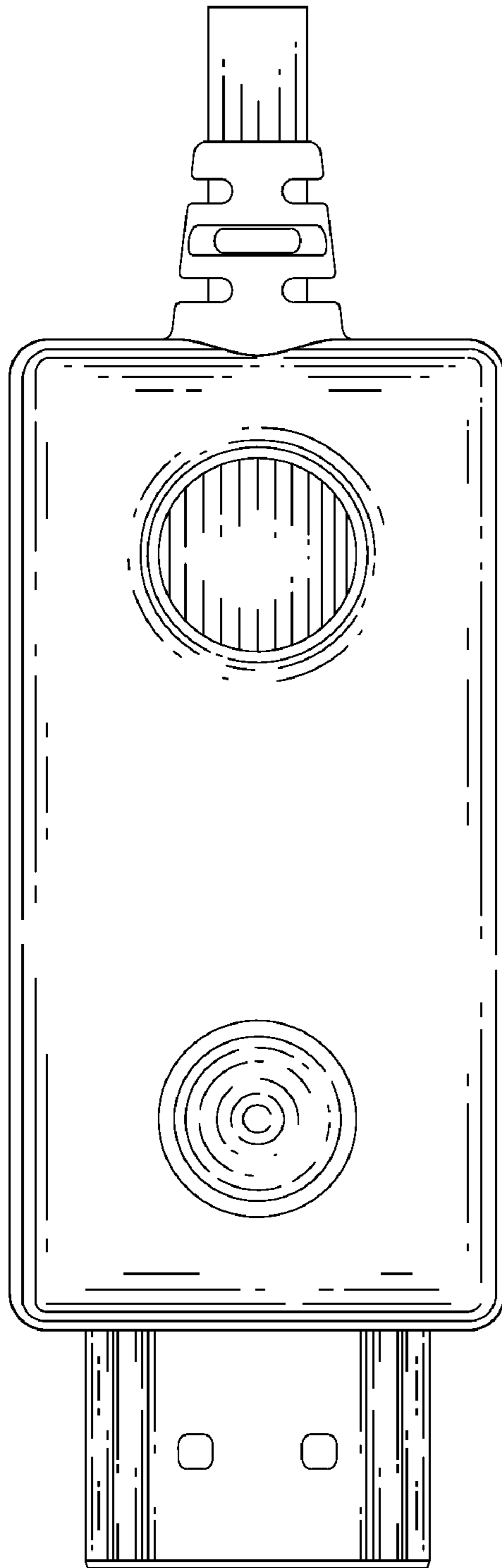


FIG. 6

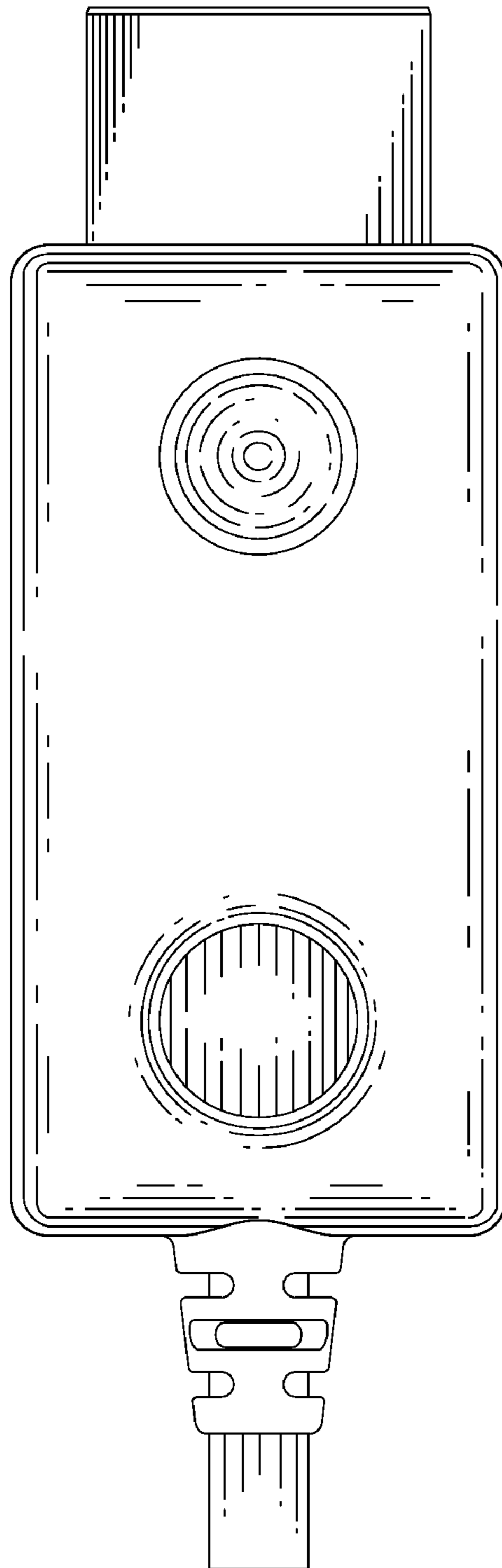


FIG. 7