



US00D627299S

(12) **United States Design Patent**
Kimura et al.

(10) **Patent No.:** **US D627,299 S**
(45) **Date of Patent:** **** Nov. 16, 2010**

(54) **ELECTRICAL CONNECTOR**
(75) Inventors: **Makiya Kimura**, Tokyo (JP);
Shigetsugu Nakagawa, Tokyo (JP)

JP D1234785 2/2005
JP D1250406 7/2005
JP D1278269 6/2006
JP D13428771 9/2008

(73) Assignee: **Tyco Electronics Japan G.K.**,
Kanagawa-ken (JP)

* cited by examiner

(**) Term: **14 Years**

Primary Examiner—Daniel D Bui
(74) *Attorney, Agent, or Firm*—Barley Snyder LLC

(21) Appl. No.: **29/354,562**

(57) **CLAIM**

(22) Filed: **Jan. 26, 2010**

The ornamental design for an electrical connector, as shown and described.

(30) **Foreign Application Priority Data**

Jul. 29, 2009 (JP) 2009-017210

DESCRIPTION

(51) **LOC (9) Cl.** **13-03**
(52) **U.S. Cl.** **D13/147**
(58) **Field of Classification Search** D13/147,
D13/154, 156, 184; D14/433, 435, 438;
439/79, 108, 159–160, 260, 329, 395, 607.01,
439/607.04, 607.05, 607.17, 607.25, 607.34,
439/607.41, 607.53, 629, 630, 946
See application file for complete search history.

FIG. 1 is a front elevation view of an electrical connector, showing our new design;
FIG. 2 is a top plan view thereof;
FIG. 3 is a bottom plan view thereof;
FIG. 4 is a rear elevation view thereof;
FIG. 5 is a left side elevation view thereof;
FIG. 6 is a right side elevation view thereof;
FIG. 7 is a front, top, and left side perspective view thereof; and,
FIG. 8 is a rear, bottom, and right side perspective view thereof.

(56) **References Cited**

U.S. PATENT DOCUMENTS

6,679,714 B2 1/2004 Kimura
D491,528 S * 6/2004 Fan D13/147
D500,741 S * 1/2005 Fan D13/147
D505,919 S * 6/2005 Moritake D13/147
D517,495 S * 3/2006 Fan D13/147

The broken line shown in the drawings is included for the purpose of illustrating environmental structure and forms no part of the claimed design.

FOREIGN PATENT DOCUMENTS

JP D1225767 11/2004

1 Claim, 7 Drawing Sheets

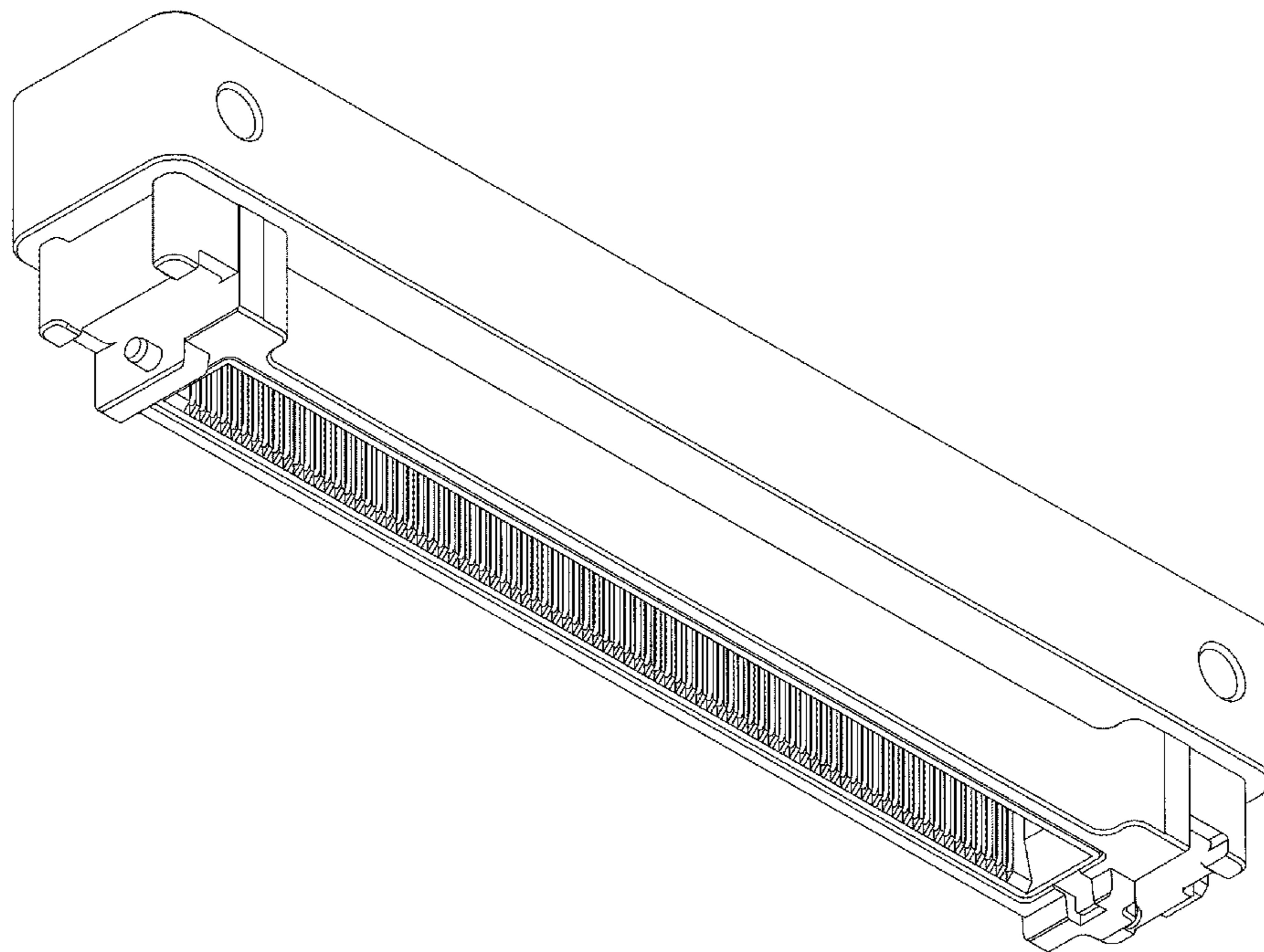


Fig. 1

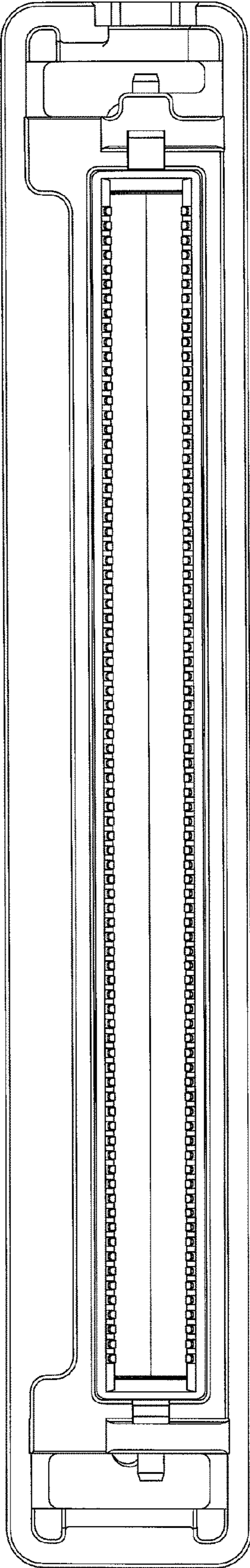


Fig. 2

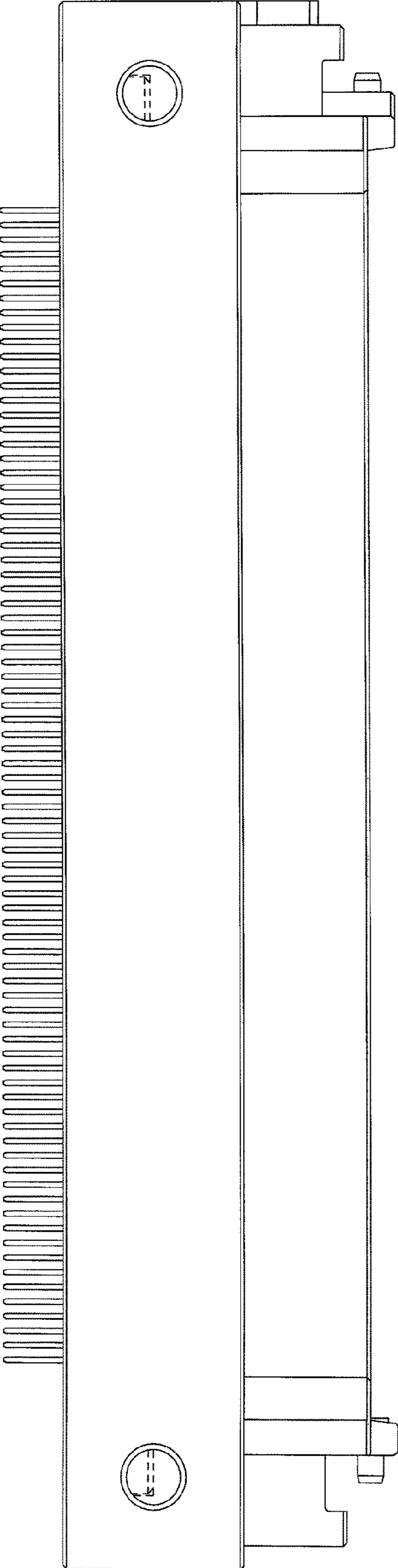


Fig. 3

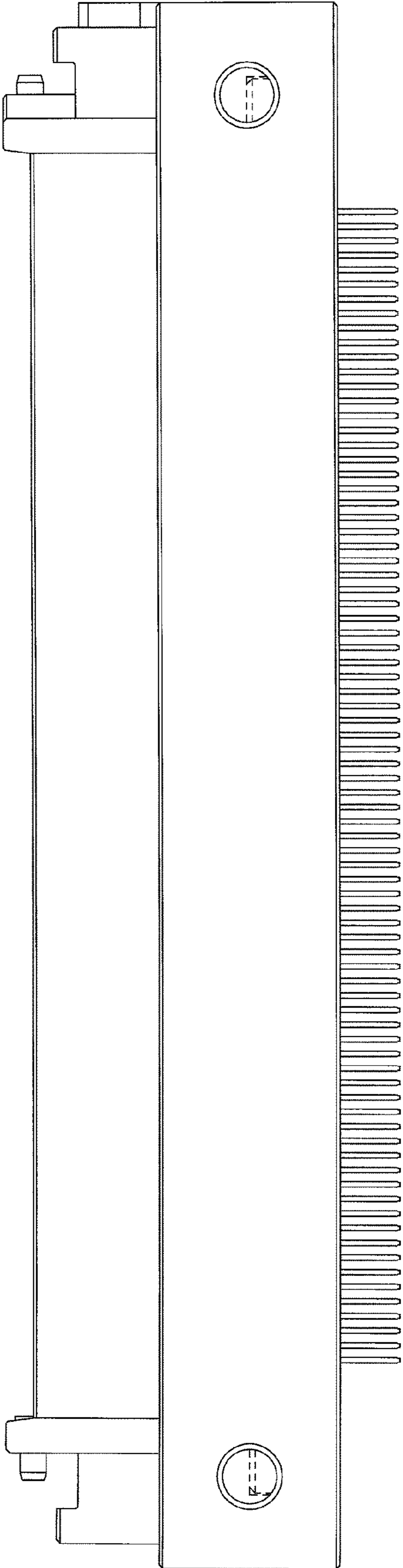


Fig. 4

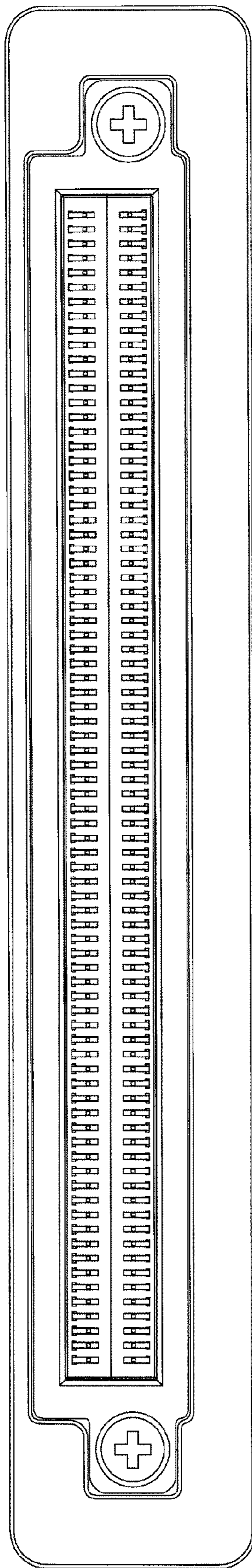


Fig. 5

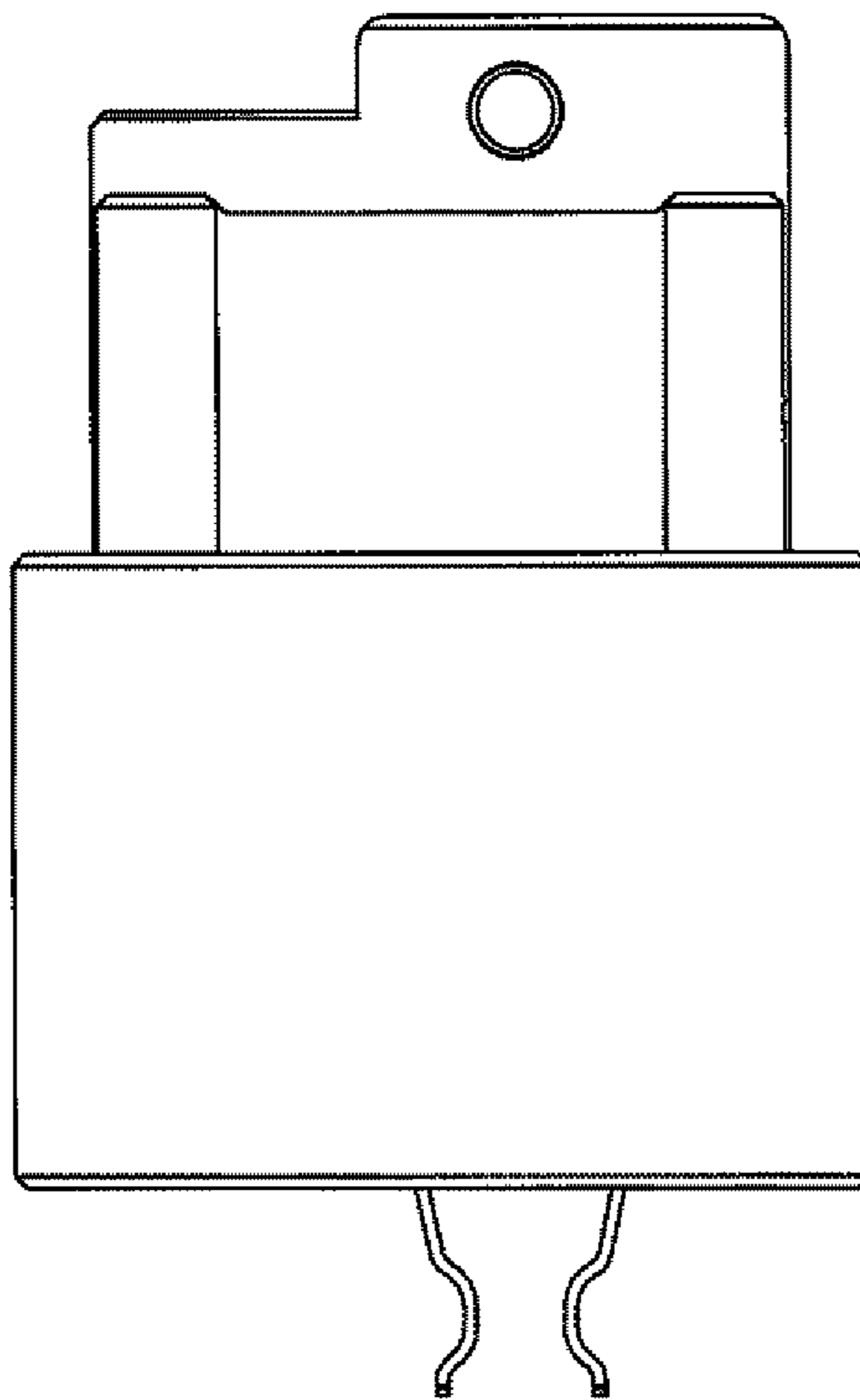


Fig. 6

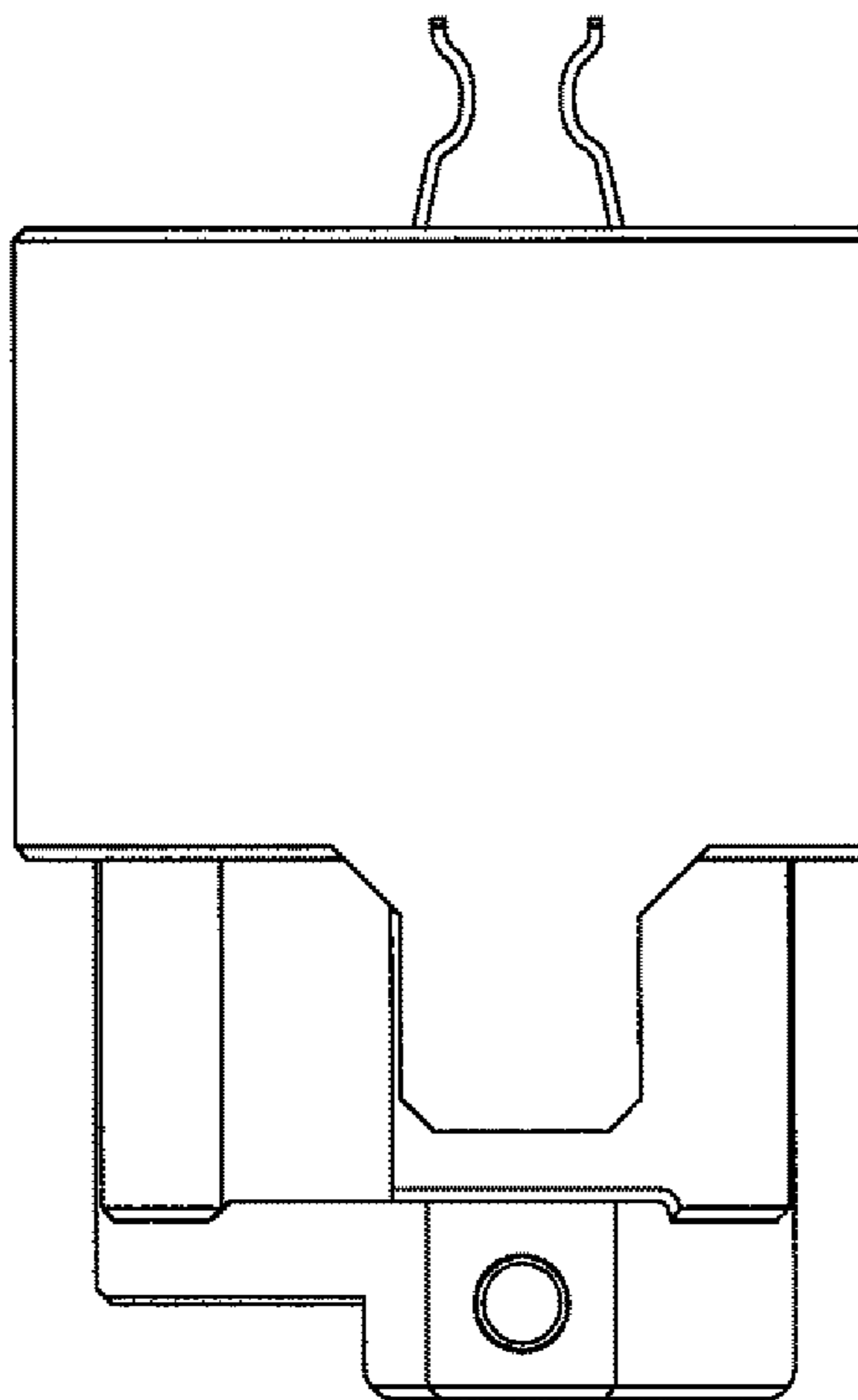


Fig. 7

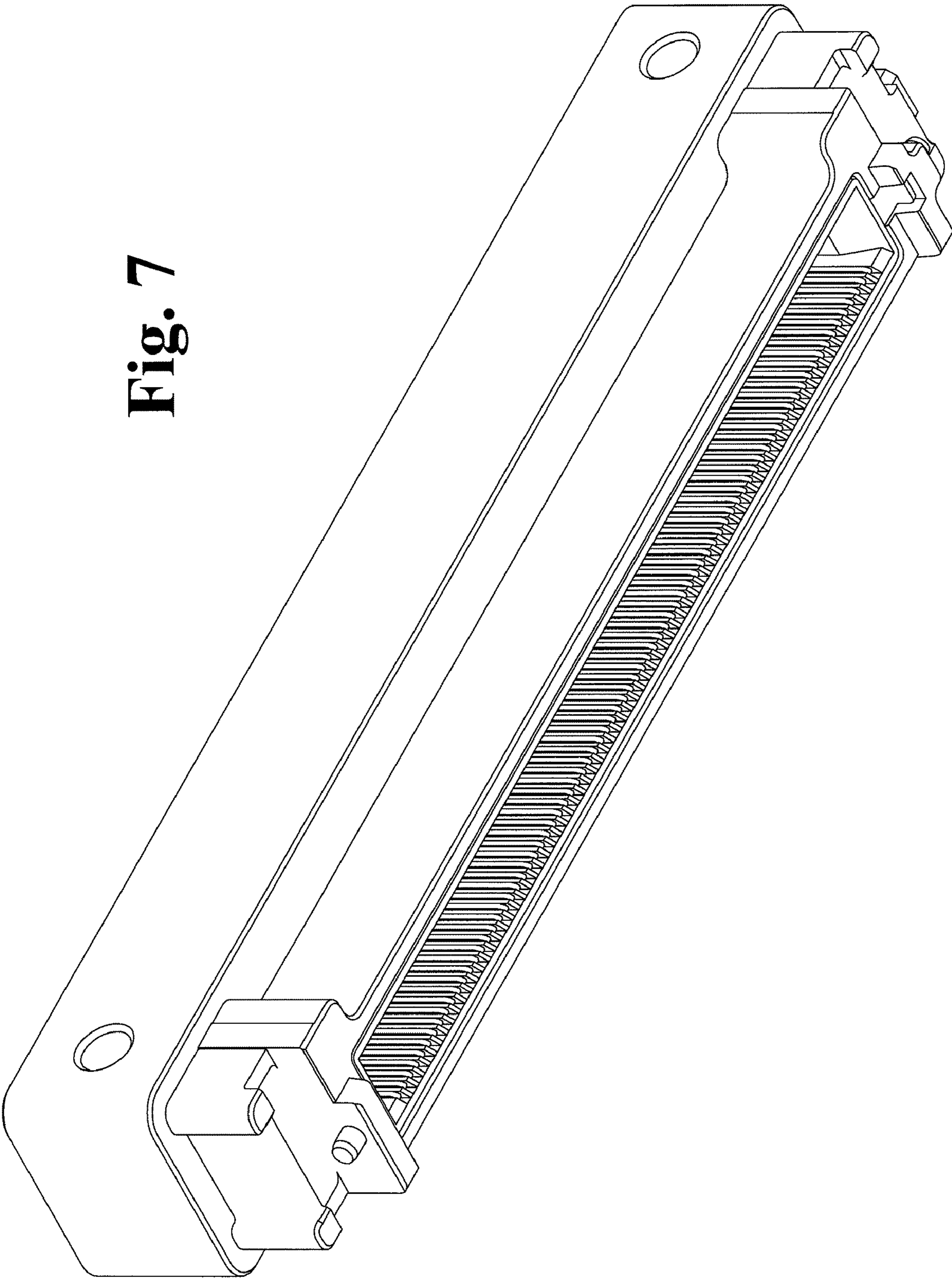


Fig. 8

