



US00D627298S

(12) **United States Design Patent**
Huang

(10) **Patent No.:** **US D627,298 S**

(45) **Date of Patent:** **** Nov. 16, 2010**

(54) **COAXIAL RECEPTACLE CONNECTOR**

(75) Inventor: **Sheng-Yuan Huang**, Taipei (TW)

(73) Assignee: **Cheng Uei Precision Industry Co., Ltd.**, Taipei (TW)

(**) Term: **14 Years**

(21) Appl. No.: **29/351,879**

(22) Filed: **Dec. 13, 2009**

(51) **LOC (9) Cl.** **13-03**

(52) **U.S. Cl.** **D13/147**

(58) **Field of Classification Search** D13/133,
D13/146-147, 154, 156, 184; 439/79, 108,
439/607.01, 607.04, 607.05, 607.17, 607.25,
439/607.34, 607.41, 607.53, 680, 682, 686
See application file for complete search history.

(56) **References Cited**

U.S. PATENT DOCUMENTS

D543,506 S * 5/2007 Peng D13/147

D584,688 S * 1/2009 Sasada et al. D13/133

7,632,154 B1 * 12/2009 Su et al. 439/660

D617,738 S * 6/2010 Chen et al. D13/147

* cited by examiner

Primary Examiner—Daniel D Bui

(57) **CLAIM**

The ornamental design for a coaxial receptacle connector, as shown and described.

DESCRIPTION

FIG. 1 is a perspective view of a coaxial receptacle connector showing my new design;

FIG. 2 is a front elevational view thereof;

FIG. 3 is a rear elevational view thereof;

FIG. 4 is a left side elevational view thereof;

FIG. 5 is a right side elevational view thereof;

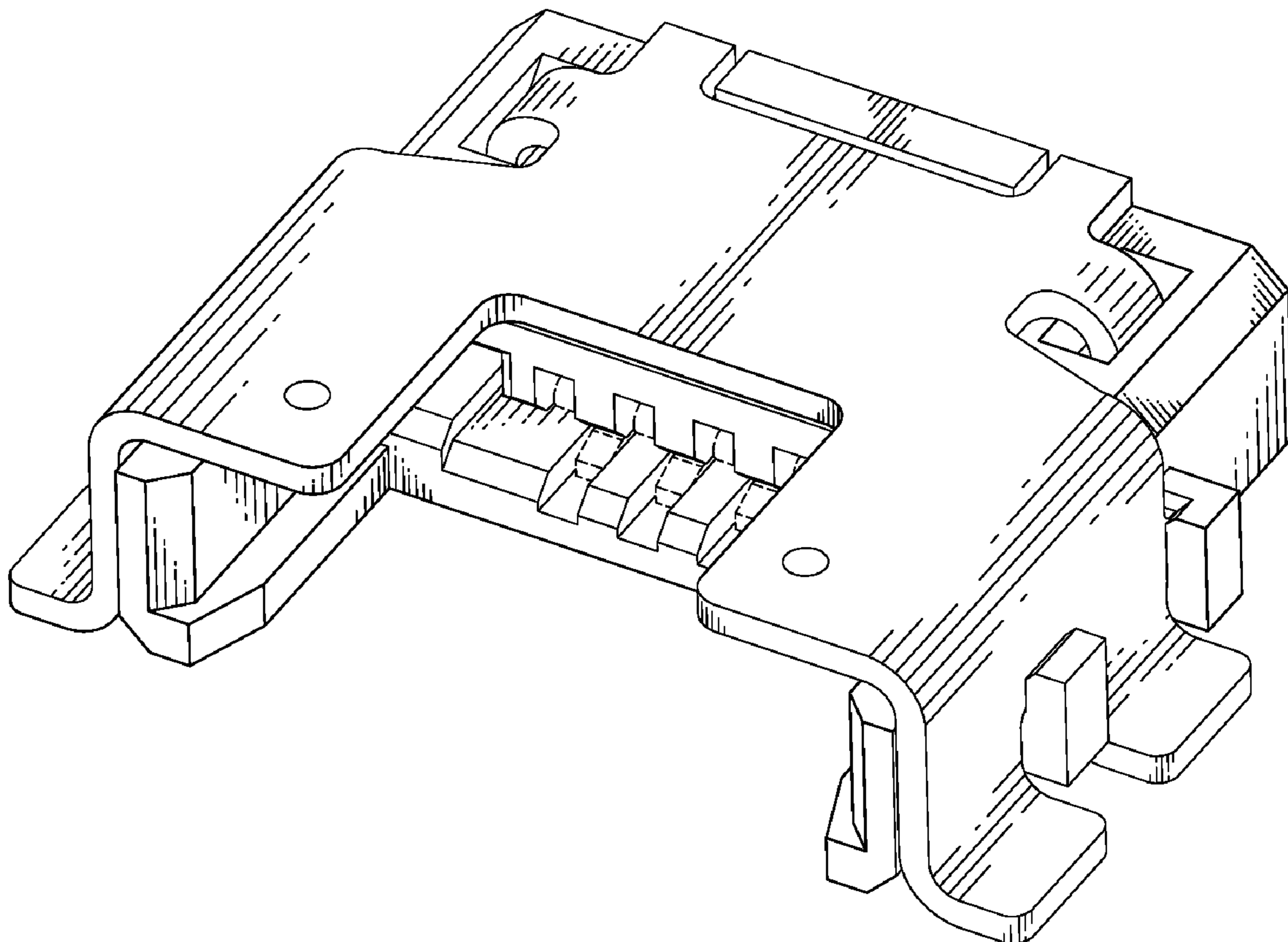
FIG. 6 is a top plan view thereof;

FIG. 7 is a bottom plan view thereof; and,

FIG. 8 is another perspective view of a coaxial receptacle connector showing my new design.

The broken line shown in the drawings is included for the purpose of illustrating environmental structure and forms no part of the claimed design.

1 Claim, 8 Drawing Sheets



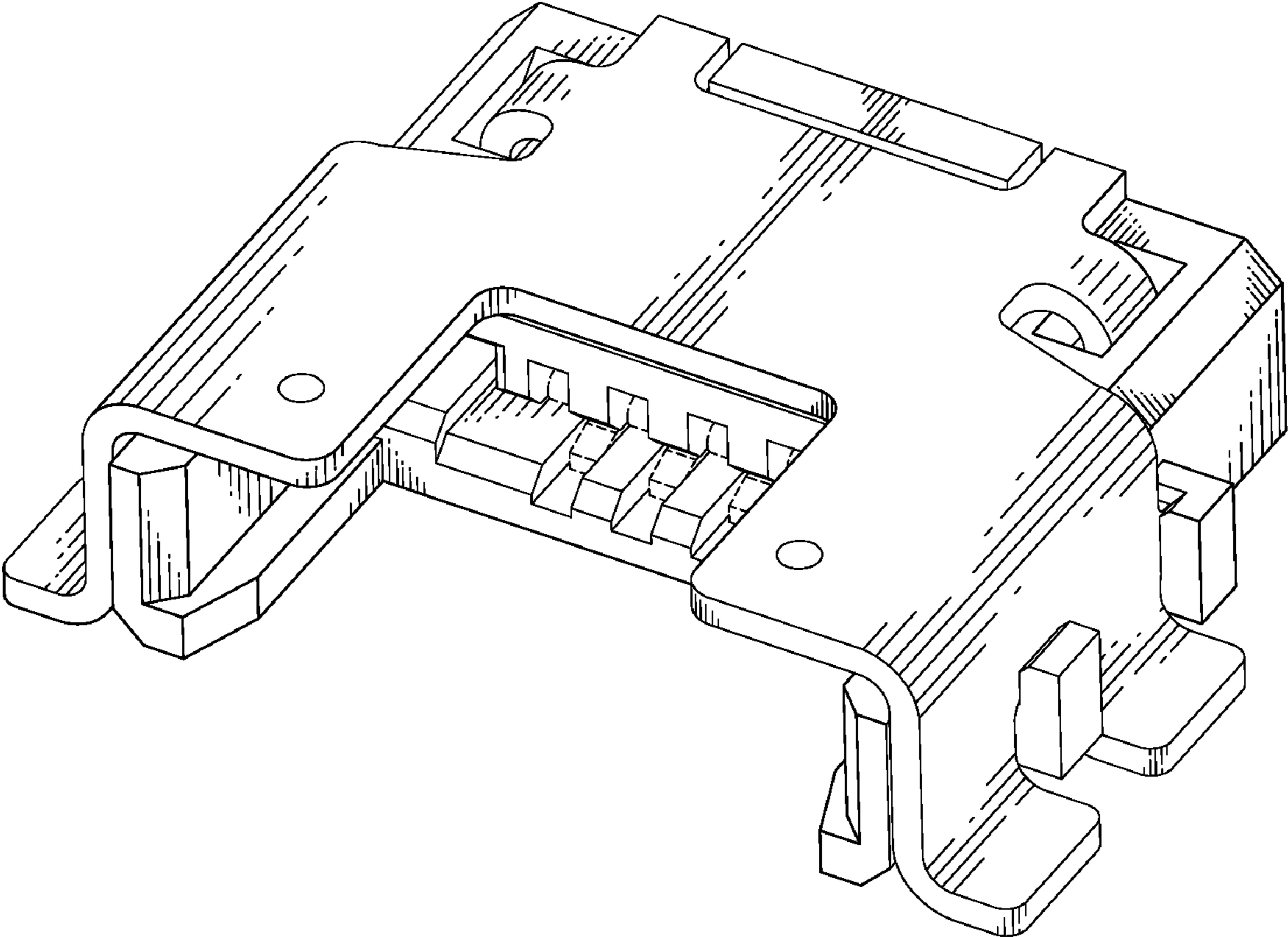


FIG. 1

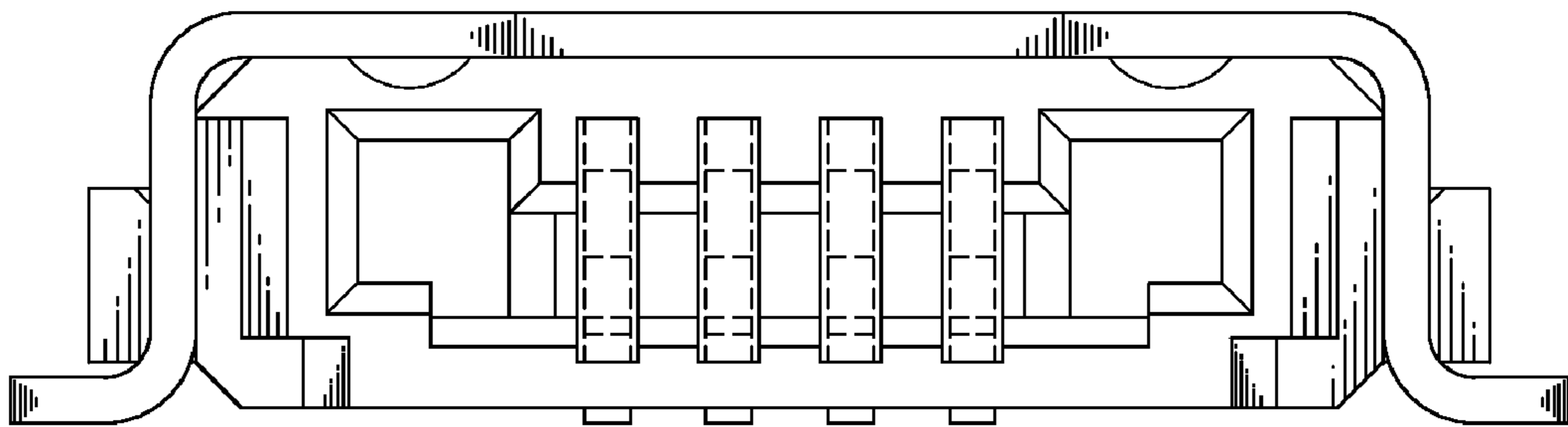


FIG. 2

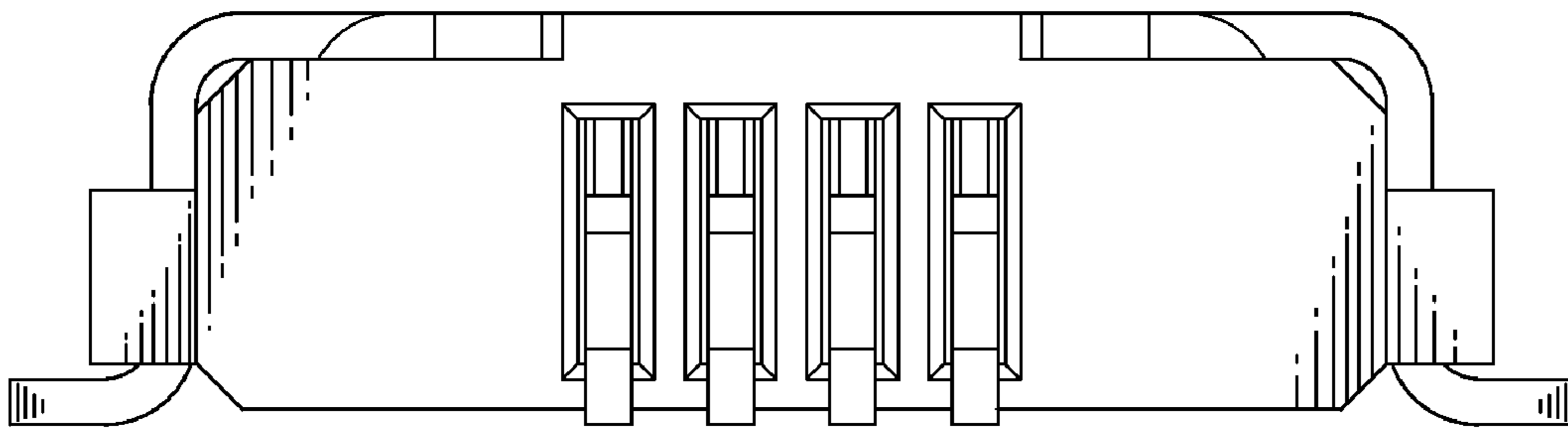


FIG. 3

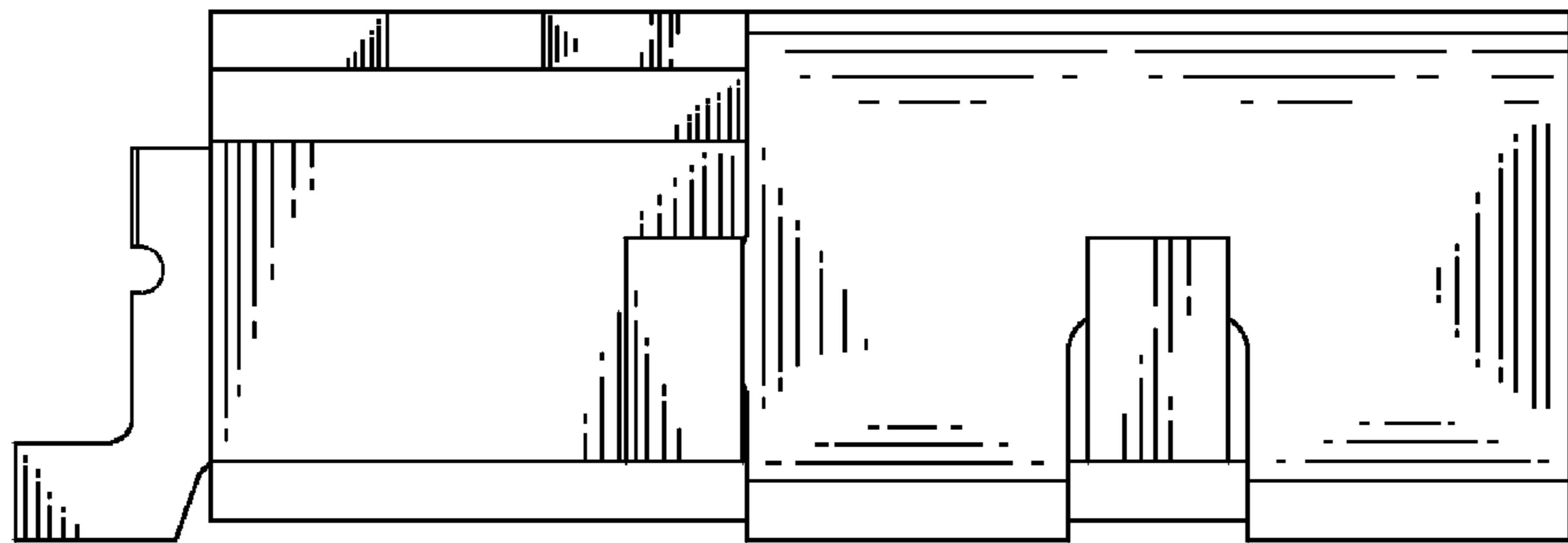


FIG. 4

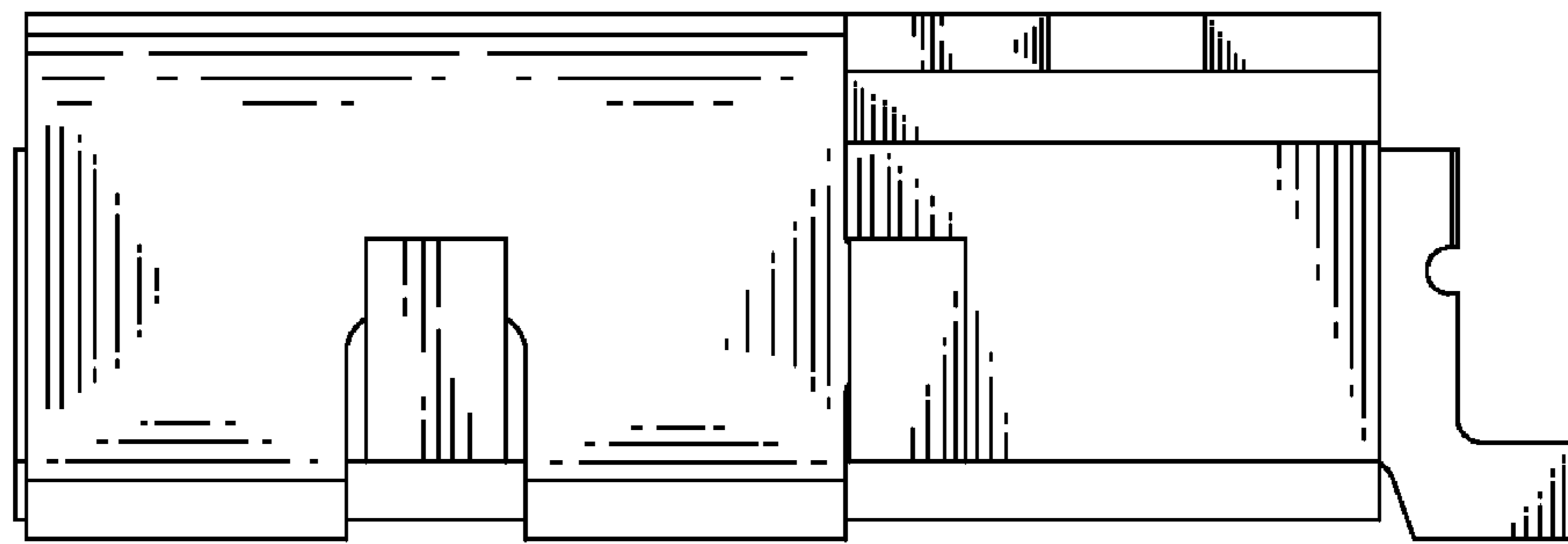


FIG. 5

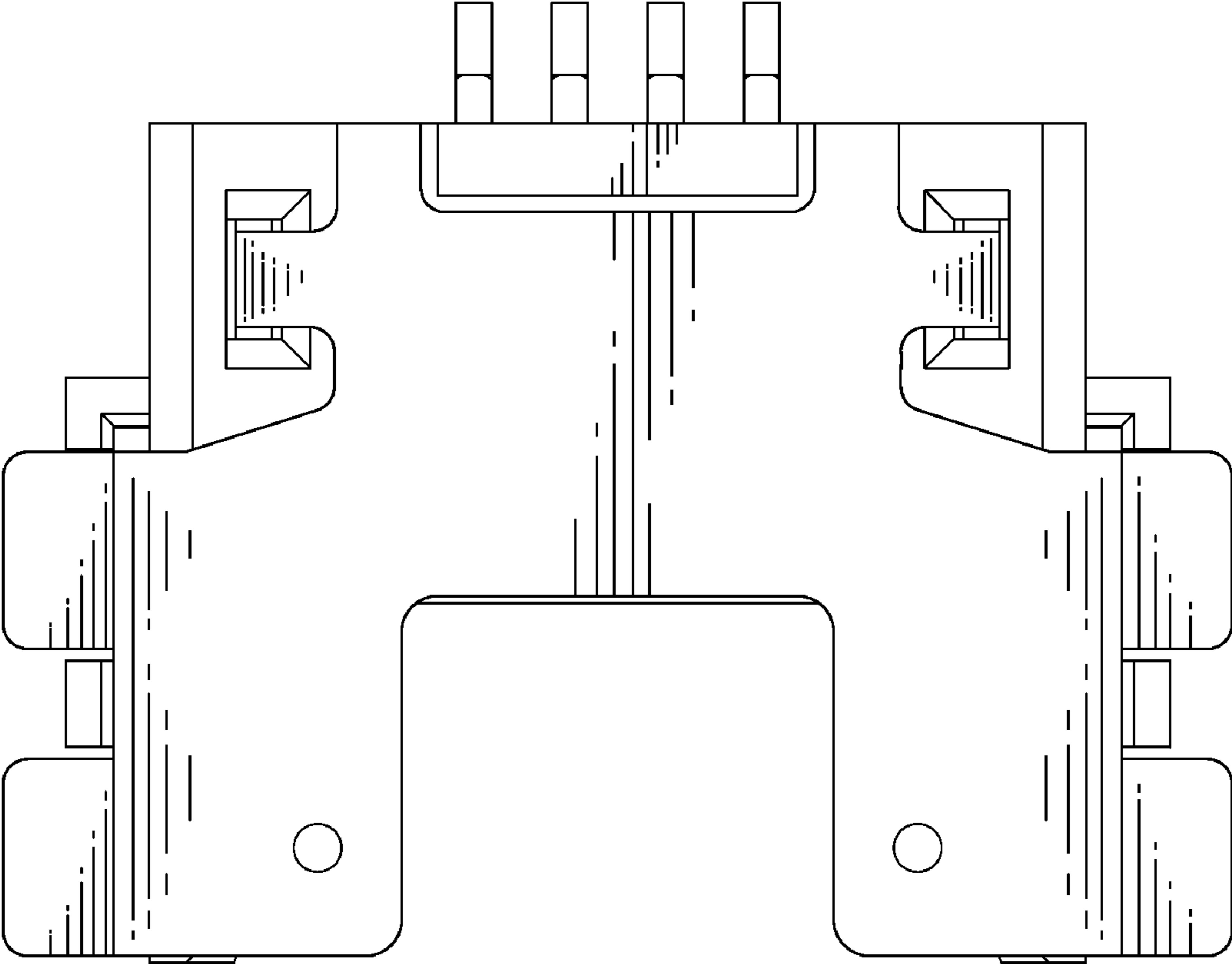


FIG. 6

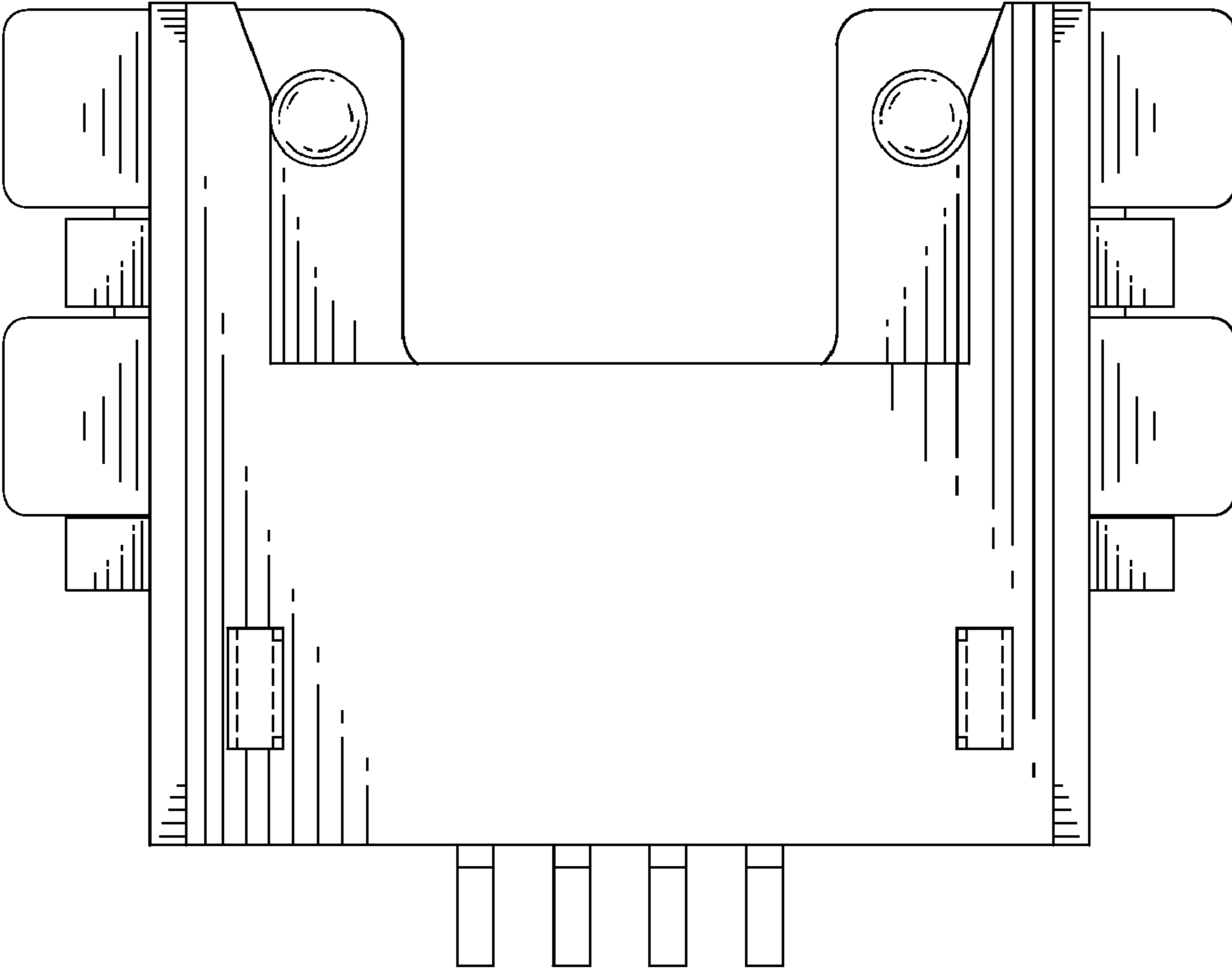


FIG. 7

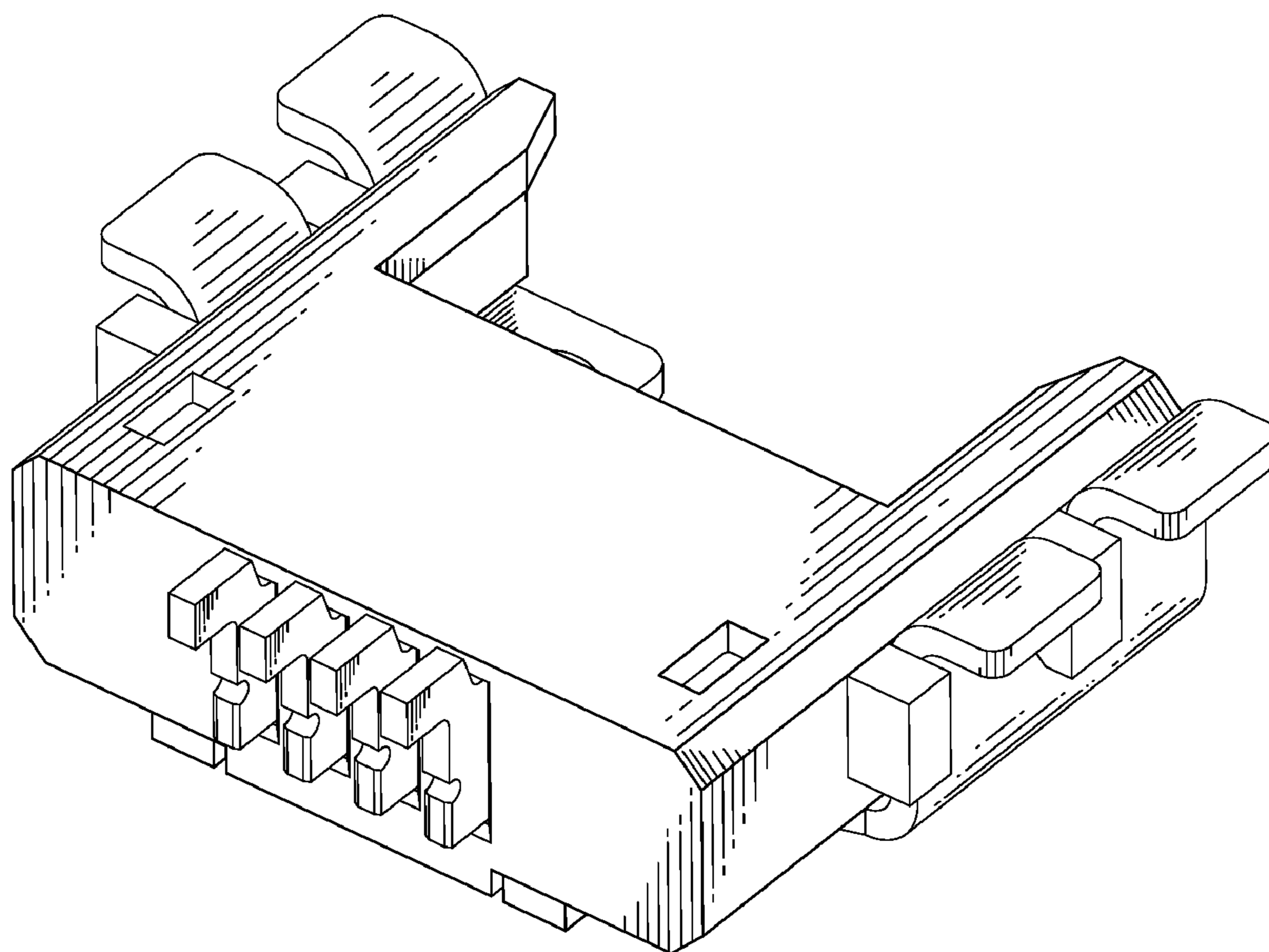


FIG. 8