



US00D627297S

(12) **United States Design Patent**  
**Inomae**

(10) **Patent No.:** **US D627,297 S**

(45) **Date of Patent:** **\*\* Nov. 16, 2010**

(54) **ELECTRIC CONNECTOR**

JP 1343262 11/2008

\* cited by examiner

(75) Inventor: **Koichi Inomae**, Machida (JP)

*Primary Examiner*—Daniel D Bui

(73) Assignee: **I-Pex Co., Ltd.**, Machida-shi (JP)

(74) *Attorney, Agent, or Firm*—Oblon, Spivak, McClelland, Maier & Neustadt, L.L.P.

(\*\*) Term: **14 Years**

(21) Appl. No.: **29/343,781**

(57) **CLAIM**

(22) Filed: **Sep. 18, 2009**

I claim the ornamental design for an electric connector, as shown and described.

(30) **Foreign Application Priority Data**

**DESCRIPTION**

Jun. 18, 2009 (JP) ..... 2009-013800

FIG. 1 is a front elevational view of an electric connector showing my new design;

(51) **LOC (9) Cl.** ..... **13-03**

FIG. 2 is a top plan view thereof;

(52) **U.S. Cl.** ..... **D13/147**

FIG. 3 is a rear elevational view thereof;

(58) **Field of Classification Search** ..... D13/133,  
D13/147, 154, 184; 439/378, 607.04, 607.05,  
439/607.17, 607.25, 607.34, 607.41, 607.53,  
439/660, 668, 680, 682, 686, 892, 894  
See application file for complete search history.

FIG. 4 is a bottom plan view thereof;

FIG. 5 is a right side elevational view thereof, the left side elevational view being a mirror image of the right side elevational view shown;

(56) **References Cited**

FIG. 6 is a cross-sectional view thereof, on an enlarged scale, taken along line 6—6 in FIG. 1;

**U.S. PATENT DOCUMENTS**

FIG. 7 is a front, top and right side perspective view thereof;

4,487,464 A \* 12/1984 Kirschenbaum ..... 439/62  
D525,944 S \* 8/2006 Katoh ..... D13/147  
D583,765 S \* 12/2008 Chiang ..... D13/147  
D614,139 S \* 4/2010 Nakajima et al. .... D13/147

FIG. 8 is a front, bottom and right side perspective view thereof; and,

**FOREIGN PATENT DOCUMENTS**

JP 1283856 10/2006  
JP 1319086 1/2008

FIG. 9 is a front, top and right side perspective view thereof, in use condition.

The broken lines in the drawings depict environmental subject matter only and form no part of the claimed design.

**1 Claim, 6 Drawing Sheets**

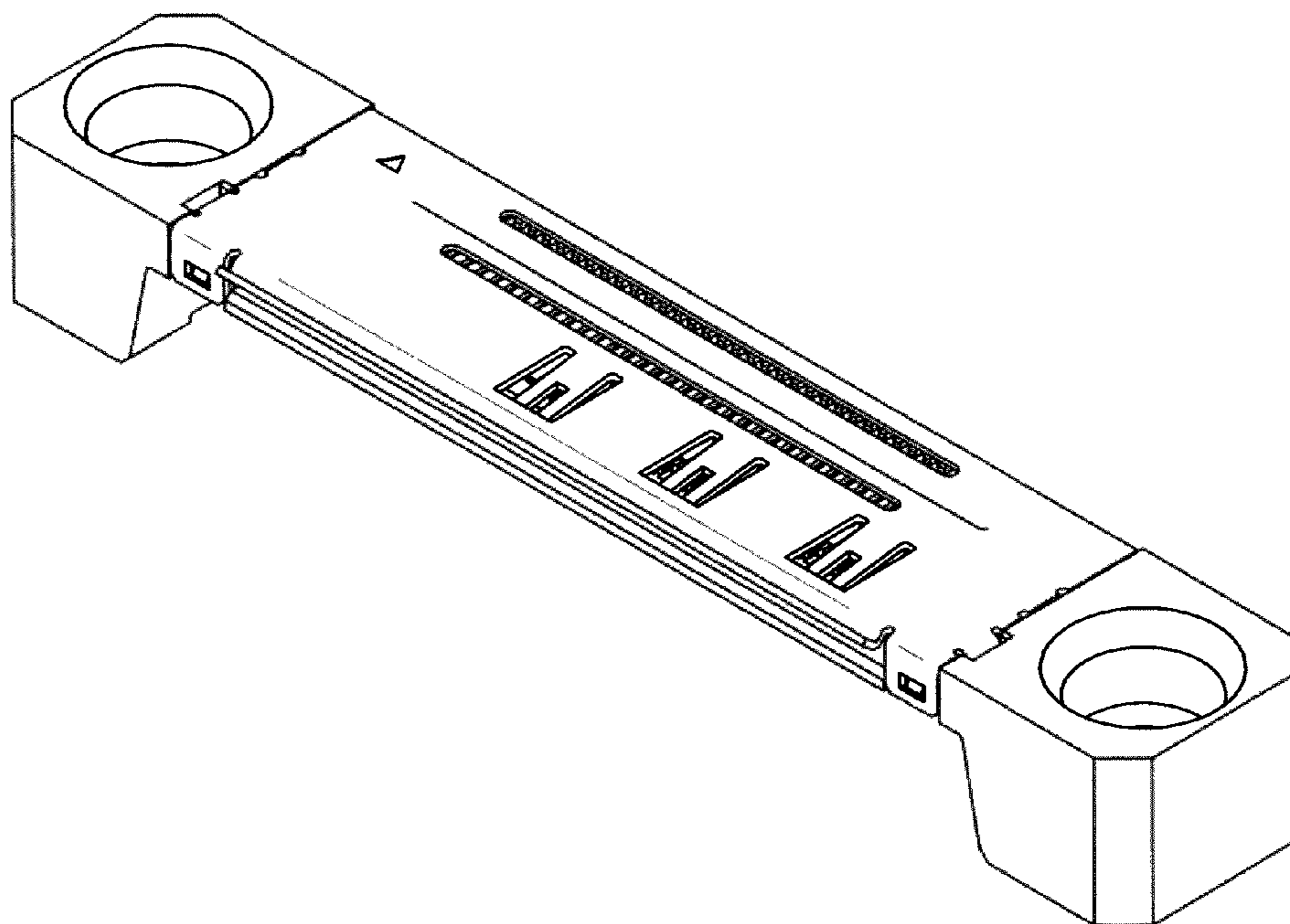


FIG. 1

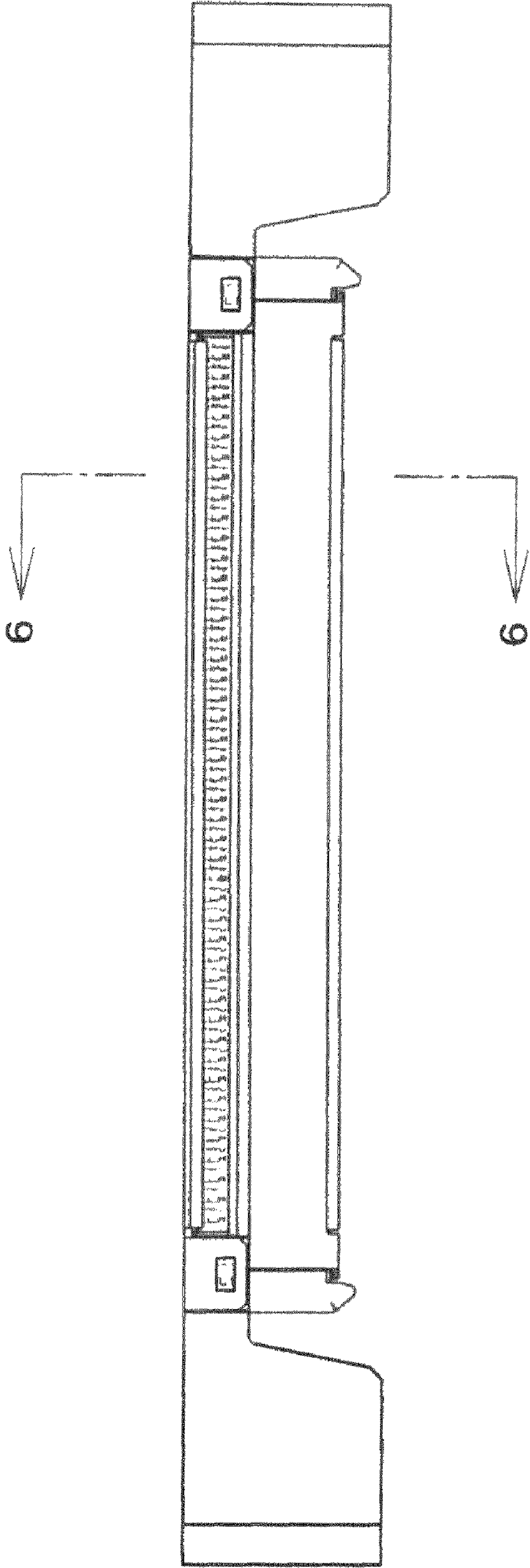


FIG. 2

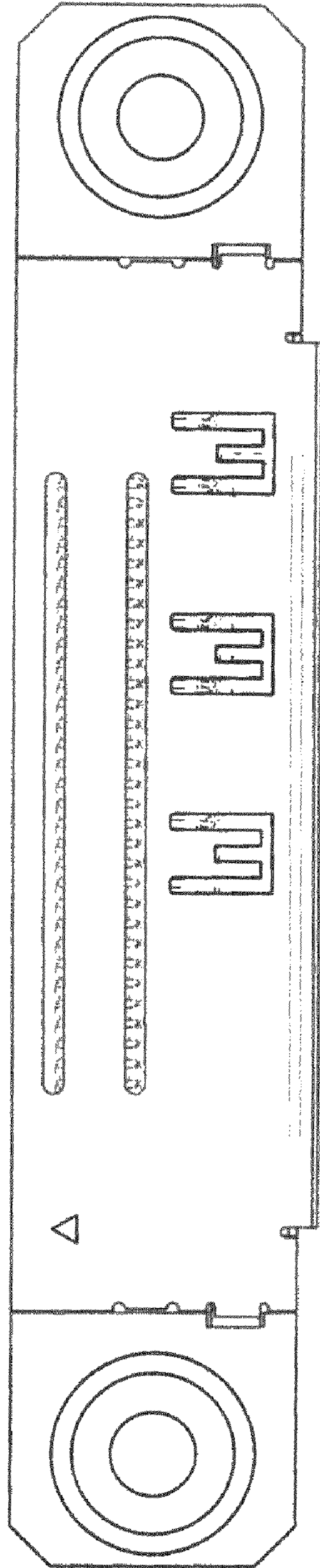


FIG. 3

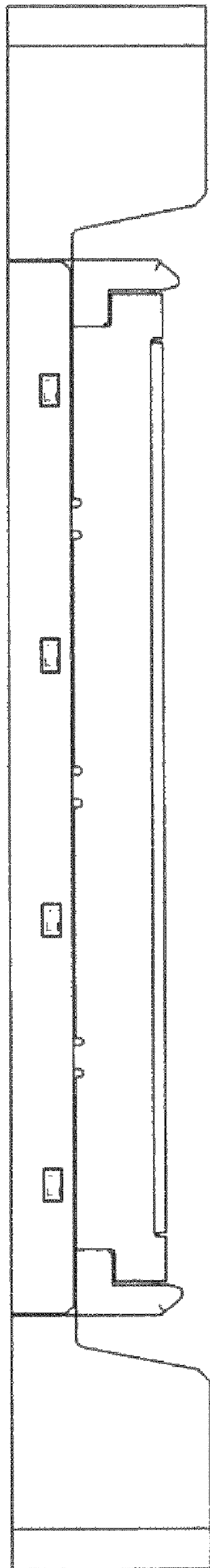
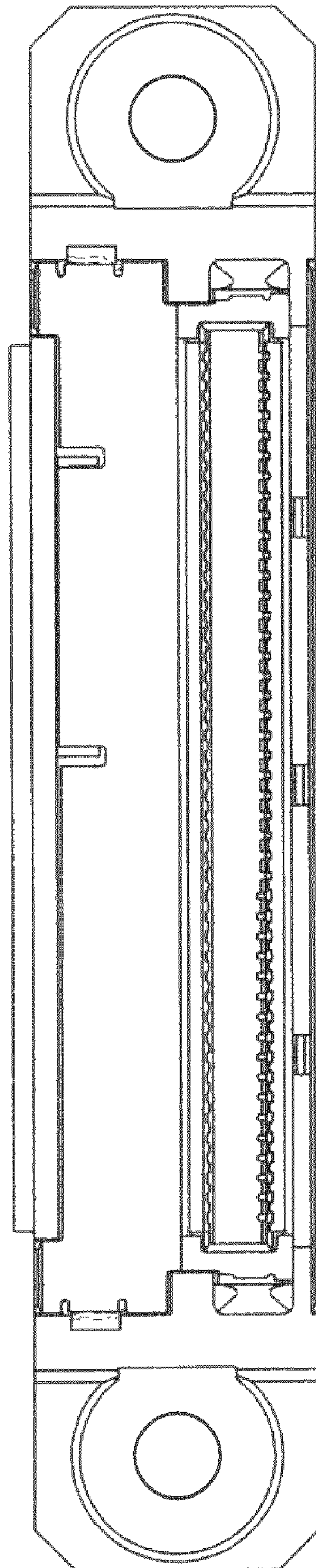


FIG. 4



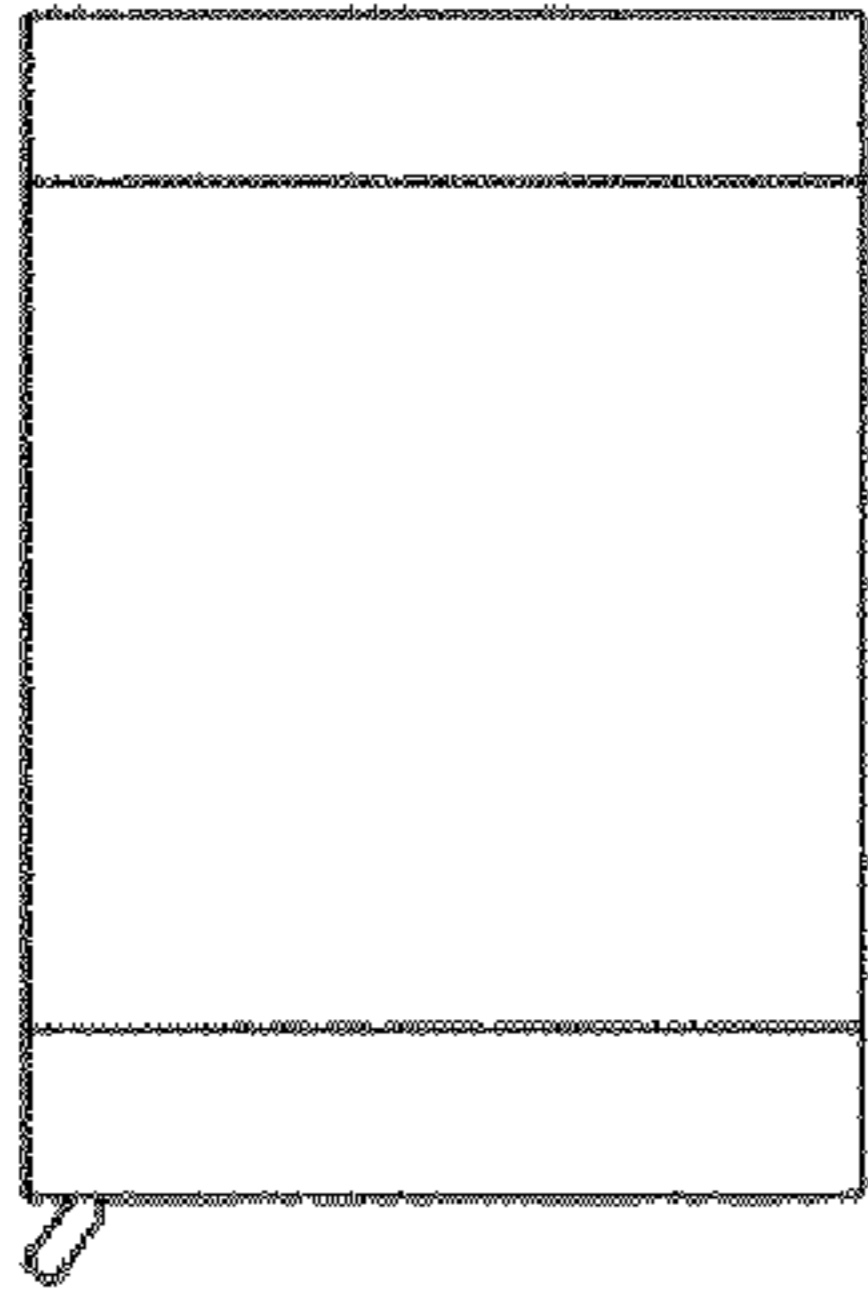


FIG. 5

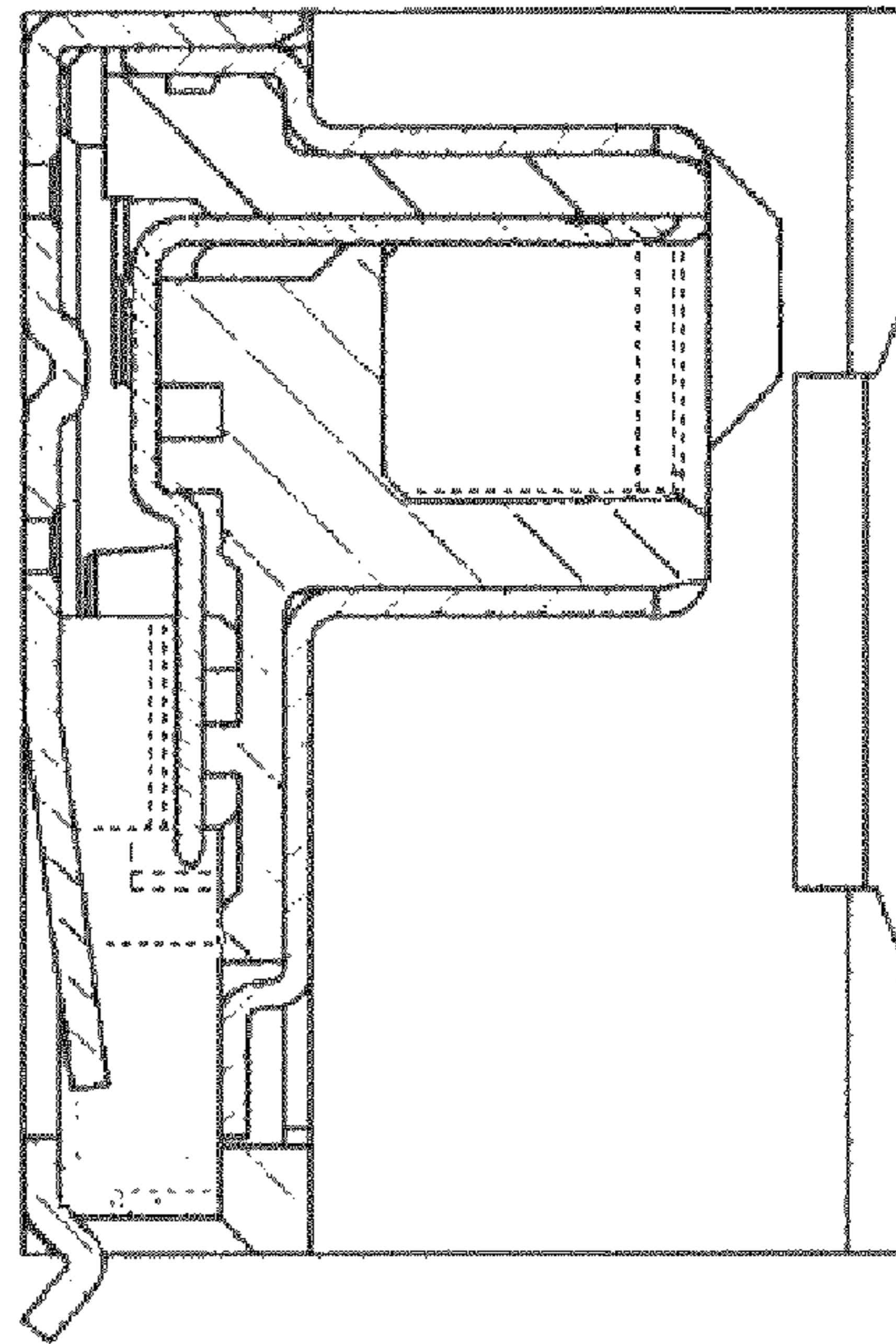


FIG. 6

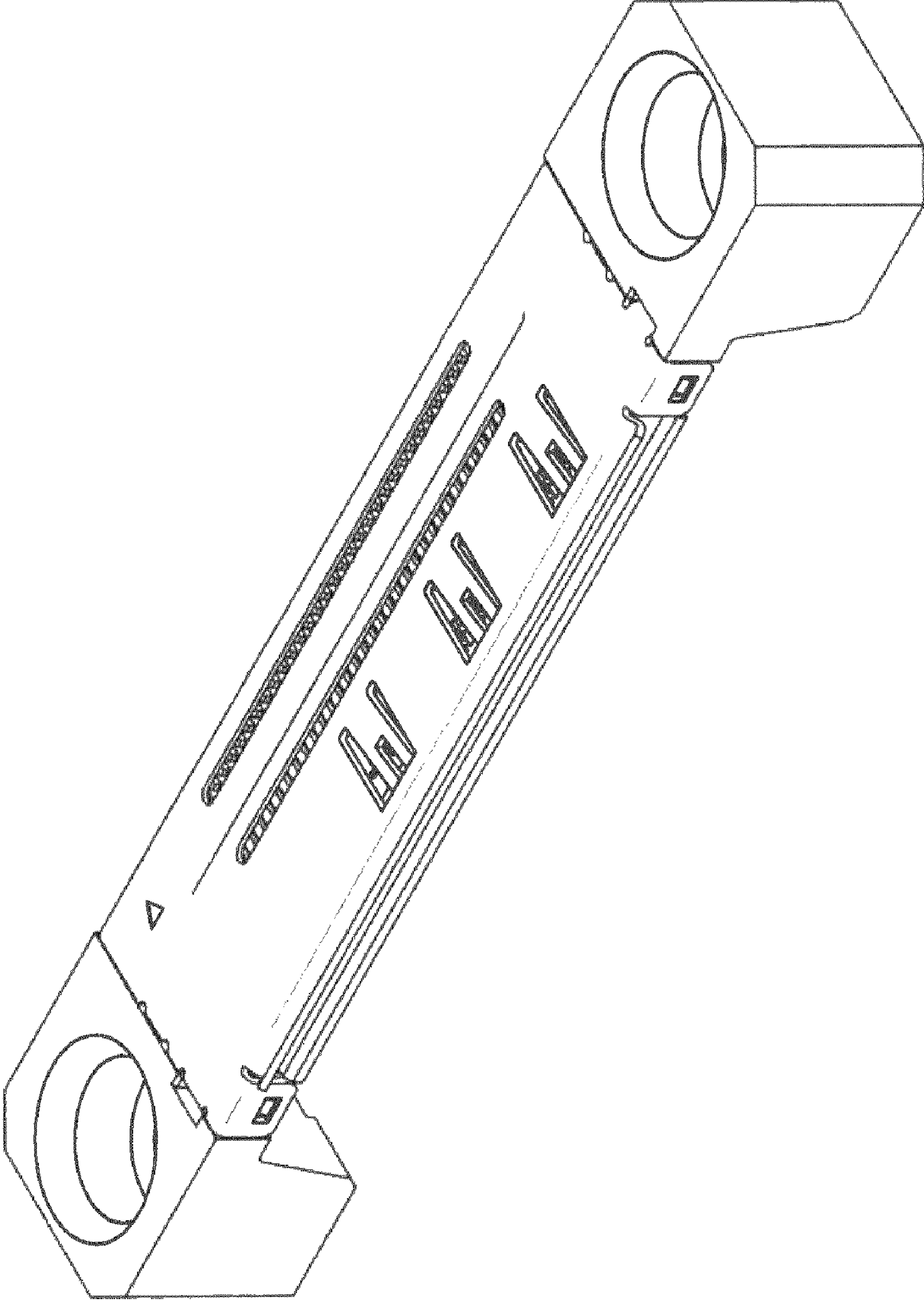


FIG. 7

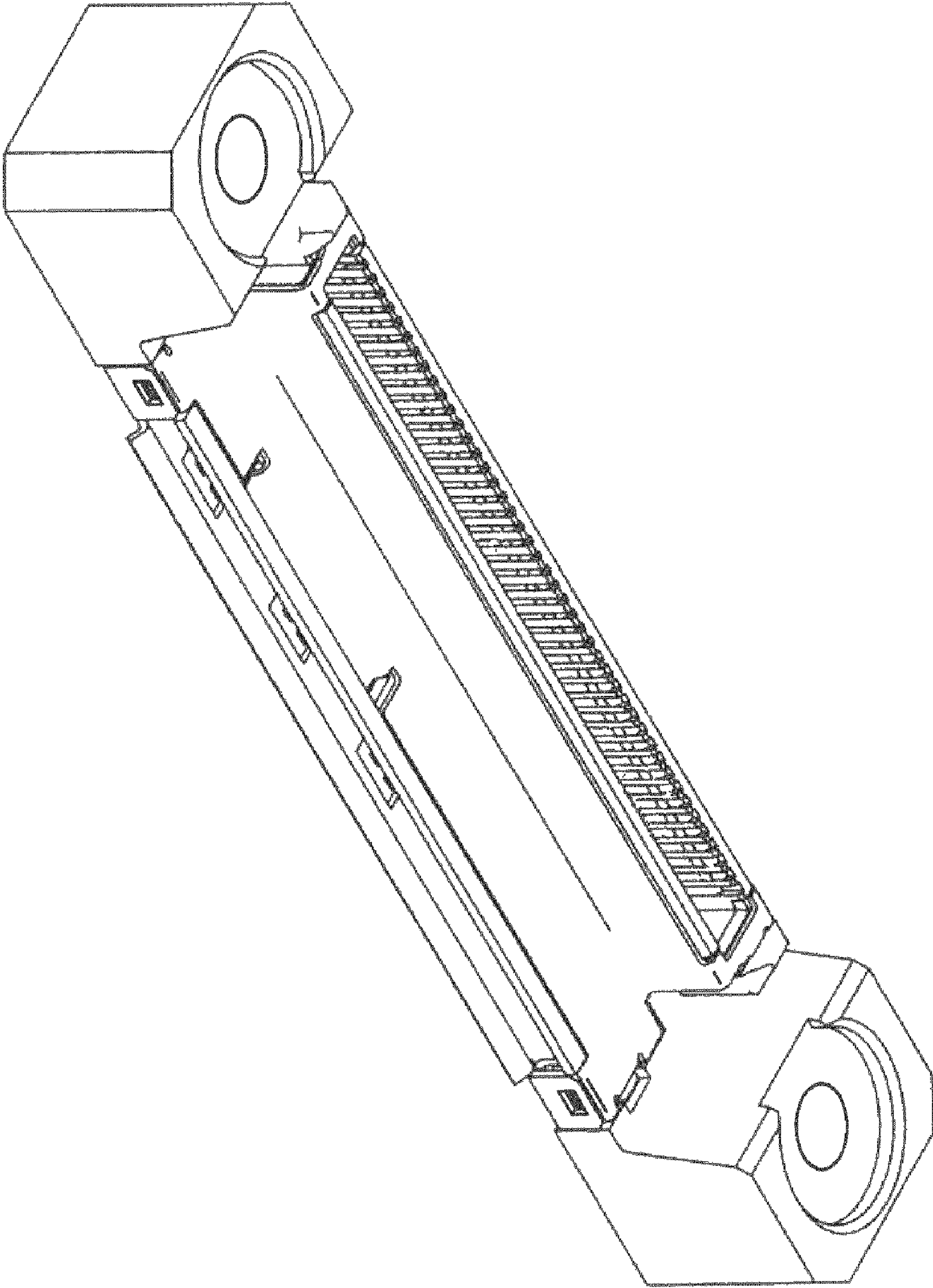


FIG. 8

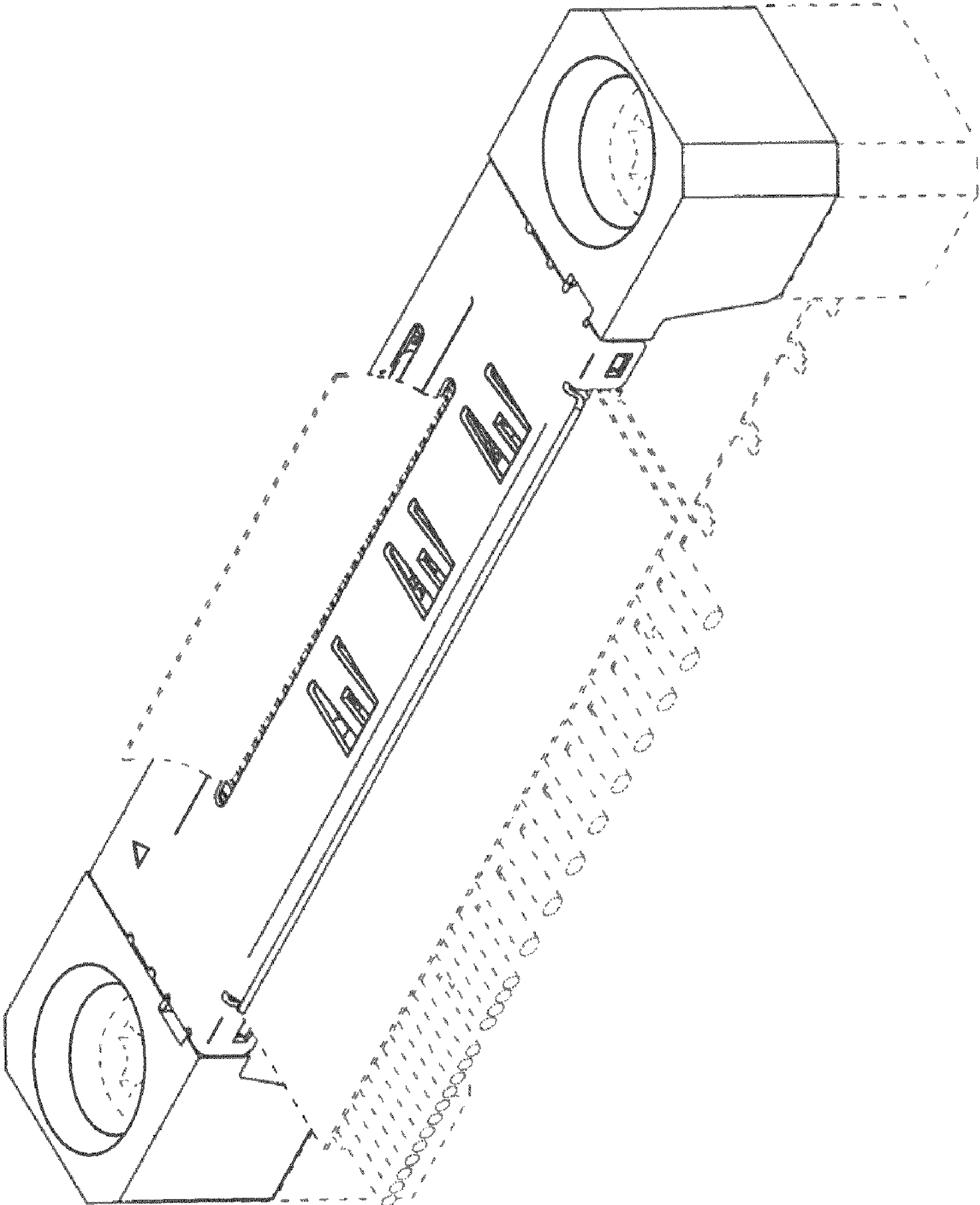


FIG. 9