



US00D627296S

(12) **United States Design Patent**
Vogt et al.

(10) **Patent No.:** **US D627,296 S**
(45) **Date of Patent:** **** Nov. 16, 2010**

(54) **LED LAMP SOCKET**

(75) Inventors: **Karl-Wilhelm Vogt**, Ense (DE);
Manfred Neuhaus, Arnsberg (DE)

(73) Assignee: **BJB GmbH & Co. KG**, Arnsberg (DE)

(**) Term: **14 Years**

(21) Appl. No.: **29/359,029**

(22) Filed: **Apr. 5, 2010**

(30) **Foreign Application Priority Data**

Oct. 5, 2009 (EM) 001169148-0002

(51) **LOC (9) Cl.** **13-03**

(52) **U.S. Cl.** **D13/134**

(58) **Field of Classification Search** D13/123,
D13/133, 134, 136, 147, 149, 179; D26/138,
D26/140; 362/217, 147, 223, 260, 294; 439/241,
439/242, 243, 244, 239, 226, 240; 165/80.3,
165/104.33, 151, 122, 185; 257/706, 707,
257/718-722; 361/687, 695, 697, 700, 702,
361/704, 709, 710, 711, 719

See application file for complete search history.

(56) **References Cited**

U.S. PATENT DOCUMENTS

6,773,138 B2 * 8/2004 Coushaine 362/656

D586,751 S * 2/2009 Coushaine et al. D13/134
D610,543 S * 2/2010 Coushaine D13/134
D610,544 S * 2/2010 Coushaine et al. D13/134
D610,545 S * 2/2010 Coushaine et al. D13/134
D610,991 S * 3/2010 Coushaine et al. D13/134
2009/0034283 A1 * 2/2009 Albright et al. 362/545

* cited by examiner

Primary Examiner—Daniel D Bui

Assistant Examiner—Thomas J Johannes

(74) *Attorney, Agent, or Firm*—Andrew Wilford

(57) **CLAIM**

The ornamental design for an LED lamp socket, as shown and described.

DESCRIPTION

FIG. 1 is a perspective view of the top side of an LED lamp socket showing our new design;

FIG. 2 is a perspective view of the bottom side thereof;

FIG. 3 is a top plan view thereof;

FIG. 4 is a side view thereof from the right in FIG. 3;

FIG. 5 is a side view thereof from below in FIG. 3;

FIG. 6 is a side view thereof from the left in FIG. 3; and,

FIG. 7 is a side view thereof from the top in FIG. 3.

1 Claim, 3 Drawing Sheets

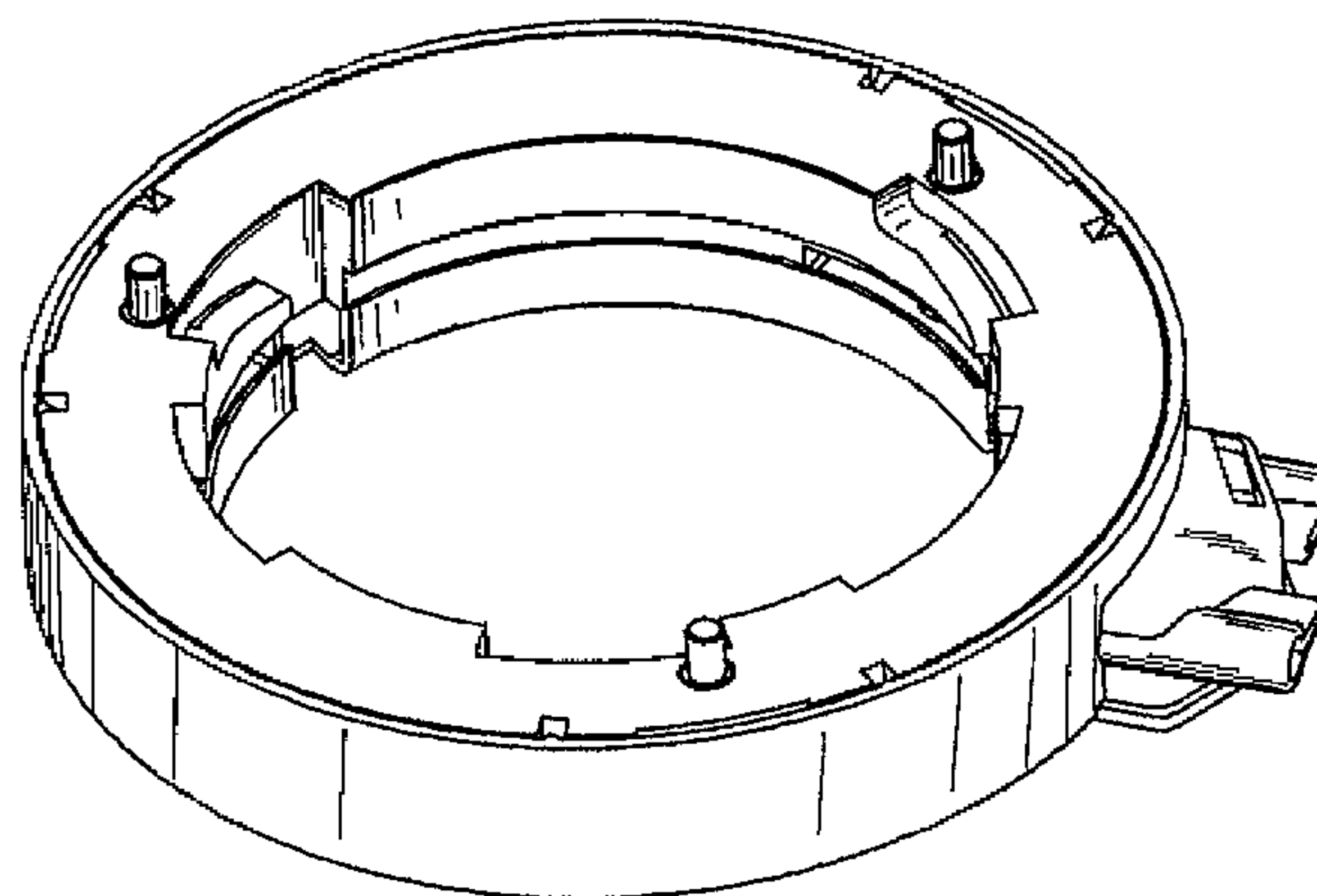
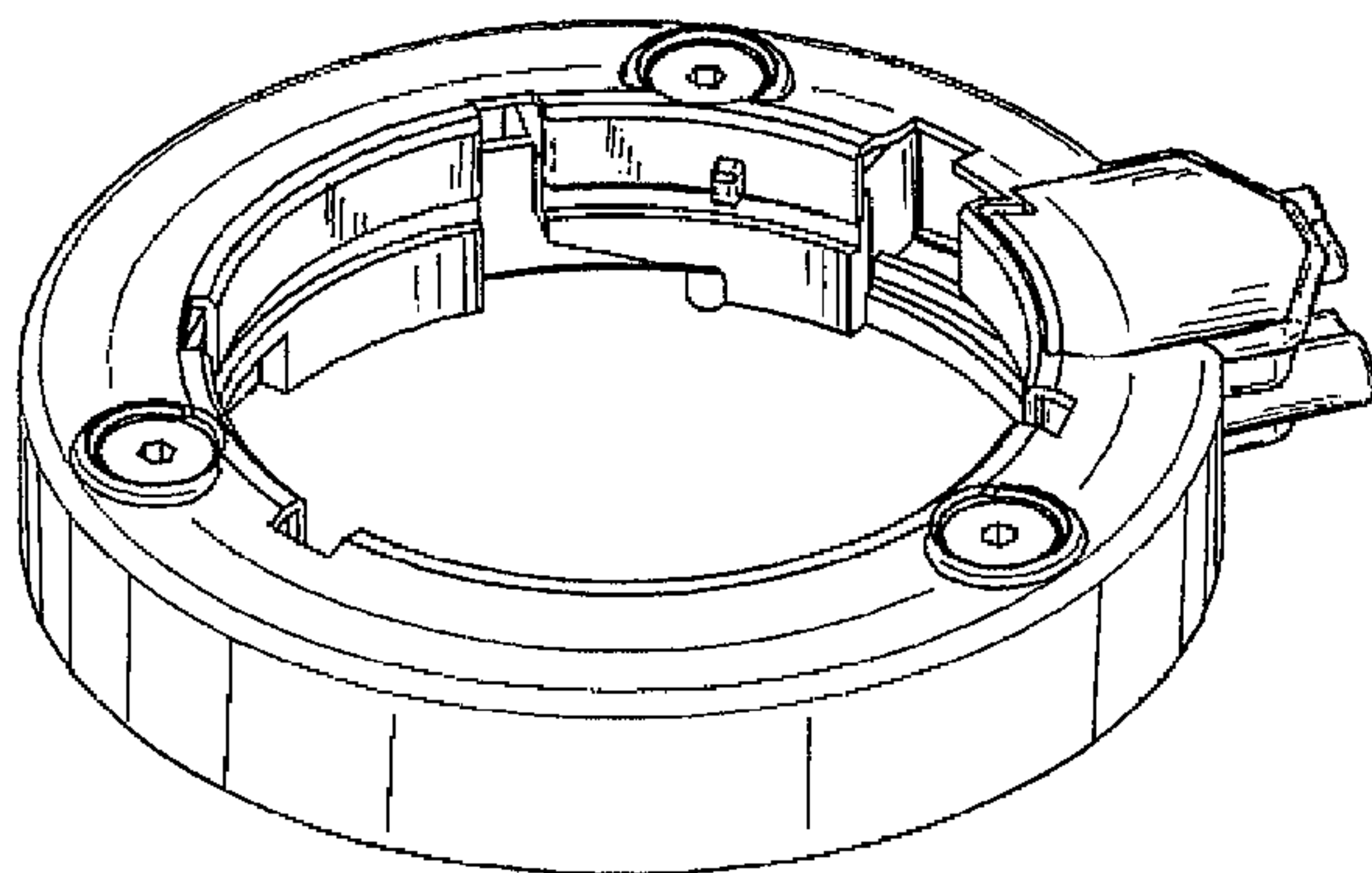


Fig. 1

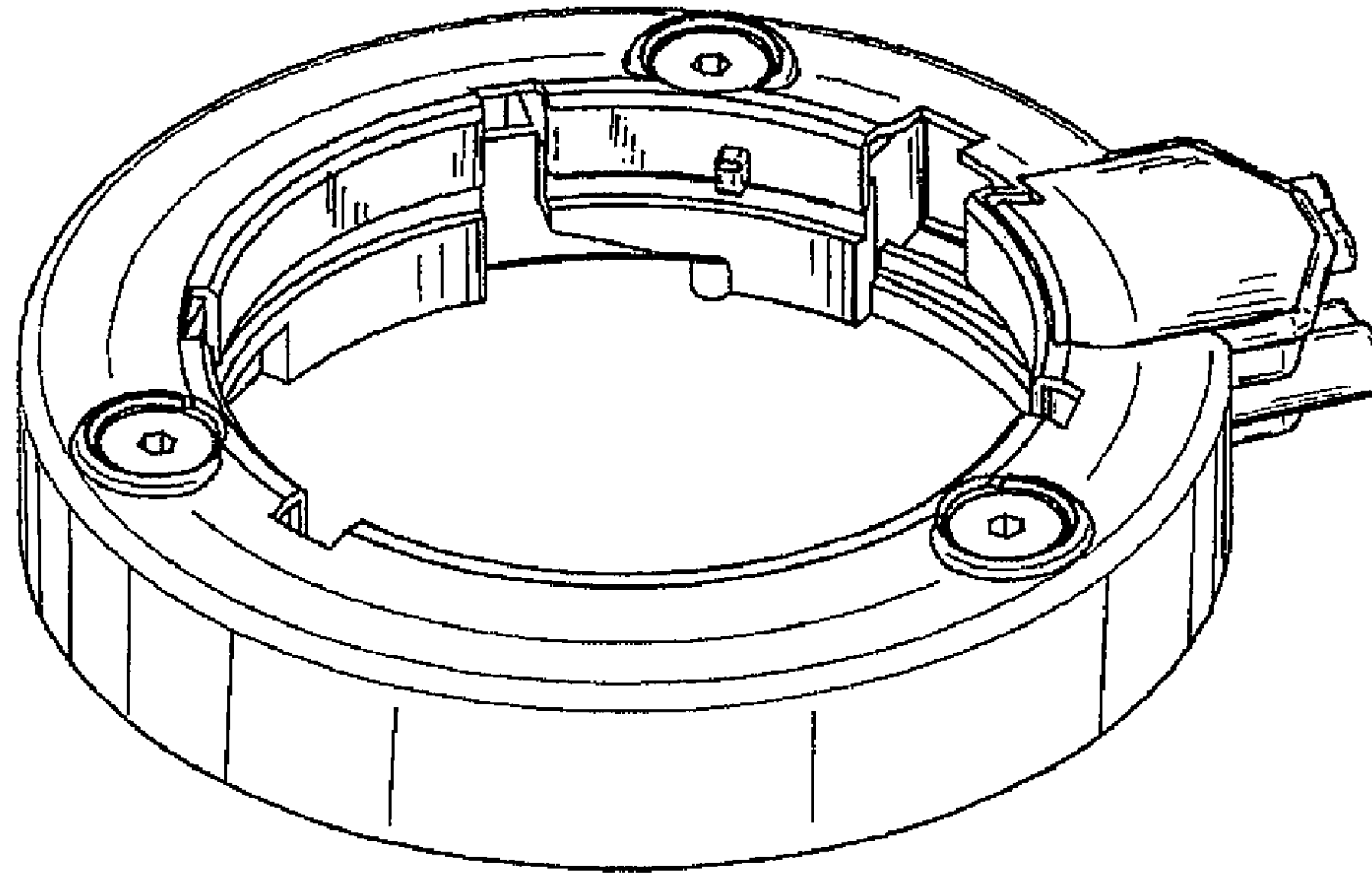


Fig. 2

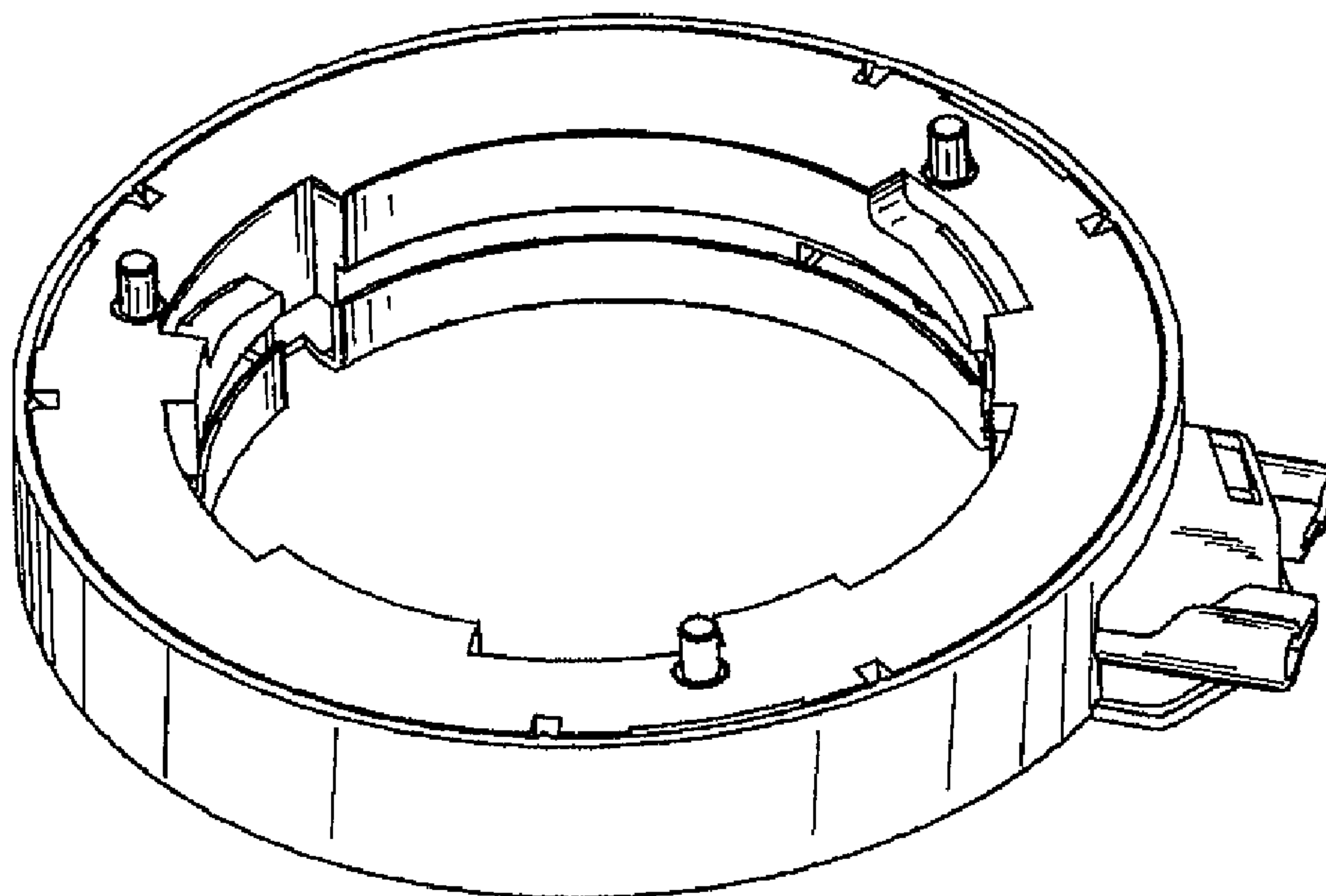


Fig. 3

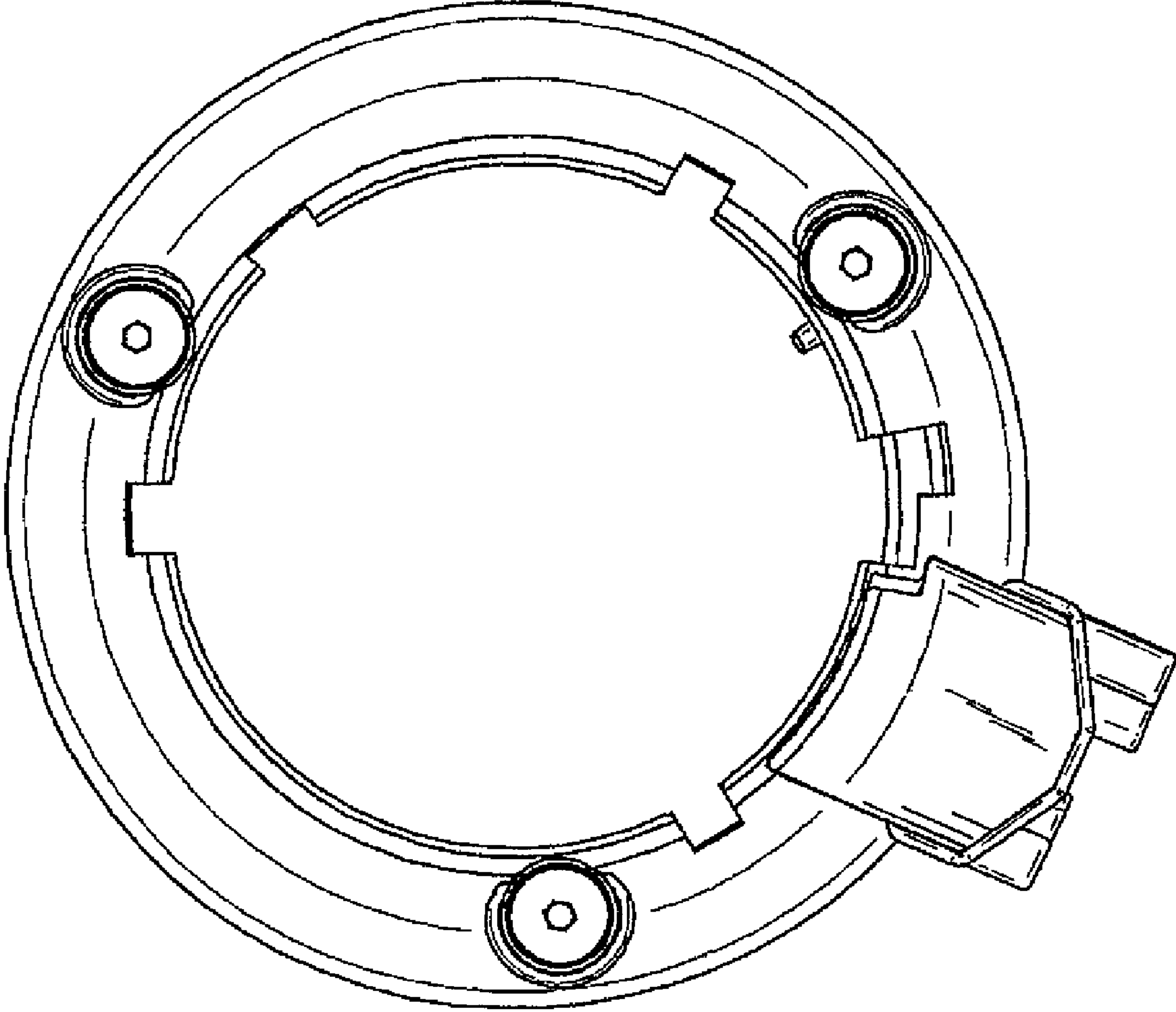


Fig. 4

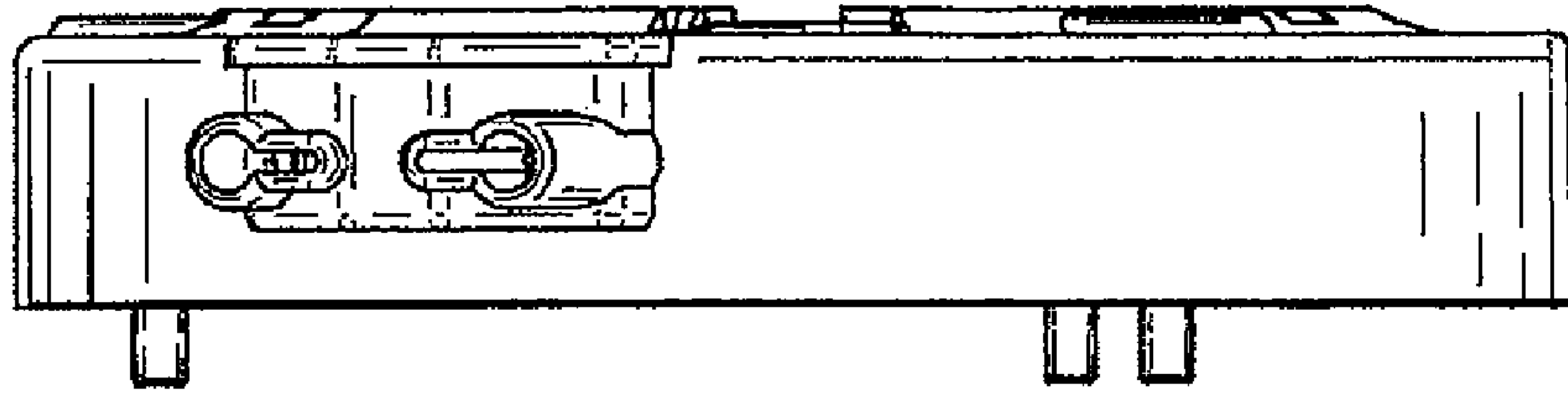


Fig. 5

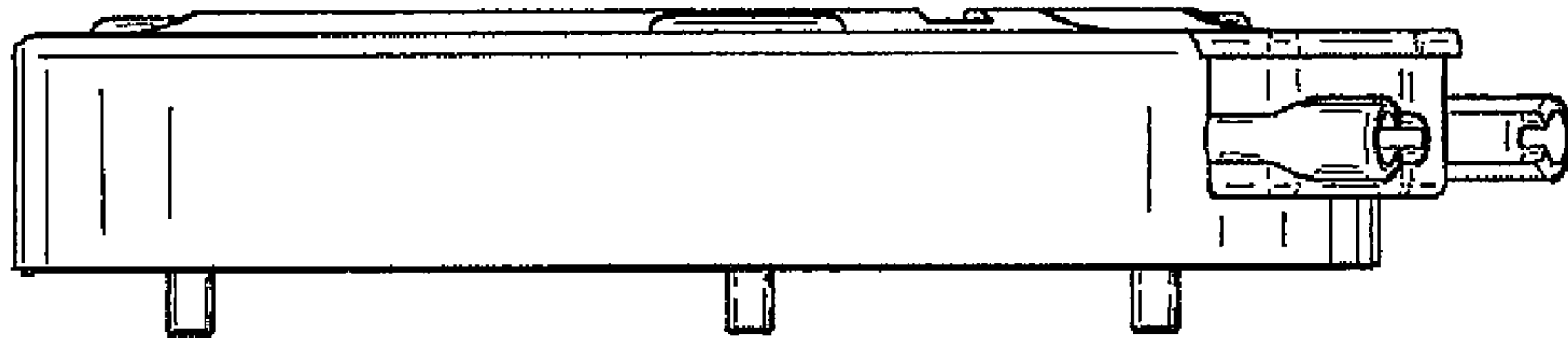


Fig. 6

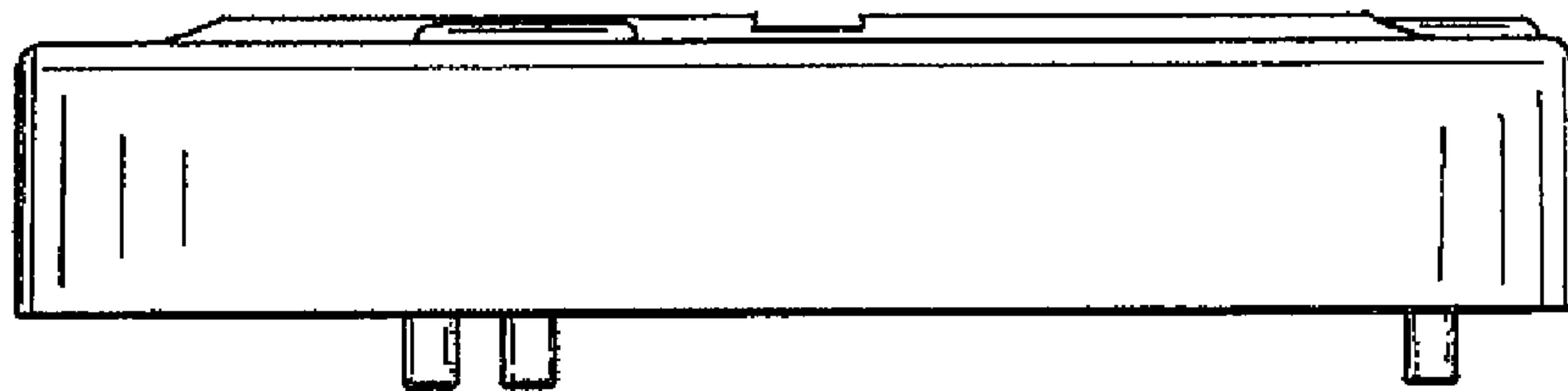


Fig. 7

