



US00D627295S

(12) **United States Design Patent**  
**Lannoch**

(10) **Patent No.:** **US D627,295 S**  
(45) **Date of Patent:** **\*\* Nov. 16, 2010**

(54) **ELECTRONIC MOTOR**

(75) Inventor: **Hans-Juergen Lannoch**,  
Linkenheim-Hochstetten (DE)

(73) Assignee: **Sew-Eurodrive GmbH & Co. KG**,  
Bruchsal (DE)

(\*\*) Term: **14 Years**

(21) Appl. No.: **29/359,054**

(22) Filed: **Apr. 5, 2010**

**Related U.S. Application Data**

(62) Division of application No. 29/314,058, filed on Mar. 2, 2009, now Pat. No. Des. 614,568.

(51) **LOC (9) Cl.** ..... **13-01**

(52) **U.S. Cl.** ..... **D13/112**

(58) **Field of Classification Search** ..... D13/112,  
D13/113, 114, 122, 199; D15/3, 5, 199;  
74/606 R, 609; 310/10, 40 R, 42, 51, 58,  
310/71, 85, 89, 91, 109, 236, 239, 254; 318/245,  
318/255

See application file for complete search history.

(56) **References Cited**

**U.S. PATENT DOCUMENTS**

D137,665 S 4/1944 Heintz  
D140,204 S 1/1945 Lear  
D140,493 S 2/1945 Wehner

D141,554 S 6/1945 Lear  
D207,401 S 4/1967 Andrews et al.  
D297,426 S \* 8/1988 Mabuchi ..... D13/112  
D336,890 S 6/1993 Hirose et al.  
5,543,671 A 8/1996 Williams  
D386,744 S 11/1997 Urvoy  
D424,516 S 5/2000 Friedrichsen  
D511,138 S 11/2005 Kwan  
D516,506 S \* 3/2006 Ichimaru et al. .... D13/112  
D576,941 S \* 9/2008 Evon et al. .... D13/112

\* cited by examiner

*Primary Examiner*—Prabhakar Deshmukh

*Assistant Examiner*—Derrick Holland

(74) *Attorney, Agent, or Firm*—Kenyon & Kenyon LLP

(57) **CLAIM**

The ornamental design for an electric motor, as shown and described.

**DESCRIPTION**

FIG. 1 is a front perspective view of an electric motor showing my new design;

FIG. 2 is a front view thereof;

FIG. 3 is a rear view thereof;

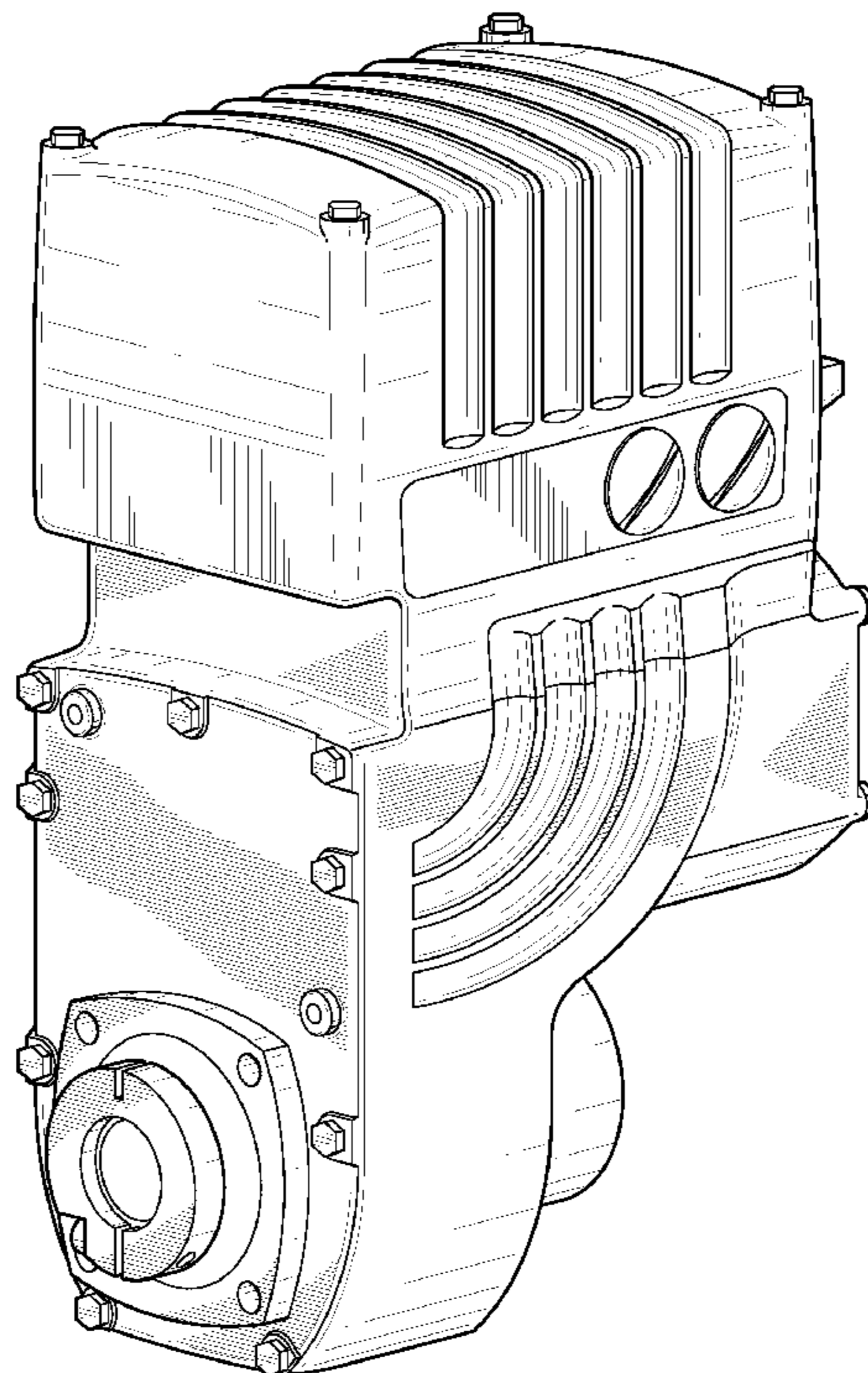
FIG. 4 is a left side view thereof;

FIG. 5 is a right side view thereof;

FIG. 6 is a top plan view thereof; and,

FIG. 7 is a bottom plan view thereof.

**1 Claim, 7 Drawing Sheets**



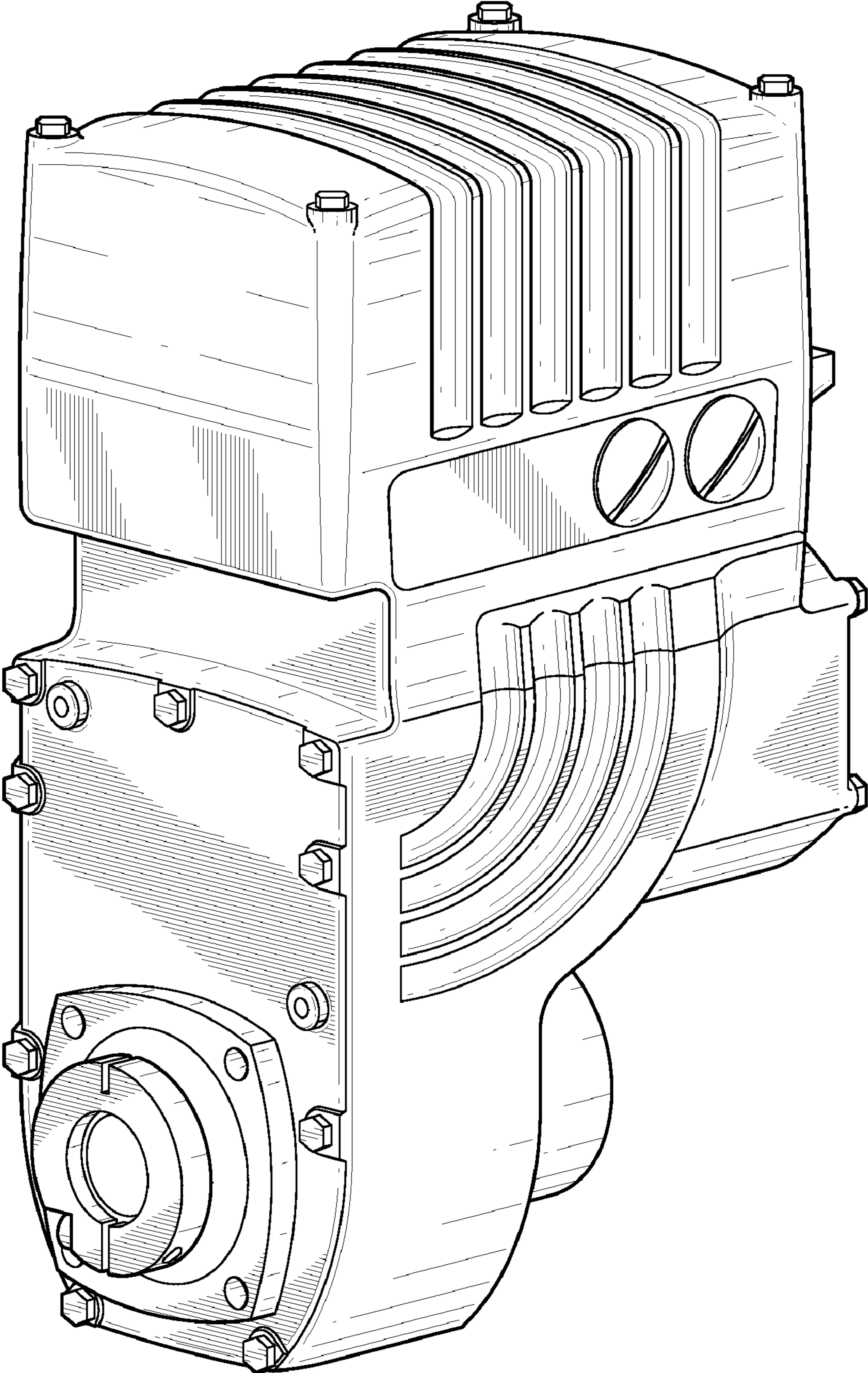


FIG. 1

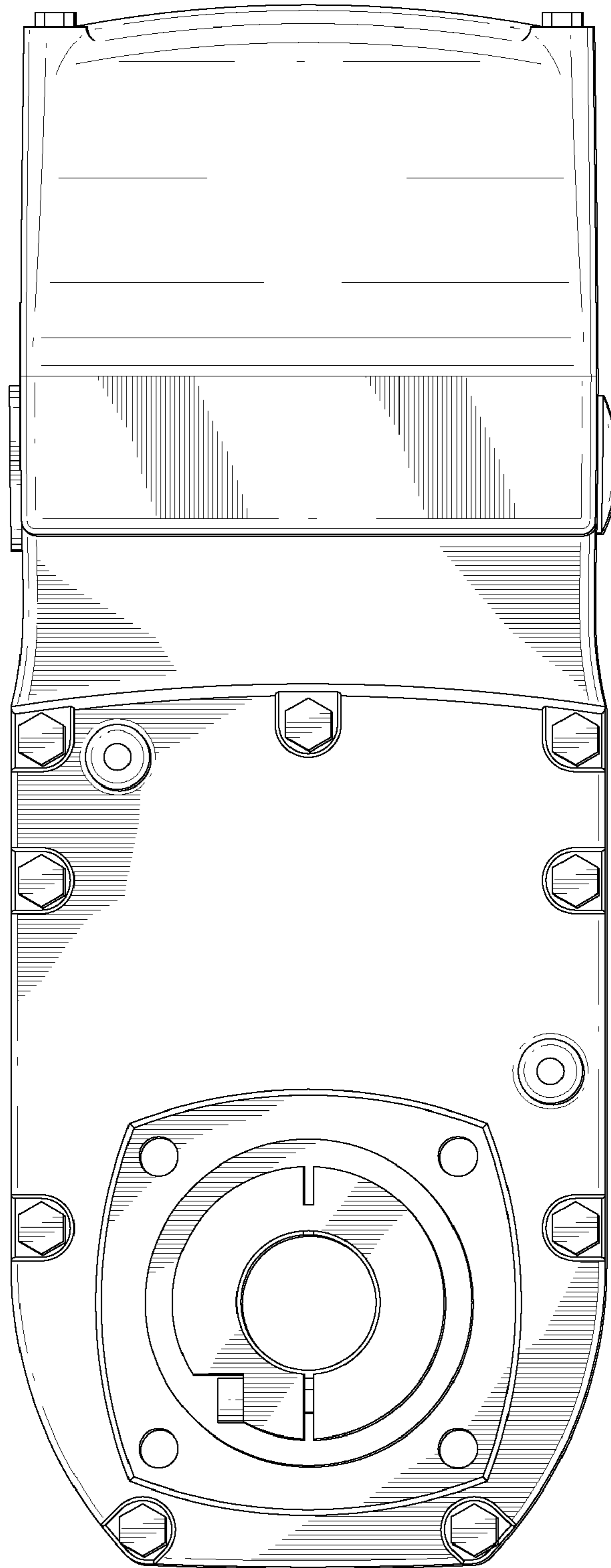


FIG. 2

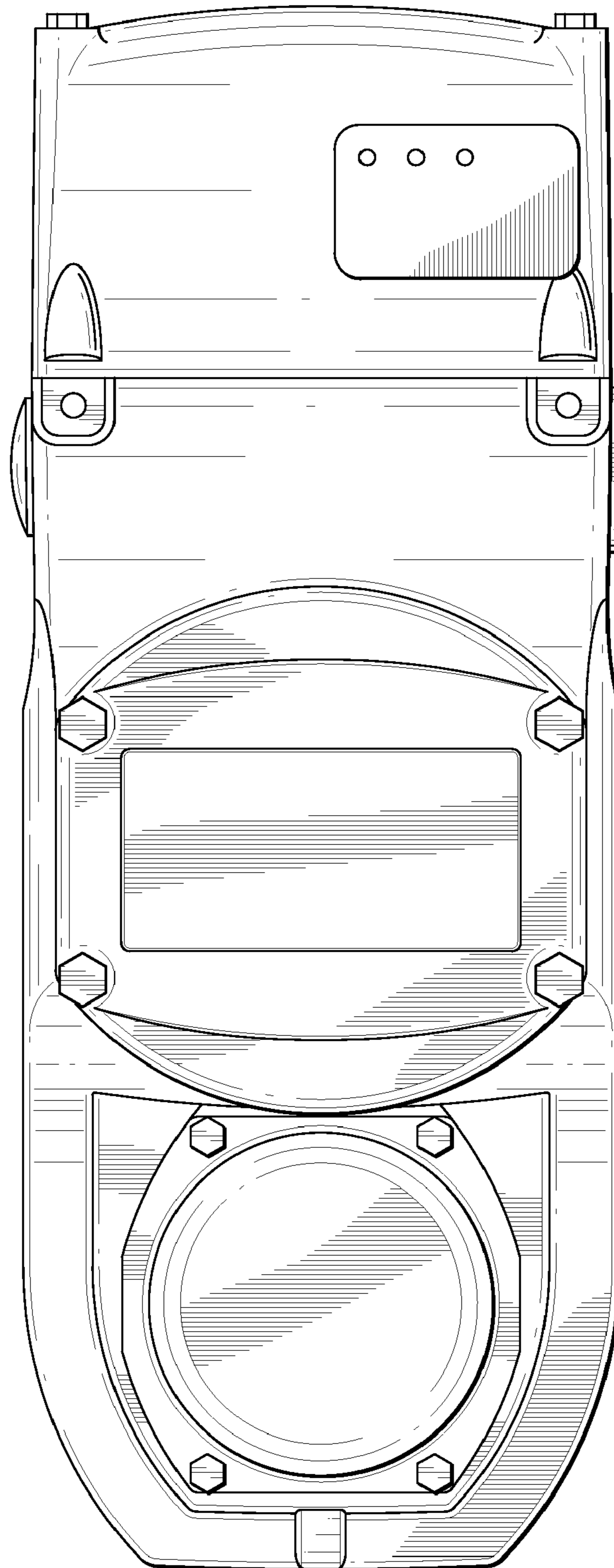


FIG. 3

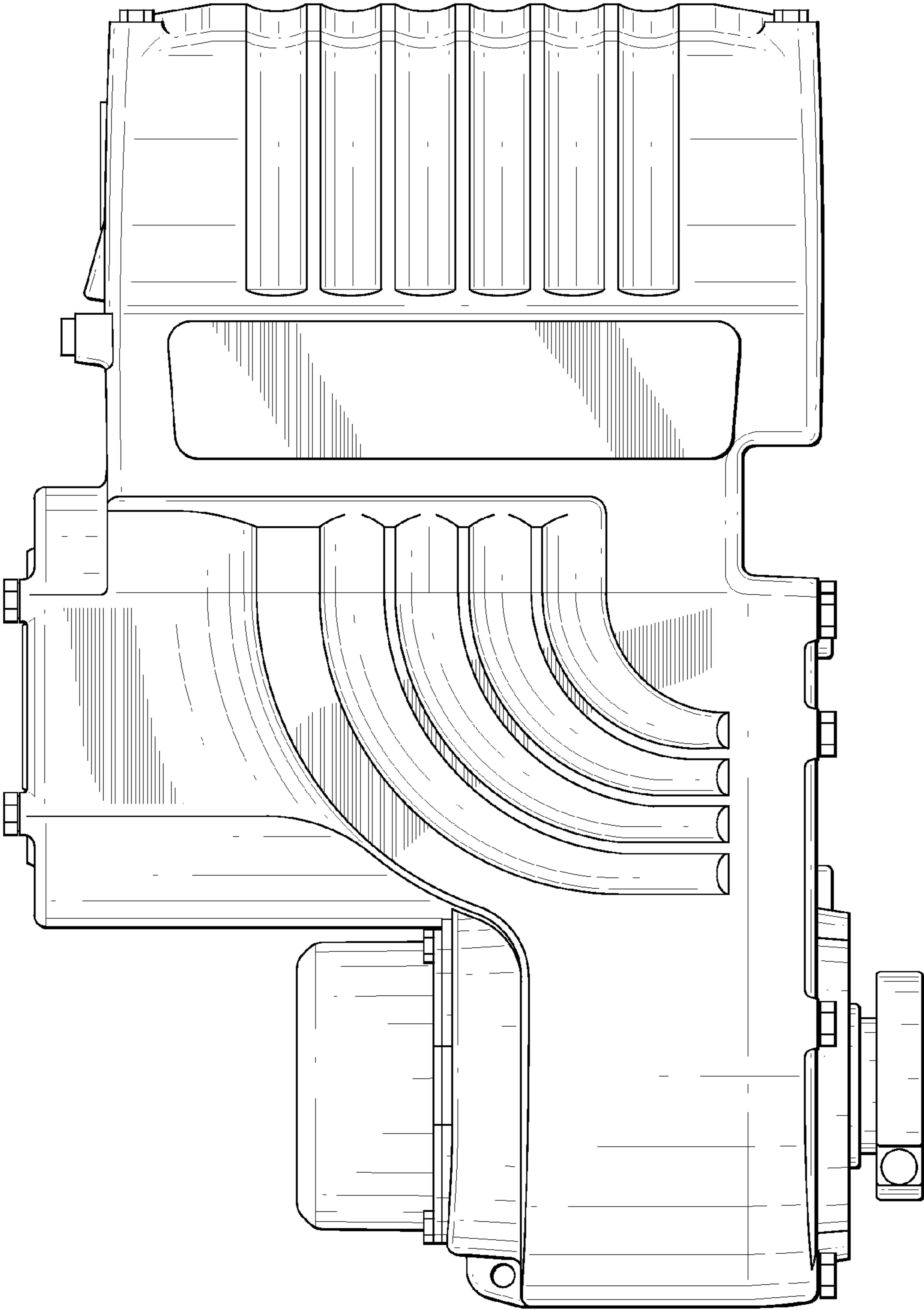


FIG. 4

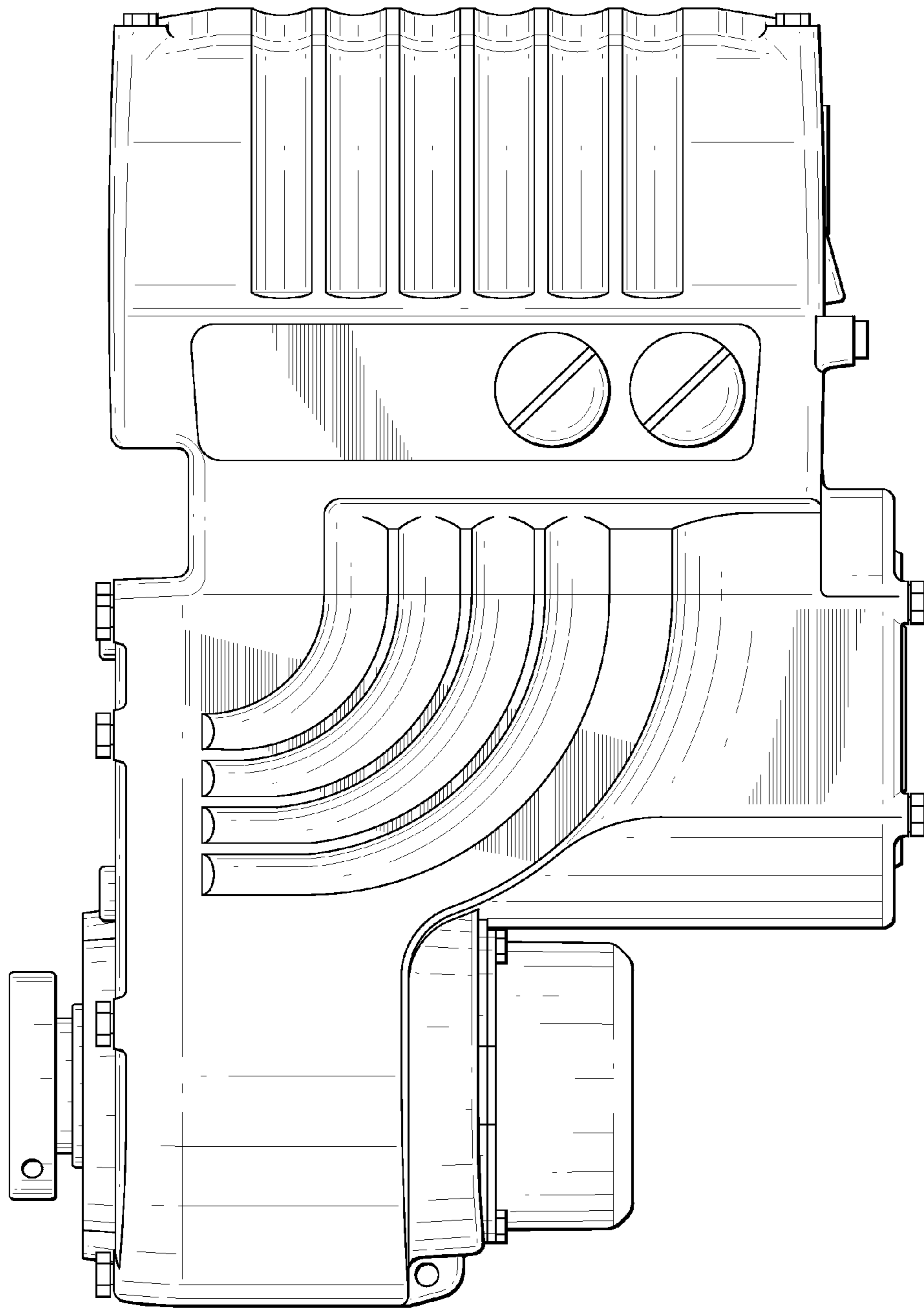


FIG. 5

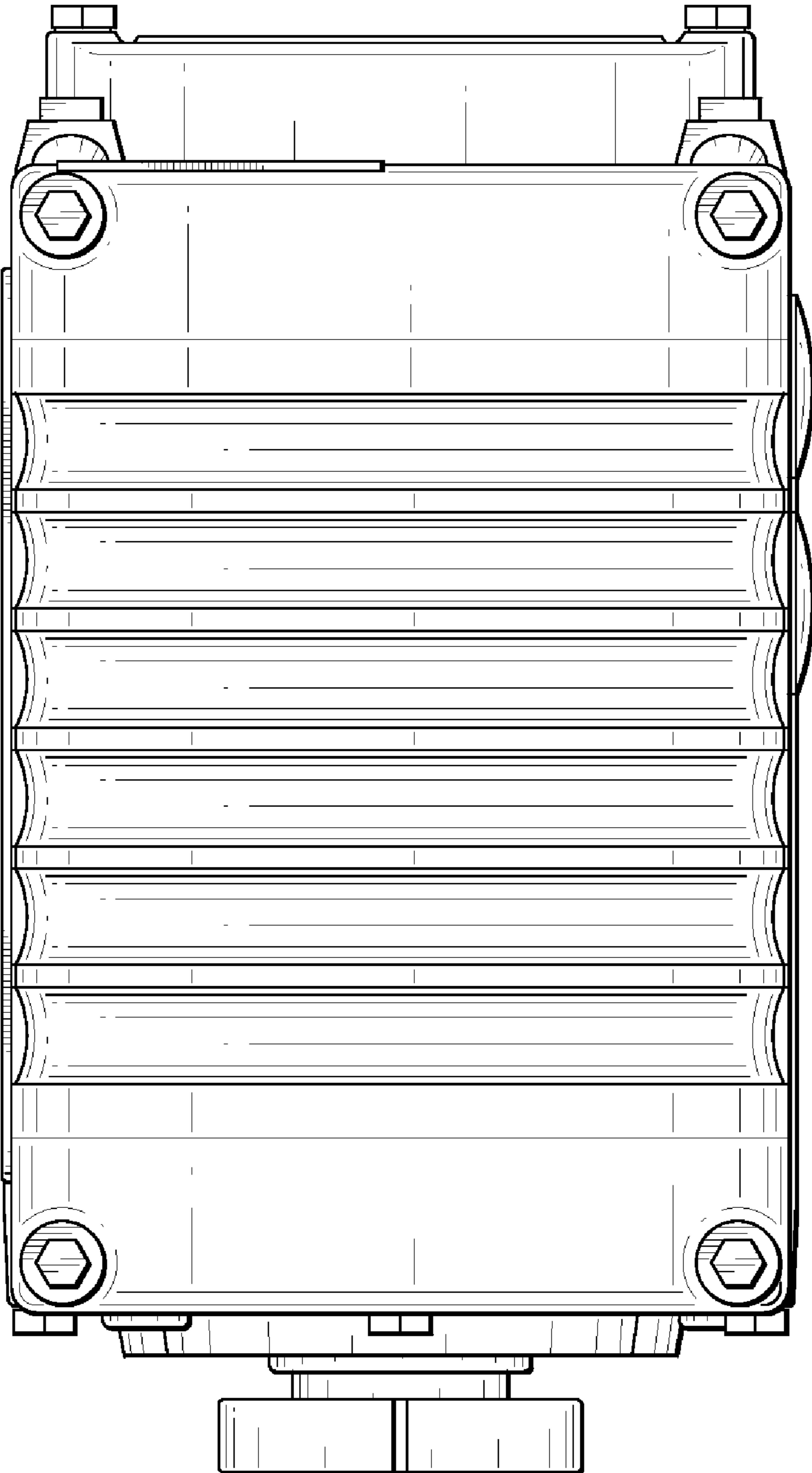


FIG. 6

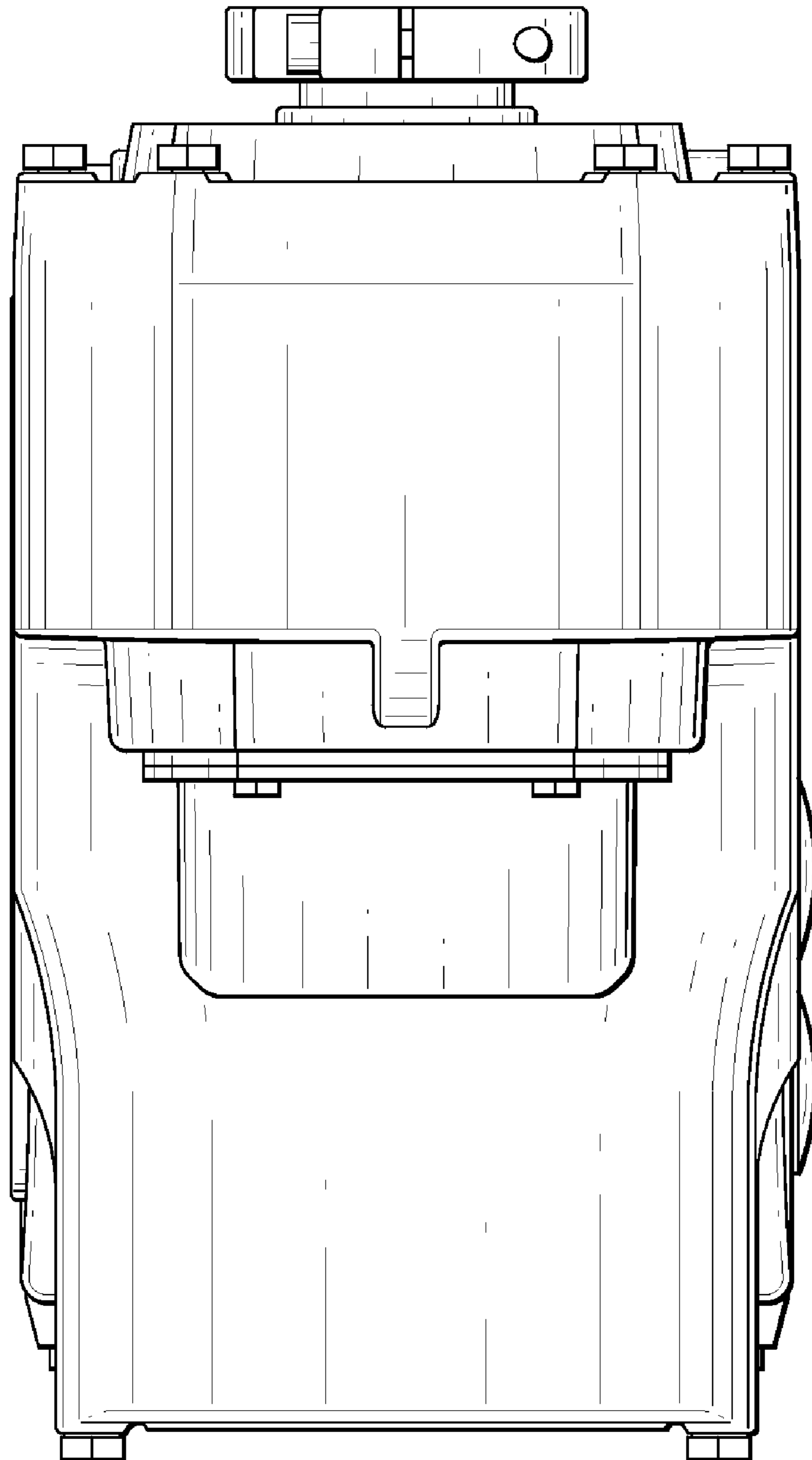


FIG. 7