



US00D627294S

(12) **United States Design Patent**
Cowles

(10) **Patent No.:** **US D627,294 S**

(45) **Date of Patent:** **** Nov. 16, 2010**

(54) **TIRE VALVE STEM CAP**

6,612,329 B2 * 9/2003 Wright 137/232

(76) Inventor: **Andrew D. Cowles**, 13004 N. 161 E.
Ave., Collinsville, OK (US) 74021

* cited by examiner

Primary Examiner—Stacia Cadmus

(**) Term: **14 Years**

(74) *Attorney, Agent, or Firm*—Fellers, Snider, Blankenship,
Bailey & Tippens, P.C.; Dennis D. Brown

(21) Appl. No.: **29/355,137**

(57) **CLAIM**

(22) Filed: **Feb. 3, 2010**

The ornamental design for a tire valve stem cap, as shown and described.

(51) **LOC (9) Cl.** **12-15**

(52) **U.S. Cl.** **D12/607**

(58) **Field of Classification Search** D12/606–607;
D8/310; D9/300, 450, 445–446, 453; 152/427–429,
152/DIG. 7; 280/159, 847; D23/260; 74/558.5;
137/232; 139/89.1–89.4

DESCRIPTION

See application file for complete search history.

FIG. 1 is a side view of a tire valve stem cap illustrating my new design.

FIG. 2 is a perspective view thereof.

FIG. 3 is an elevational side view thereof.

FIG. 4 is a top plan view thereof; and,

FIG. 5 is a bottom view thereof.

(56) **References Cited**

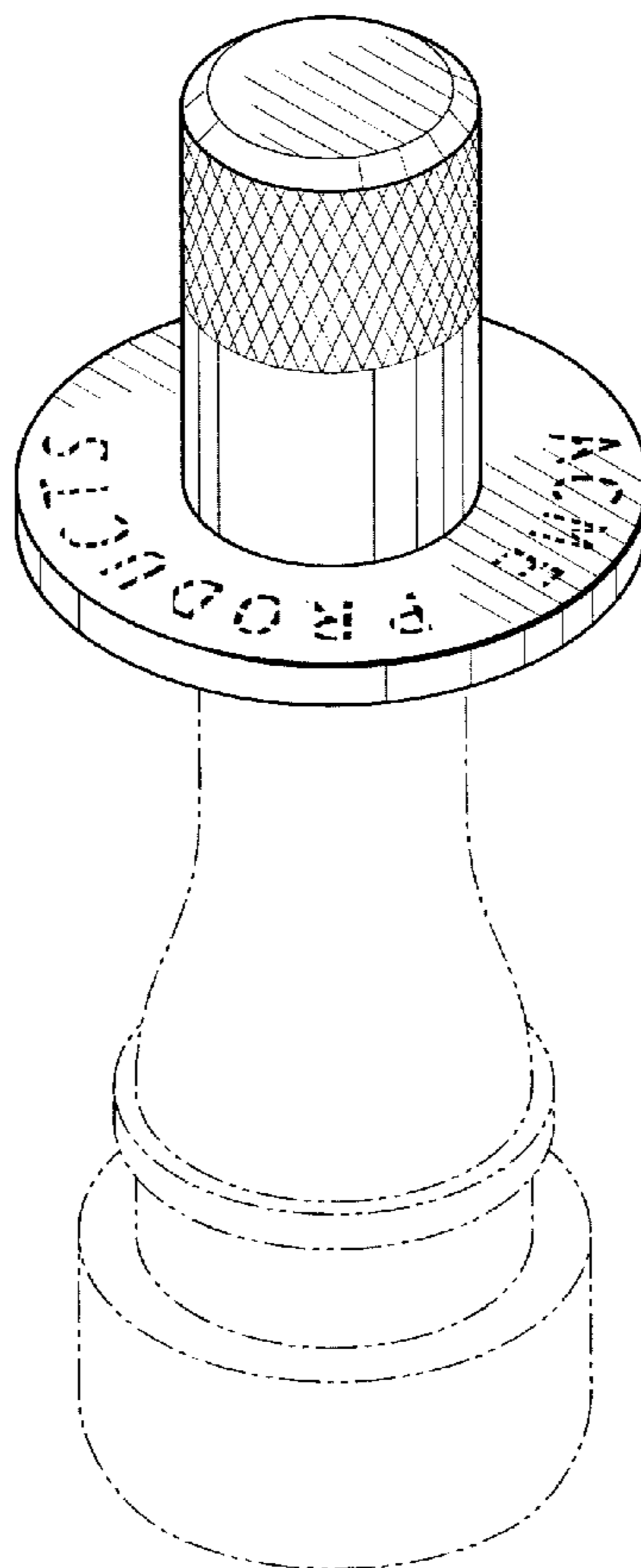
U.S. PATENT DOCUMENTS

D213,854 S *	4/1969	Williams	D12/607
D216,353 S *	12/1969	Nelson	D12/607
4,239,184 A *	12/1980	Dudar	137/232
D443,235 S *	6/2001	Hsu	D12/607
D445,737 S *	7/2001	Sheu	D12/607
D449,259 S *	10/2001	Sheu	D12/607
D449,805 S *	10/2001	Sheu	D12/607

The broken lines illustrating other structures or writing (e.g., “ACME PRODUCTS”) are included for the purpose of exemplifying environment and form no part of the claimed design.

The tire valve stem cap is shown on an enlarged scale in FIGS. 2-5.

1 Claim, 2 Drawing Sheets



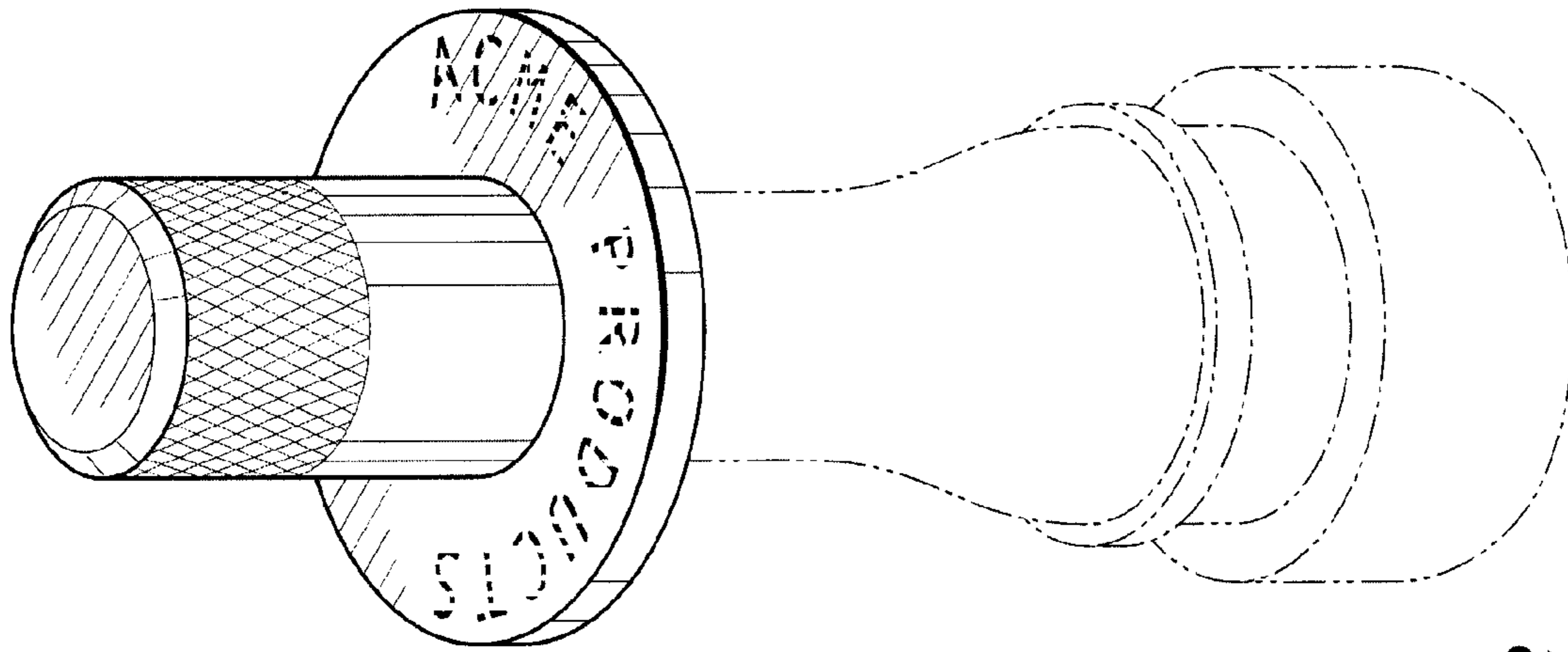


Fig. 2

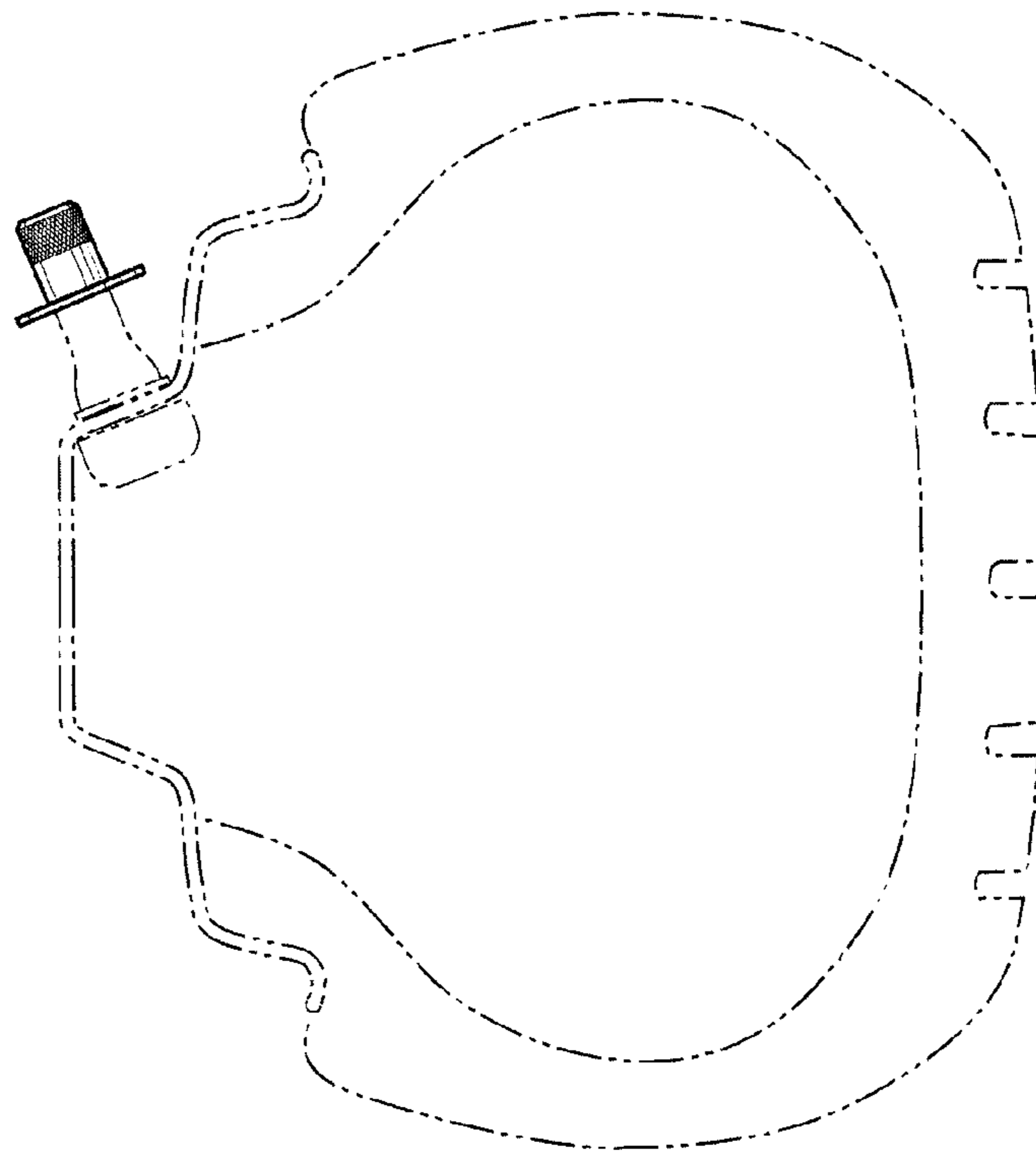


Fig. 1

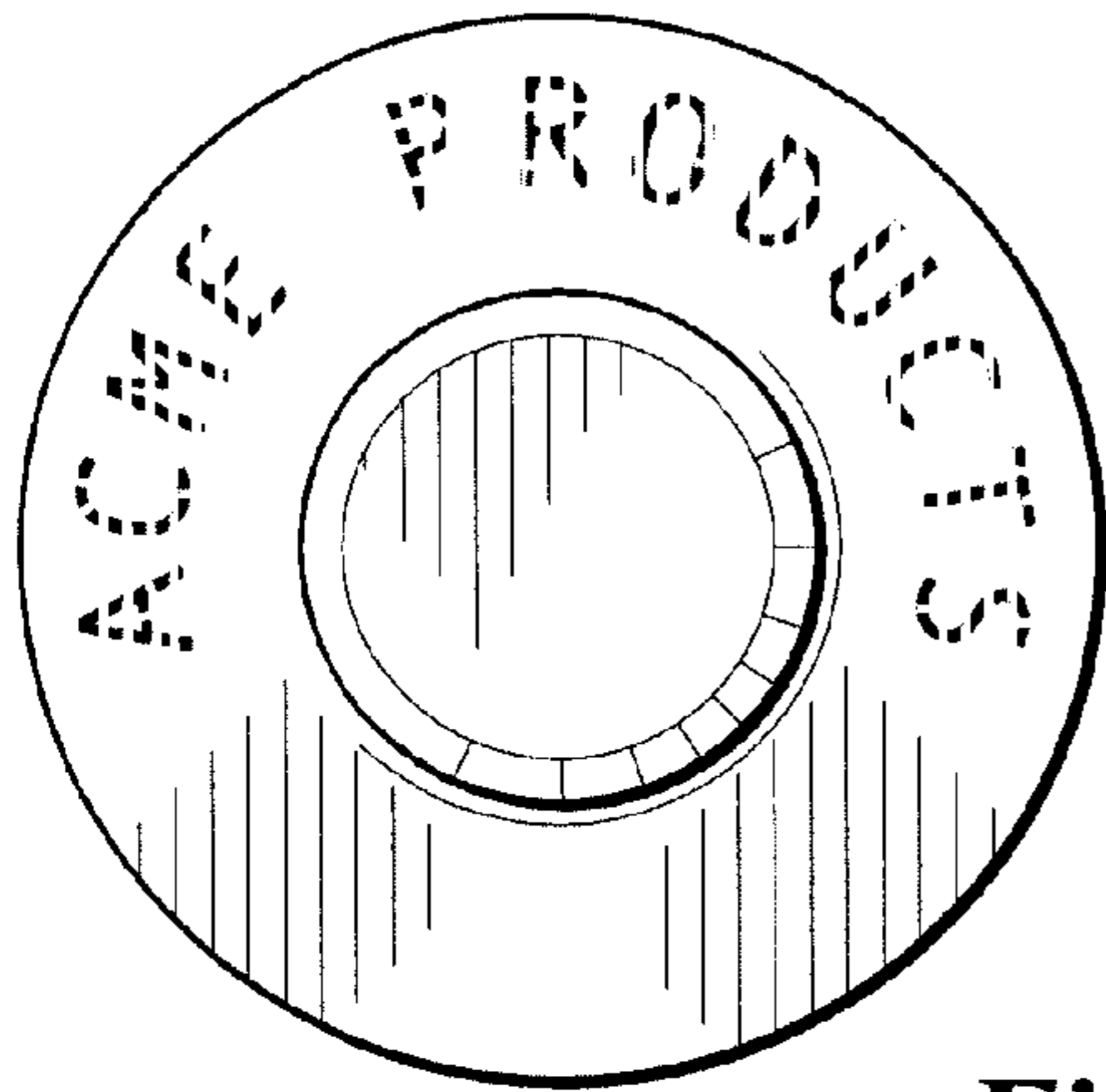


Fig. 4

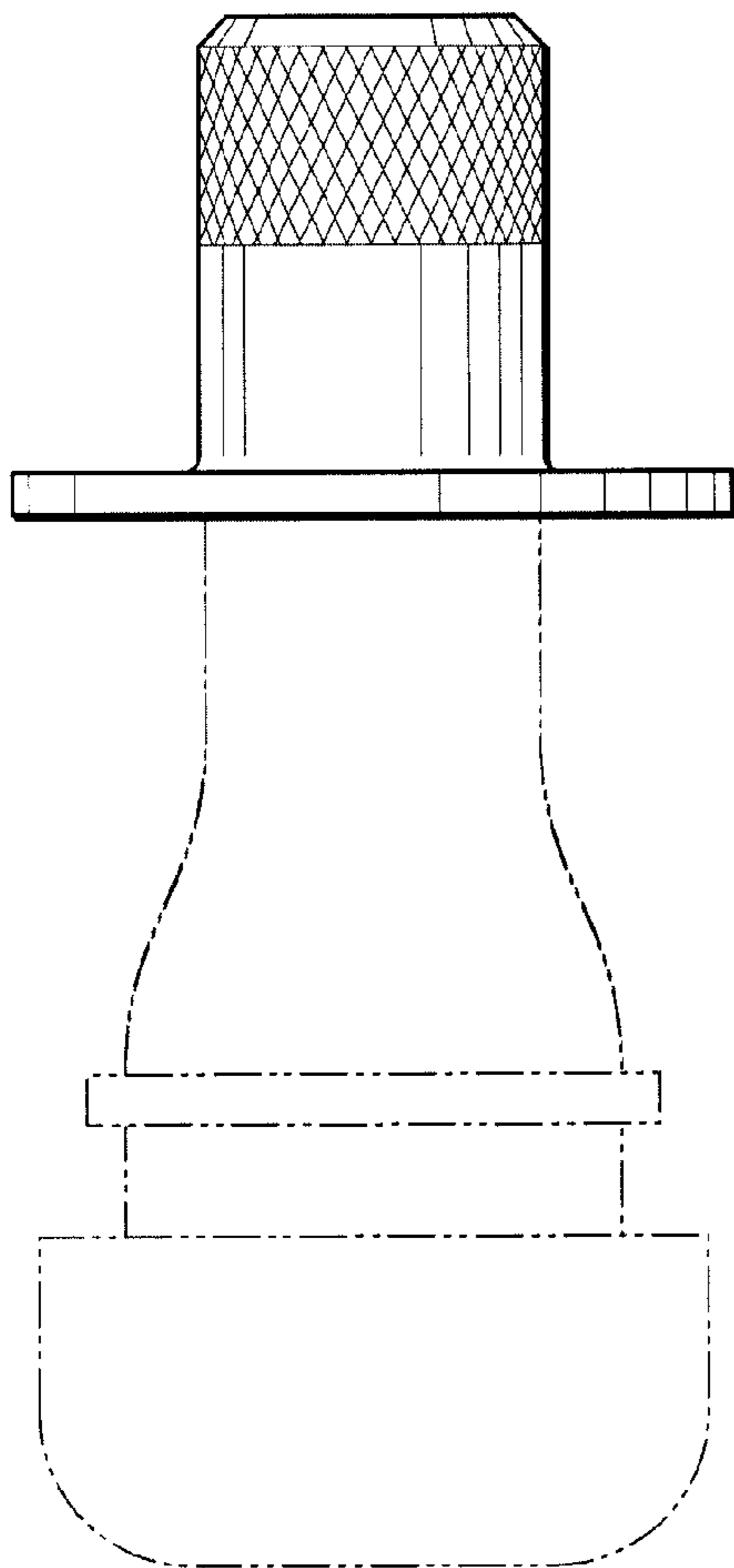


Fig. 3

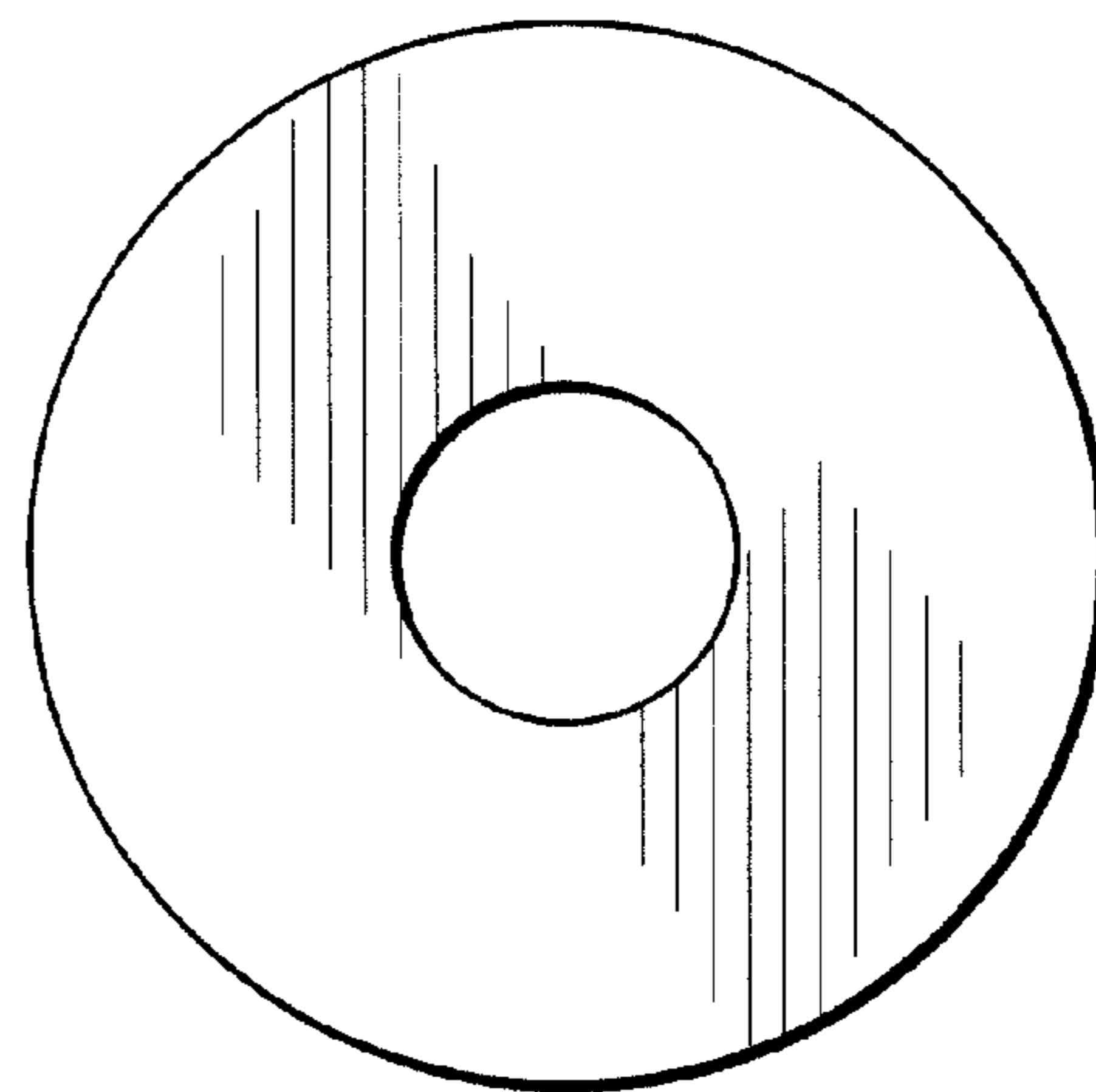


Fig. 5