



US00D627291S

(12) **United States Design Patent**  
**Lindsay, Jr.**

(10) **Patent No.:** **US D627,291 S**

(45) **Date of Patent:** **\*\* Nov. 16, 2010**

(54) **AUXILIARY CUP HOLDER FOR SEAT BACK**

(76) **Inventor:** **George R. Lindsay, Jr.**, 885 N. Easton Rd., 13A1, Glenside, PA (US) 19038

(\*\*) **Term:** **14 Years**

(21) **Appl. No.:** **29/355,816**

(22) **Filed:** **Feb. 15, 2010**

(51) **LOC (9) Cl.** ..... **12-16**

(52) **U.S. Cl.** ..... **D12/416; D12/419**

(58) **Field of Classification Search** ..... D12/416-420,  
D12/424, 425; D3/318; 224/275, 404; 296/36;  
22/539

See application file for complete search history.

(56) **References Cited**

**U.S. PATENT DOCUMENTS**

- 2,921,824 A \* 1/1960 Richter ..... 108/10
- 3,175,743 A \* 3/1965 Richard ..... 224/549
- 3,335,679 A \* 8/1967 Bown ..... 108/44
- 3,386,382 A \* 6/1968 Schuette et al. .... 417/412
- 3,986,649 A \* 10/1976 Heimstra ..... 224/567
- D247,327 S \* 2/1978 Tracy ..... D12/416
- 4,273,277 A \* 6/1981 Stone ..... 224/312
- D260,832 S \* 9/1981 Verdesca et al. .... D6/572
- 4,757,928 A 7/1988 Browne
- D298,884 S \* 12/1988 Rychlock ..... D12/420
- D305,632 S \* 1/1990 Kraklio ..... D12/400
- 5,170,903 A \* 12/1992 Fleming ..... 220/87.2
- D342,170 S \* 12/1993 Palmer ..... D12/425
- 5,325,991 A 7/1994 Williams
- 5,443,018 A 8/1995 Cromwell
- 5,678,741 A 10/1997 Schieber
- D393,242 S 4/1998 Wood
- D401,214 S 11/1998 Benavidez et al.

- D415,995 S \* 11/1999 Kanehl, Jr. .... D12/419
- 6,260,811 B1 7/2001 O'Neil
- D457,852 S \* 5/2002 Richter ..... D12/417
- 6,457,772 B1 10/2002 Forston
- 6,502,900 B1 1/2003 Johnston
- D473,840 S \* 4/2003 Sauer ..... D12/416
- D474,733 S \* 5/2003 Webb ..... D12/419
- 6,607,088 B2 \* 8/2003 Cestrone ..... 220/23.86
- D485,801 S \* 1/2004 Smith ..... D12/415
- D534,480 S \* 1/2007 Fraser et al. .... D12/419
- D540,738 S \* 4/2007 Hatch ..... D12/415
- 7,377,411 B1 \* 5/2008 Stewart ..... 224/275
- D574,433 S \* 8/2008 Poma ..... D19/83
- D593,929 S \* 6/2009 Mickan ..... D12/416

\* cited by examiner

*Primary Examiner*—Caron Veynar

*Assistant Examiner*—Katrina A Kile

(74) *Attorney, Agent, or Firm*—Montgomery Patent and Design; Joseph T. Yaksich; Robert C. Montgomery

(57) **CLAIM**

The ornamental design for an auxiliary cup holder for seat back, as shown.

**DESCRIPTION**

FIG. 1 is a perspective view of an auxiliary cup holder for seat back, showing my new design;

FIG. 2 is a front view thereof;

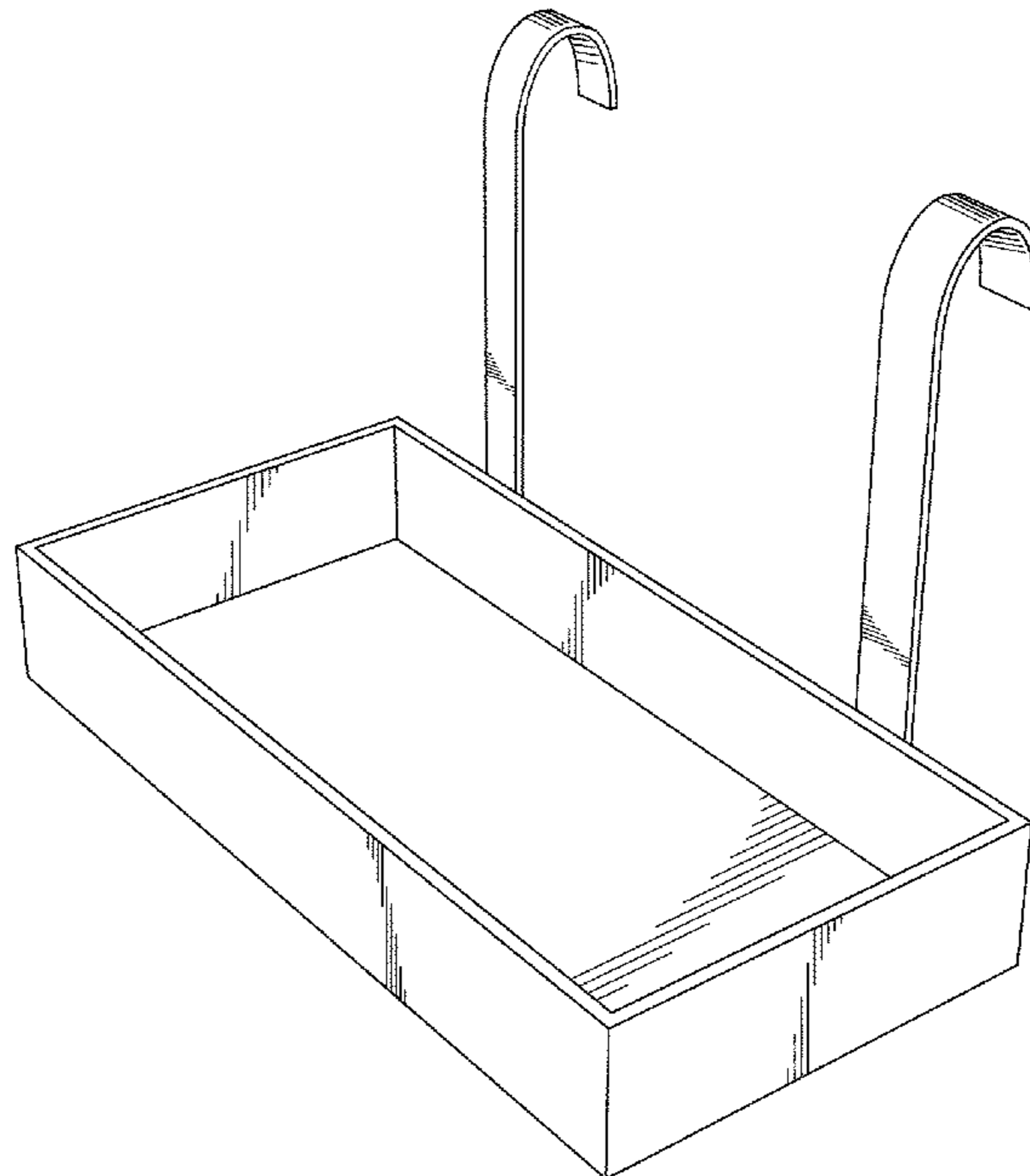
FIG. 3 is a rear view thereof;

FIG. 4 is a left side view thereof with a right side being the mirror image;

FIG. 5 is a top view thereof; and,

FIG. 6 is a bottom view thereof.

**1 Claim, 4 Drawing Sheets**



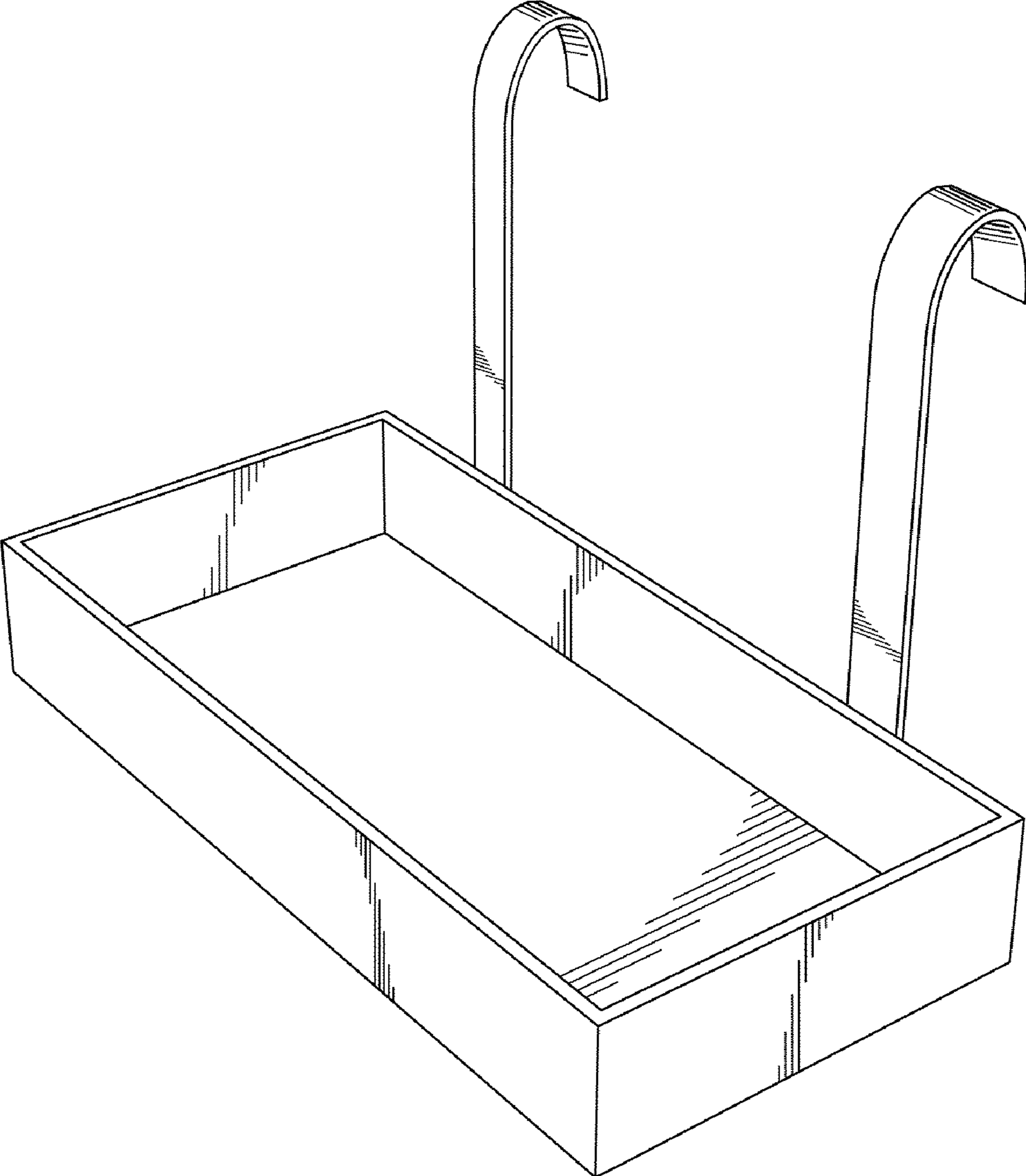


Fig. 1

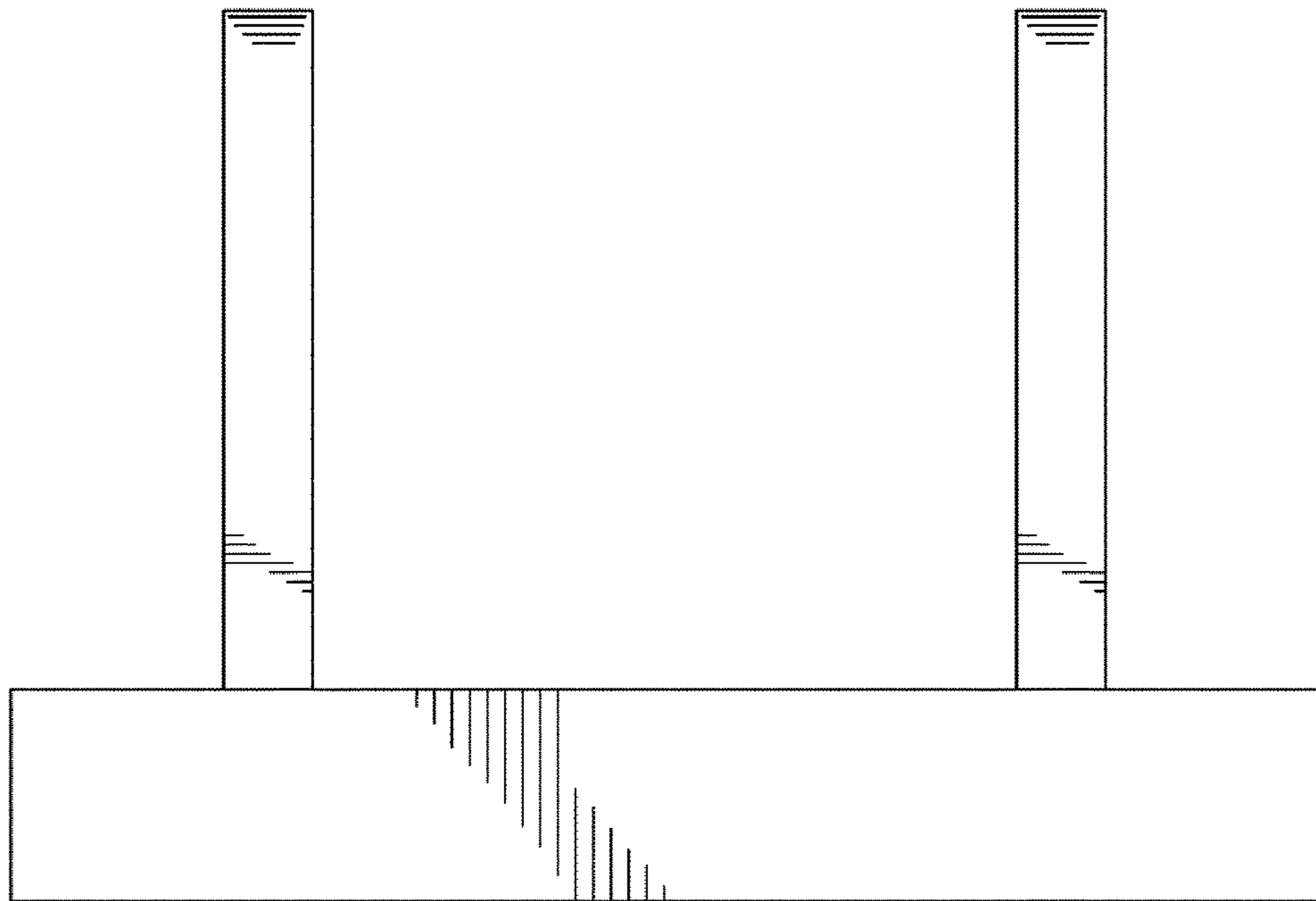


Fig. 2

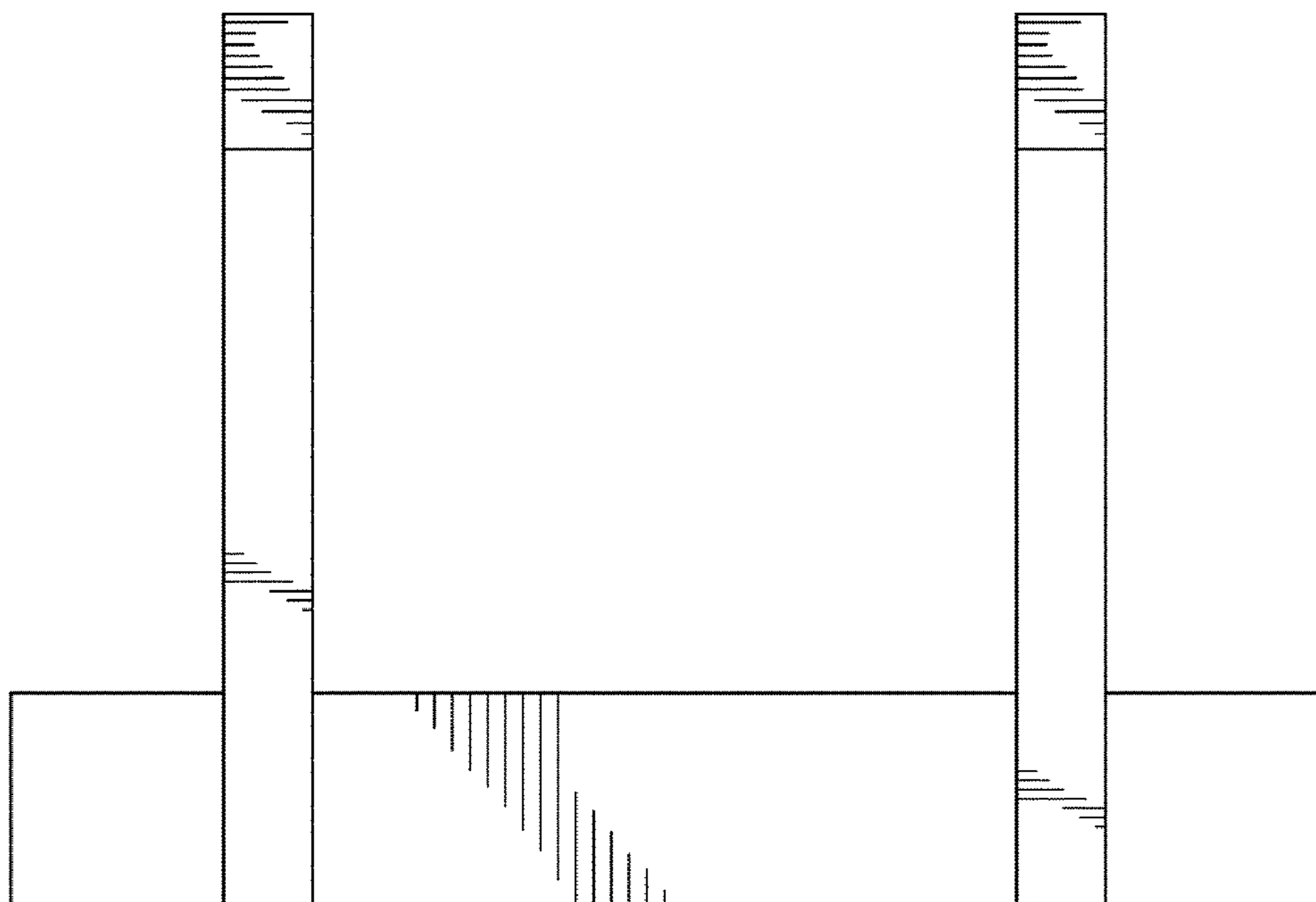


Fig. 3

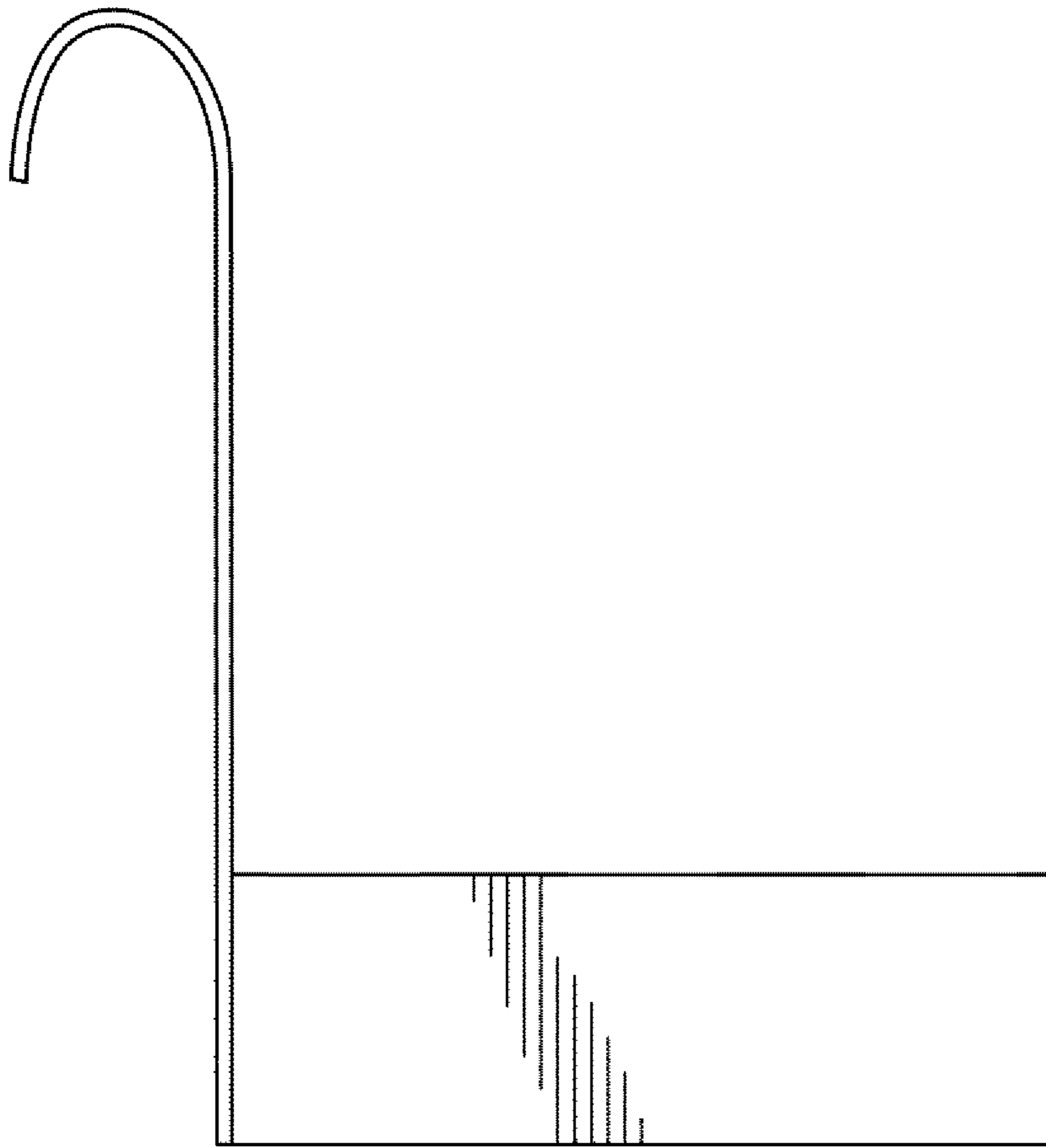


Fig. 4

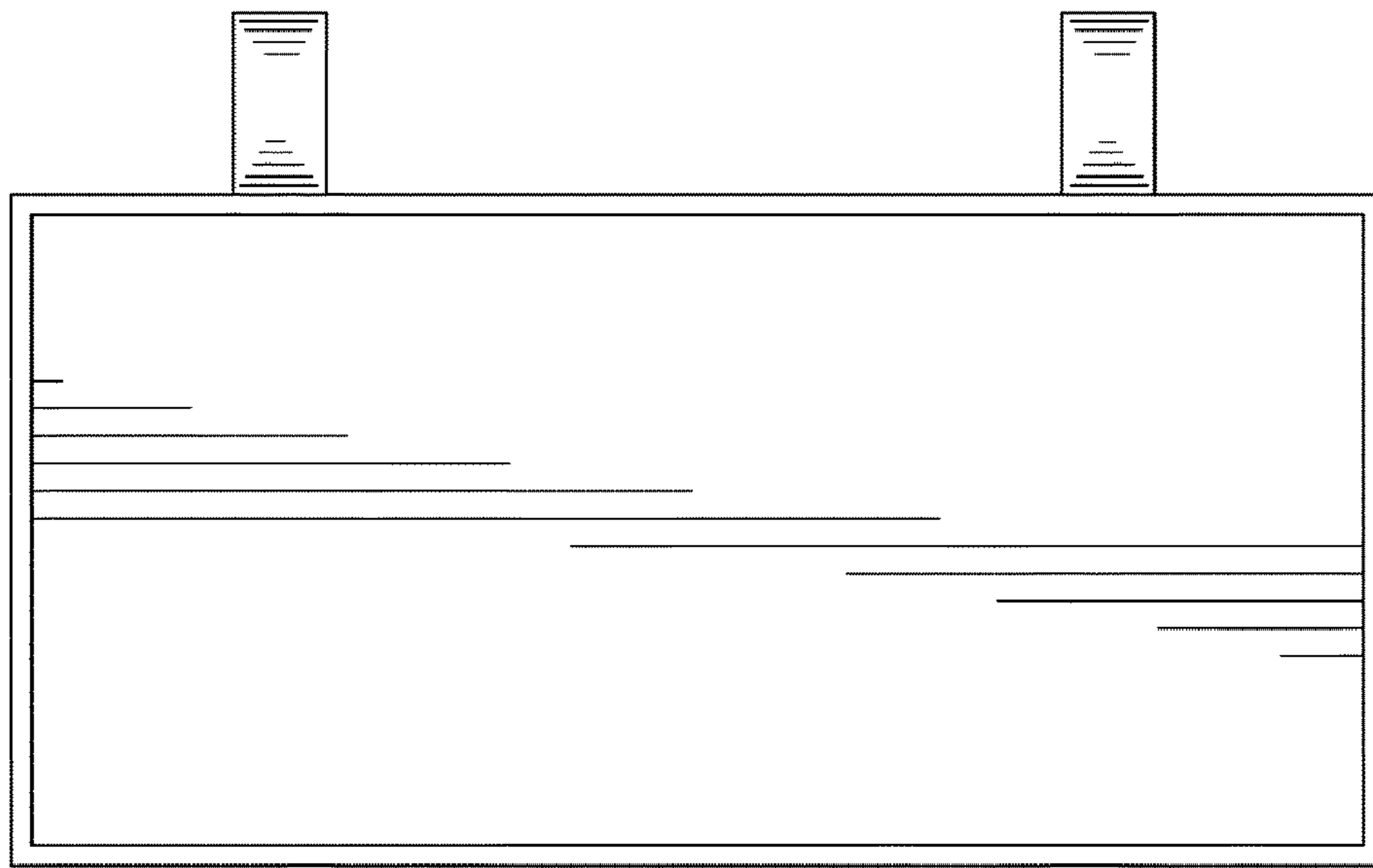


Fig. 5

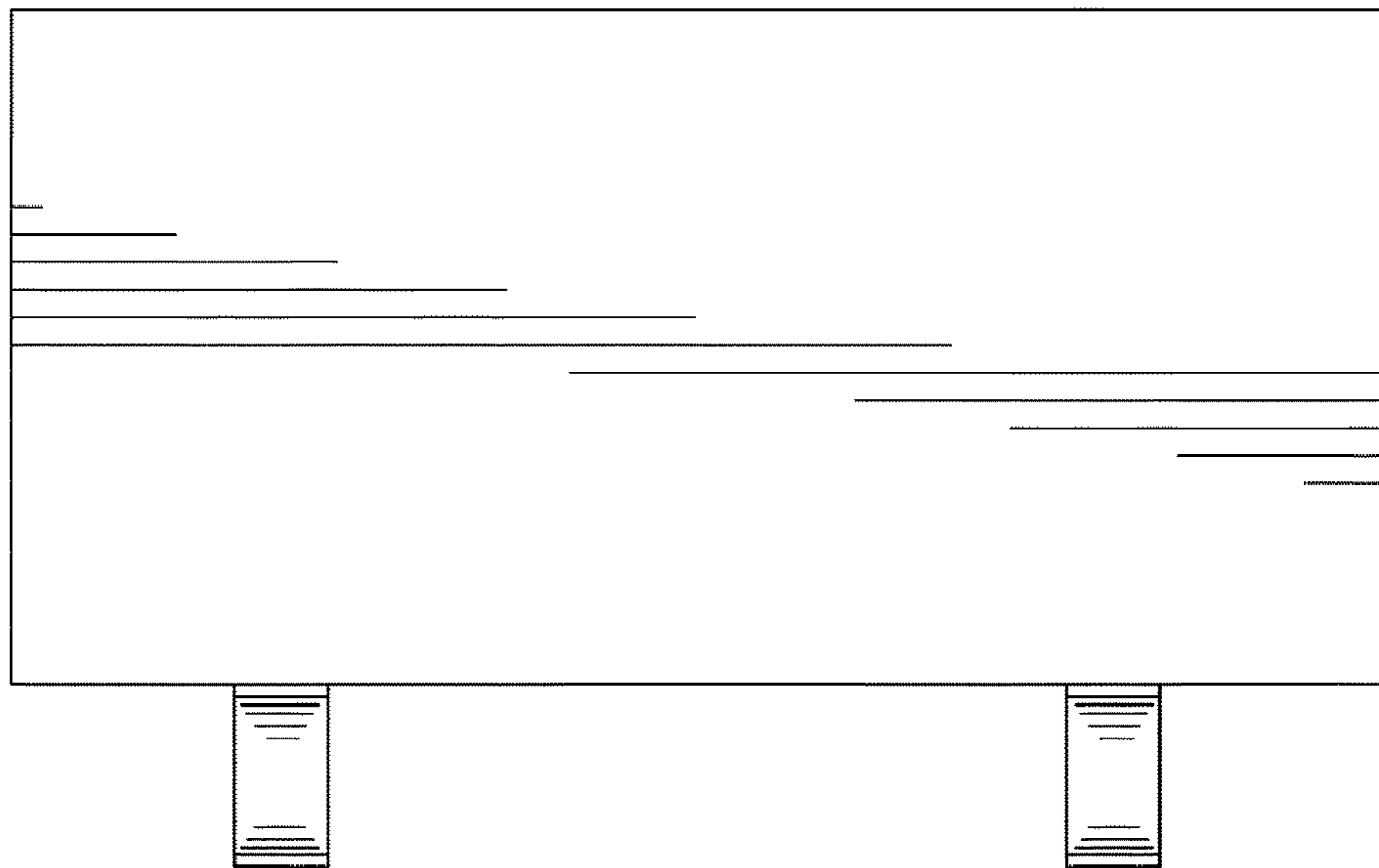


Fig. 6