



US00D627288S

(12) **United States Design Patent**  
**Lee**

(10) **Patent No.:** **US D627,288 S**  
(45) **Date of Patent:** **\*\* Nov. 16, 2010**

(54) **WINDSHIELD WIPER BRACKET**

D569,326 S \* 5/2008 Biosca-Munt et al. .... D12/220  
D569,327 S \* 5/2008 Lin ..... D12/220

(75) Inventor: **Albert Lee**, Baltimore, MD (US)

\* cited by examiner

(73) Assignee: **Alberee Products, Inc.**, Baltimore, MD (US)

*Primary Examiner*—Caron Veynar

*Assistant Examiner*—Katrina A Kile

(\*\*) Term: **14 Years**

(74) *Attorney, Agent, or Firm*—Birch, Stewart, Kolasch & Birch, LLP

(21) Appl. No.: **29/328,242**

(57) **CLAIM**

(22) Filed: **Nov. 20, 2008**

The ornamental design for a windshield wiper bracket, as shown and described.

(51) **LOC (9) Cl.** ..... **12-06**

(52) **U.S. Cl.** ..... **D12/220**

(58) **Field of Classification Search** ..... D12/219–220;  
15/246, 247, 250.001, 250.4, 250.361, 250.19,  
15/250.48, 250.03, 250.31–250.33, 250.351,  
15/250.38, 250.201, 250.451, 250.458, 250.04,  
15/250.07, 250.44

See application file for complete search history.

**DESCRIPTION**

FIG. 1 is a front, right perspective view of a windshield wiper bracket showing my new design;

FIG. 2 is a right side view thereof;

FIG. 3 is a left side view thereof;

FIG. 4 is a top plan view thereof;

FIG. 5 is a bottom plan view thereof;

FIG. 6 is a front view thereof; and,

FIG. 7 is a rear view thereof.

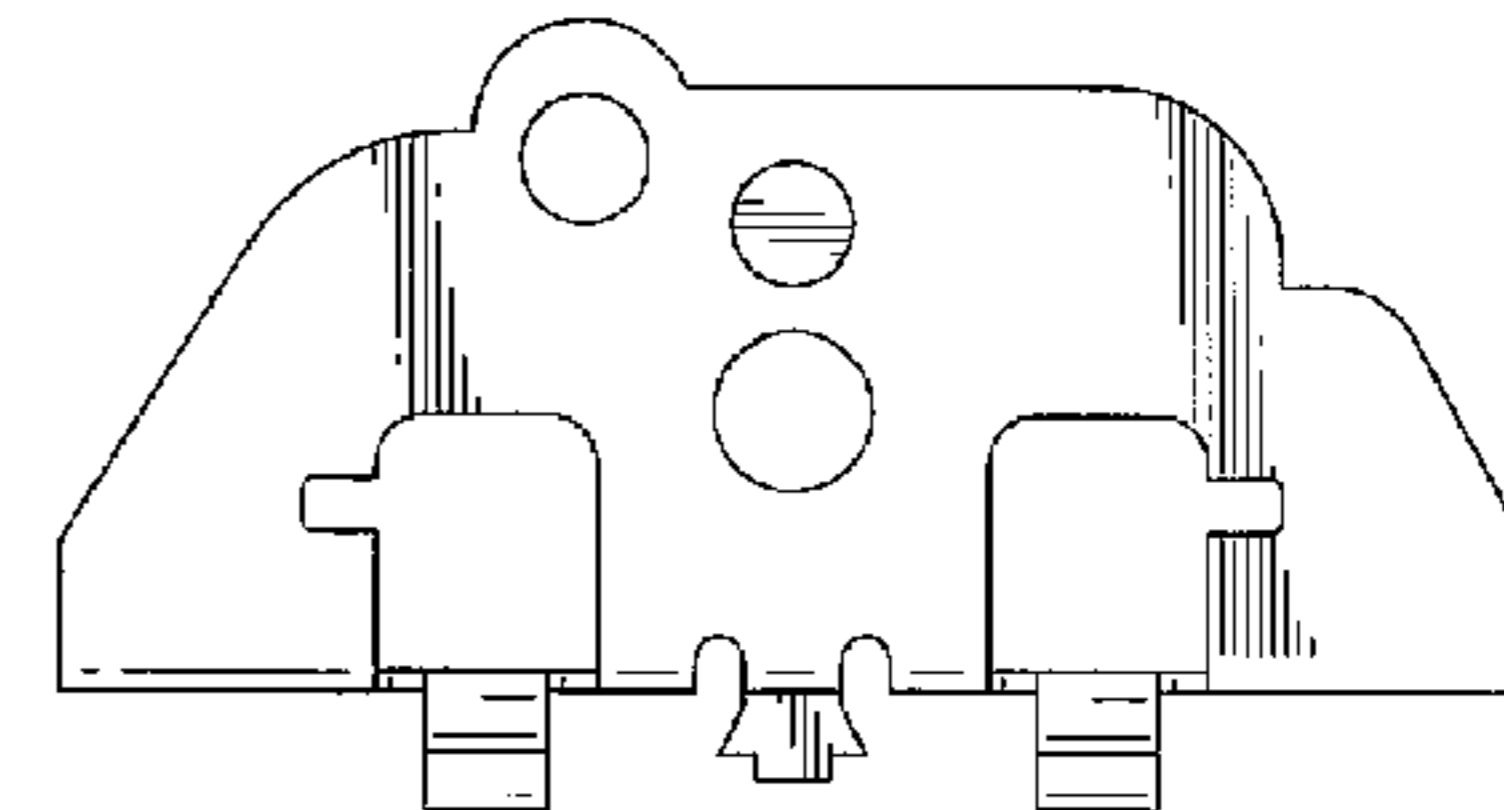
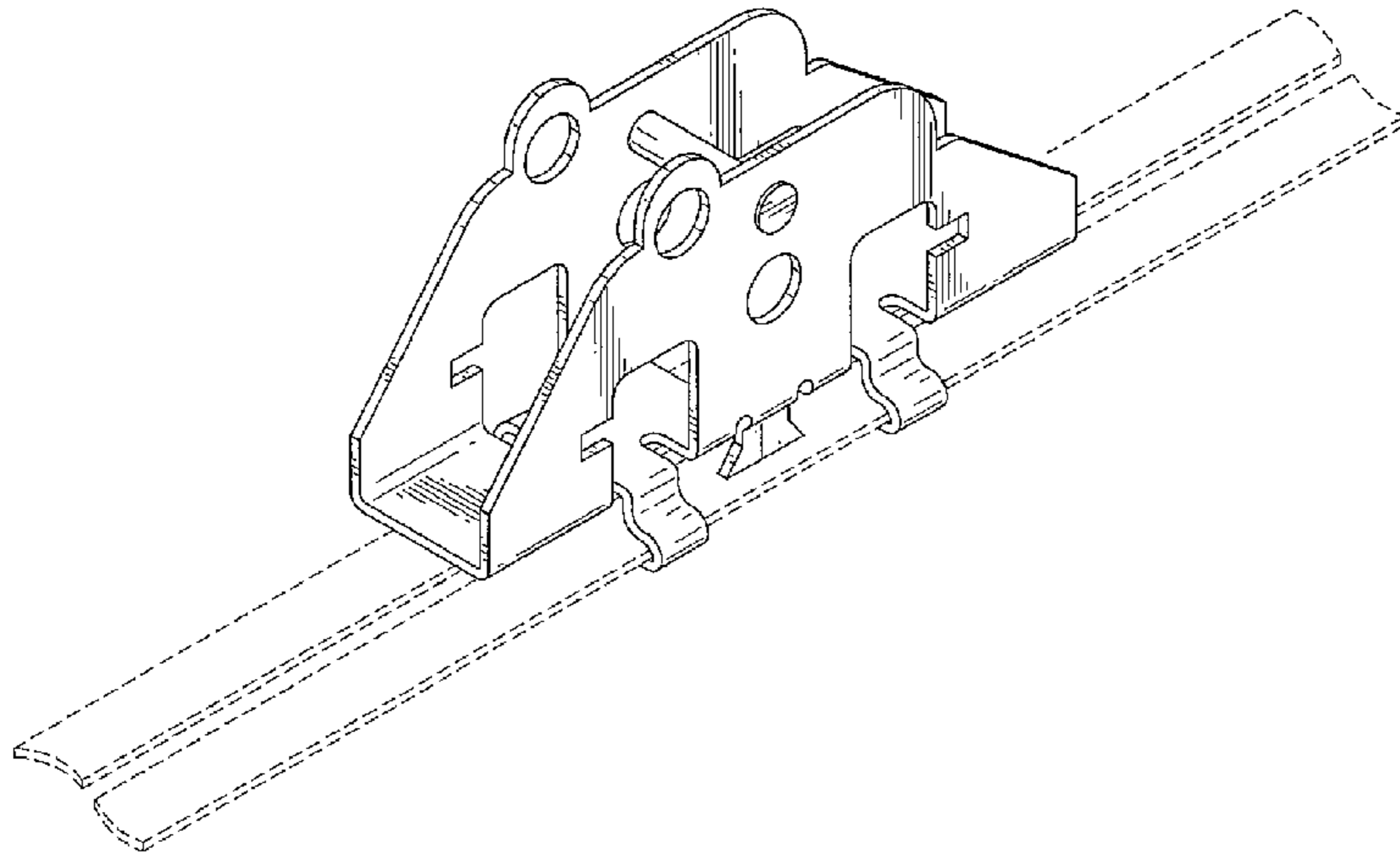
The dotted line structure forms no part of the invention.

(56) **References Cited**

U.S. PATENT DOCUMENTS

5,885,023	A	*	3/1999	Witek et al.	.....	403/321
D478,308	S	*	8/2003	Lee	.....	D12/220
D556,118	S	*	11/2007	Claes	.....	D12/220
D564,434	S	*	3/2008	Claes	.....	D12/220
D564,955	S	*	3/2008	Claes	.....	D12/220

**1 Claim, 4 Drawing Sheets**



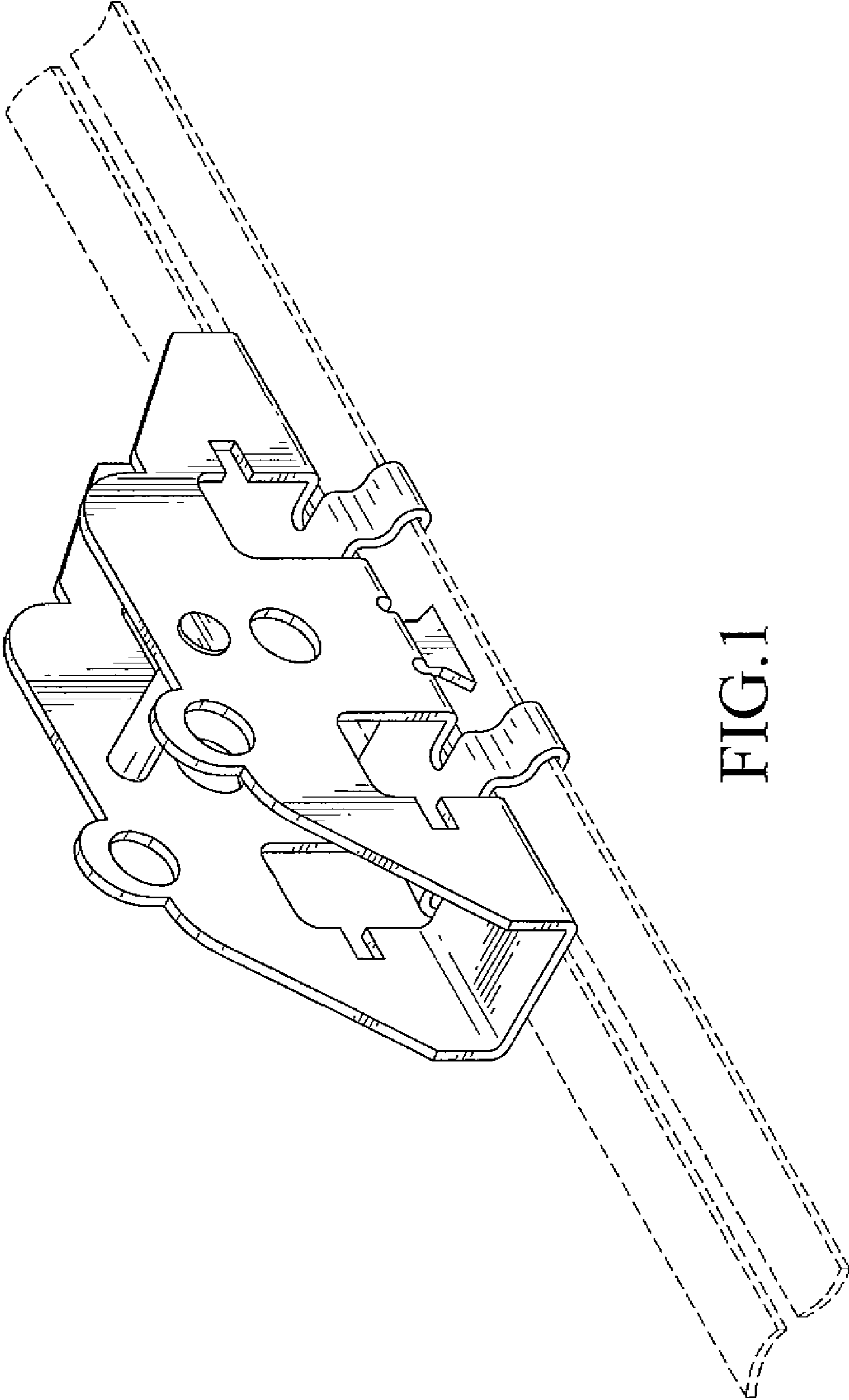


FIG. 1

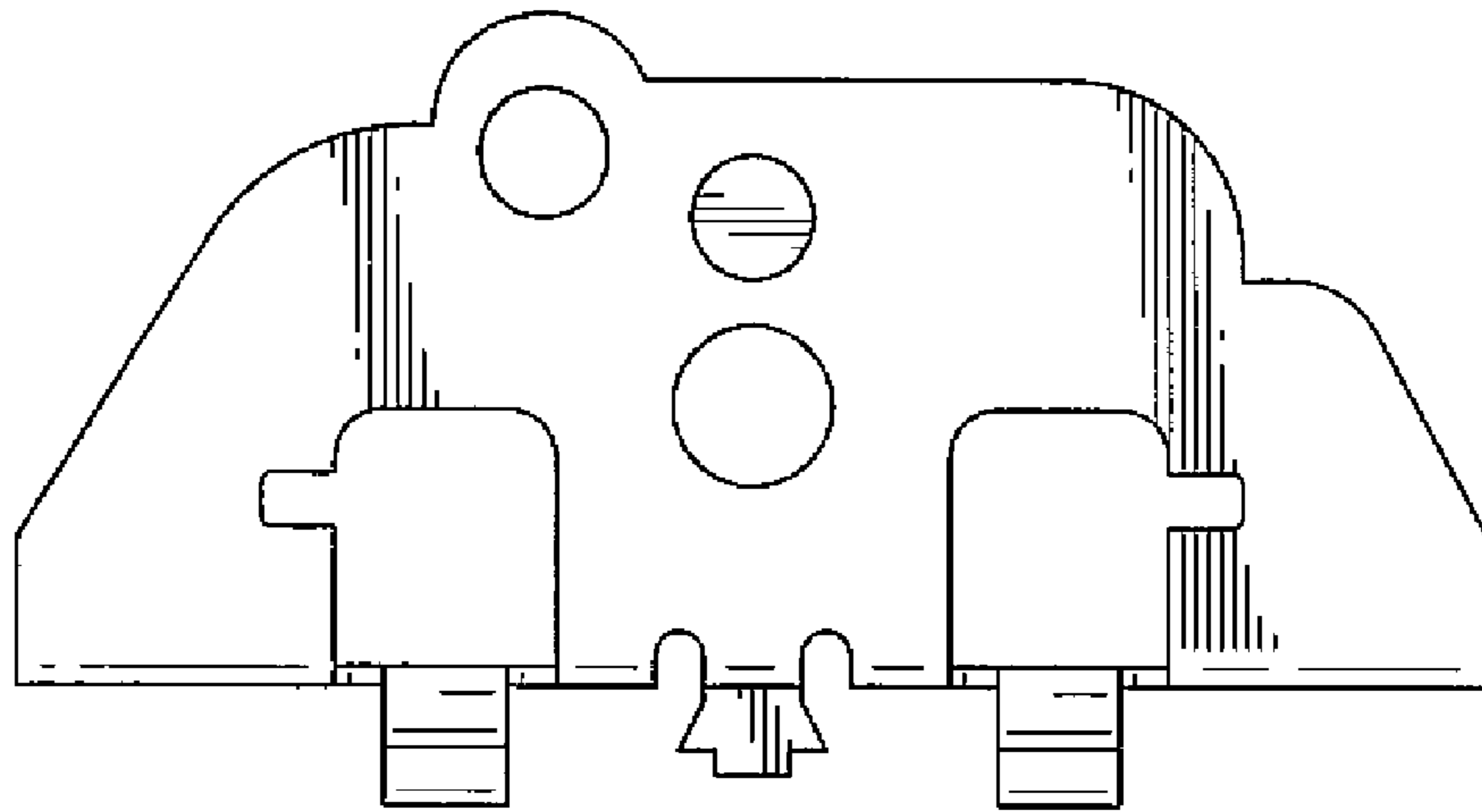


FIG. 2

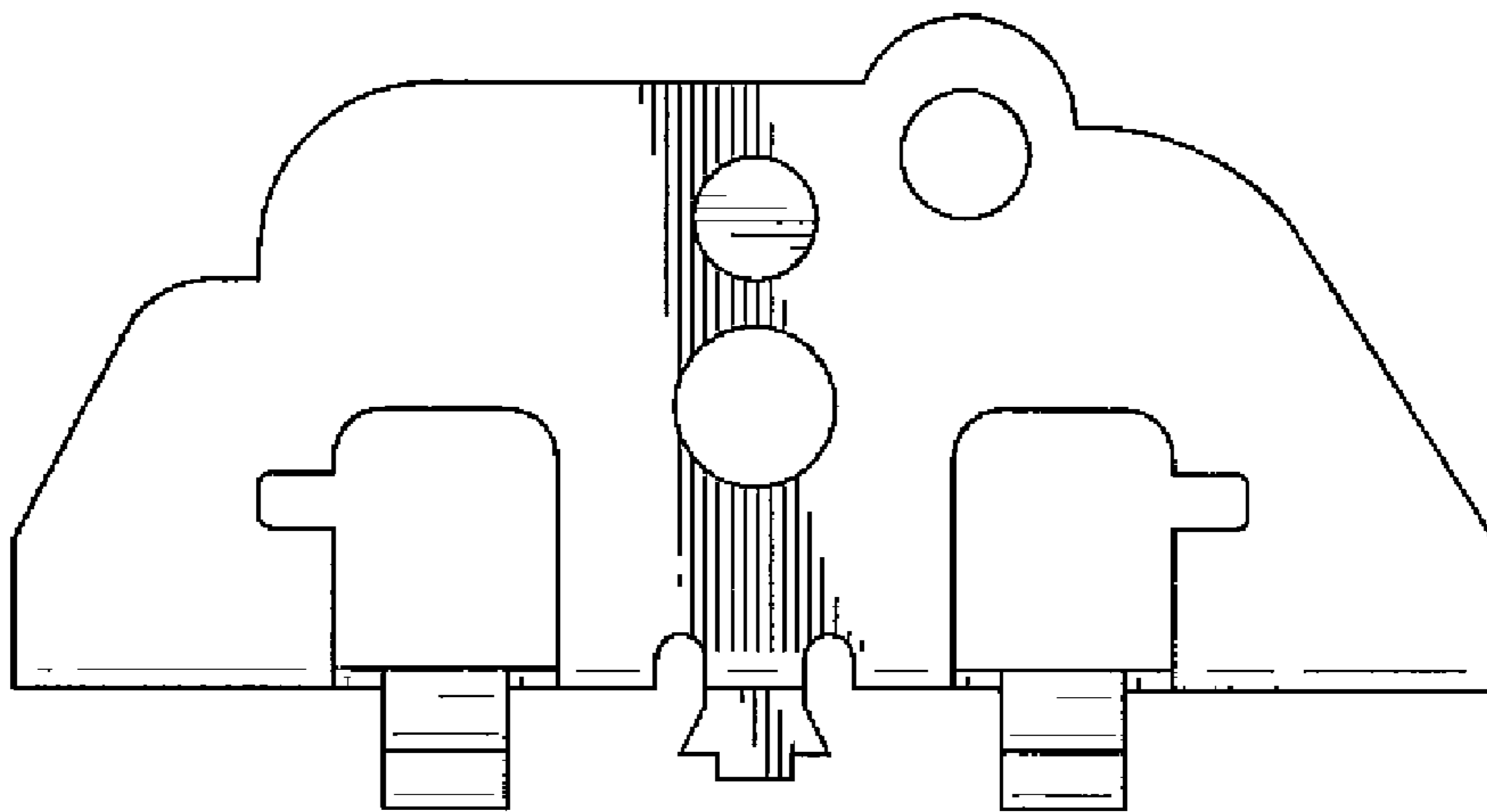


FIG. 3

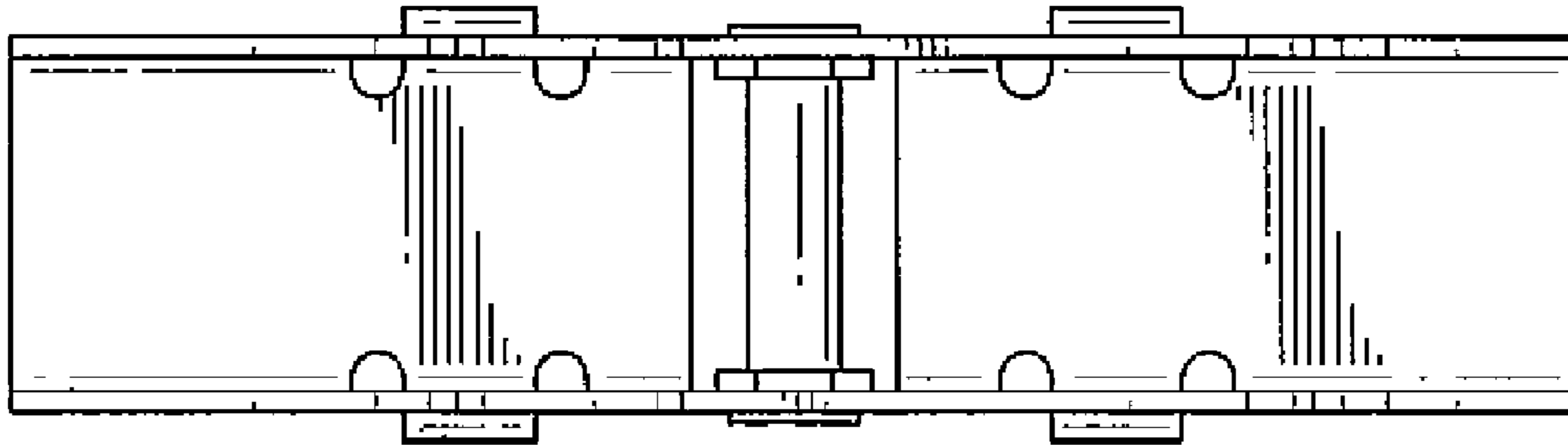


FIG. 4

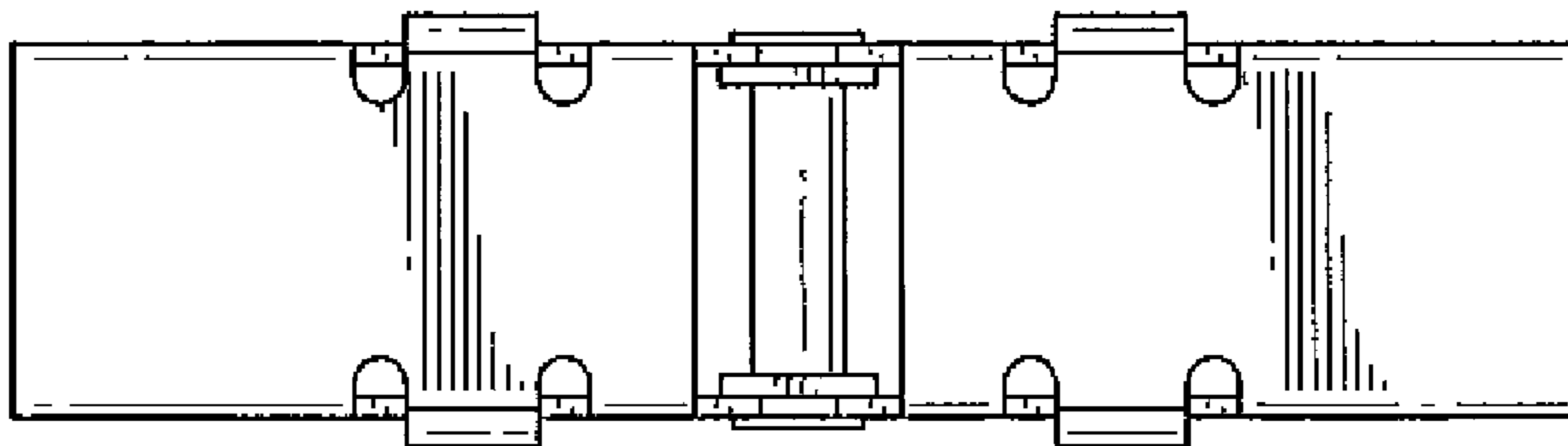


FIG. 5

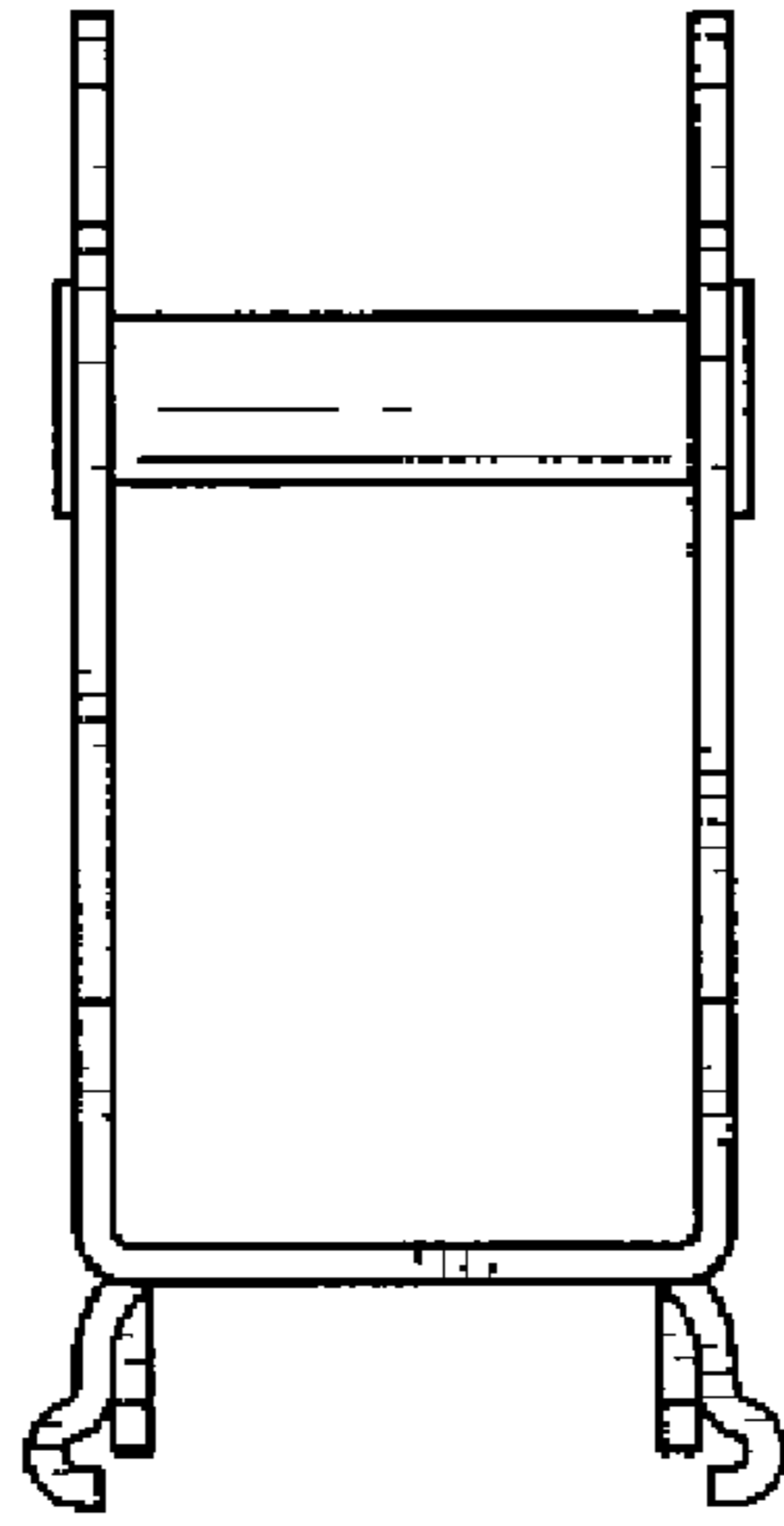


FIG. 6

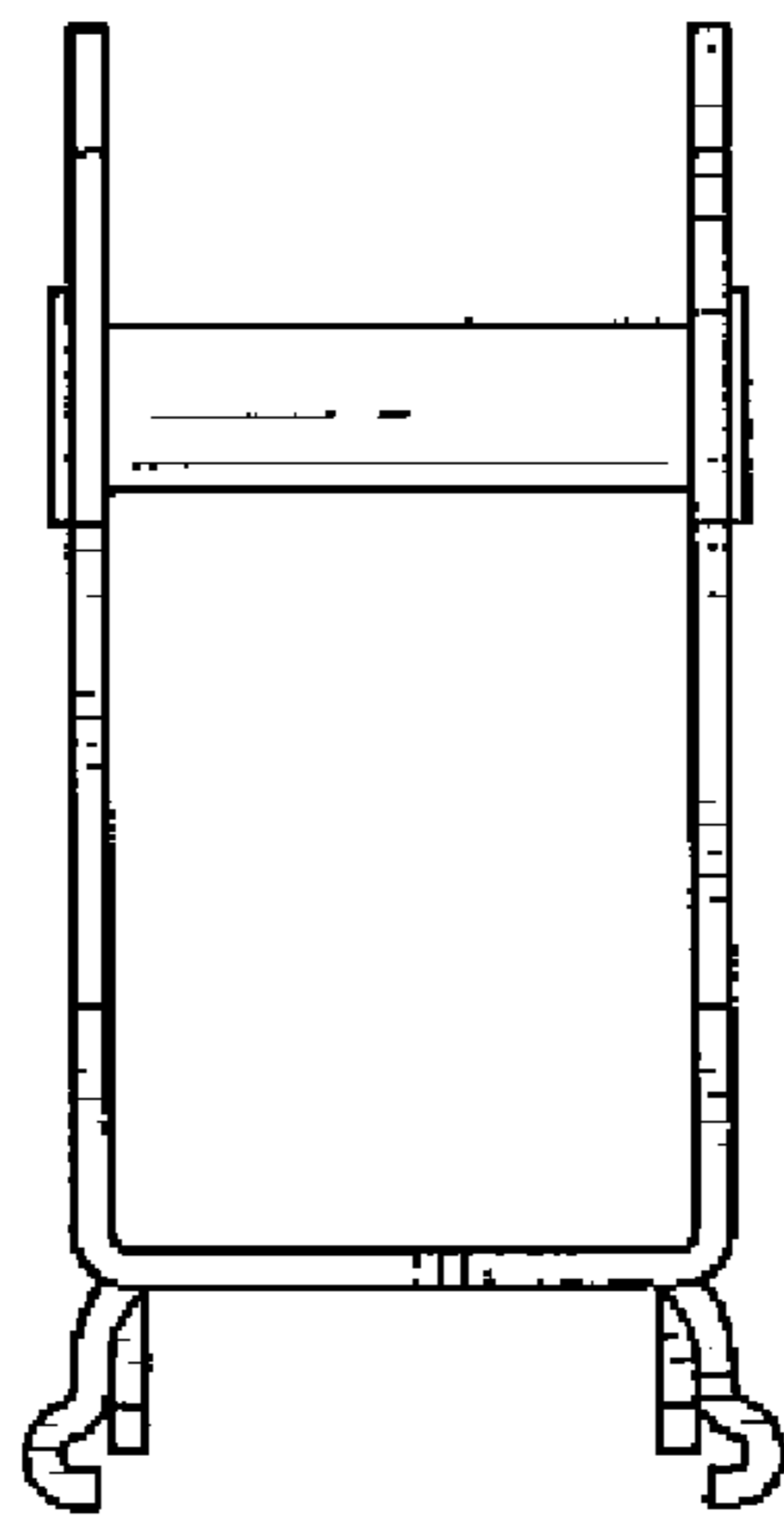


FIG. 7