



US00D627287S

(12) **United States Design Patent**  
**Gallert**

(10) **Patent No.:** **US D627,287 S**  
(45) **Date of Patent:** **\*\* Nov. 16, 2010**

(54) **AUTOMOBILE WHEEL**

(75) Inventor: **Michael Gallert**, Stuttgart (DE)

(73) Assignee: **Dr. Ing. h.c. F. Porsche AG**, Stuttgart (DE)

(\*\*) Term: **14 Years**

(21) Appl. No.: **29/363,358**

(22) Filed: **Jun. 8, 2010**

**Related U.S. Application Data**

(63) Continuation of application No. 29/341,343, filed on Aug. 4, 2009, now abandoned.

(30) **Foreign Application Priority Data**

Feb. 28, 2009 (DE) ..... 40 2009 001 040

(51) **LOC (9) Cl.** ..... **12-16**

(52) **U.S. Cl.** ..... **D12/209**

(58) **Field of Classification Search** ..... D12/204-213;  
301/37.101, 64.101, 65, 64.201

See application file for complete search history.

(56) **References Cited**

**U.S. PATENT DOCUMENTS**

D421,417 S *	3/2000	Weidhase	.....	D12/209
D458,571 S *	6/2002	Maifrini	.....	D12/209
D466,853 S *	12/2002	Maifrini	.....	D12/211
D478,307 S *	8/2003	Maifrini	.....	D12/211
D481,663 S *	11/2003	Maifrini	.....	D12/211

D504,100 S *	4/2005	Pollmann	.....	D12/211
D513,487 S *	1/2006	Wachtler	.....	D12/209
D522,432 S *	6/2006	Pfeiffer	.....	D12/209
D522,949 S *	6/2006	Elmitt	.....	D12/211
D563,305 S *	3/2008	Schweizer	.....	D12/211
D580,841 S *	11/2008	Gallert	.....	D12/211
D582,331 S *	12/2008	Blasi	.....	D12/209
D590,314 S *	4/2009	Hettler	.....	D12/209
D609,623 S *	2/2010	Gallert	.....	D12/209
D615,018 S *	5/2010	Truebsbach	.....	D12/211

\* cited by examiner

*Primary Examiner*—Stacia Cadmus

(57) **CLAIM**

The ornamental design for an automobile wheel, as shown and described.

**DESCRIPTION**

FIG. 1 is a front elevational view of an automobile wheel, showing my new design;

FIG. 2 is a perspective view thereof;

FIG. 3 is a bottom, plan view thereof;

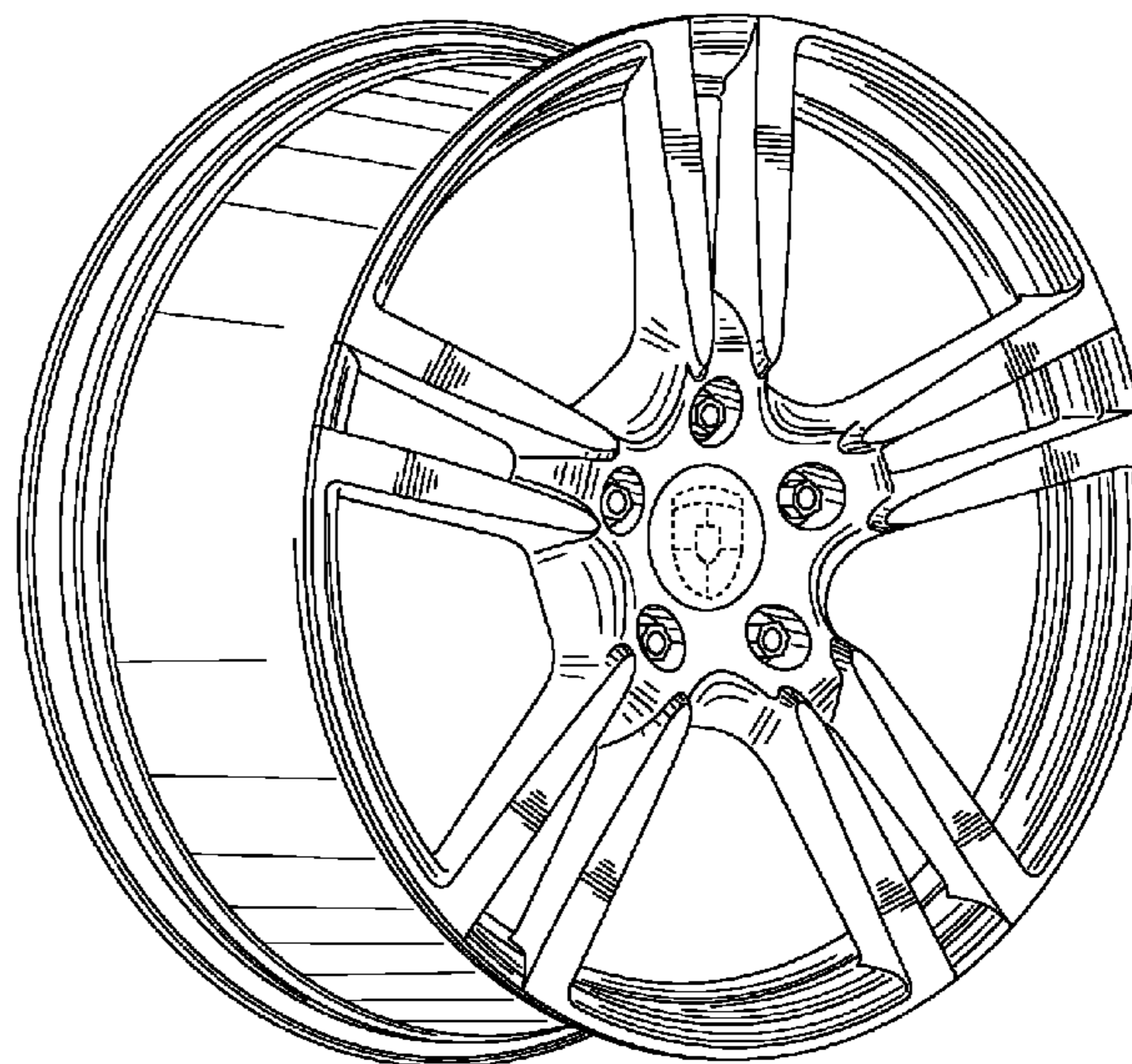
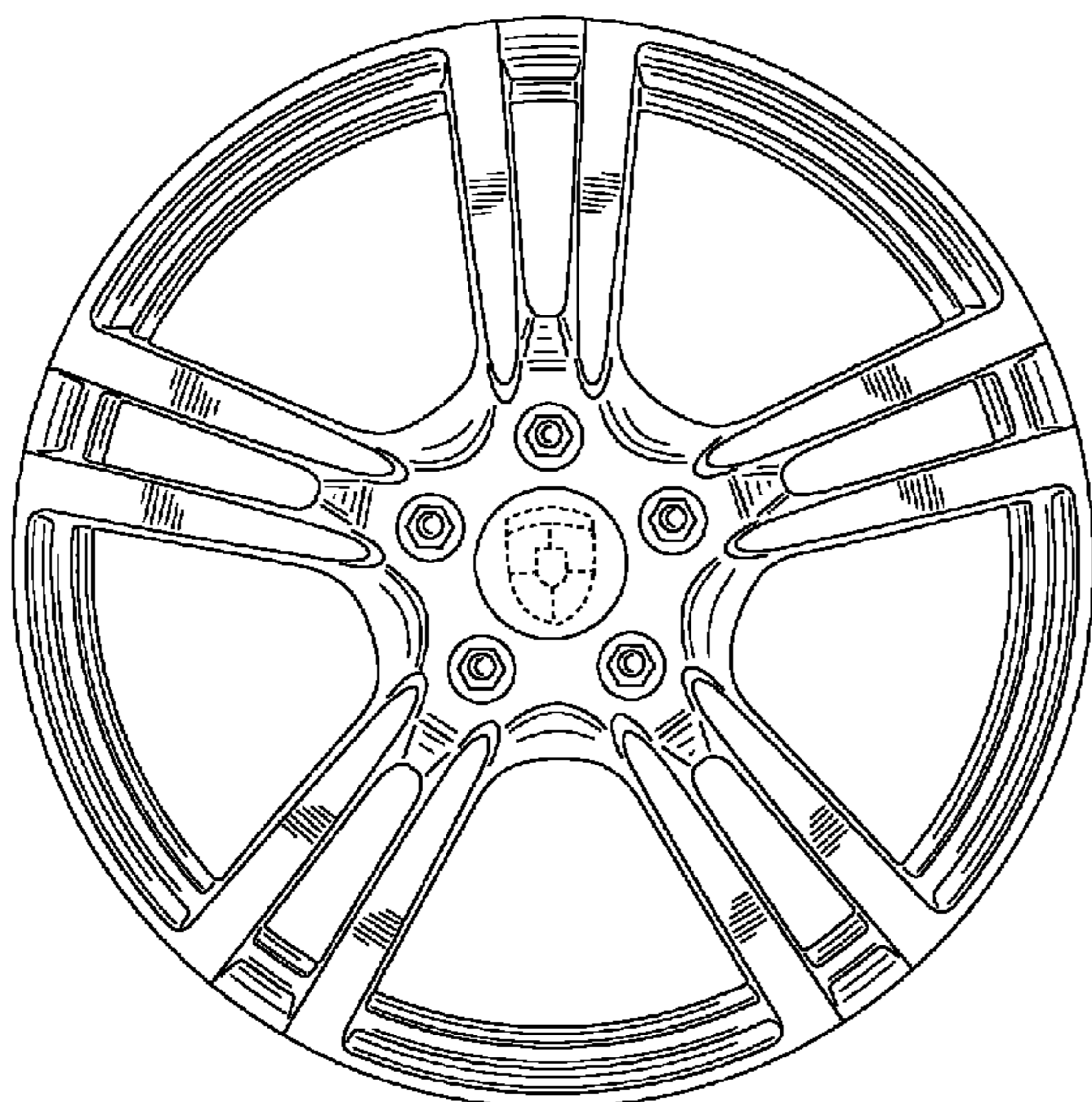
FIG. 4 is top, plan view thereof;

FIG. 5 is a left-side view thereof; and,

FIG. 6 is a right-side view thereof.

The broken line showing of the emblem in FIGS. 1 and 2 is included for the purpose of illustrating environment and forms no part of the claimed design.

**1 Claim, 4 Drawing Sheets**



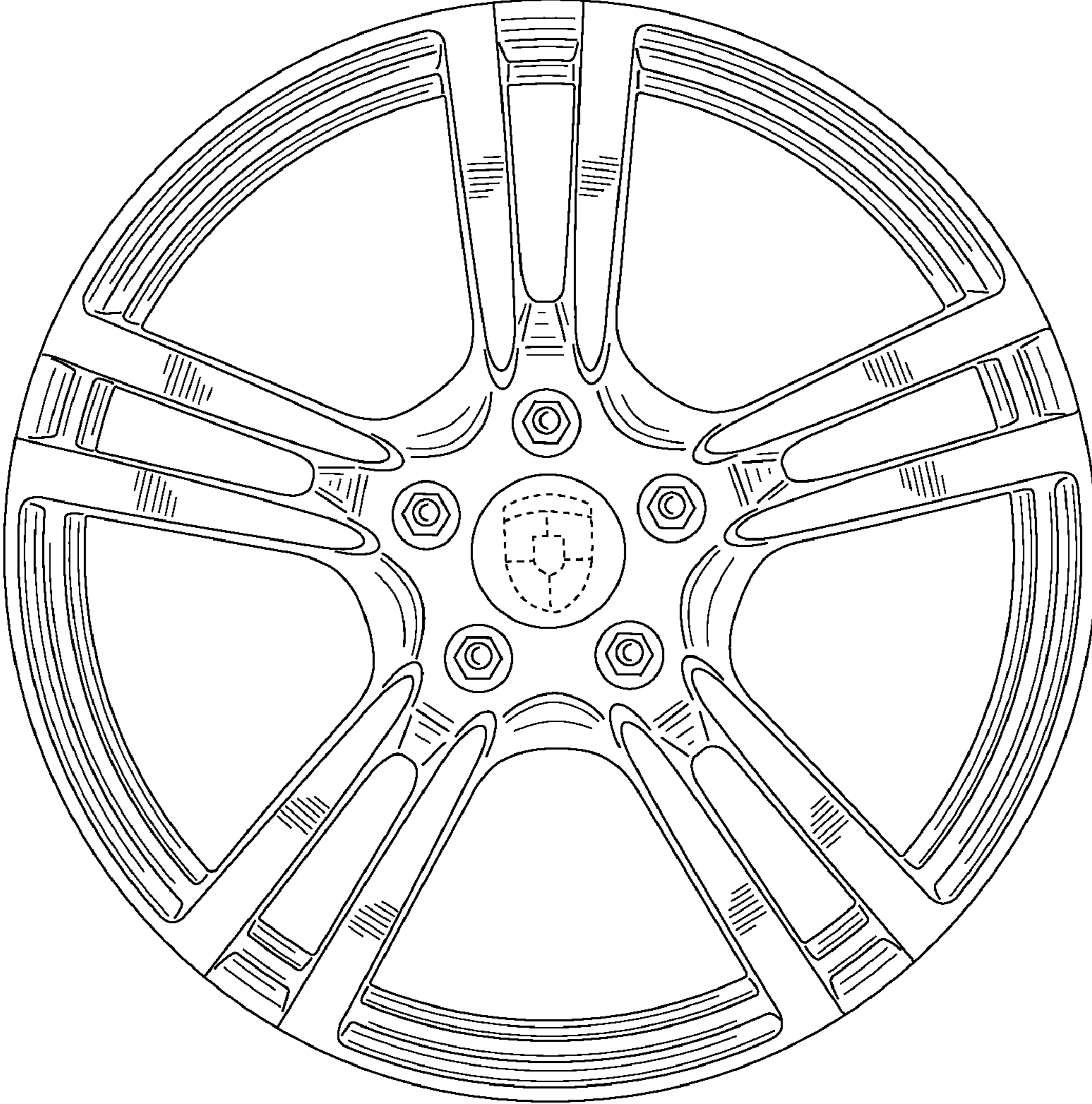


FIG. 1

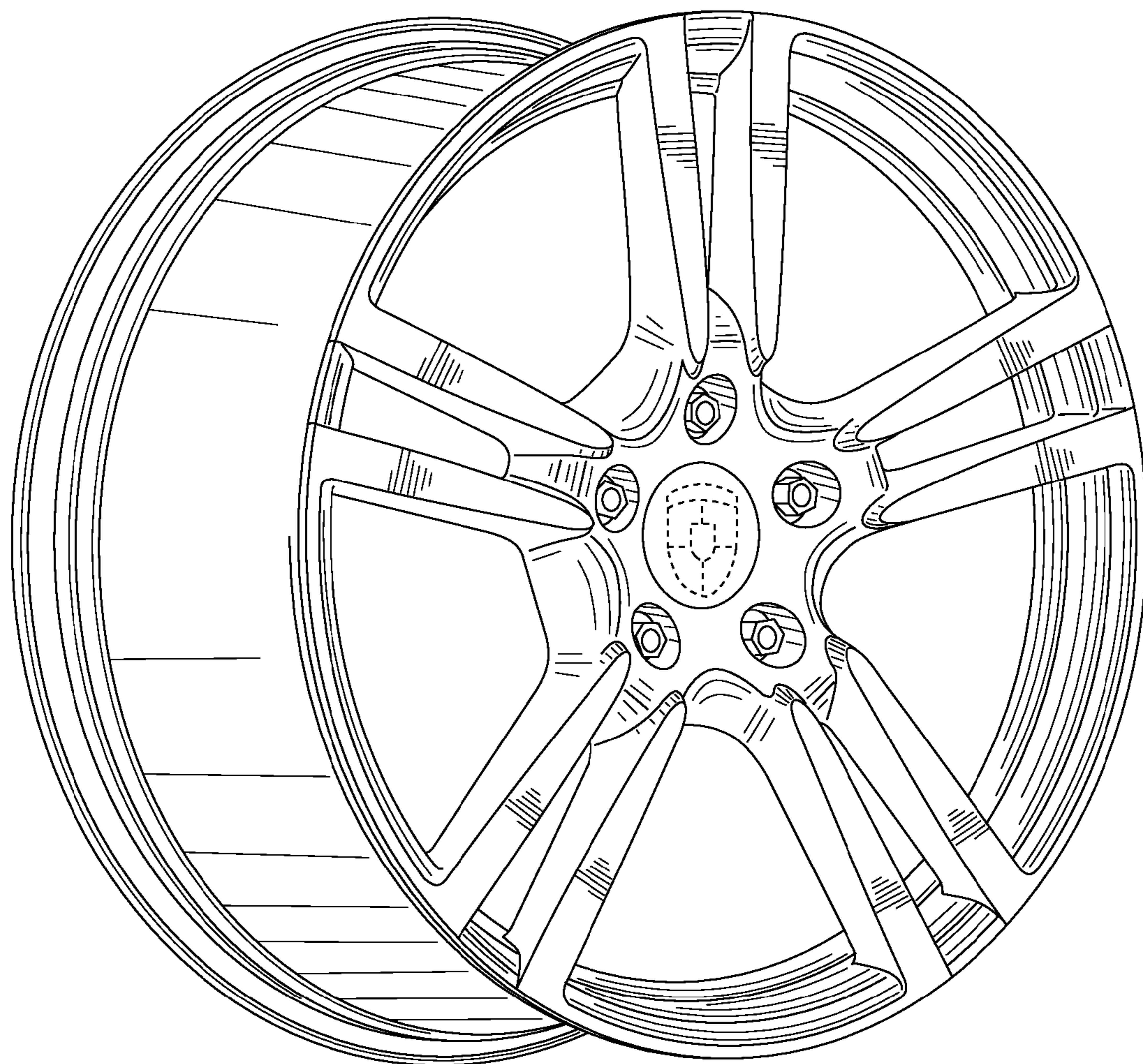


FIG. 2

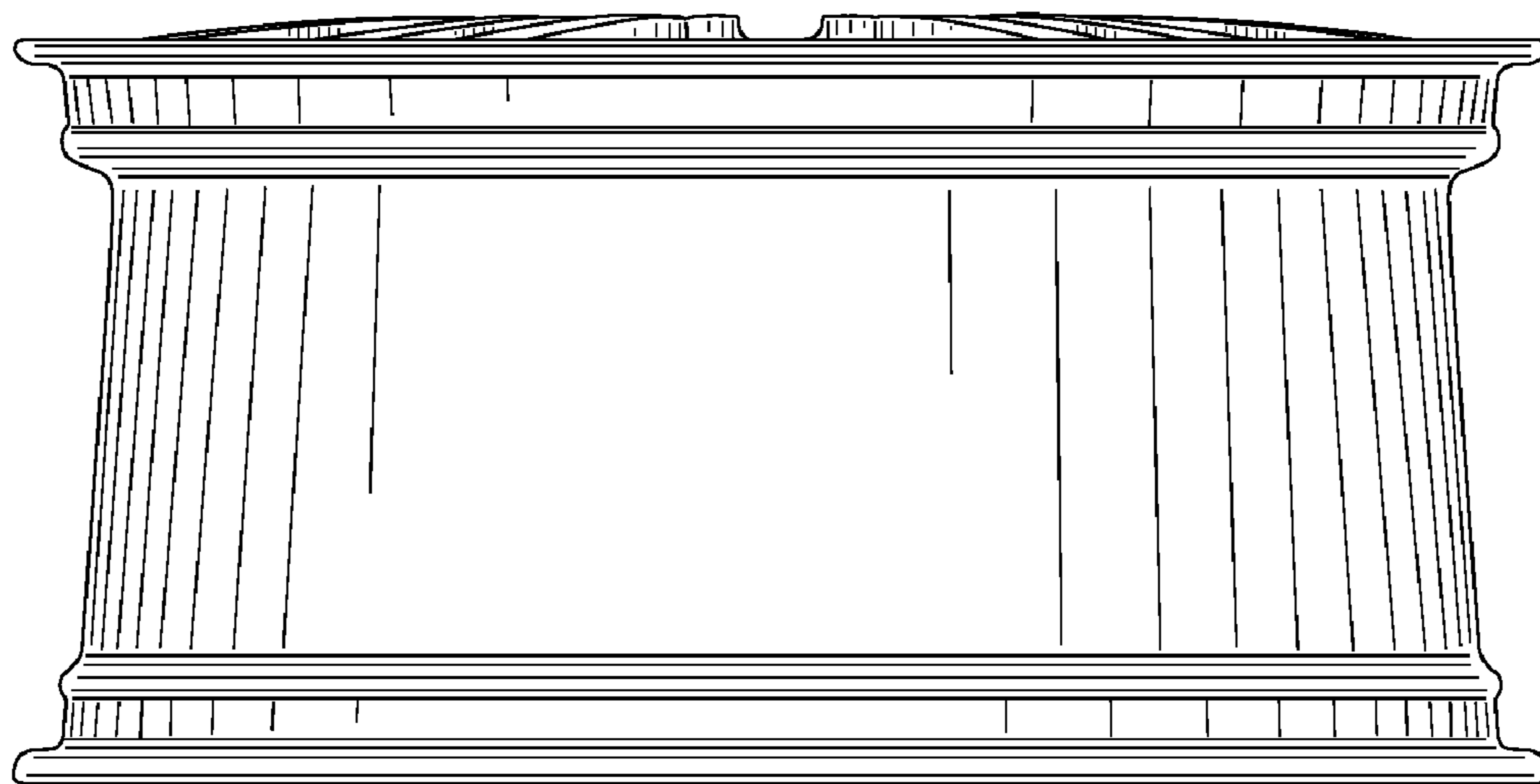


FIG. 3

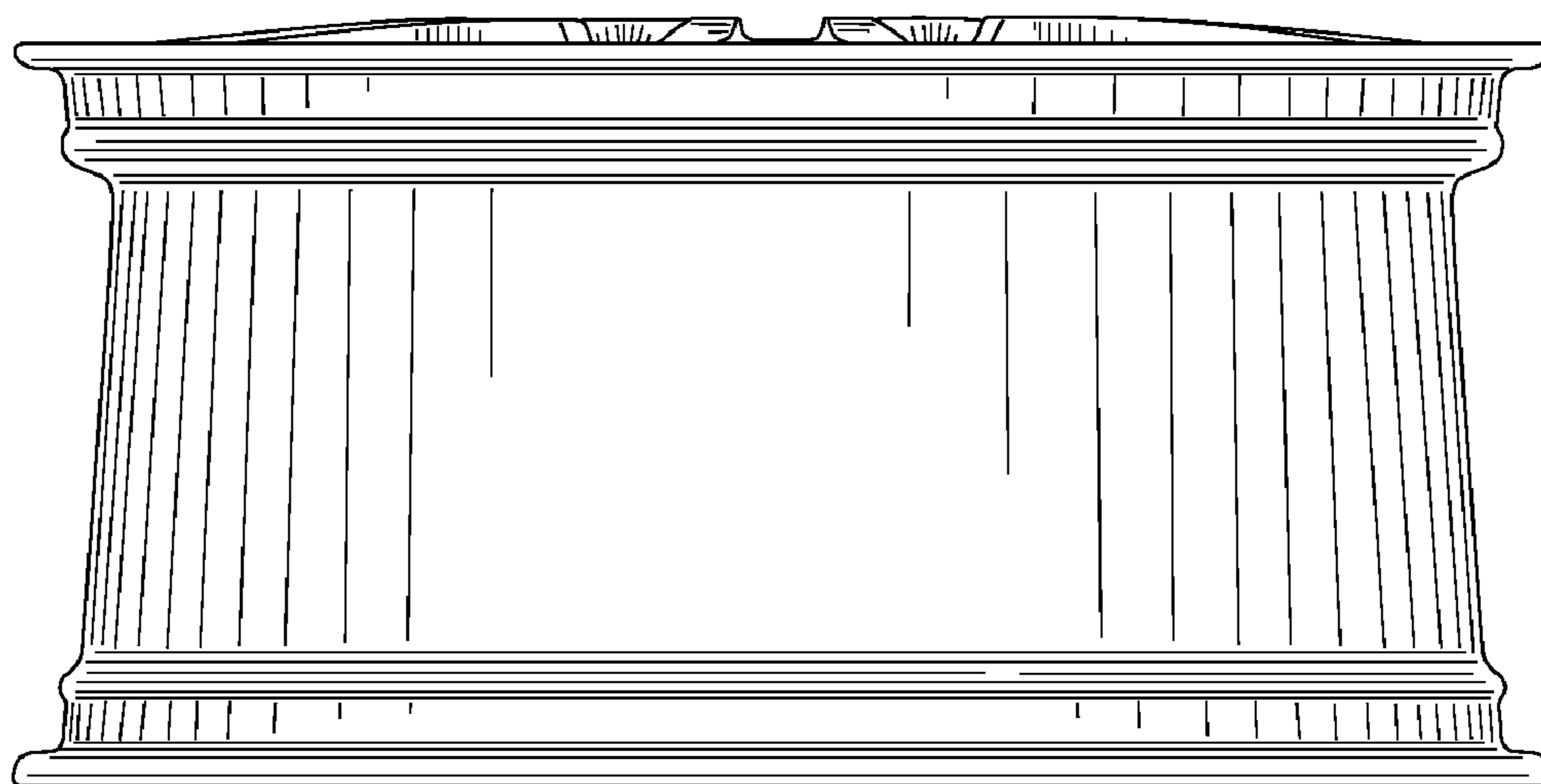


FIG. 4

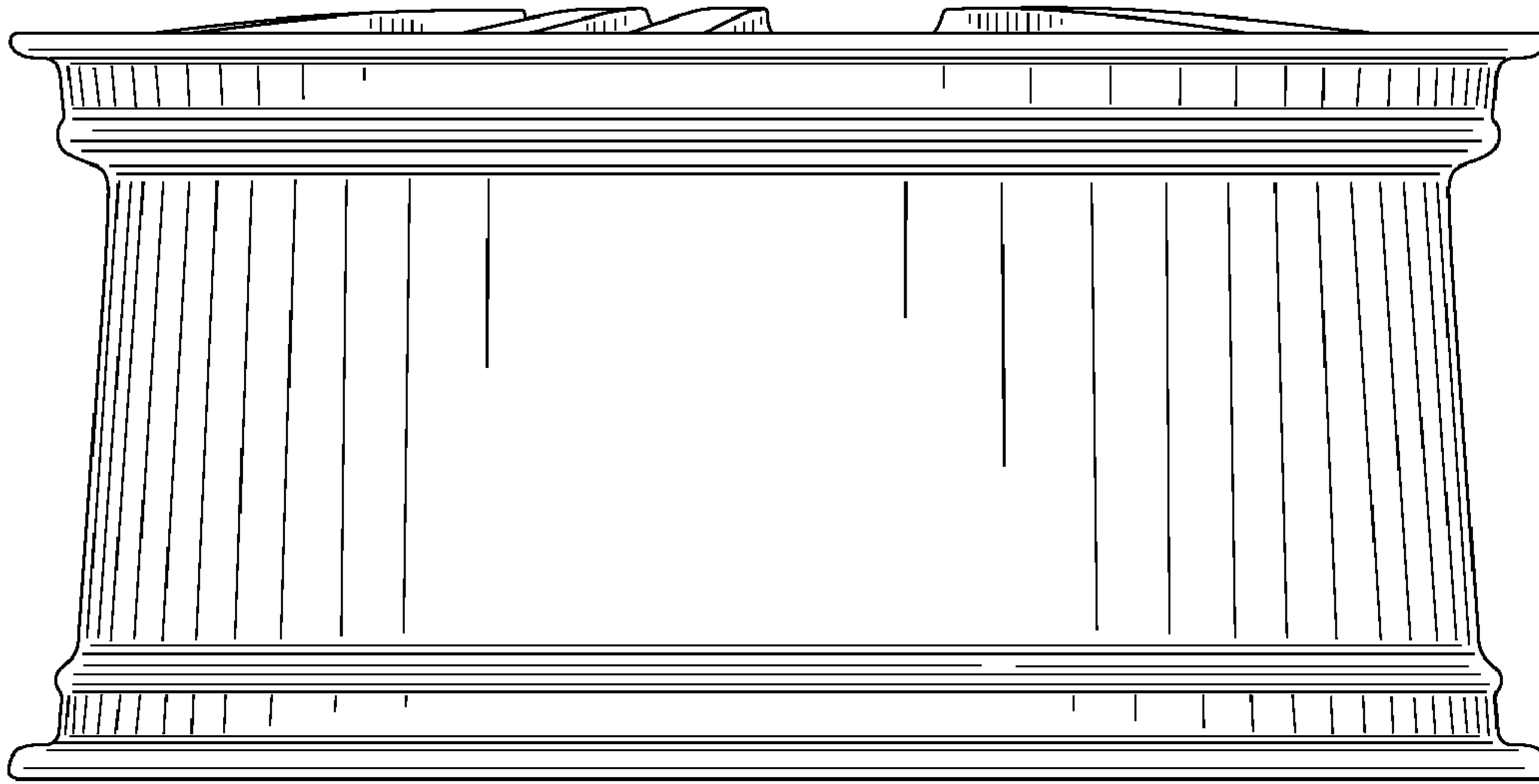


FIG. 5

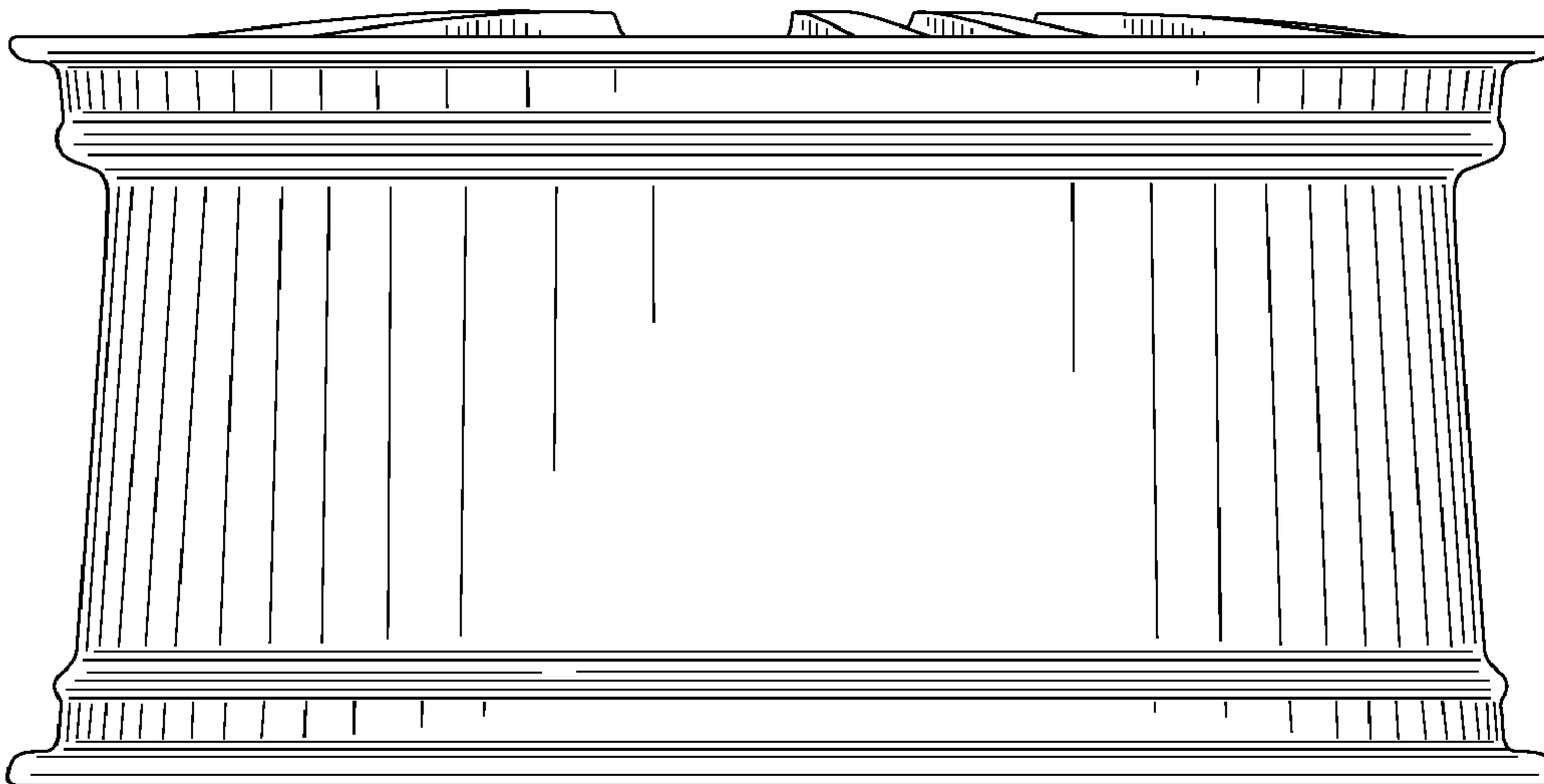


FIG. 6