



US00D627286S

(12) **United States Design Patent**
Gallert

(10) **Patent No.:** **US D627,286 S**
(45) **Date of Patent:** **** Nov. 16, 2010**

(54) **AUTOMOBILE WHEEL**

(75) Inventor: **Michael Gallert**, Stuttgart (DE)

(73) Assignee: **Dr. Ing. h.c. F. Porsche**
Aktiengesellschaft, Stuttgart (DE)

(**) Term: **14 Years**

(21) Appl. No.: **29/363,246**

(22) Filed: **Jun. 7, 2010**

Related U.S. Application Data

(63) Continuation of application No. 29/341,341, filed on Aug. 4, 2009, now abandoned.

(30) **Foreign Application Priority Data**

Feb. 28, 2009 (DE) 40 2009 001 039

(51) **LOC (9) Cl.** **12-16**

(52) **U.S. Cl.** **D12/209**

(58) **Field of Classification Search** D12/204-213;
301/37.101, 64.101, 65, 64.201

See application file for complete search history.

(56) **References Cited**

U.S. PATENT DOCUMENTS

D522,432 S *	6/2006	Pfeiffer	D12/209
D522,434 S *	6/2006	Langer	D12/209
D526,610 S *	8/2006	Muzzarelli	D12/211
D540,238 S *	4/2007	Sycha	D12/209
D548,160 S *	8/2007	Viandante	D12/209

D570,761 S *	6/2008	Antoniadis et al.	D12/211
D582,331 S *	12/2008	Blasi	D12/209
D587,181 S *	2/2009	Musser	D12/209
D589,428 S *	3/2009	Scheu	D12/211
D590,757 S *	4/2009	Froehlich	D12/209
D598,834 S *	8/2009	Juergens et al.	D12/209
D608,713 S *	1/2010	Bucher et al.	D12/209
D609,154 S *	2/2010	Rider et al.	D12/209
D614,558 S *	4/2010	Luciani et al.	D12/209
D618,152 S *	6/2010	Juergens et al.	D12/209

* cited by examiner

Primary Examiner—Stacia Cadmus

(57) **CLAIM**

The ornamental design for an automobile wheel, as shown and described.

DESCRIPTION

FIG. 1 is a front elevational view of an automobile wheel, showing my new design;

FIG. 2 is a perspective view thereof;

FIG. 3 is a left-side view thereof;

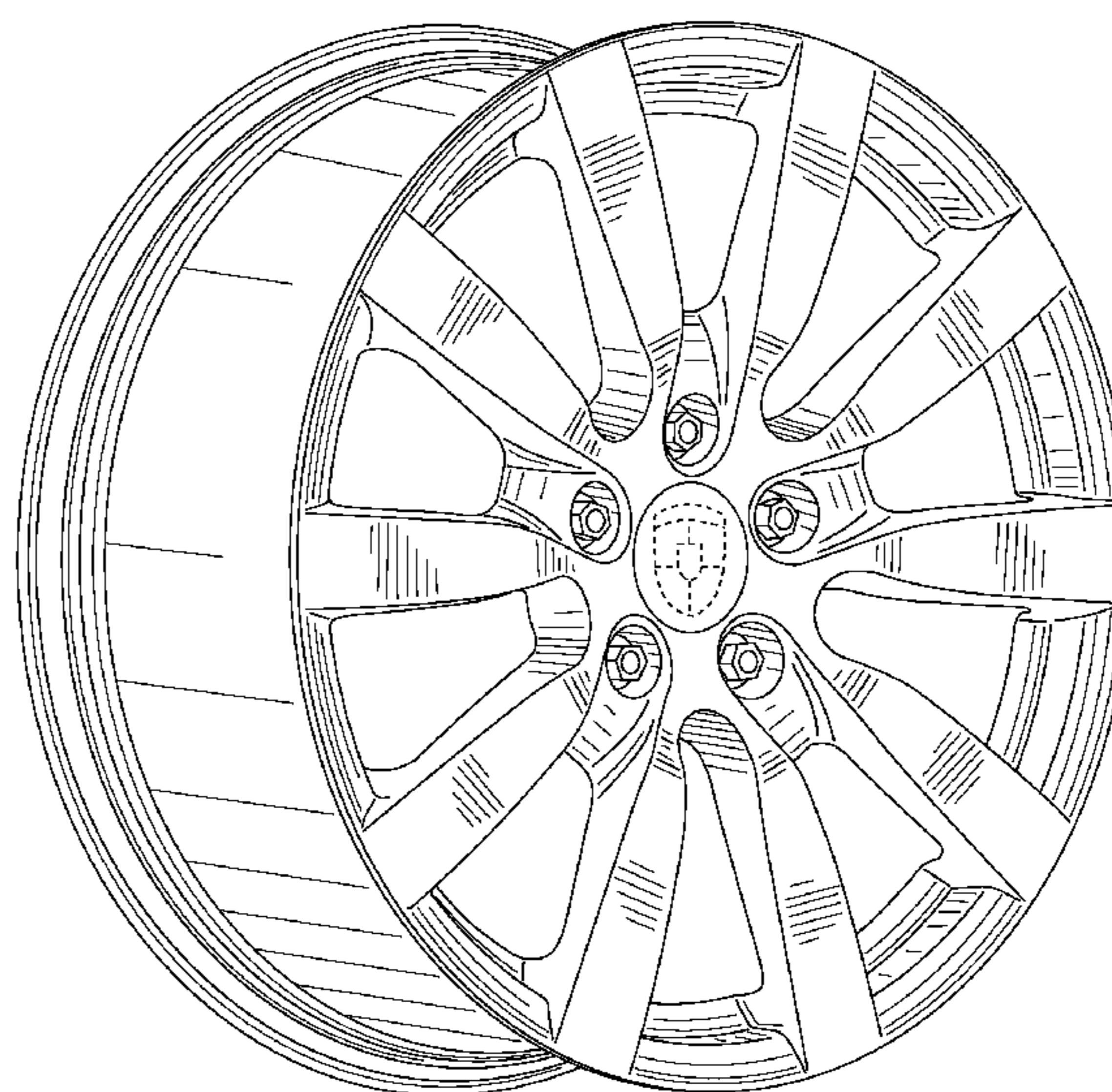
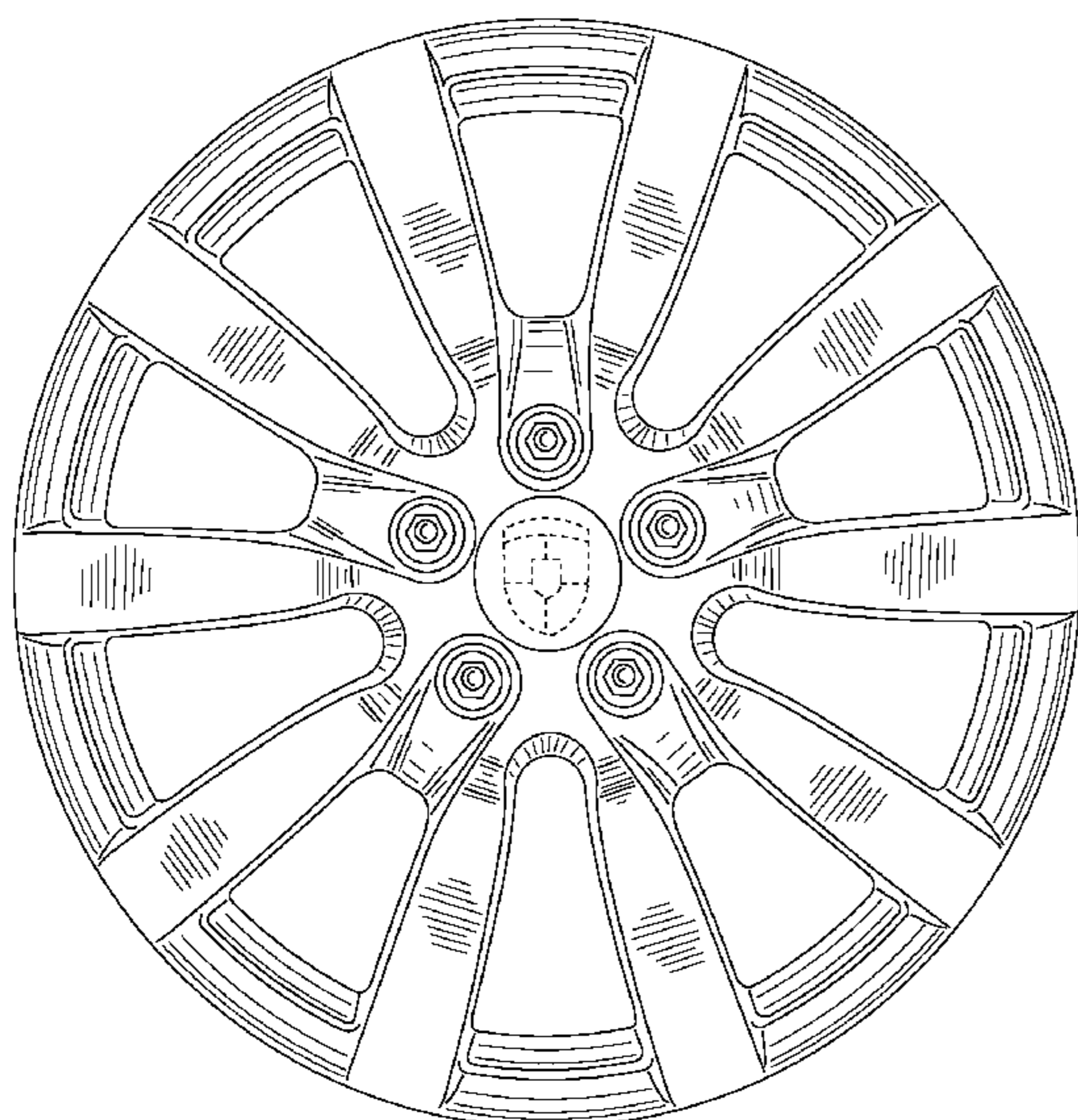
FIG. 4 is a right-side view thereof;

FIG. 5 is a bottom, plan view thereof; and,

FIG. 6 is a top, plan view thereof.

The broken line showing of the emblem in FIGS. 1 and 2 is included for the purpose of illustrating environment and forms no part of the claimed design.

1 Claim, 4 Drawing Sheets



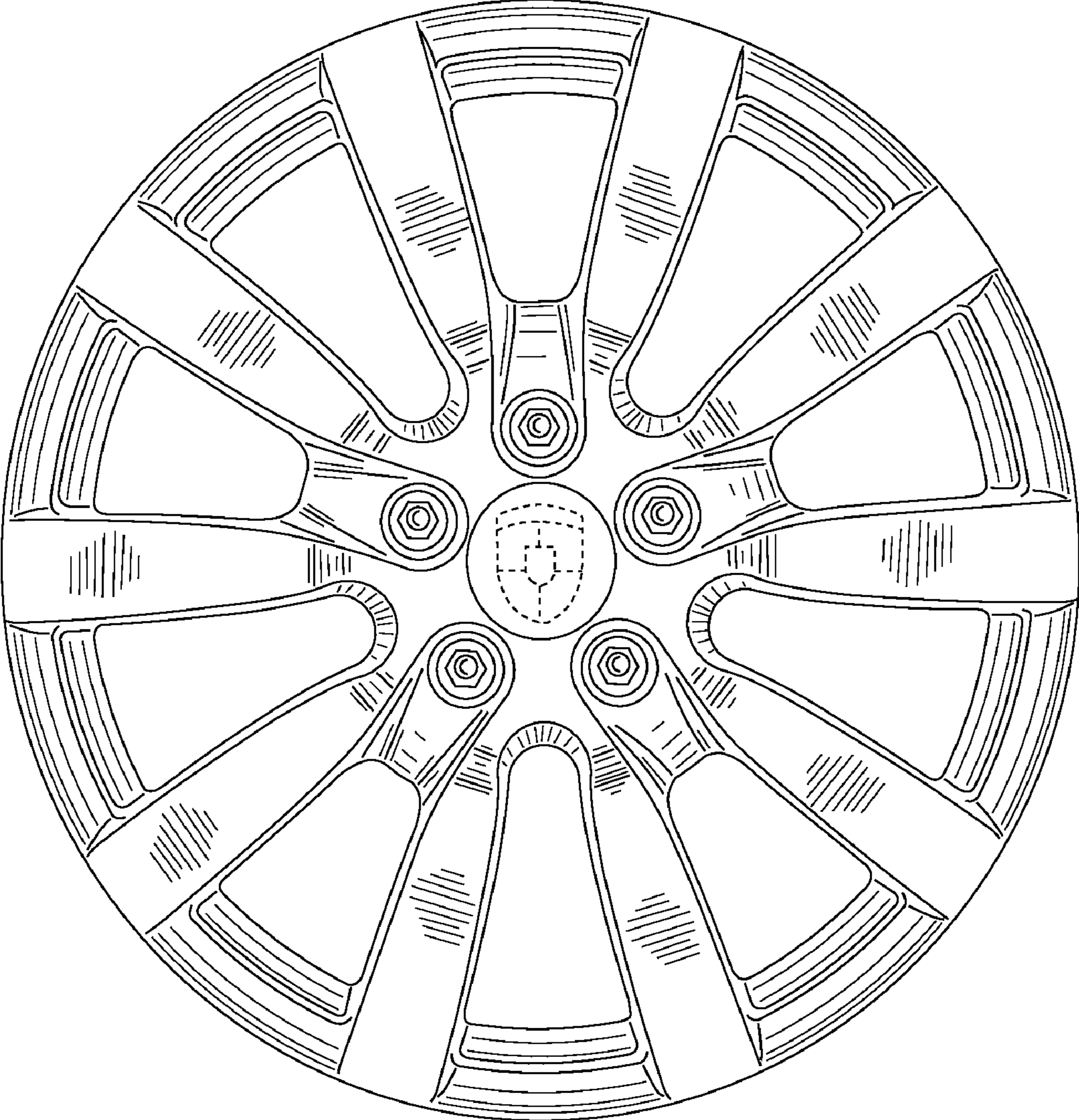


FIG. 1

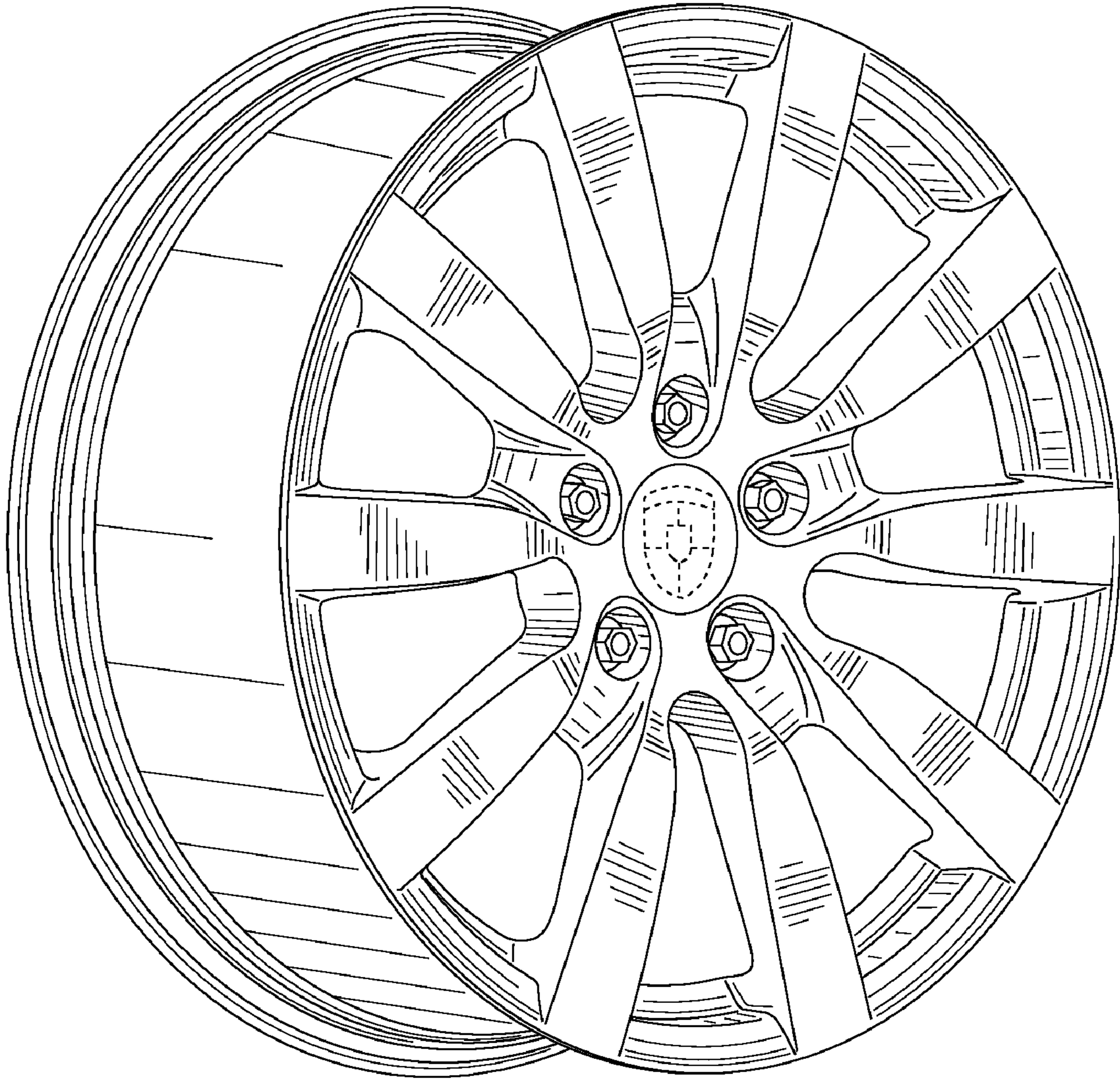


FIG. 2

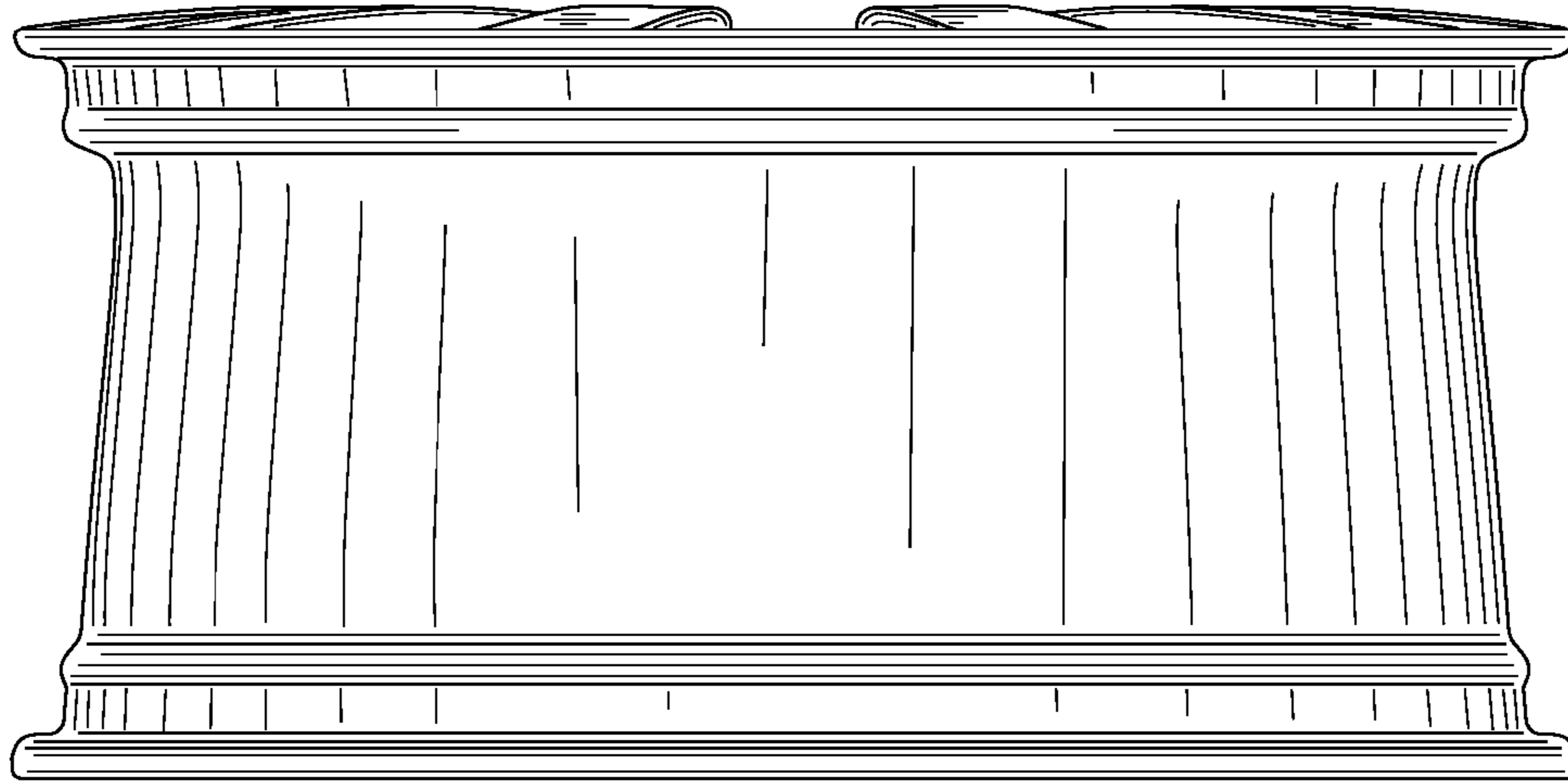


FIG. 3

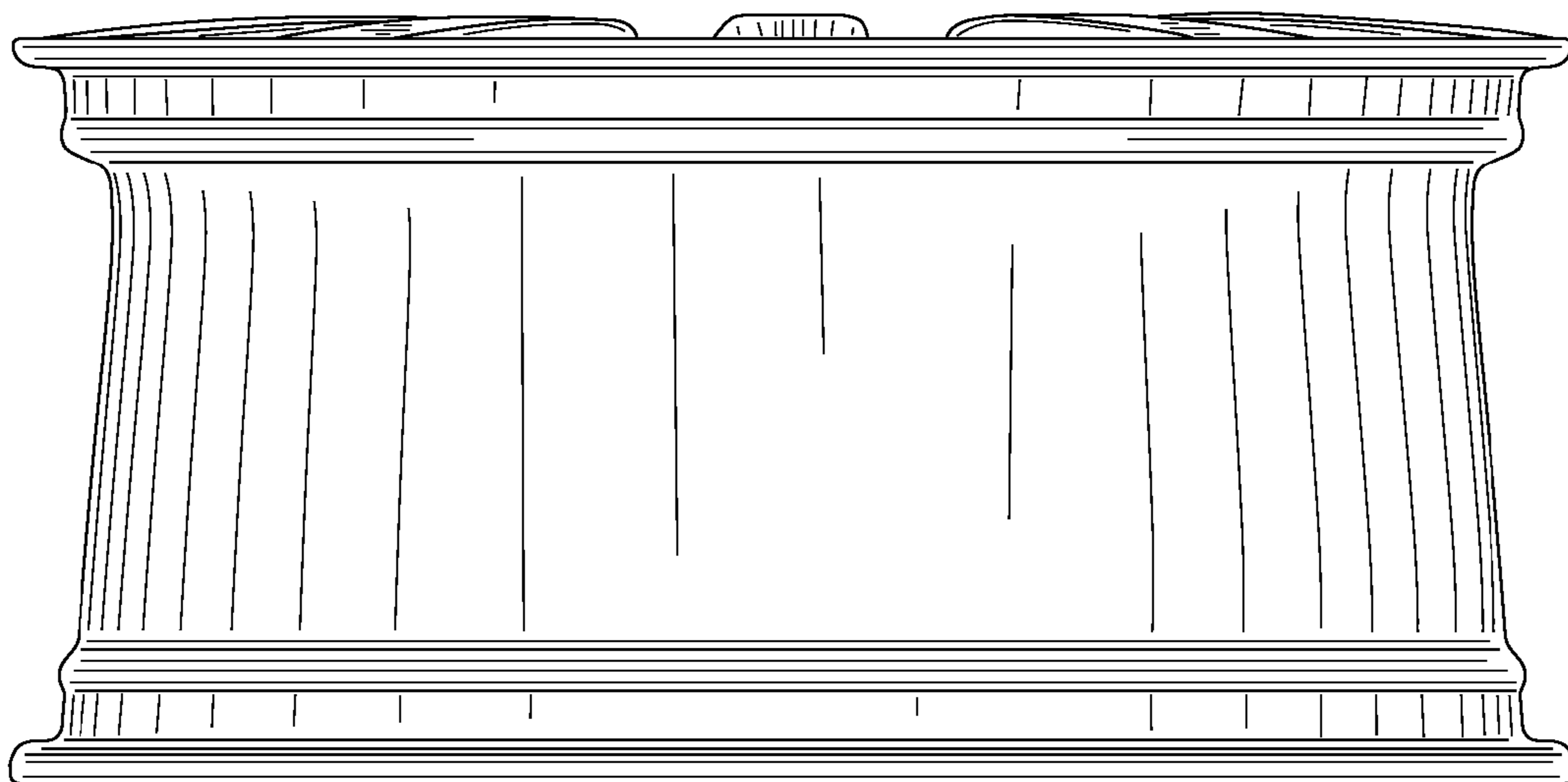


FIG. 4

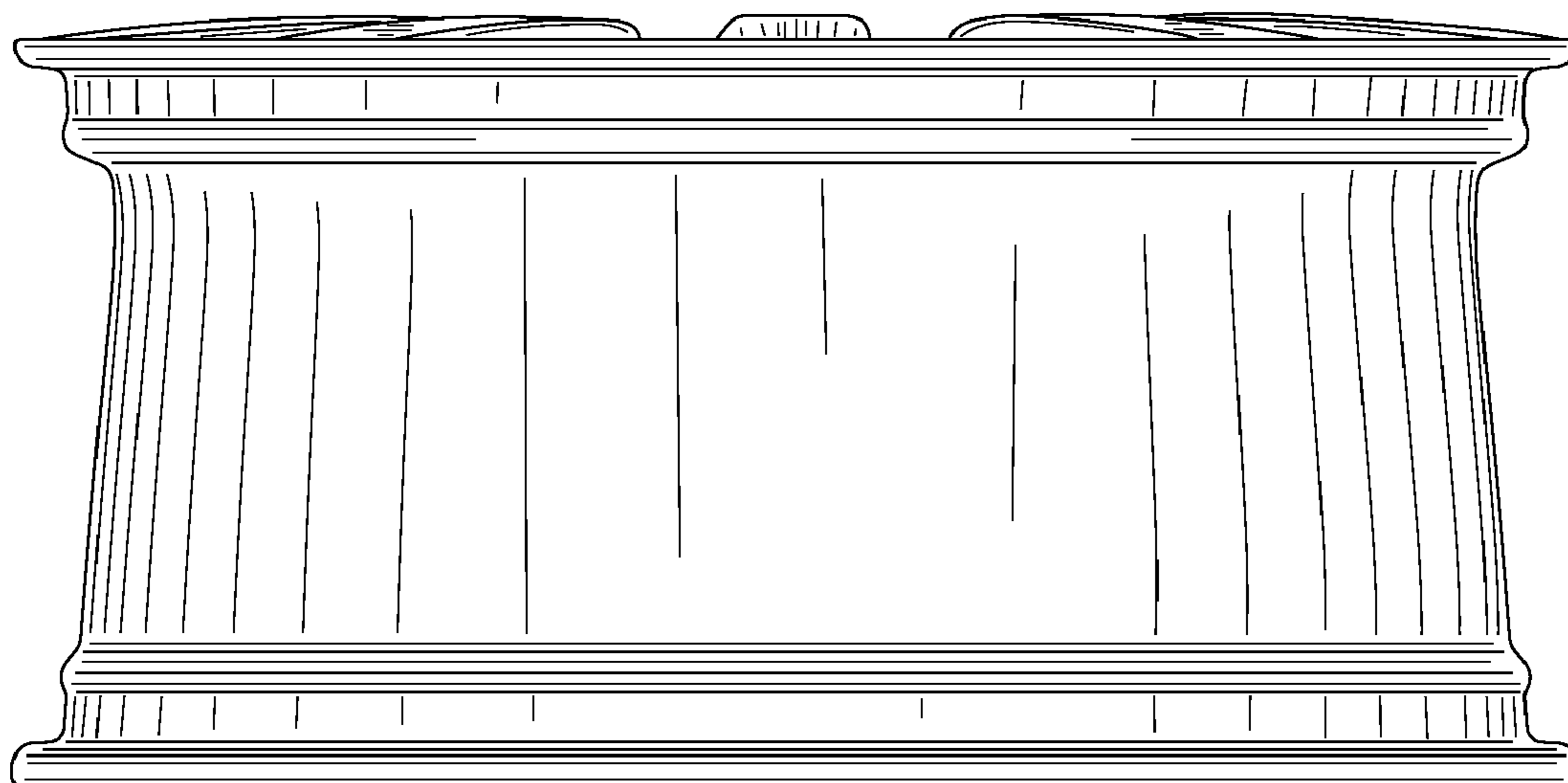


FIG. 5

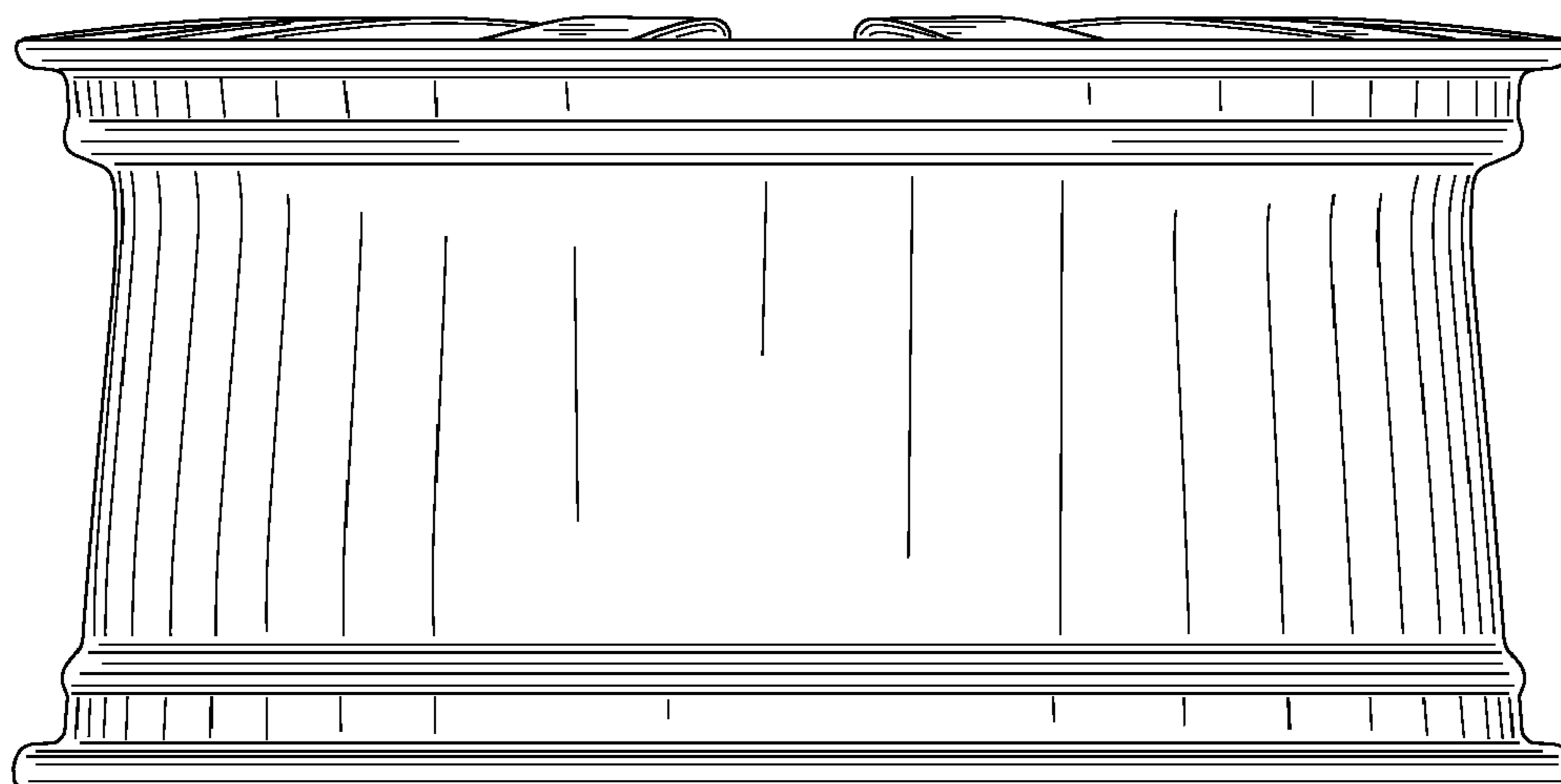


FIG. 6