



US00D627284S

(12) **United States Design Patent**  
**Faszer et al.**

(10) **Patent No.:** **US D627,284 S**

(45) **Date of Patent:** **\*\* Nov. 16, 2010**

(54) **VEHICLE MUFFLER**

(75) Inventors: **Andrew C. Faszer**, Calgary (CA);  
**Bryan N. Campbell**, Calgary (CA);  
**Clifford C. Faszer**, Calgary (CA)

(73) Assignee: **Noise Solutions Inc.** (CA)

(\*\*) Term: **14 Years**

(21) Appl. No.: **29/341,499**

(22) Filed: **Aug. 6, 2009**

(51) **LOC (9) Cl.** ..... **12-16**

(52) **U.S. Cl.** ..... **D12/194**

(58) **Field of Classification Search** ..... 181/227,  
181/249, 255, 252, 284, 239, 240-243; 280/152.1,  
280/152.3, 160.1, 304.3, 770, 848, 552; 60/323,  
60/276, 272; 123/41.73, 41.7, 184.34, 184.36;  
D12/194; D15/5

See application file for complete search history.

(56) **References Cited**

**U.S. PATENT DOCUMENTS**

2,855,068	A *	10/1958	Chapel	.....	181/252
2,909,235	A *	10/1959	Beranek	.....	181/252
4,756,383	A *	7/1988	Sterrett	.....	181/243
D446,489	S *	8/2001	Park	.....	D12/194
6,415,889	B1 *	7/2002	Wyatt	.....	181/282
D492,634	S *	7/2004	Butterfield et al.	.....	D12/194
D537,396	S *	2/2007	Drew et al.	.....	D12/194
7,464,787	B2 *	12/2008	Davis, Jr.	.....	181/227
D596,649	S *	7/2009	Yan et al.	.....	D15/5
D612,877	S *	3/2010	Noguchi	.....	D15/143

\* cited by examiner

*Primary Examiner*—Robert M Spear

*Assistant Examiner*—Cynthia Underwood

(74) *Attorney, Agent, or Firm*—St. Onge Steward Johnston & Reens LLC

(57) **CLAIM**

The ornamental design for a vehicle muffler, as shown and described.

**DESCRIPTION**

FIG. 1 is a front elevational view of a vehicle muffler illustrating the present design;

FIG. 2 is a right side elevational view of the vehicle muffler shown in FIG. 1;

FIG. 3 is a rear elevational view of the vehicle muffler shown in FIG. 1;

FIG. 4 is a left side elevational view of the vehicle muffler shown in FIG. 1;

FIG. 5 is a top plan view of the vehicle muffler shown in FIG. 1;

FIG. 6 is a bottom plan view of the vehicle muffler shown in FIG. 1;

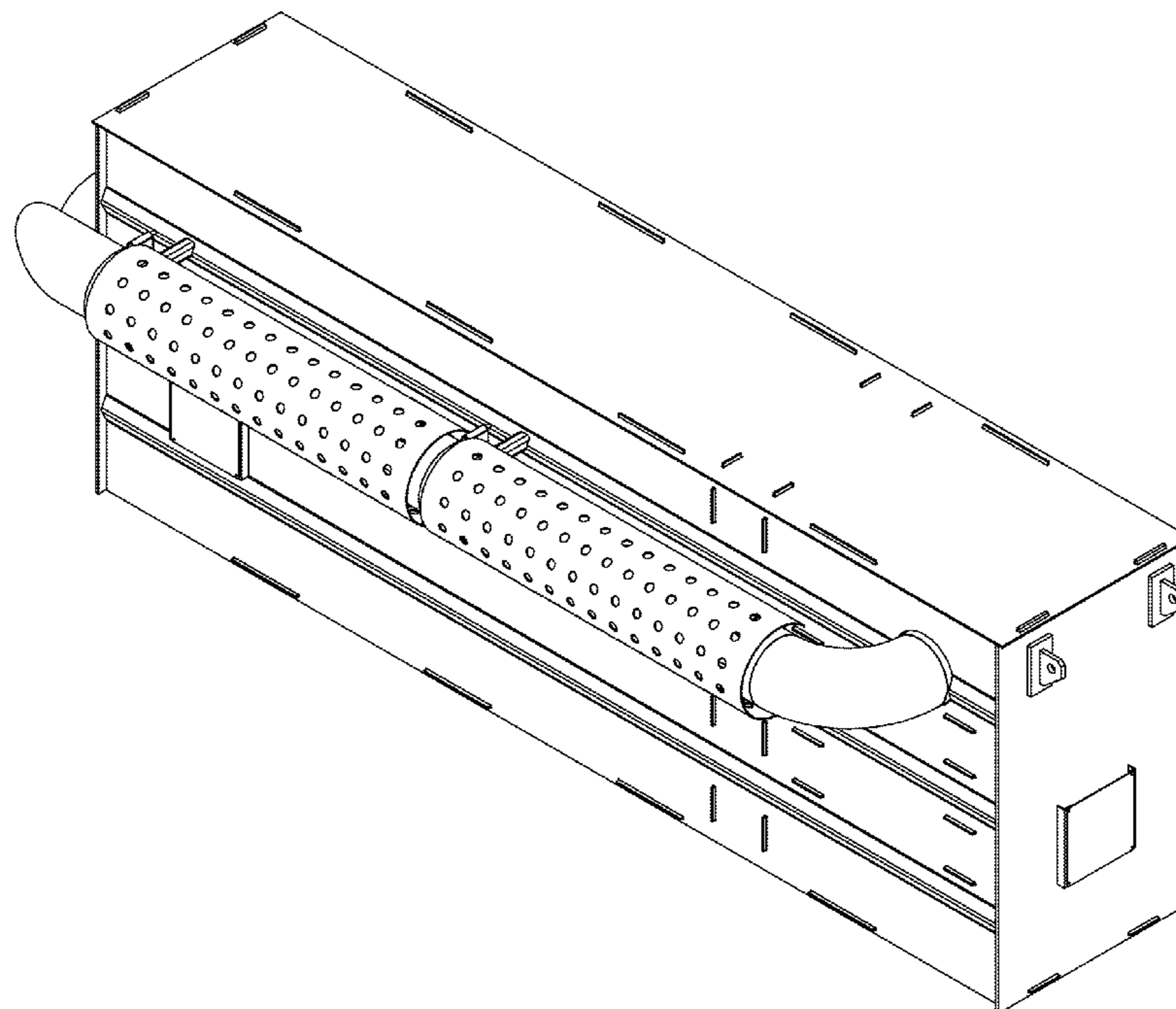
FIG. 7 is a front isometric view of the vehicle muffler shown in FIG. 1;

FIG. 8 is a rear isometric view of the vehicle muffler shown in FIG. 1; and,

FIG. 9 is a front isometric view of the vehicle muffler shown in FIG. 1 in a typical environment.

The broken line showing in FIG. 9 is for environmental purposes only and forms no part of the claimed design.

**1 Claim, 9 Drawing Sheets**



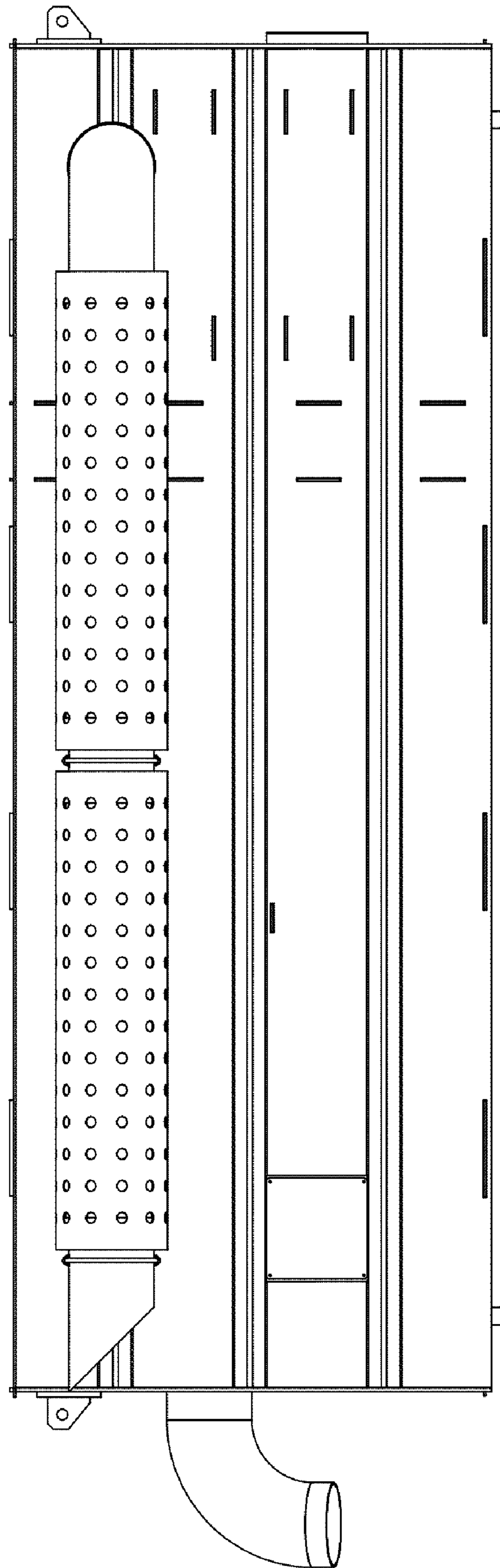


FIGURE 1

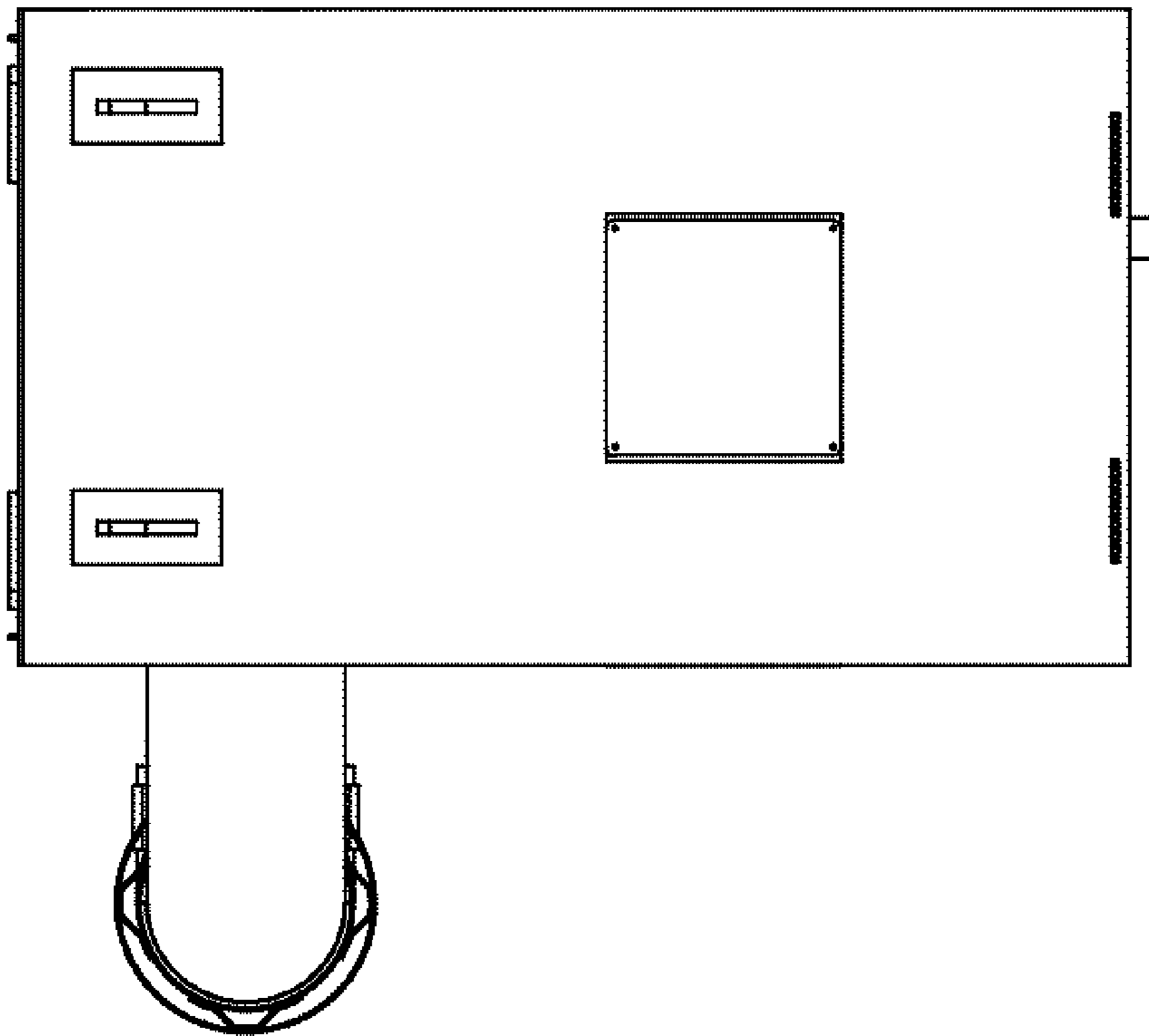


FIGURE 2

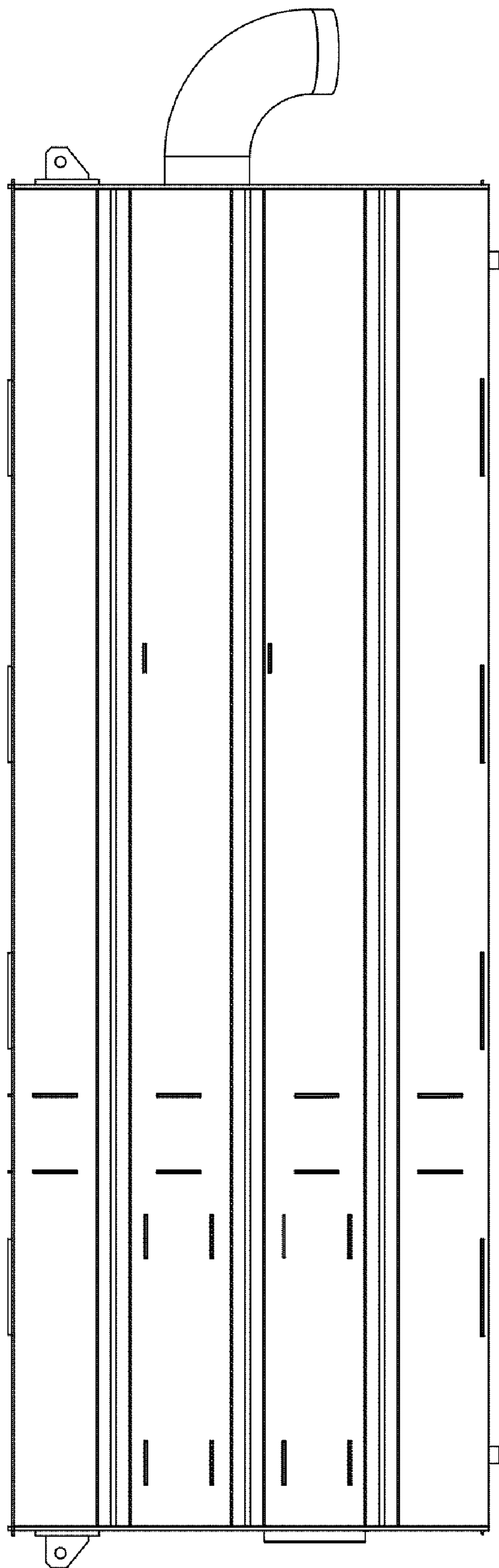


FIGURE 3

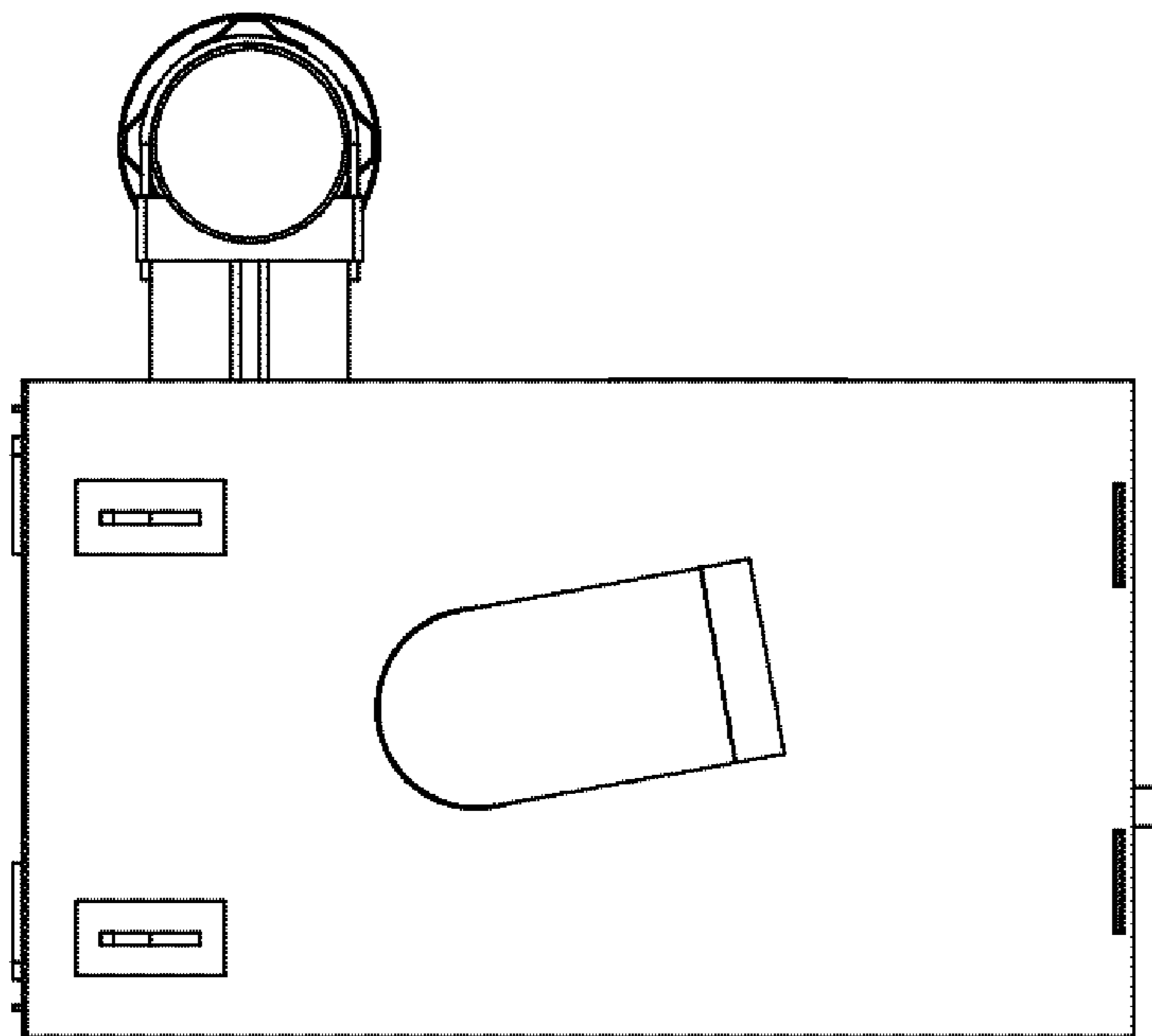


FIGURE 4

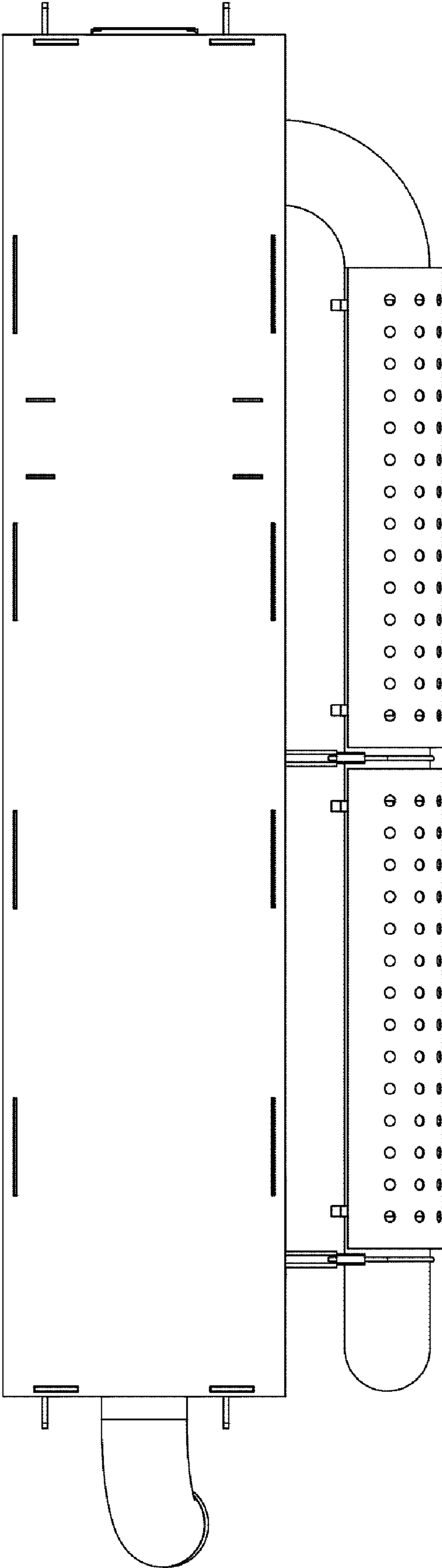


FIGURE 5

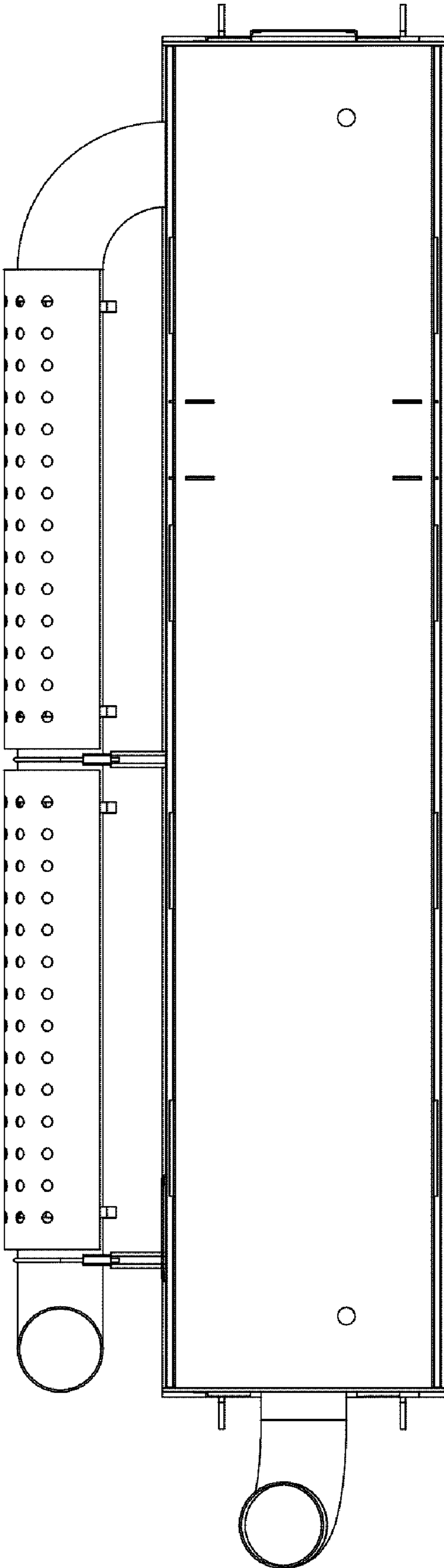


FIGURE 6

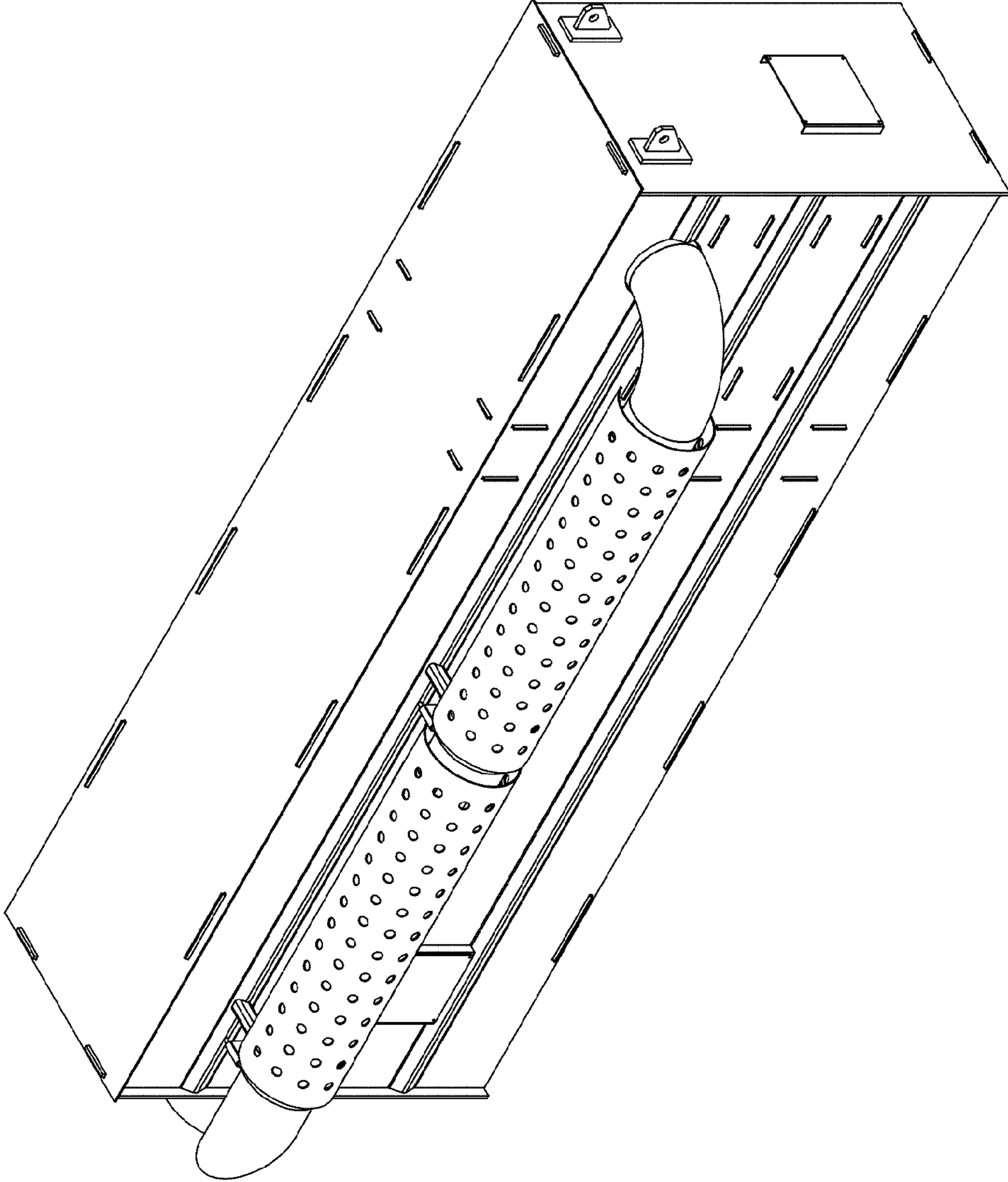


FIGURE 7



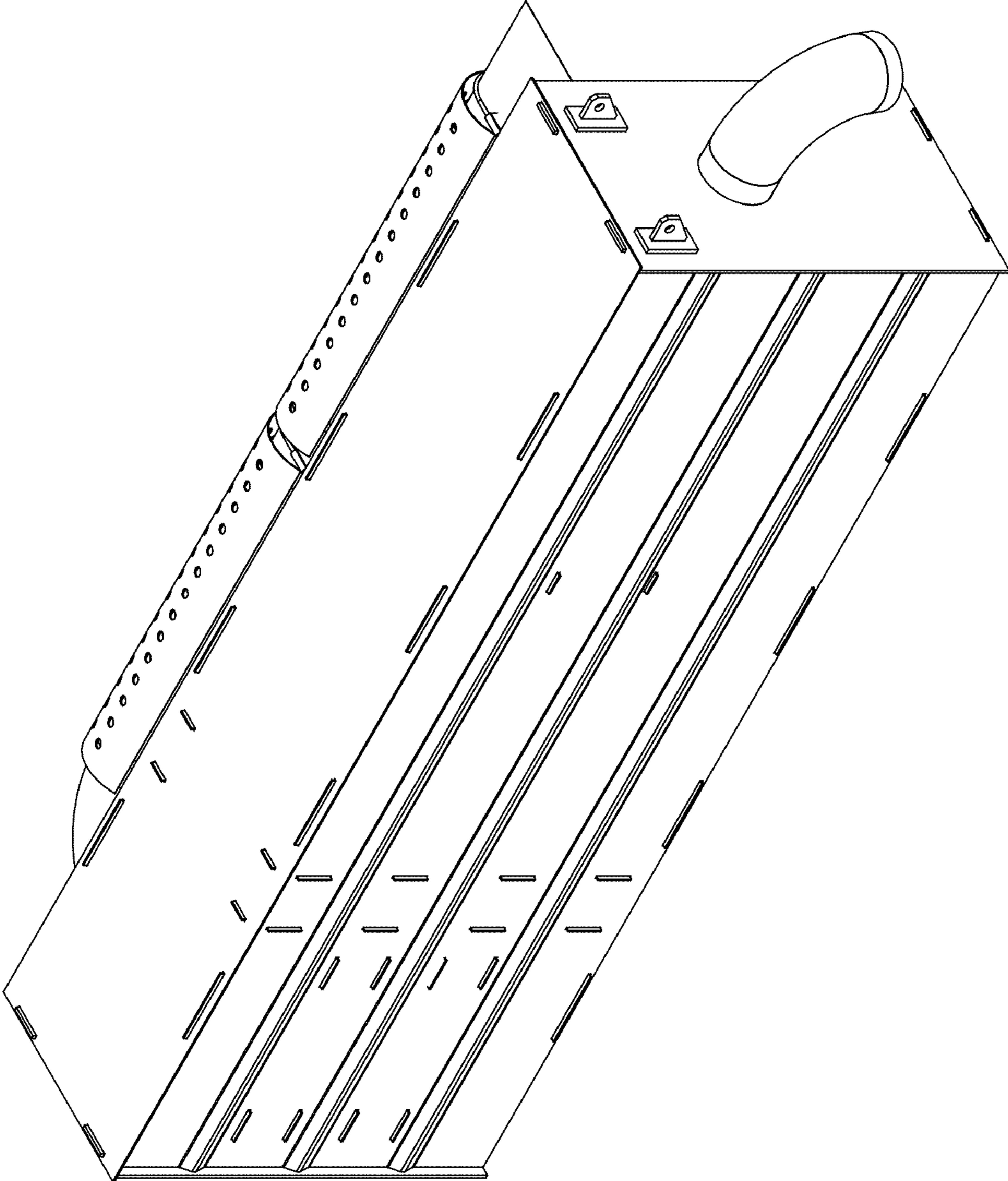


FIGURE 8

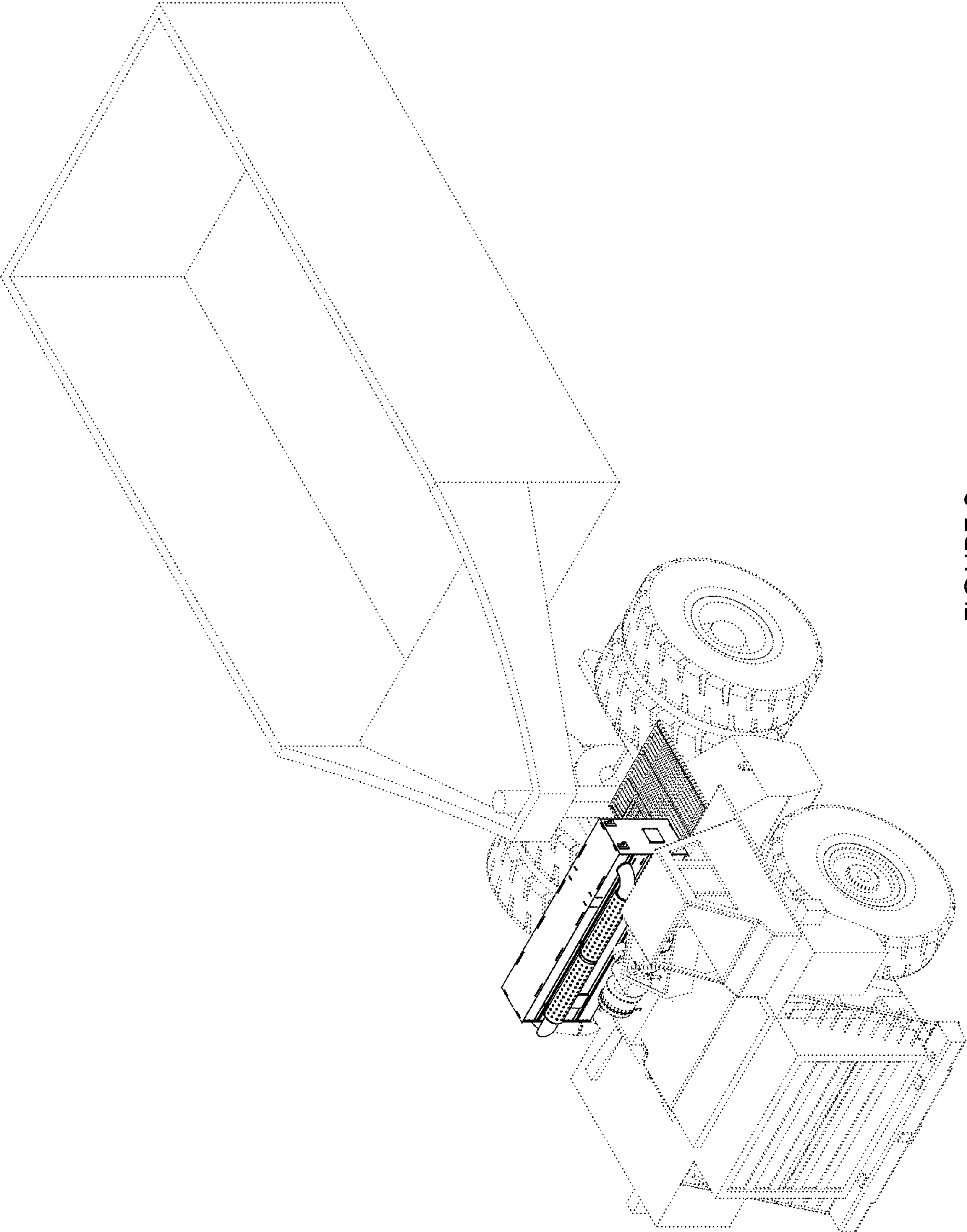


FIGURE 9