



US00D627283S

(12) **United States Design Patent**  
**Ilmberger**

(10) **Patent No.:** **US D627,283 S**

(45) **Date of Patent:** **\*\* Nov. 16, 2010**

(54) **MOTORCYCLE FENDER**

(74) *Attorney, Agent, or Firm*—Woodling, Krost and Rust

(75) Inventor: **Julius Ilmberger**, Oberhaching (DE)

(57) **CLAIM**

(73) Assignee: **Ilmberger Carbonparts**, Oberhaching (DE)

The ornamental design for a motorcycle fender, as shown and described.

(\*\*) Term: **14 Years**

(21) Appl. No.: **29/341,943**

(22) Filed: **Aug. 14, 2009**

(30) **Foreign Application Priority Data**

May 14, 2009 (EM) ..... 001511924-0006

(51) **LOC (9) Cl.** ..... **12-11**

(52) **U.S. Cl.** ..... **D12/186**

(58) **Field of Classification Search** ..... D12/110,  
D12/126, 114, 184–186; 180/219, 220; 280/152.1–152.3,  
280/160.1, 848, 852; 293/102–105

See application file for complete search history.

(56) **References Cited**

**U.S. PATENT DOCUMENTS**

D279,974 S \* 8/1985 Komori et al. .... D12/186  
4,982,973 A \* 1/1991 Saito et al. .... 280/152.1  
D496,614 S \* 9/2004 Everitt et al. .... D12/186  
D514,487 S \* 2/2006 Asao et al. .... D12/186  
D594,392 S \* 6/2009 Nishihara ..... D12/186

**OTHER PUBLICATIONS**

J & P Cyles® 2005 Metric Cruiser and Touring Catalog, Baron  
Fenders on p. 110.\*

\* cited by examiner

*Primary Examiner*—Philip S Hyder  
*Assistant Examiner*—Linda G. Brooks

**DESCRIPTION**

FIG. 1 is a first perspective, generally front view of a first embodiment of my design.

FIG. 2 is second perspective, generally front-top view of the first embodiment of my design.

FIG. 3 is third perspective, generally top view of the first embodiment of my design.

FIG. 4 is a front view of the first embodiment of my design.

FIG. 5 is a rear bottom perspective view of the first embodiment of my design.

FIG. 6 is a fourth perspective generally top view of the first embodiment of my design.

FIG. 7 is a first perspective, generally front view of a second embodiment of my design.

FIG. 8 is second perspective, generally front-top view of the second embodiment of my design.

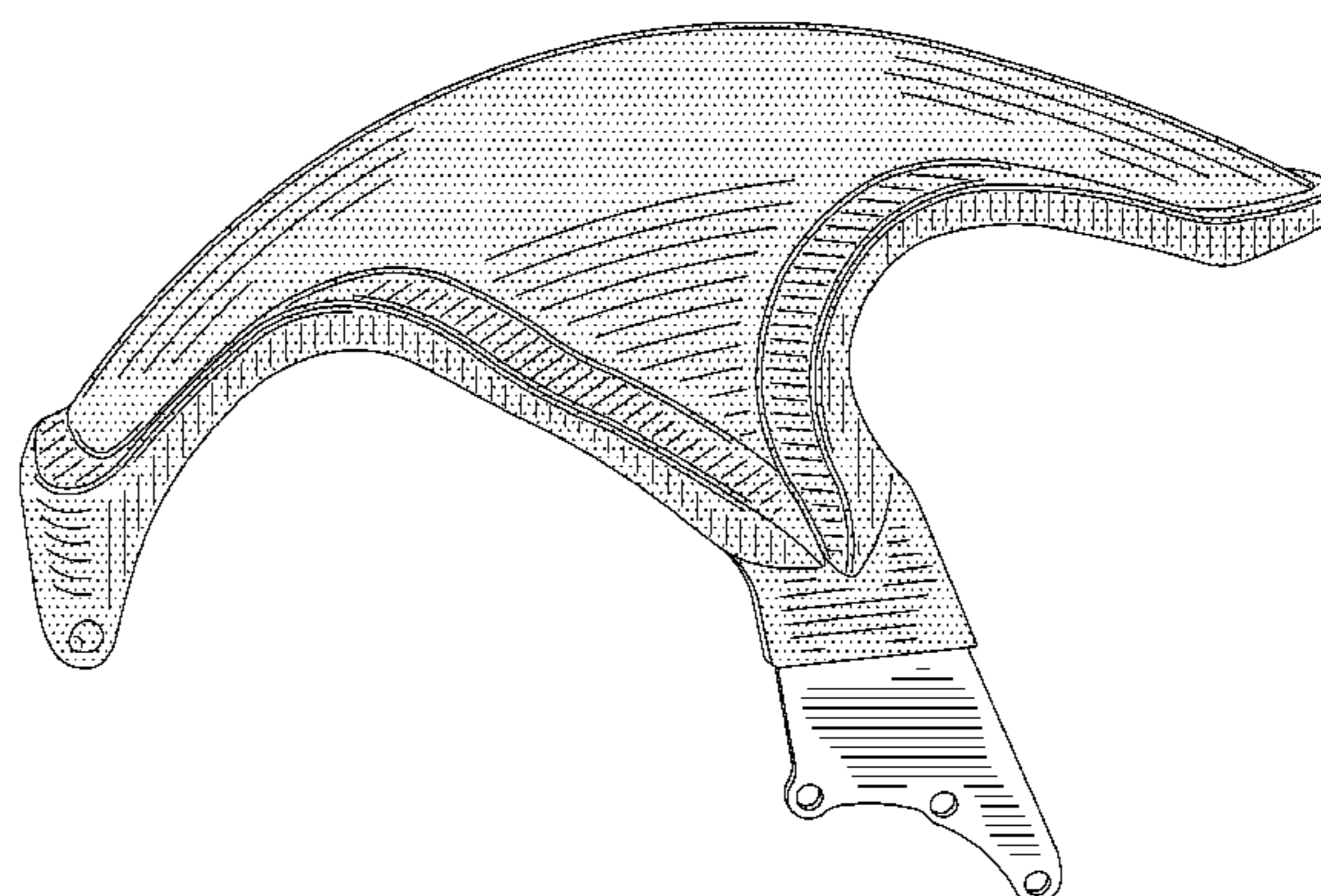
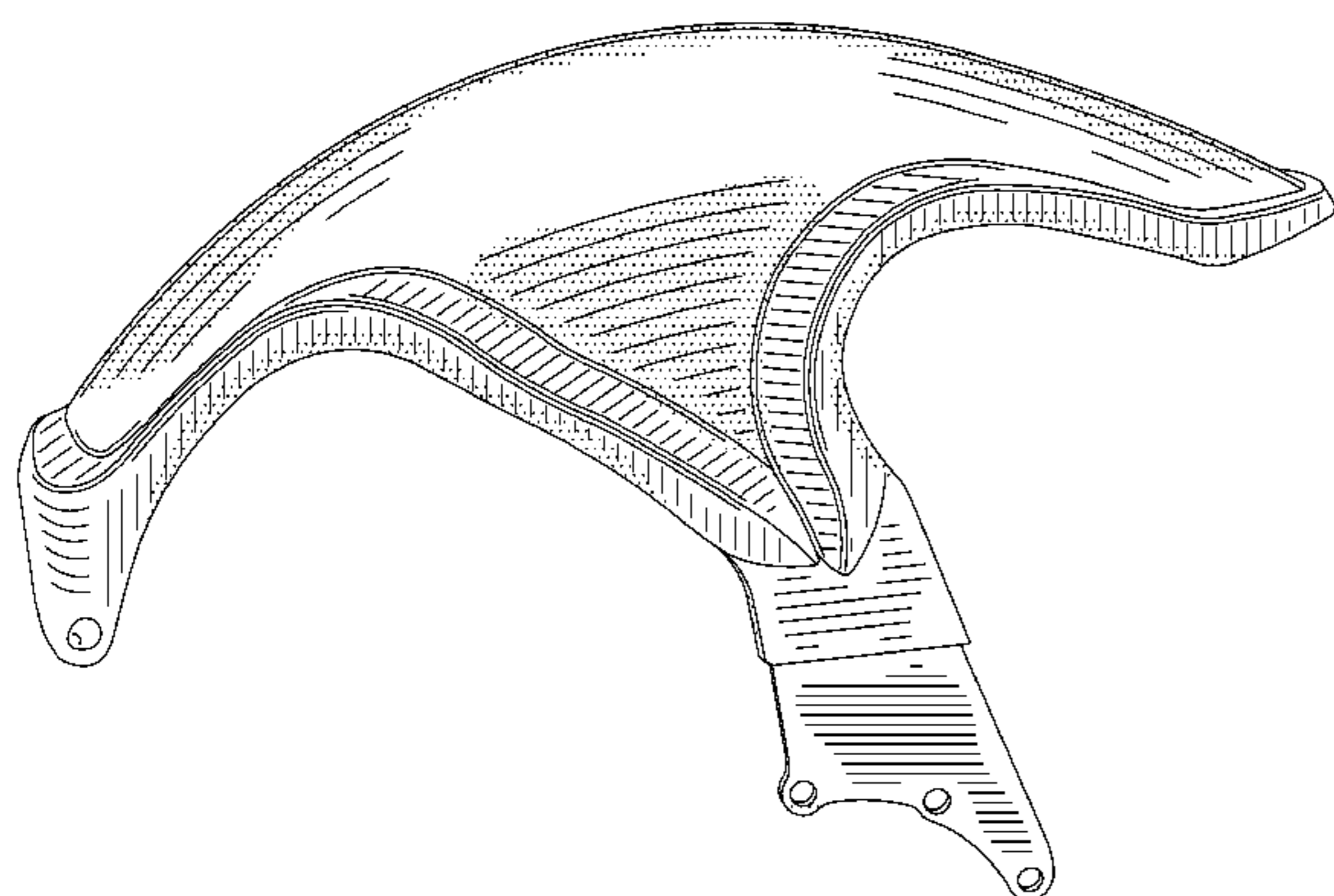
FIG. 9 is third perspective, generally top view of the second embodiment of my design.

FIG. 10 is a front view of the second embodiment of my design.

FIG. 11 is a rear bottom perspective view of the second embodiment of my design; and,

FIG. 12 is a fourth perspective generally top view of the second embodiment of my design.

**1 Claim, 12 Drawing Sheets**



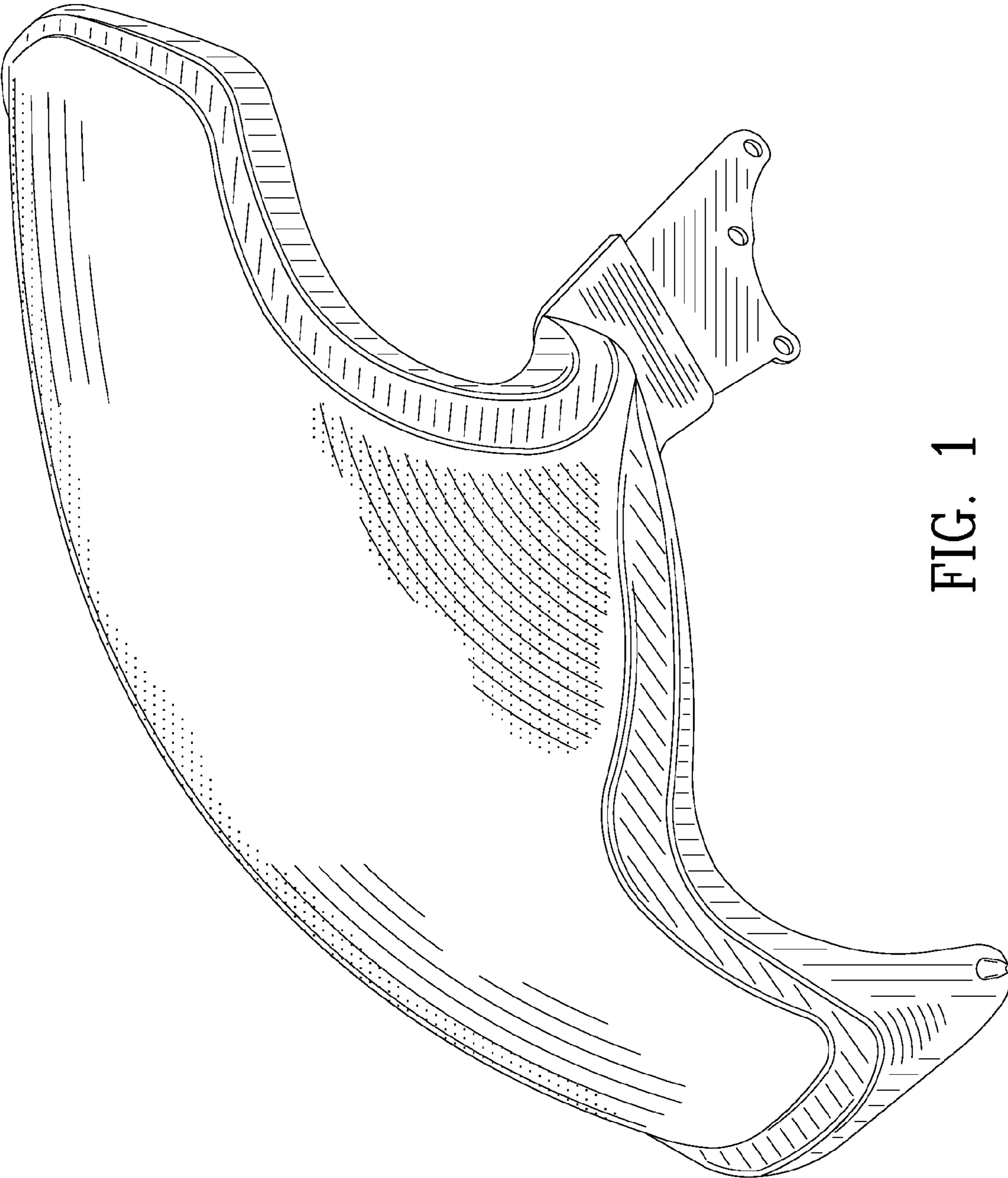


FIG. 1

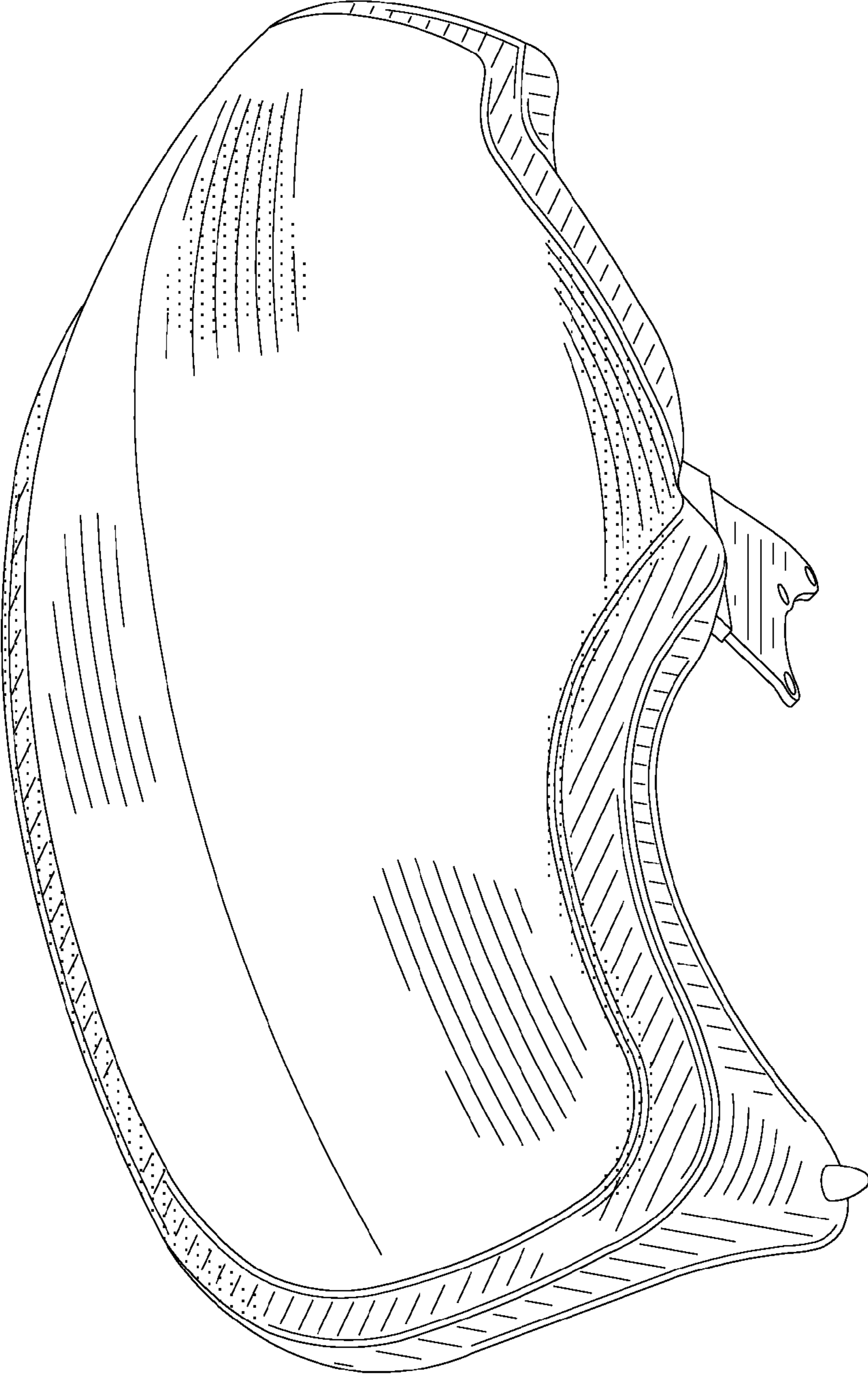


FIG. 2

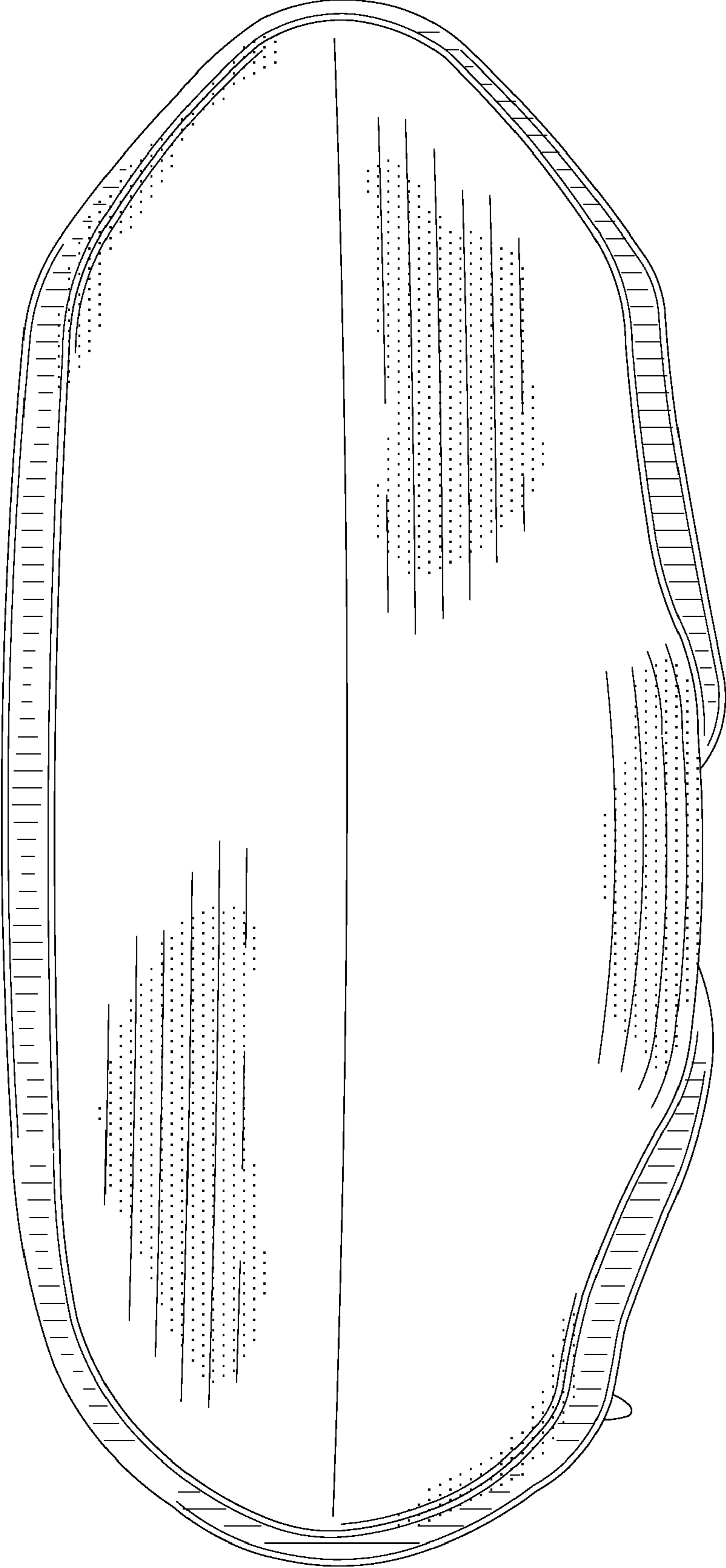


FIG. 3

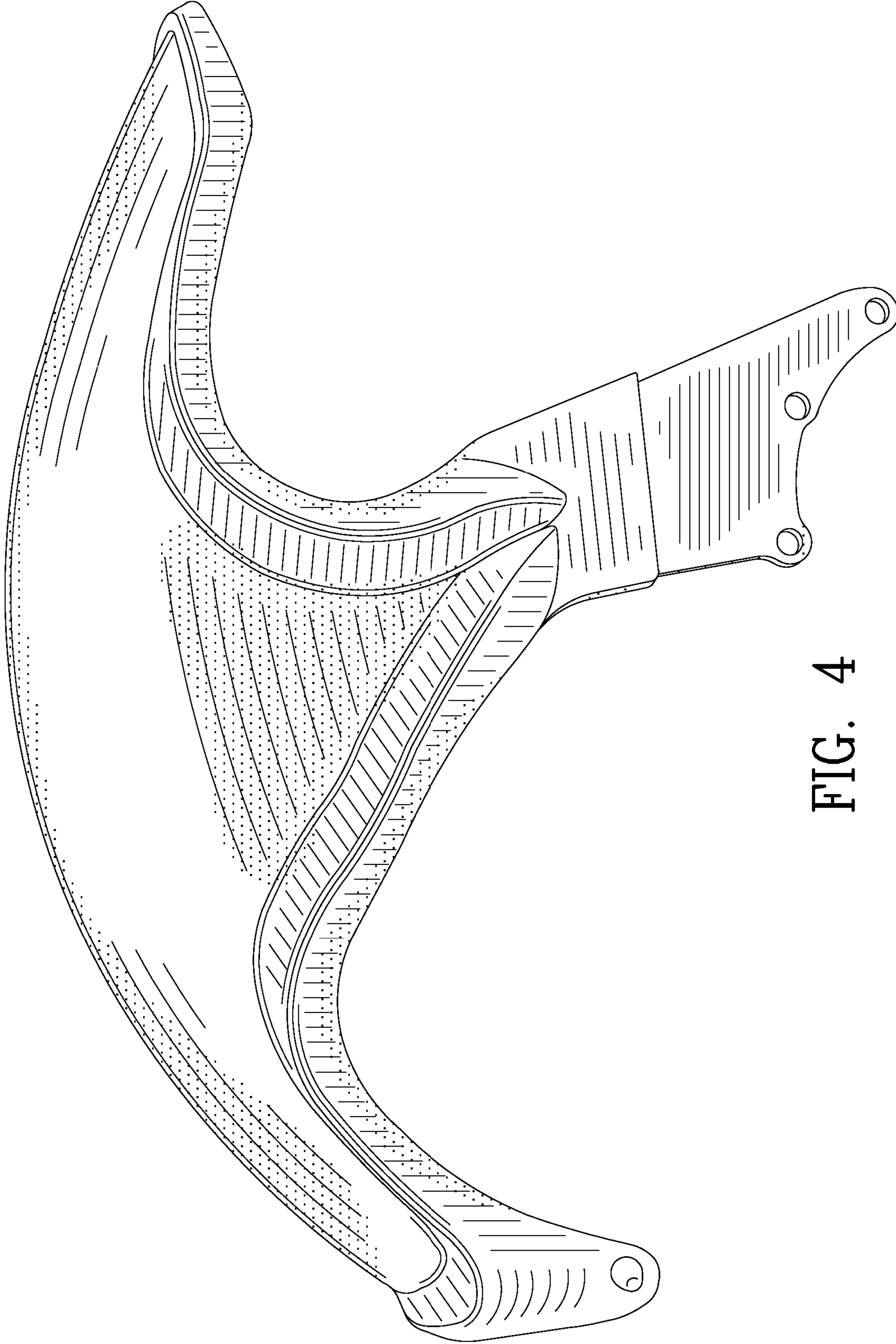


FIG. 4

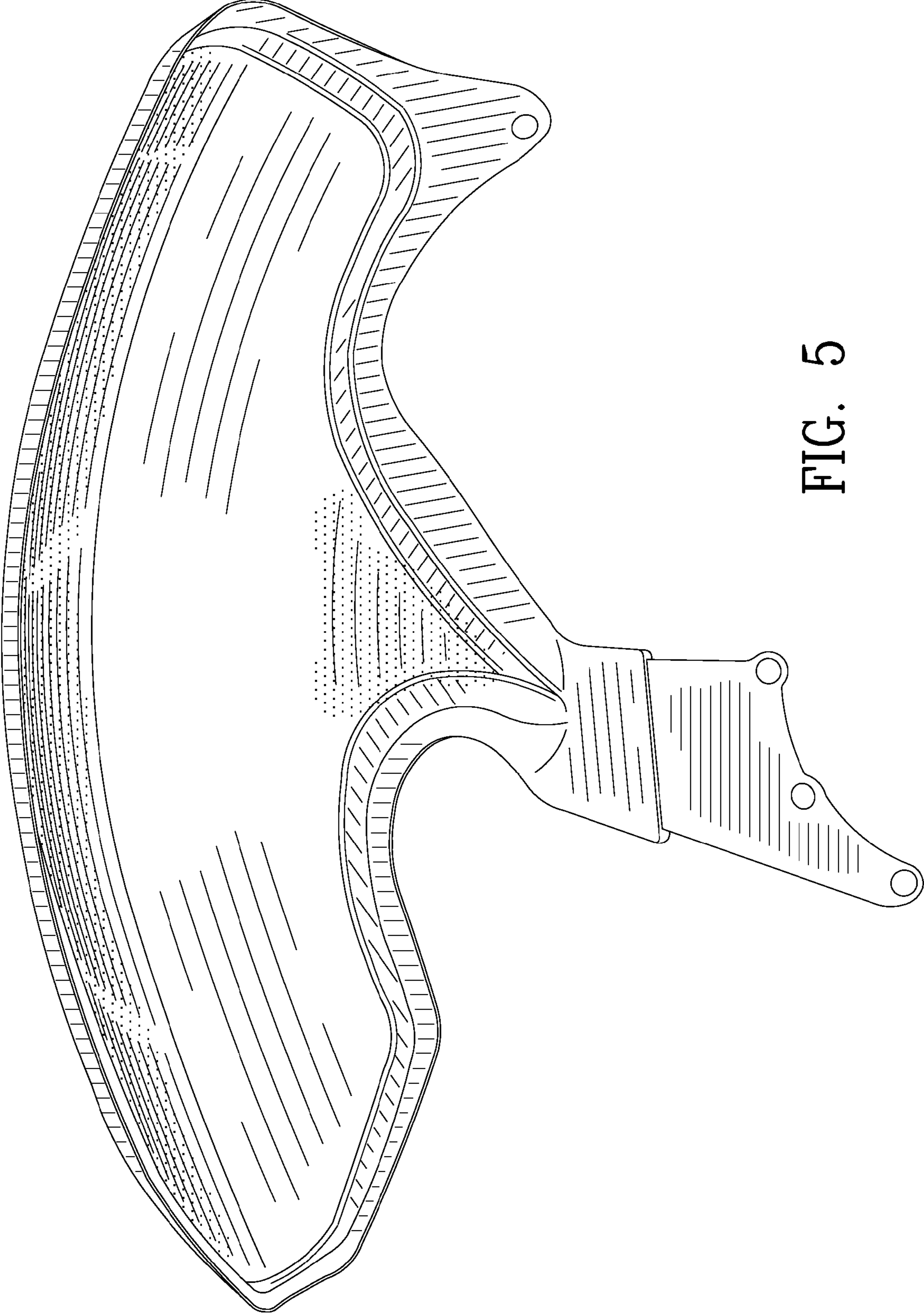


FIG. 5

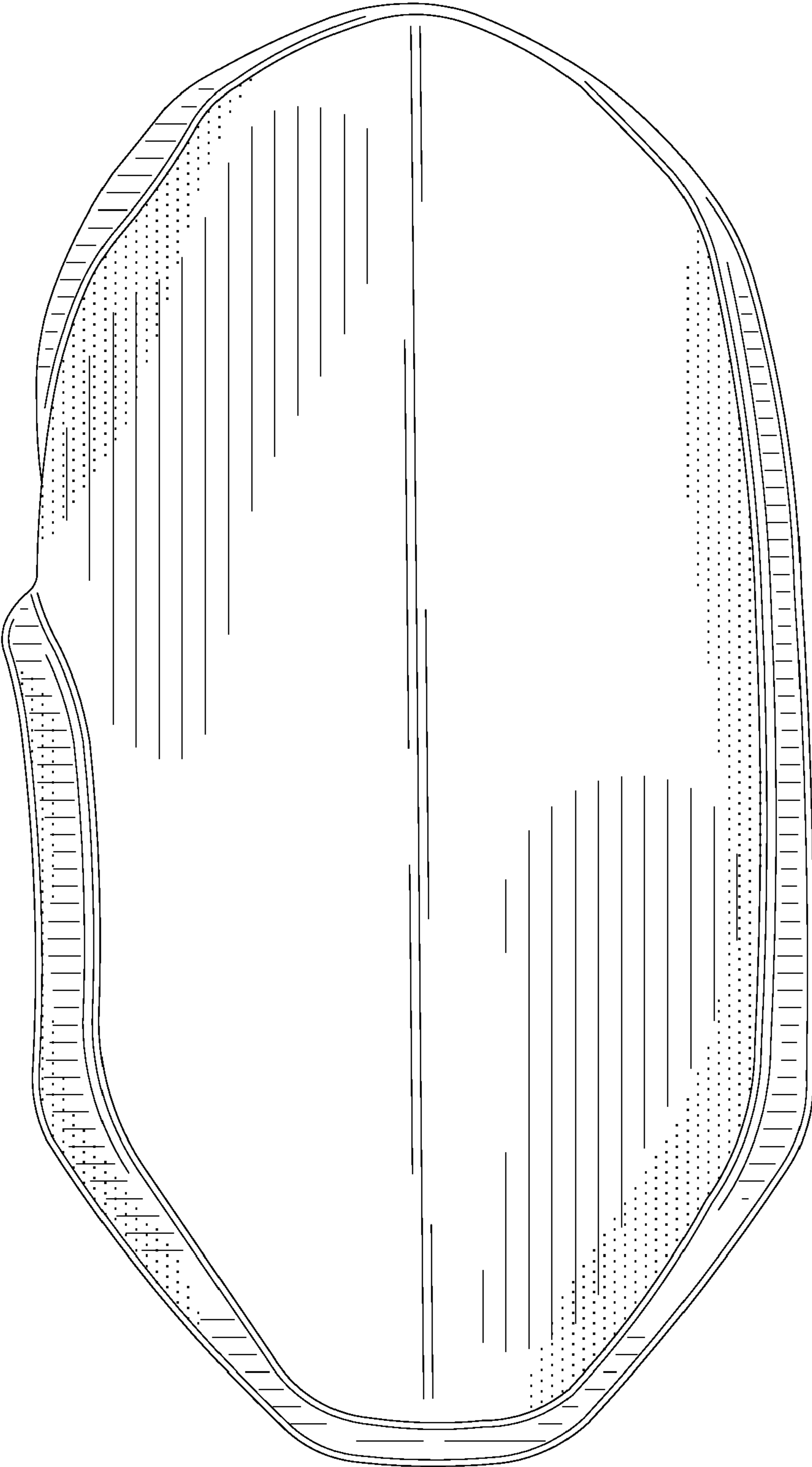


FIG. 6

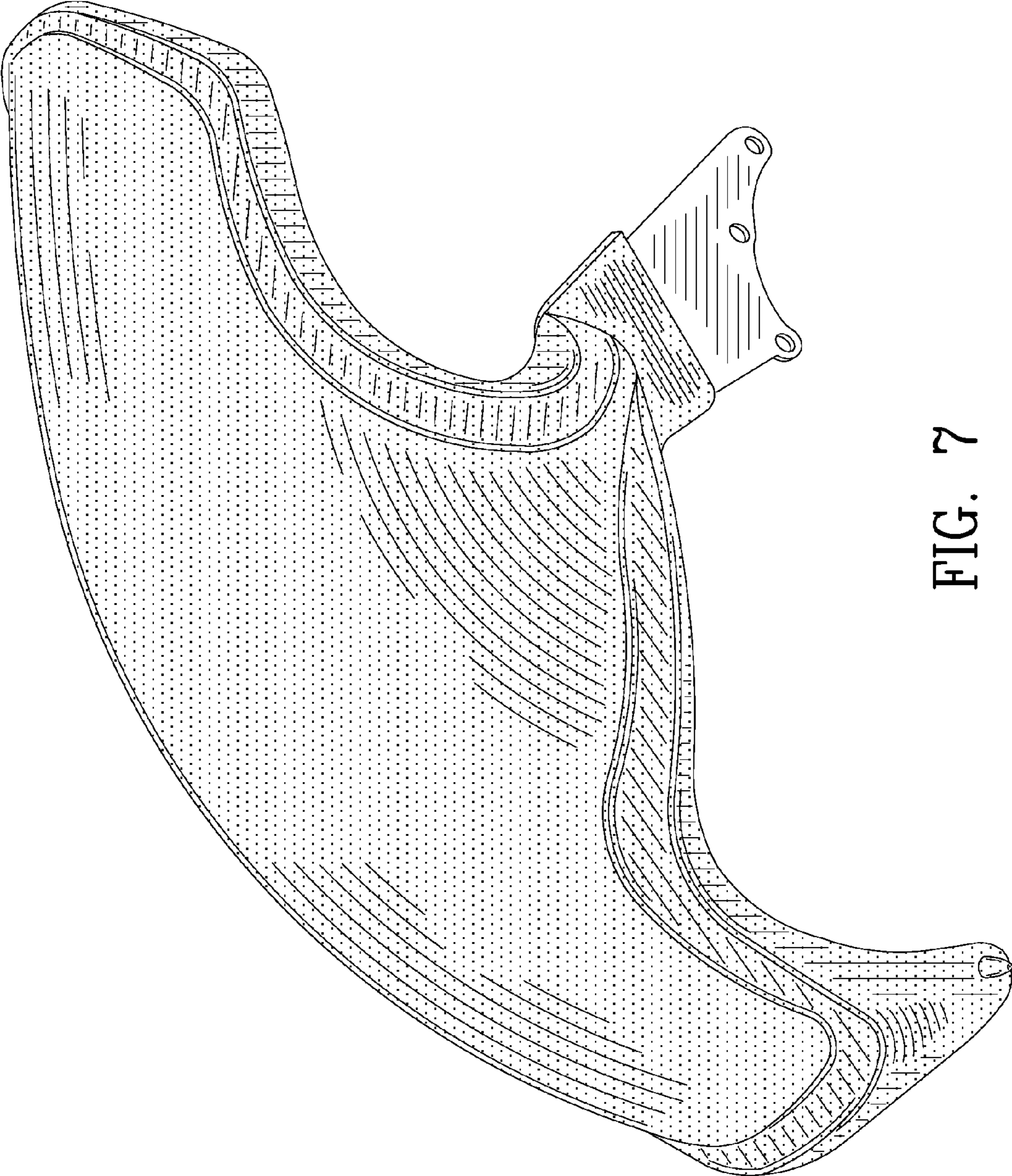


FIG. 7



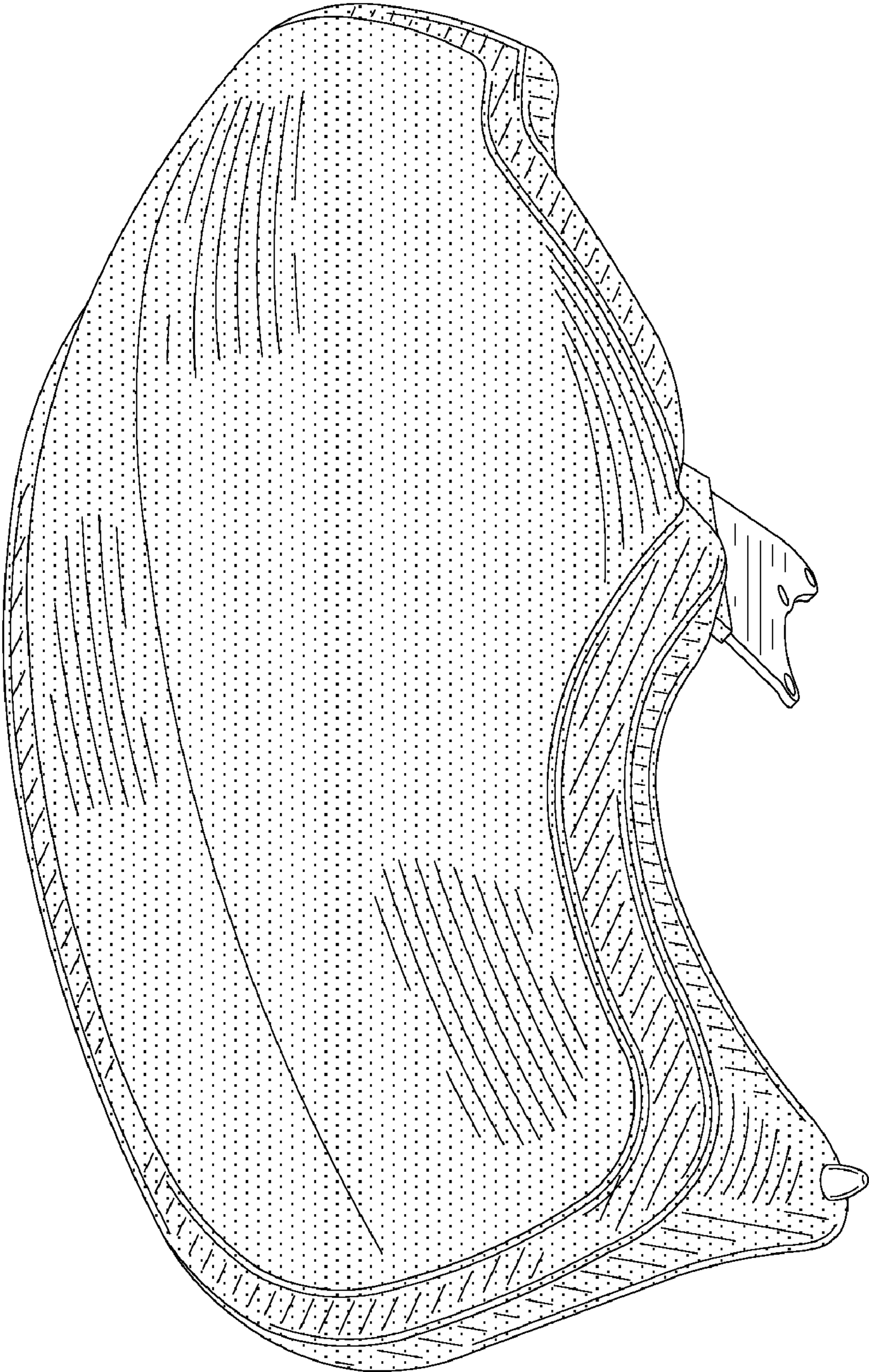


FIG. 8

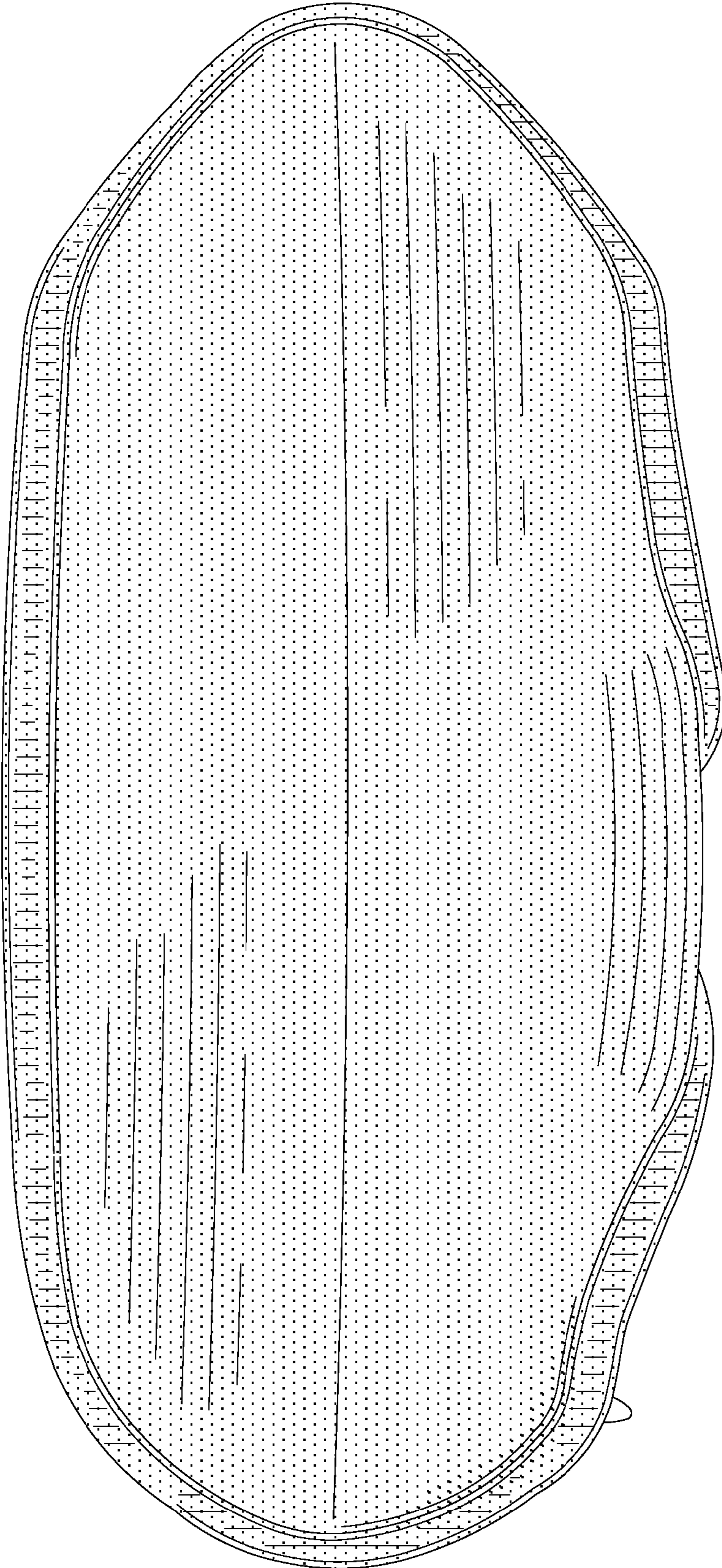


FIG. 9

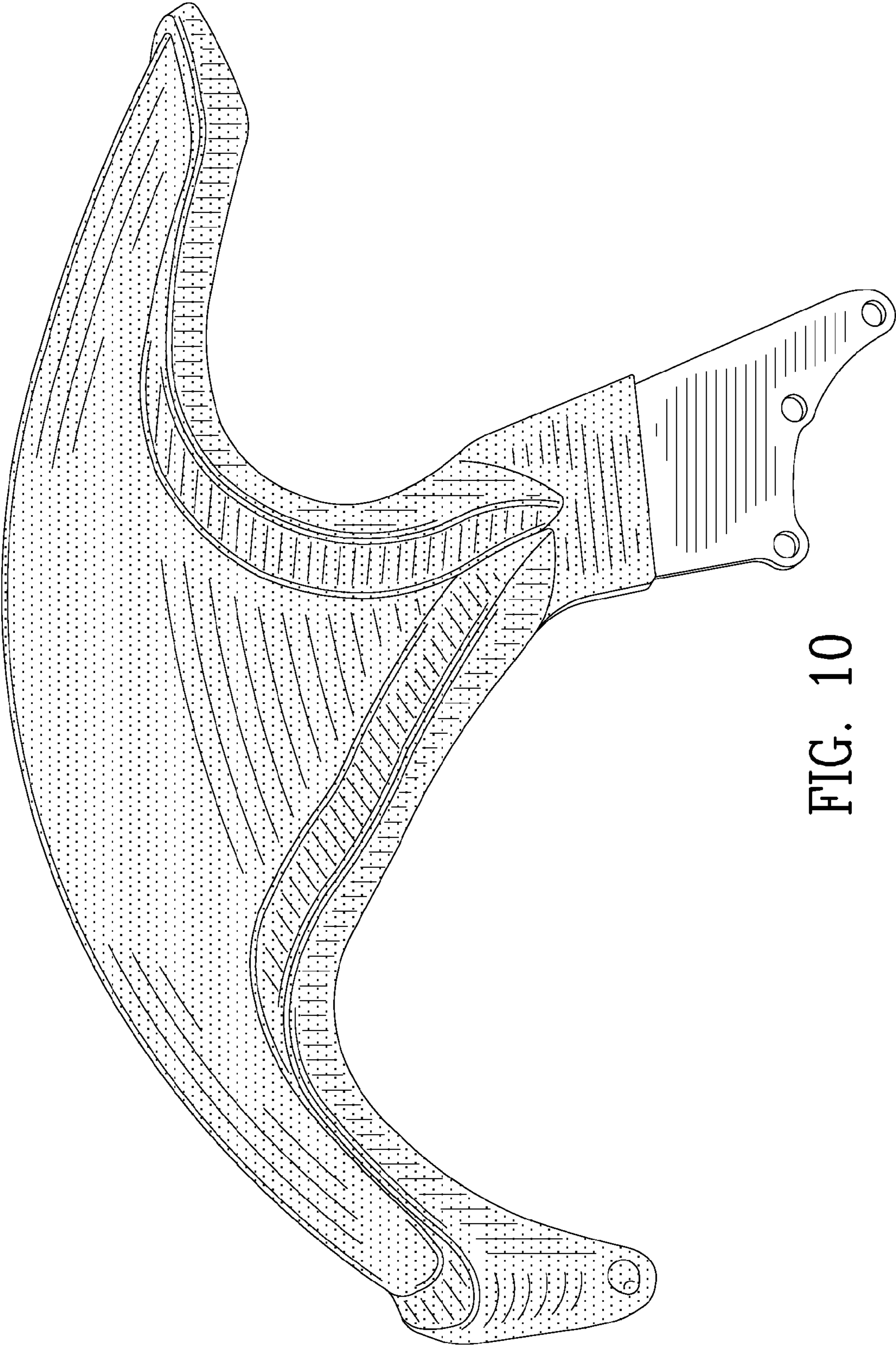


FIG. 10

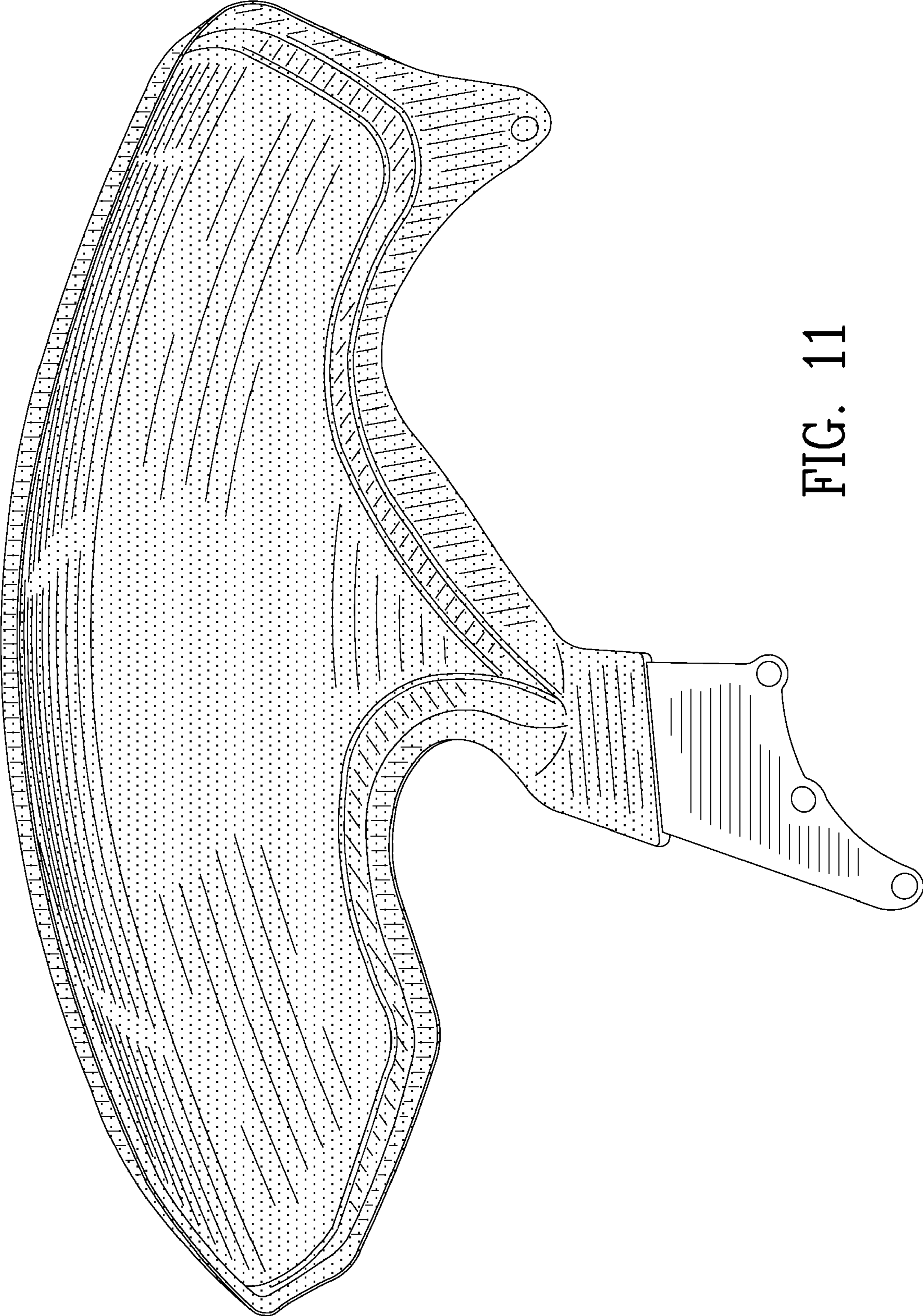


FIG. 11

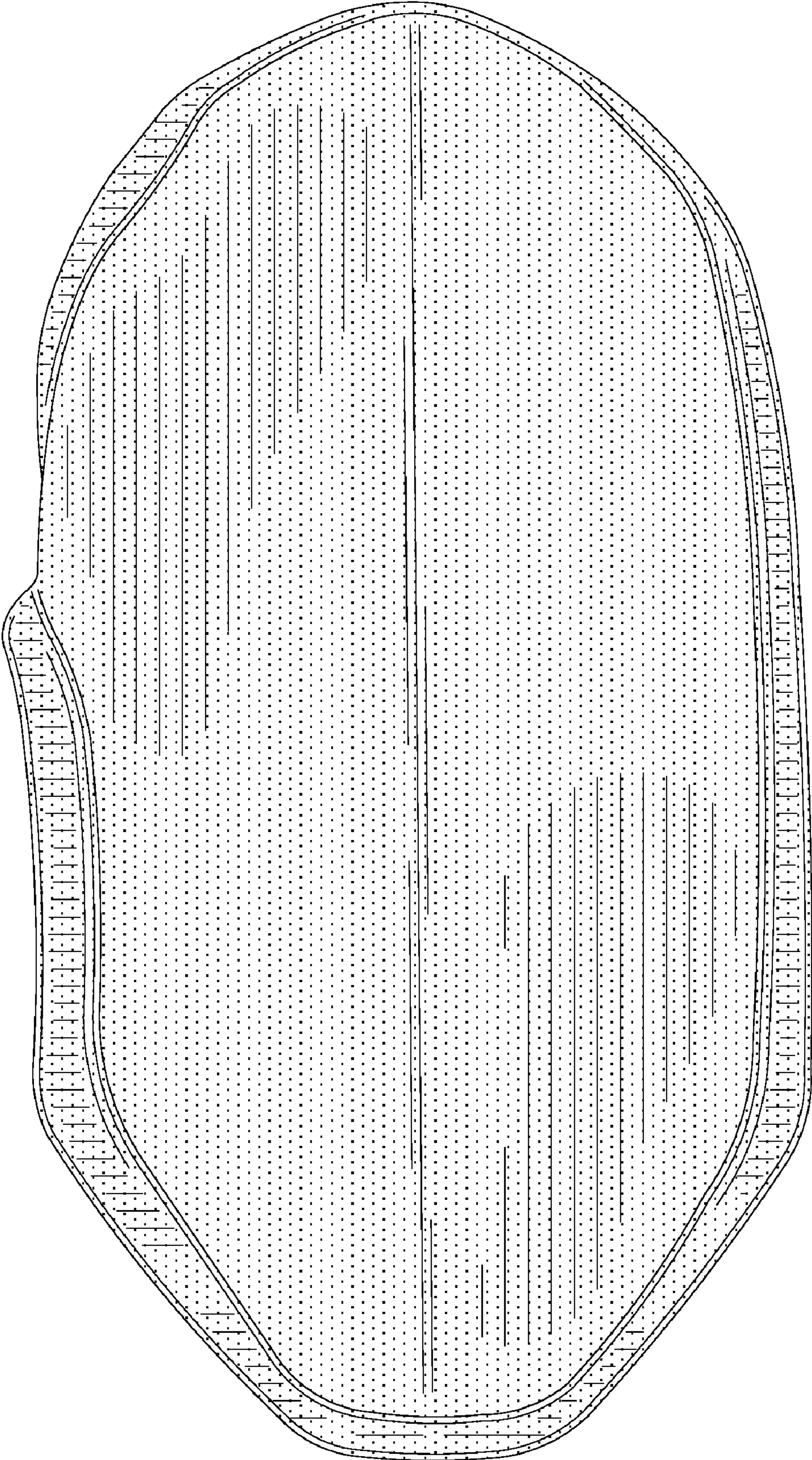


FIG. 12