

US00D627278S

(12) **United States Design Patent**
Komuro

(10) **Patent No.:** **US D627,278 S**

(45) **Date of Patent:** **** Nov. 16, 2010**

(54) **FRONT BUMPER FOR AUTOMOBILE**

D578,939 S * 10/2008 Tachibana D12/169
D579,386 S * 10/2008 Saridakis et al. D12/169
D605,096 S * 12/2009 Mueller D12/169

(75) Inventor: **Hideo Komuro**, London (GB)

* cited by examiner

(73) Assignee: **Nissan Jidosha Kabushiki Kaisha**,
Kanagawa-Ku, Yokohama-Shi (JP)

Primary Examiner—Melody N Brown

(**) Term: **14 Years**

(74) *Attorney, Agent, or Firm*—Fross Zelnick Lehrman &
Zissu, P.C.; Lawrence E. Apolzon, Esq.

(21) Appl. No.: **29/349,073**

(57) **CLAIM**

(22) Filed: **Mar. 4, 2010**

The ornamental design for a front bumper for automobile, as shown and described.

(30) **Foreign Application Priority Data**

Sep. 11, 2009 (JP) 2009-020971

DESCRIPTION

(51) **LOC (9) Cl.** **12-16**

FIG. 1 is a perspective view of the top, front, and right side of a front bumper for automobile showing my new design;

(52) **U.S. Cl.** **D12/169**

FIG. 2 is a front view thereof;

(58) **Field of Classification Search** D12/169,
D12/196, 90-92; 293/102, 105, 113, 115,
293/117, 120; 296/180.1, 180.2

FIG. 3 is a rear elevational view thereof;

See application file for complete search history.

FIG. 4 is a left side view thereof;

FIG. 5 is a right side view thereof;

(56) **References Cited**

U.S. PATENT DOCUMENTS

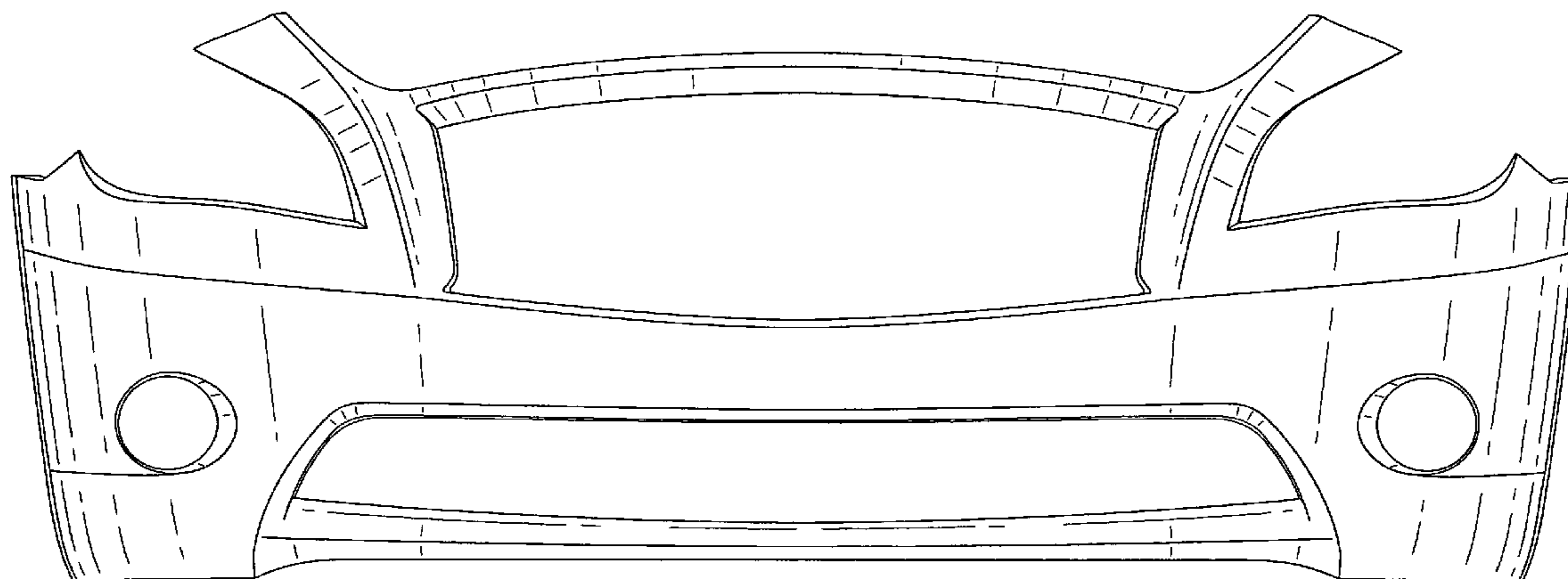
D419,932 S * 2/2000 Horbury et al. D12/169
D500,270 S * 12/2004 Otto et al. D12/169
D541,714 S * 5/2007 Kitou D12/169
D564,425 S * 3/2008 Okue D12/169
D573,925 S * 7/2008 Hayashi et al. D12/169

FIG. 6 is a top plan view thereof; and,

FIG. 7 is a bottom view thereof

The portions of the bumper shown in broken lines are for illustrative purposes only and form no part of the claimed design.

1 Claim, 6 Drawing Sheets



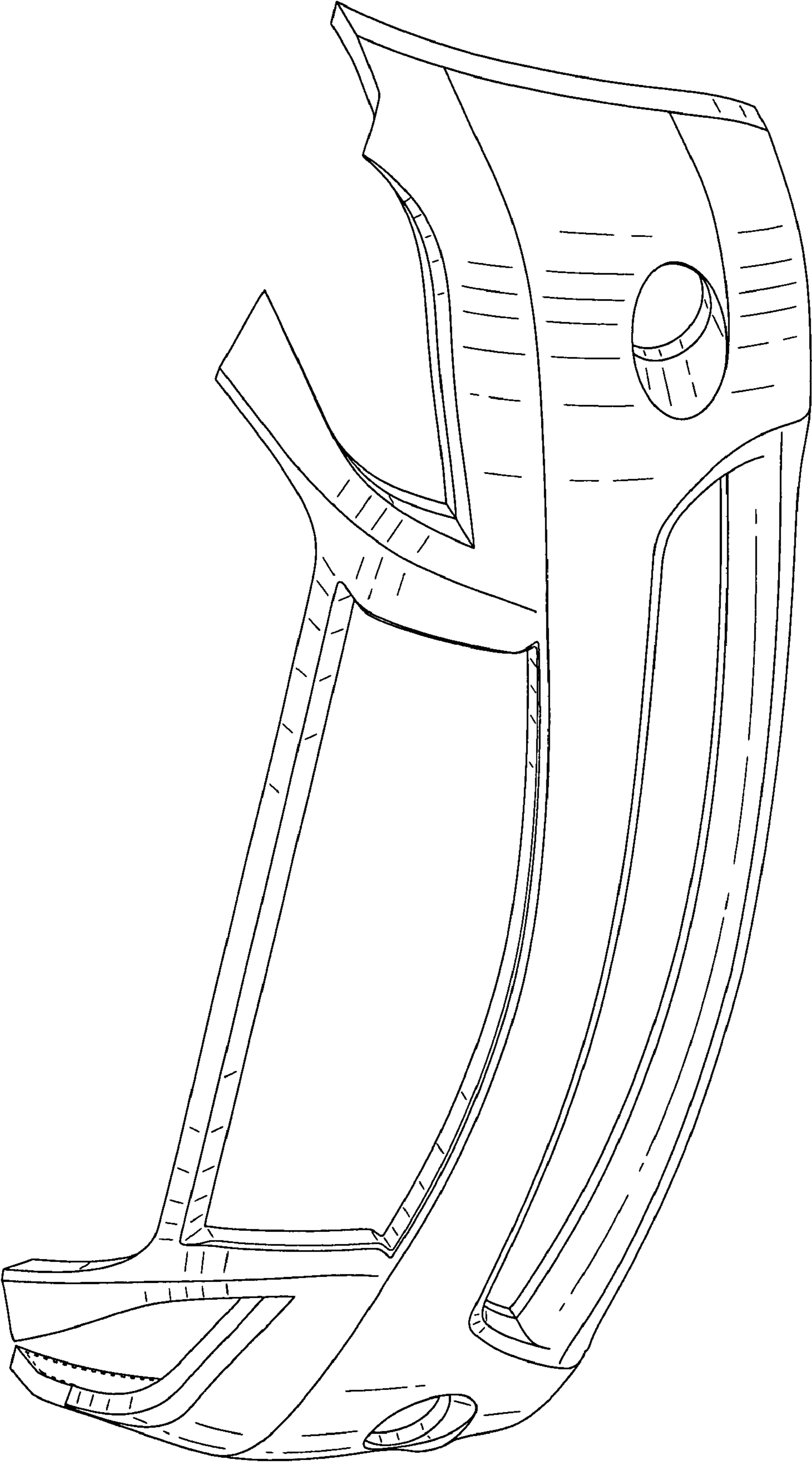


FIG. 1

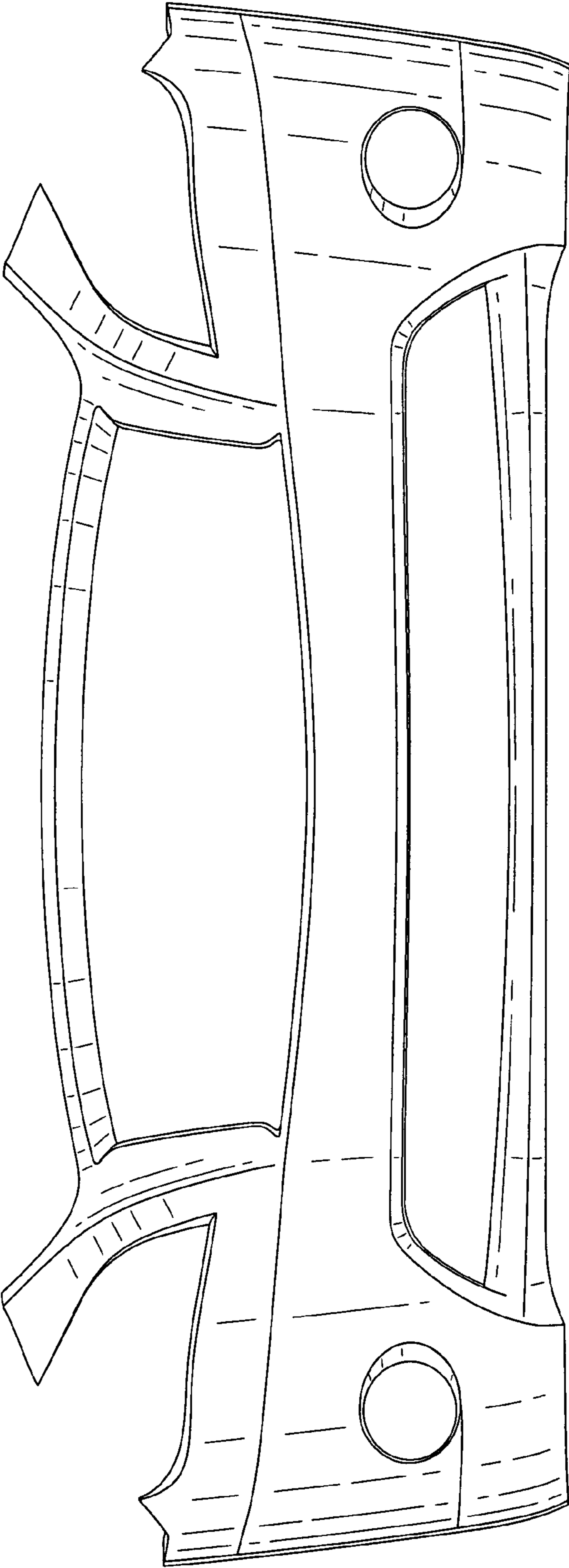


FIG. 2

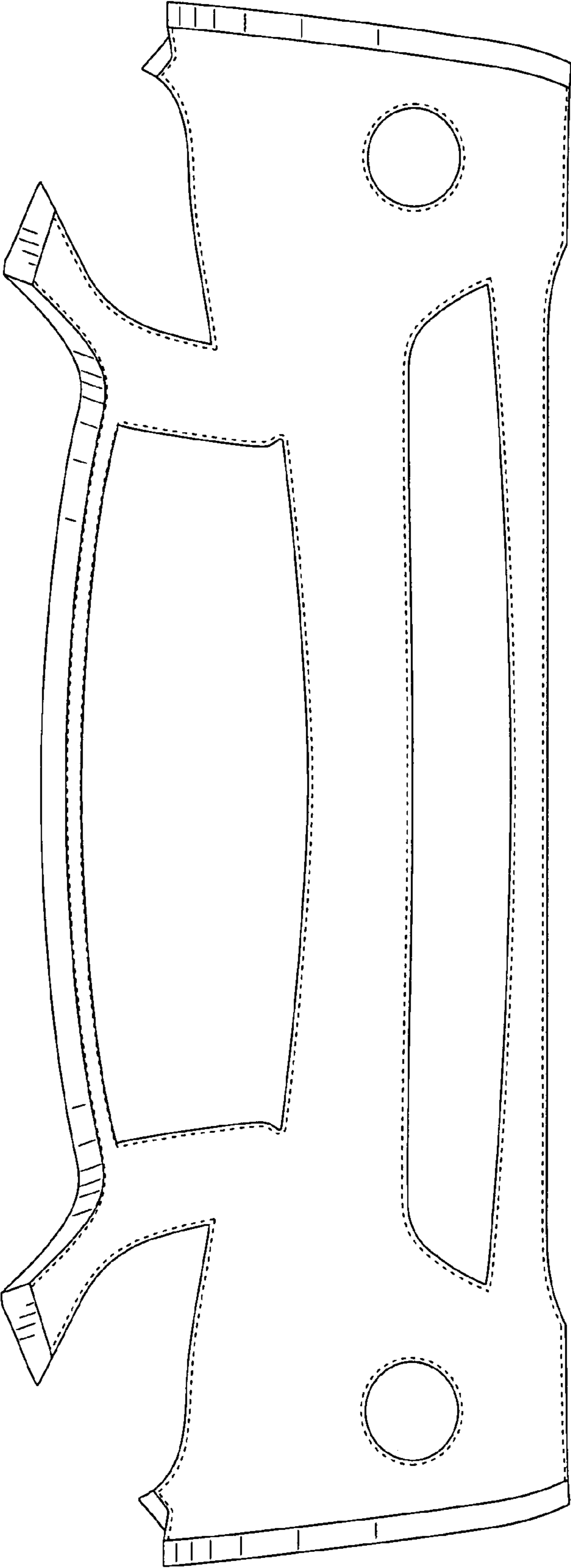


FIG. 3

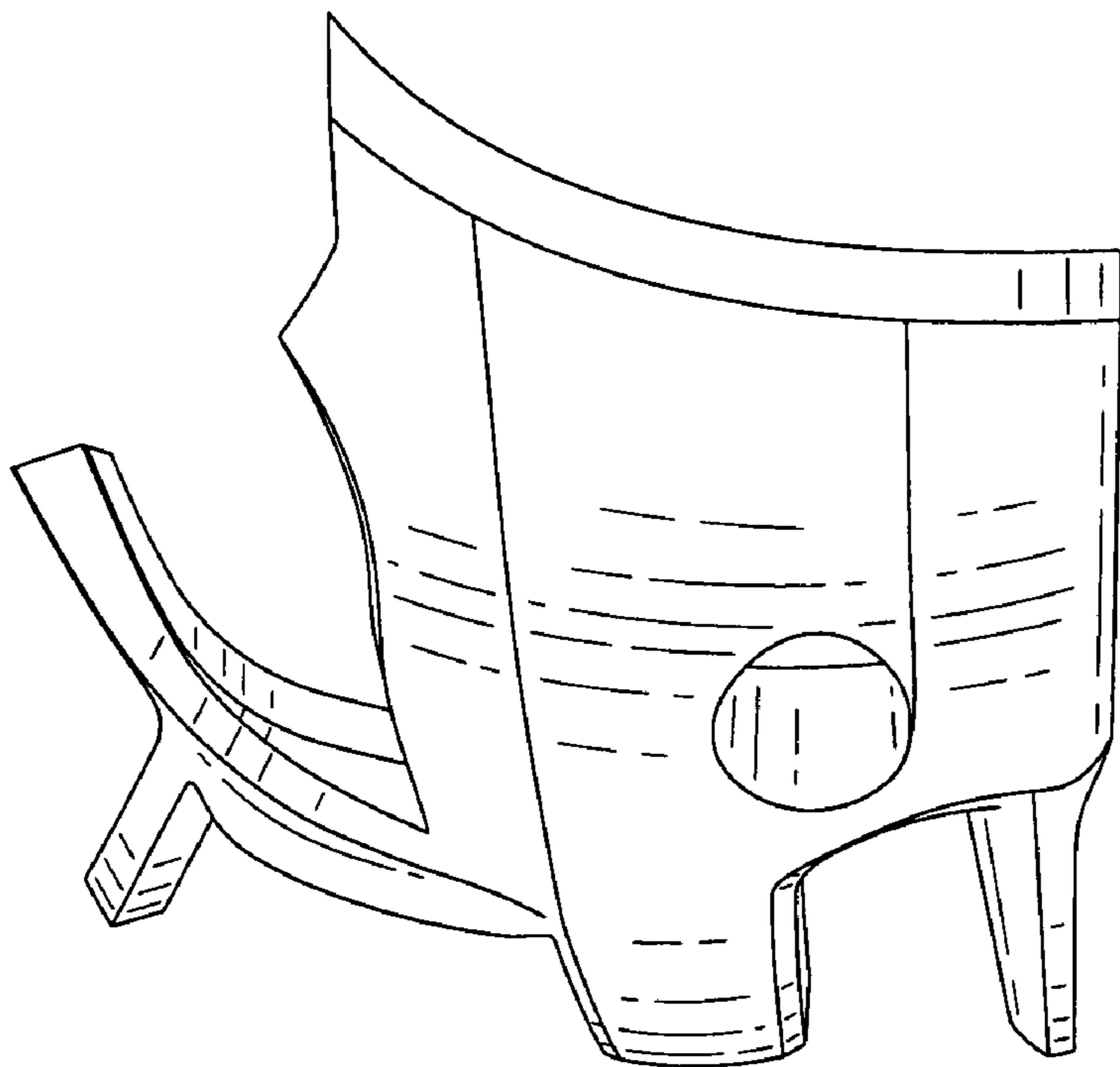


FIG. 5

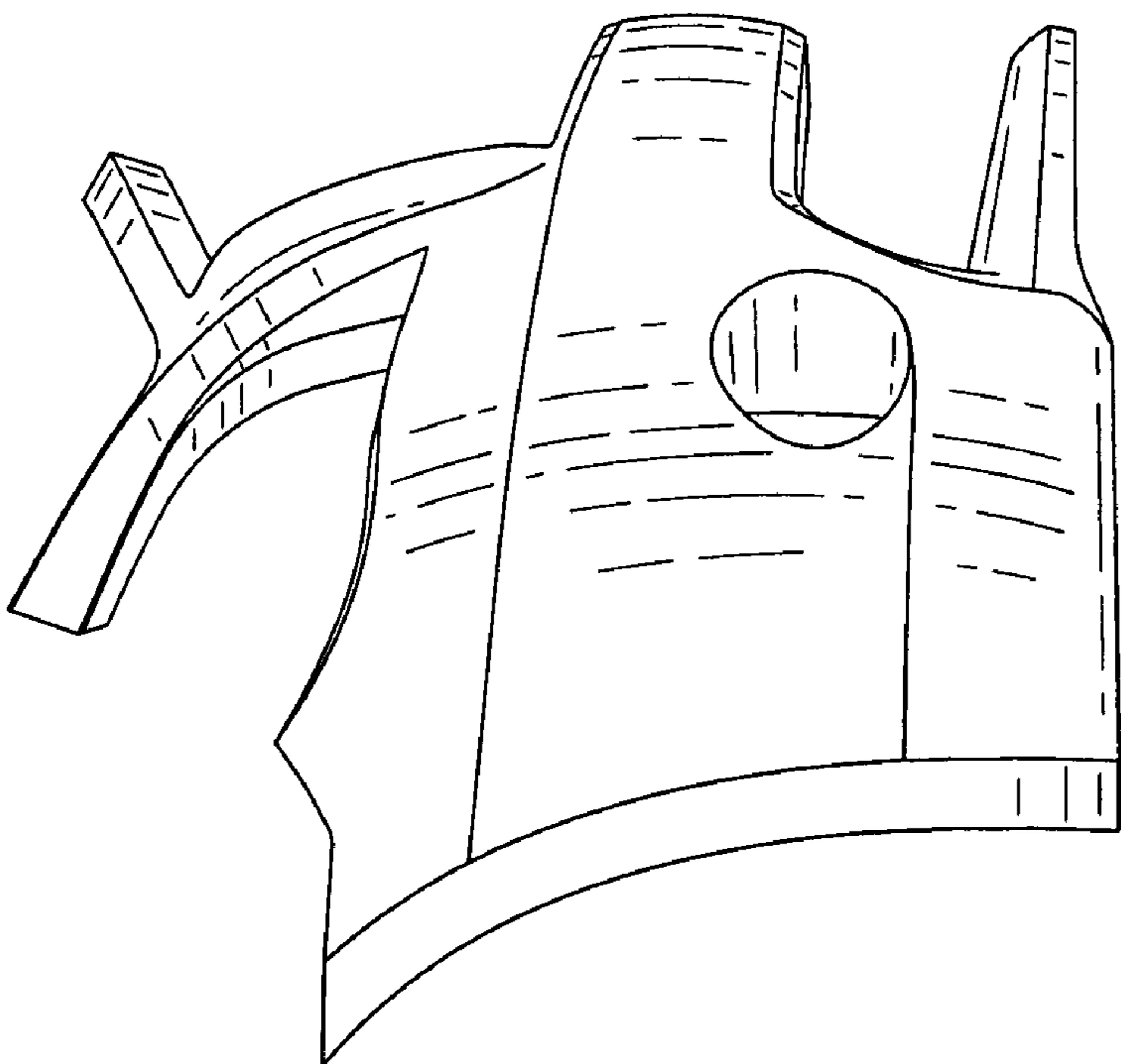


FIG. 4

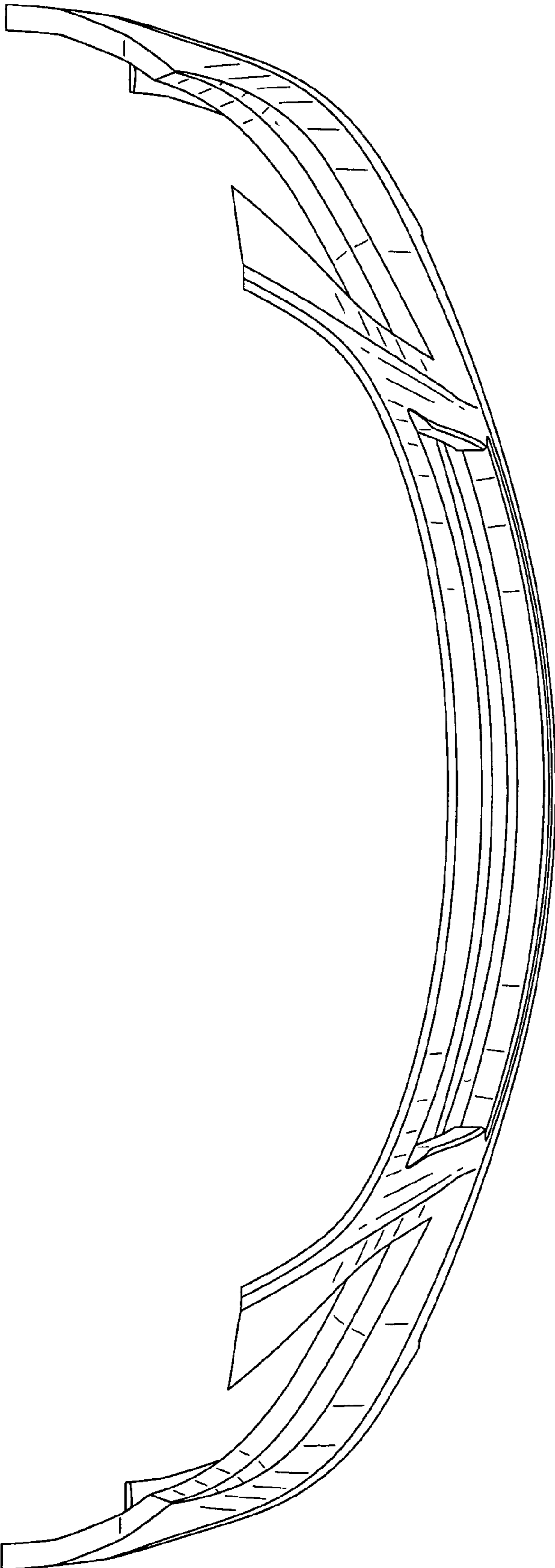


FIG. 6

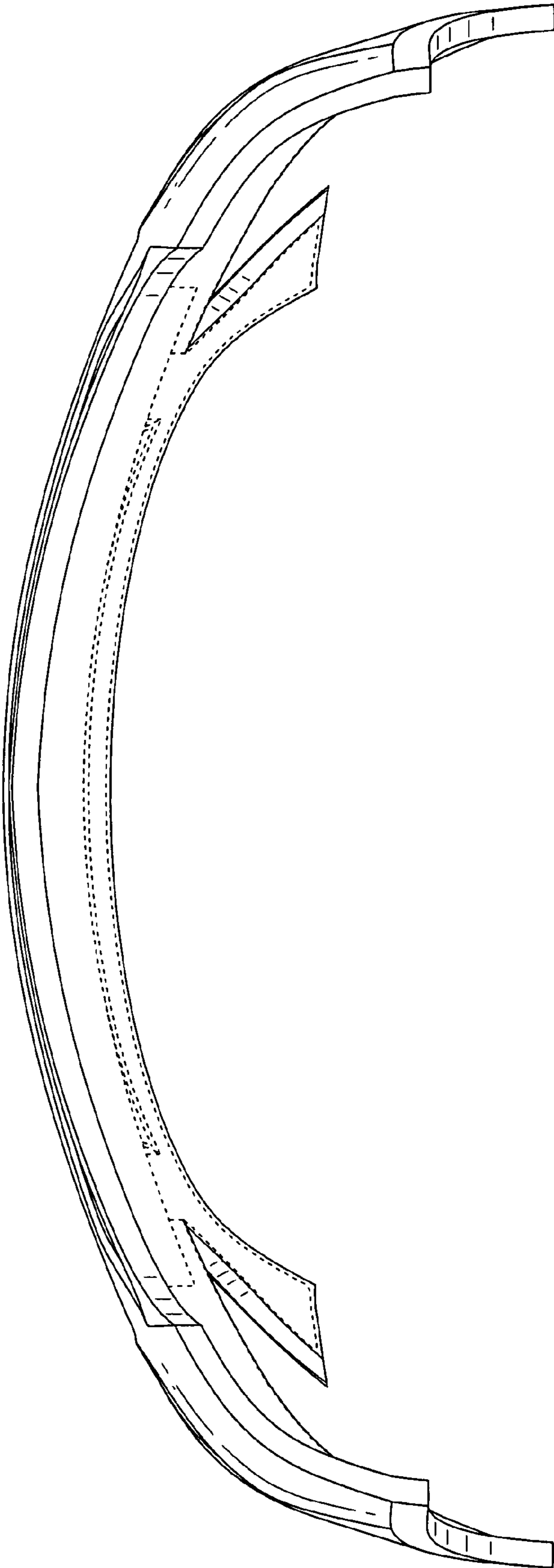


FIG. 7