



US00D627277S

(12) **United States Design Patent**
Cogswell

(10) **Patent No.:** **US D627,277 S**
(45) **Date of Patent:** **** Nov. 16, 2010**

(54) **FRONT BUMPER FOR AUTOMOBILE**

FOREIGN PATENT DOCUMENTS

(75) Inventor: **Marc Cogswell**, San Diego, CA (US)

JP 1209185 6/2004
JP 1212997 8/2004

(73) Assignee: **Nissan Jidosha Kabushiki Kaisha**,
Kanagawa-Ku, Yokohama-Shi (JP)

OTHER PUBLICATIONS

(**) Term: **14 Years**

U.S. Appl. No. 29/348,201, filed Dec. 9, 2009; first named inventor:
Taisuke Nakamura et al.

(21) Appl. No.: **29/348,691**

* cited by examiner

(22) Filed: **Jan. 27, 2010**

Primary Examiner—Melody N Brown

(30) **Foreign Application Priority Data**

(74) *Attorney, Agent, or Firm*—Fross Zelnick Lehrman &
Zissu, P.C.; Lawrence E. Apolzon, Esq.

Jul. 28, 2009 (JP) 2009-017091

(57) **CLAIM**

(51) **LOC (9) Cl.** **12-16**

The ornamental design for a front bumper for automobile, as
shown and described.

(52) **U.S. Cl.** **D12/169**

(58) **Field of Classification Search** D12/169,
D12/196, 171, 216, 86, 90–92; 180/102,
180/113, 115, 117, 120; 296/180.1, 180.2
See application file for complete search history.

DESCRIPTION

FIG. 1 is a perspective view of the front, right side and top
plan of a front bumper for automobile showing my new
design;

(56) **References Cited**

U.S. PATENT DOCUMENTS

D499,987 S 12/2004 Yanase et al.
D522,938 S * 6/2006 Iwanaga D12/169
D537,391 S * 2/2007 Shimoguchi et al. D12/169
D557,185 S * 12/2007 Janik et al. D12/169
D563,843 S * 3/2008 Kido et al. D12/169
D565,482 S * 4/2008 Abe D12/169
D606,912 S * 12/2009 Sahs D12/169
D609,143 S * 2/2010 Krugger et al. D12/169
D615,465 S * 5/2010 Fujiwara et al. D12/169

FIG. 2 is a front view thereof;

FIG. 3 is a rear side view thereof;

FIG. 4 is a left side view thereof;

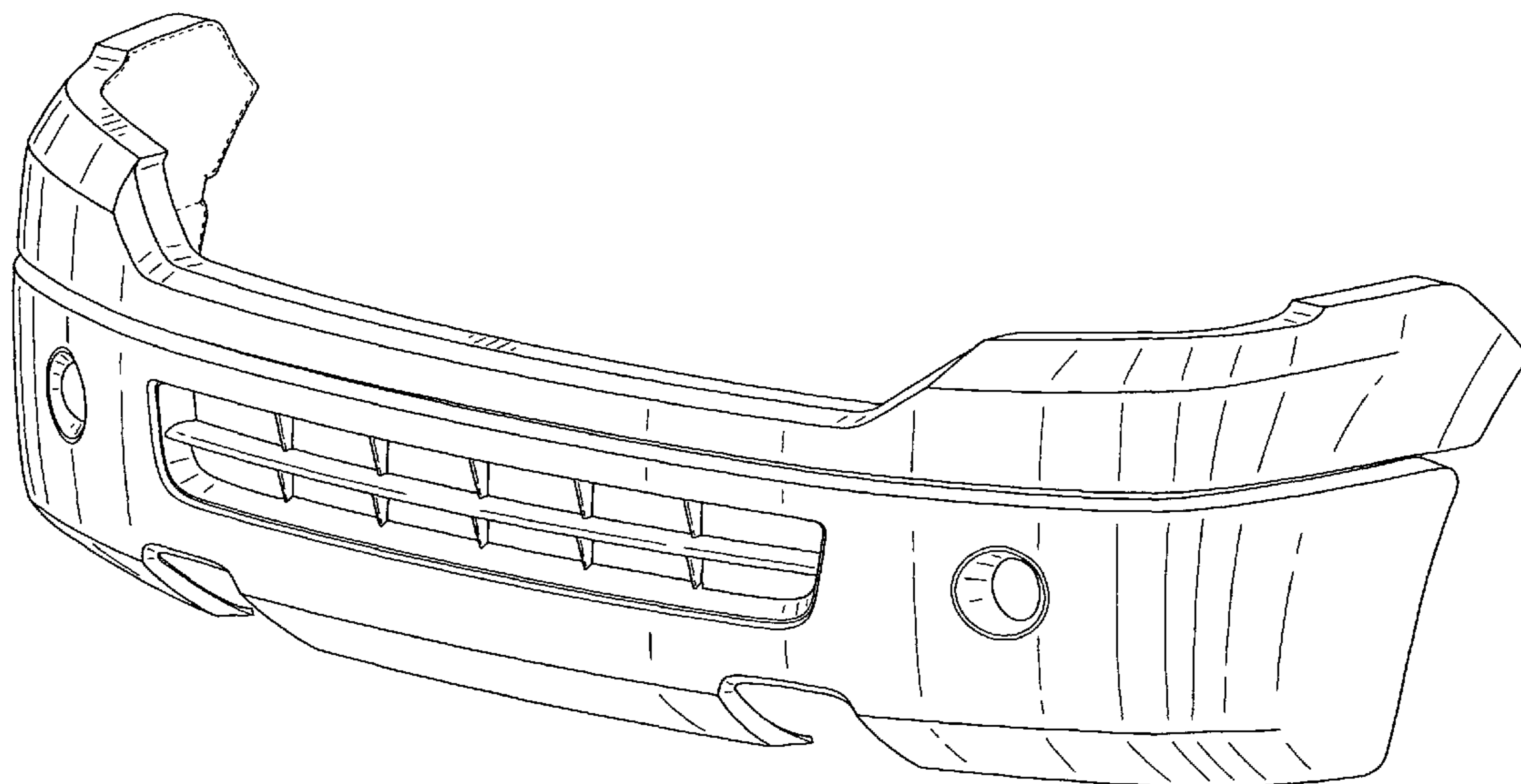
FIG. 5 is a right side view thereof;

FIG. 6 is a top plan view thereof; and,

FIG. 7 is a bottom view thereof.

The portions shown in broken lines are for illustrative pur-
poses only and form no part of the claimed design.

1 Claim, 6 Drawing Sheets



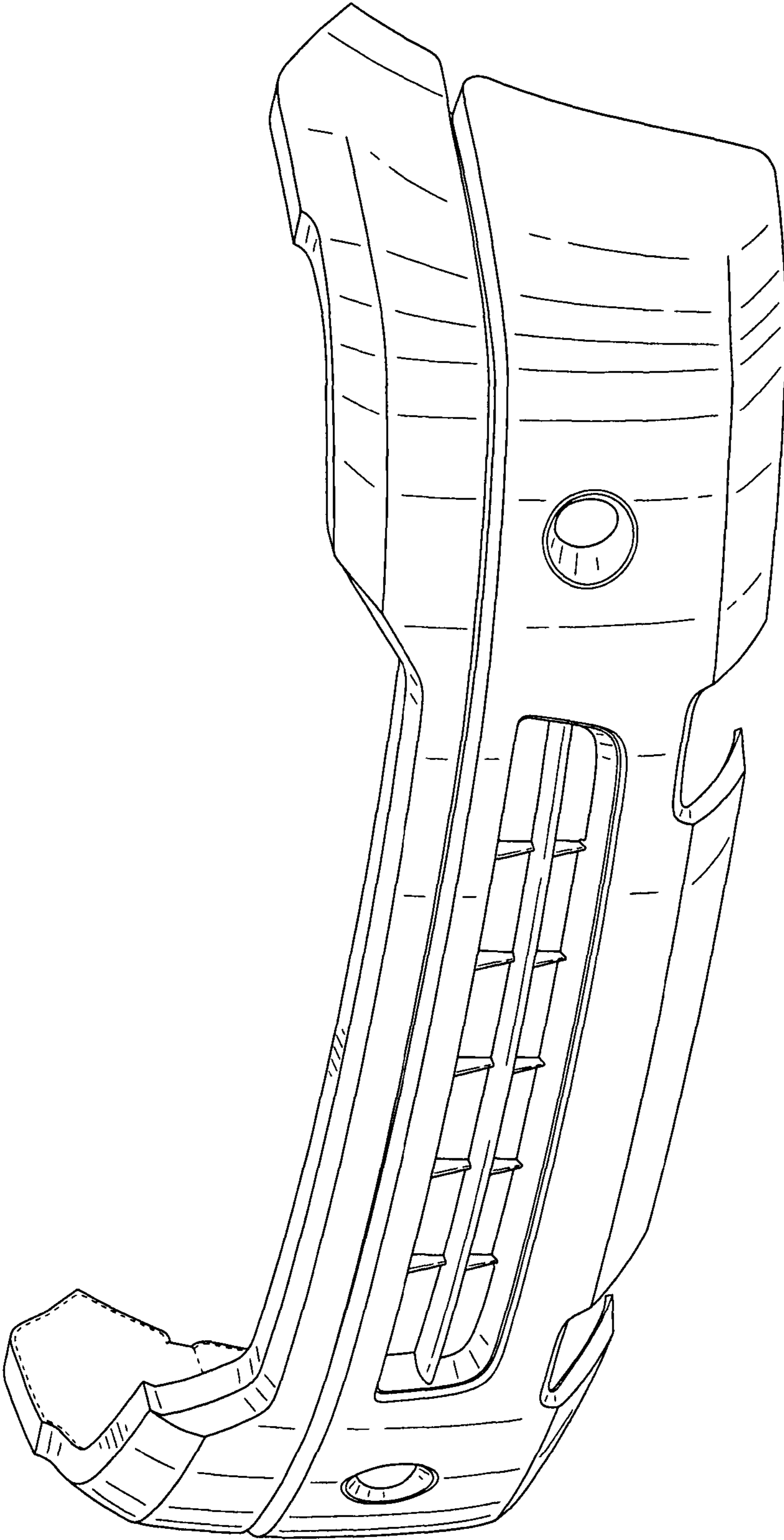


FIG. 1

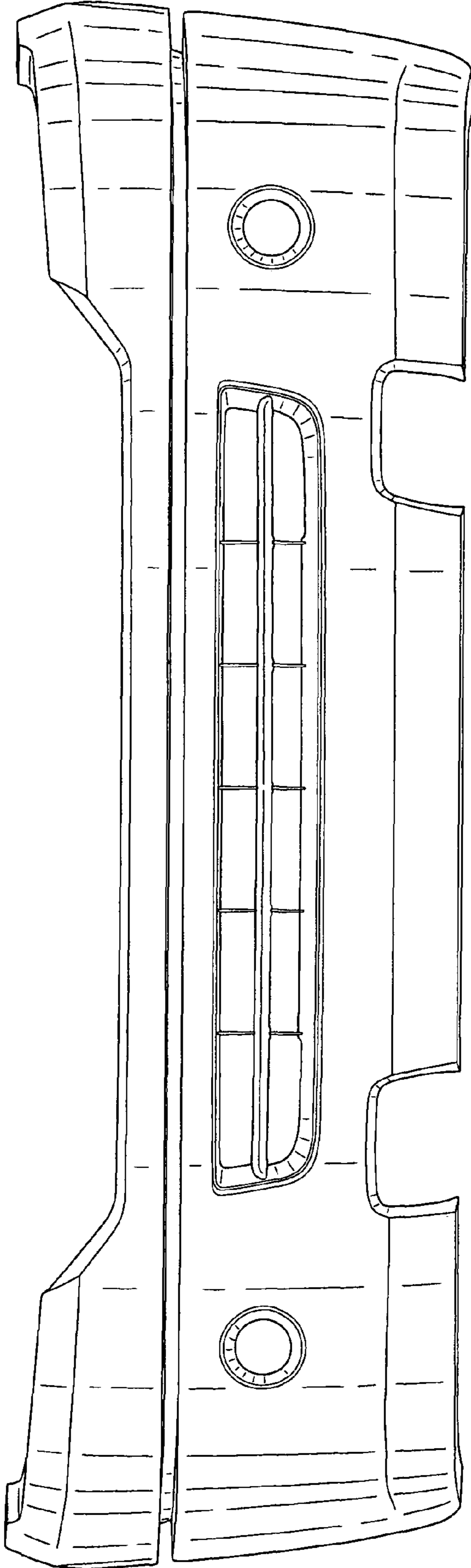


FIG. 2

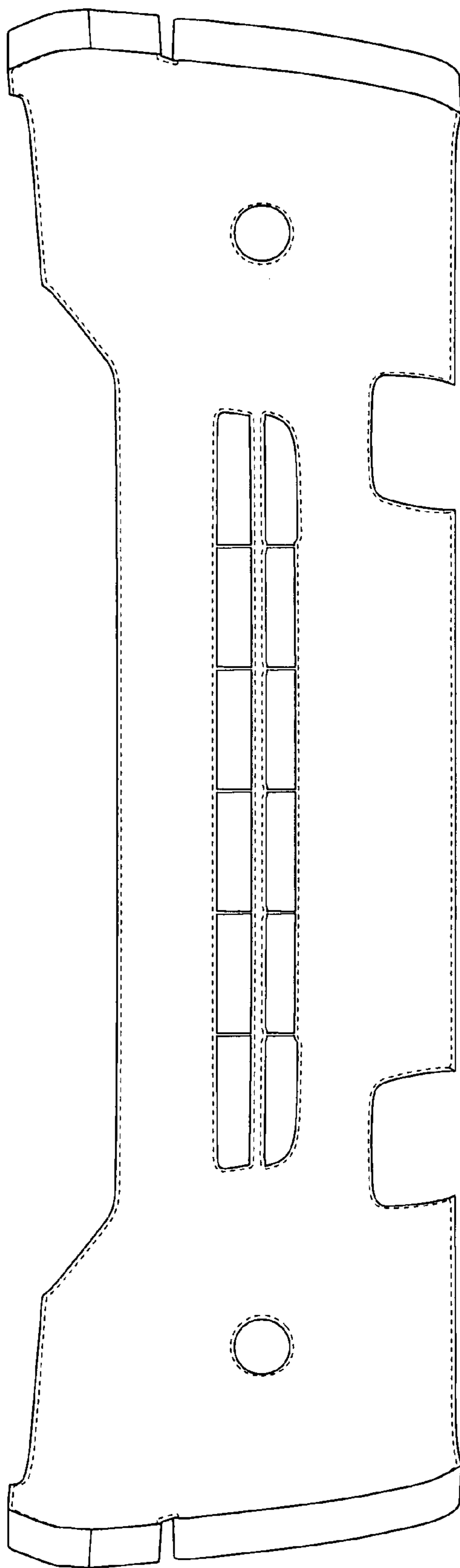


FIG. 3

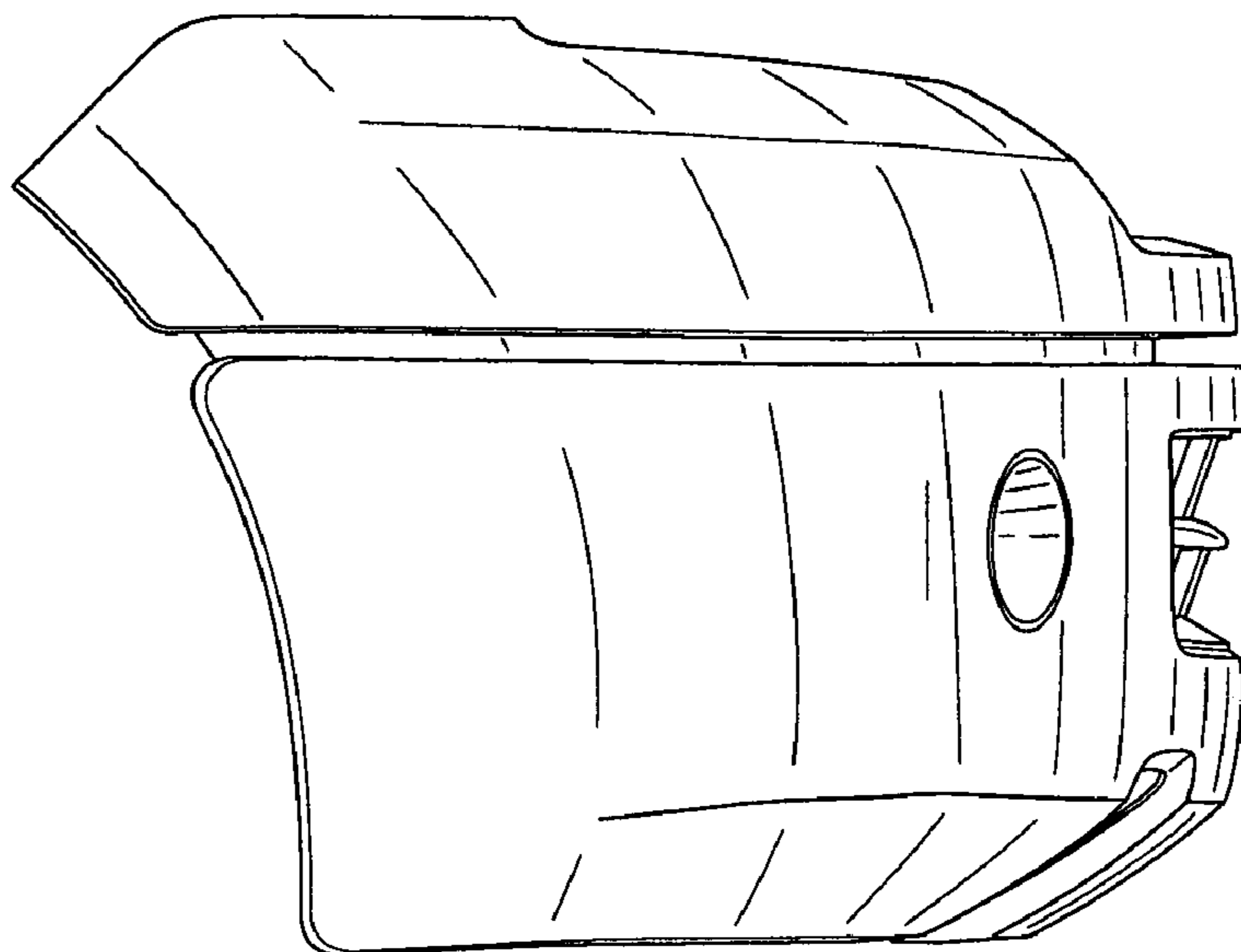


FIG. 4

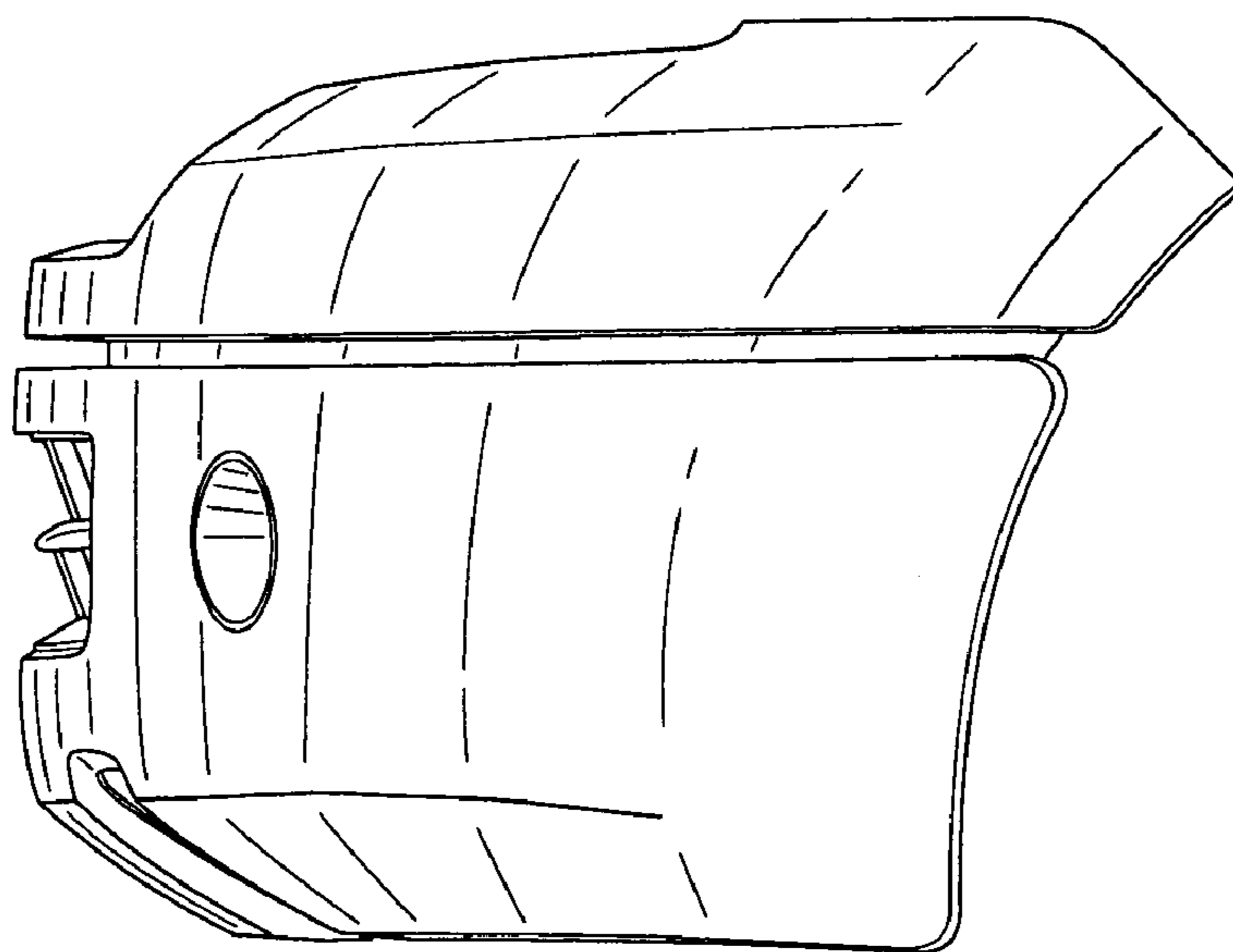


FIG. 5

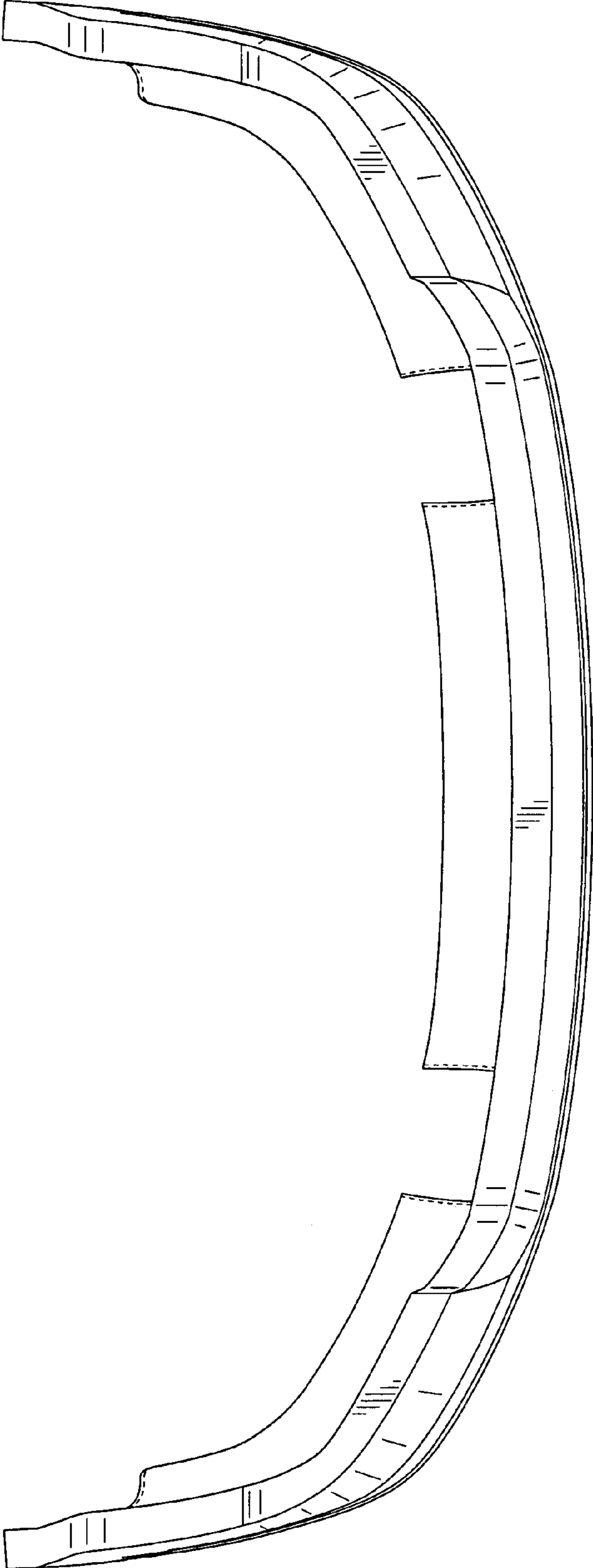


FIG. 6

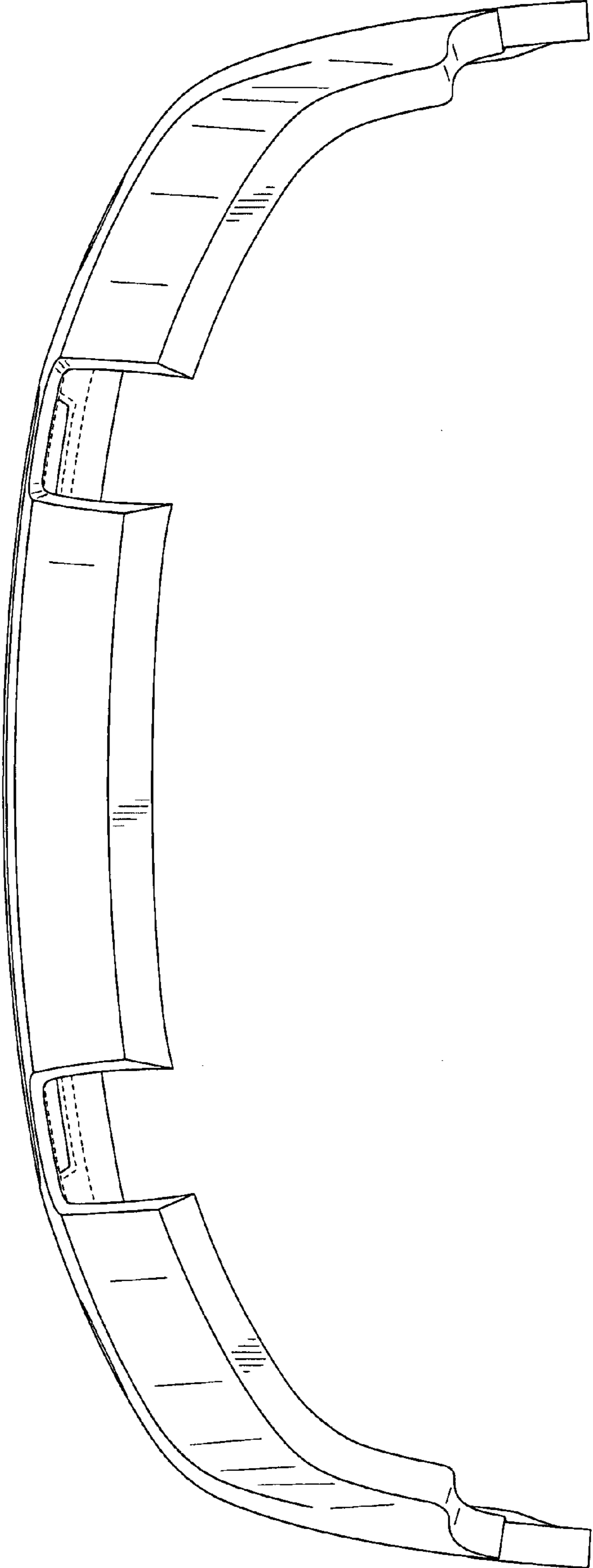


FIG. 7