



US00D627271S

(12) **United States Design Patent**
Knopf

(10) **Patent No.:** **US D627,271 S**

(45) **Date of Patent:** **** Nov. 16, 2010**

(54) **WHEELCHAIR FRAME**

(75) Inventor: **Michael Knopf**, Dielheim (DE)

(73) Assignee: **Sunrise Medical HHG, Inc.**, Longmont, CO (US)

(**) Term: **14 Years**

(21) Appl. No.: **29/341,288**

(22) Filed: **Aug. 3, 2009**

(30) **Foreign Application Priority Data**

Feb. 3, 2009 (DM) 001080618

(51) **LOC (9) Cl.** **12-12**

(52) **U.S. Cl.** **D12/133; D12/131**

(58) **Field of Classification Search** D12/128-133;
280/62, 647-650, 29, 200, 47.38, 250.1,
280/259, 642, 658; 297/DIG. 4; 296/65.03,
296/65.04; 224/209; 414/921; 135/65-67,
135/74

See application file for complete search history.

(56) **References Cited**

U.S. PATENT DOCUMENTS

D344,702 S * 3/1994 Robertson et al. D12/133
D395,854 S * 7/1998 Hernandez et al. D12/131
D413,555 S * 9/1999 Hernandez et al. D12/133
D413,843 S * 9/1999 Dickie D12/133
D415,981 S * 11/1999 Dickie D12/133

D433,968 S * 11/2000 Mascari et al. D12/133
6,419,253 B1 * 7/2002 Mascari 280/250.1
7,192,042 B2 * 3/2007 Cerreto 280/250.1
7,249,777 B2 * 7/2007 Schreiber 280/250.1
D559,741 S * 1/2008 Lasher, III D12/133
7,360,781 B2 * 4/2008 Schreiber et al. 280/250.1
D588,051 S * 3/2009 Moller et al. D12/133
7,520,518 B2 * 4/2009 Peterson et al. 280/250.1

* cited by examiner

Primary Examiner—Ian Simmons

Assistant Examiner—Charles D Hanson

(74) *Attorney, Agent, or Firm*—MacMillan, Sobanski & Todd, LLC

(57) **CLAIM**

The ornamental design for a wheelchair frame, as shown and described.

DESCRIPTION

FIG. 1 is a perspective view of a wheelchair frame showing my new design;

FIG. 2 is a top elevational view thereof;

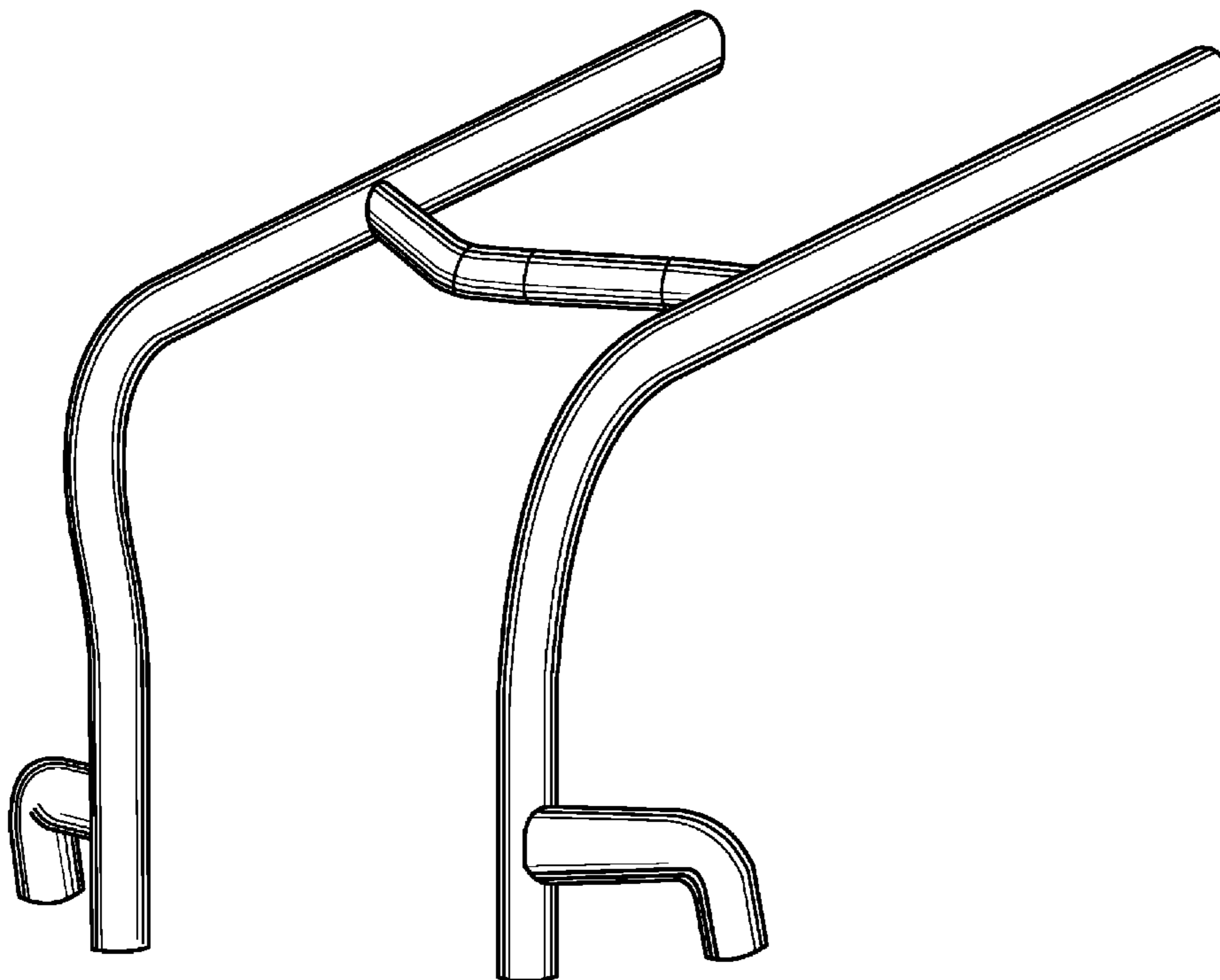
FIG. 3 is a rear elevational view thereof;

FIG. 4 is a bottom elevational view thereof;

FIG. 5 is a front elevational view thereof; and,

FIG. 6 is an enlarged view, in perspective, of the area indicated in FIG. 4.

1 Claim, 6 Drawing Sheets



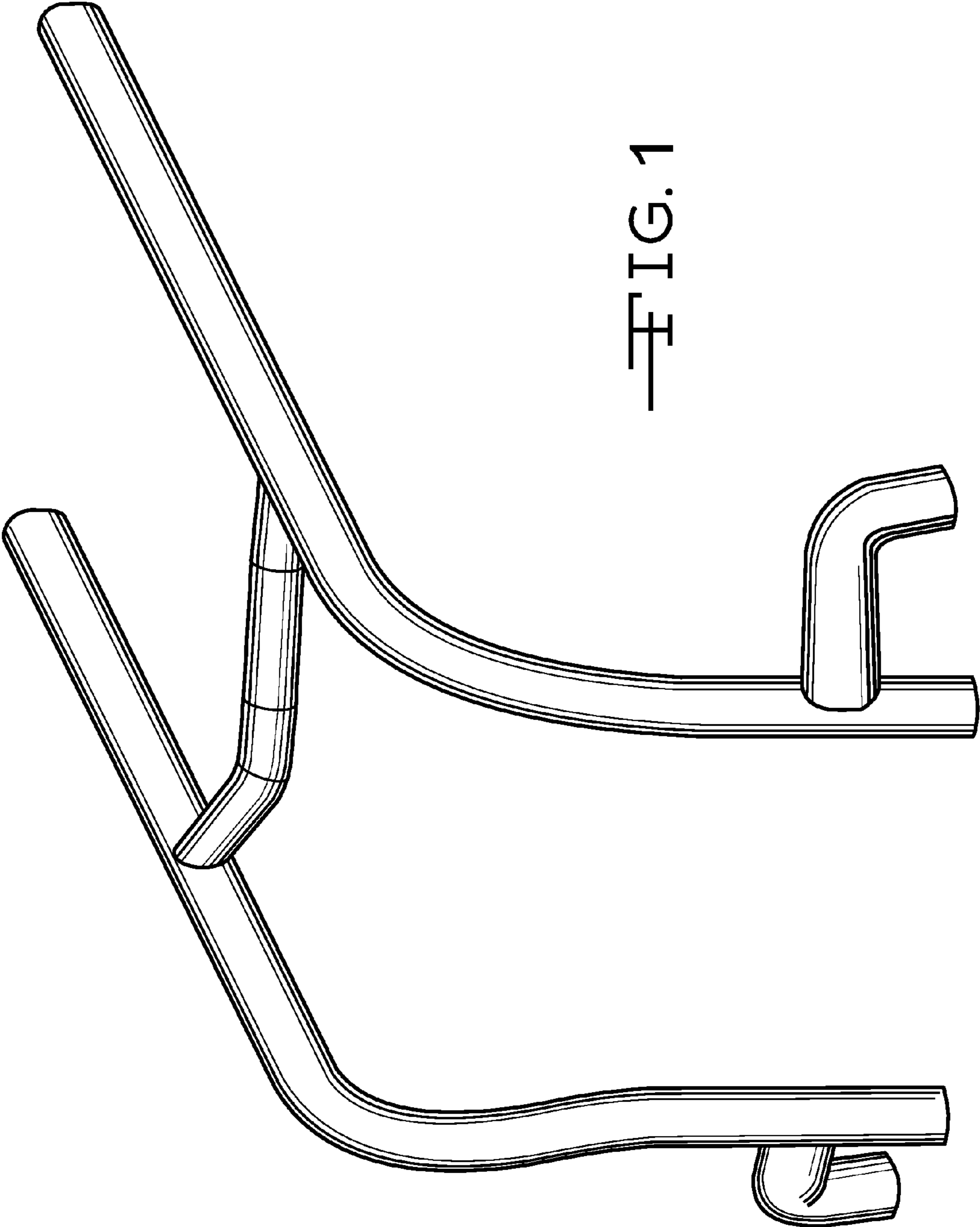
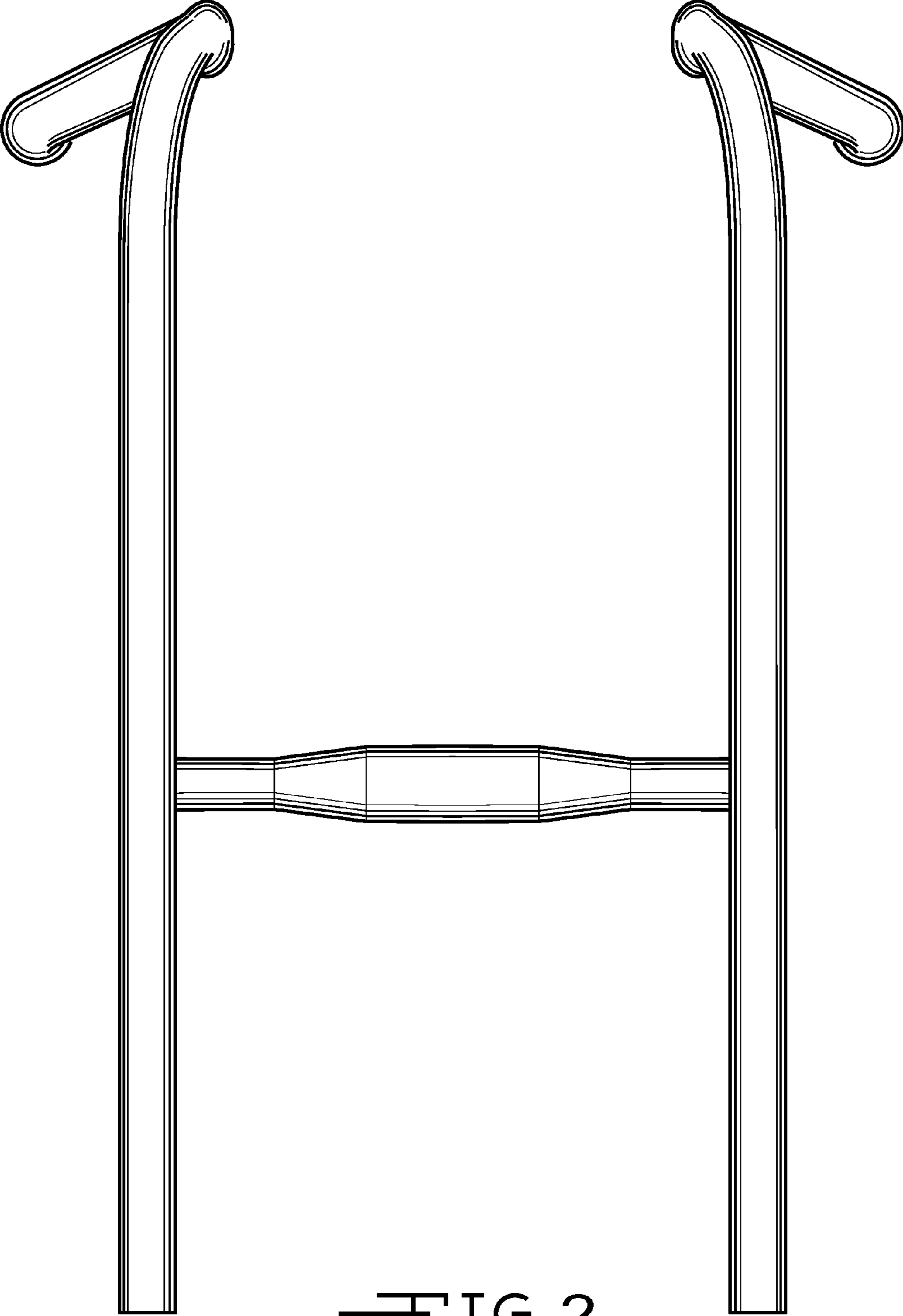


FIG. 1



—FIG. 2

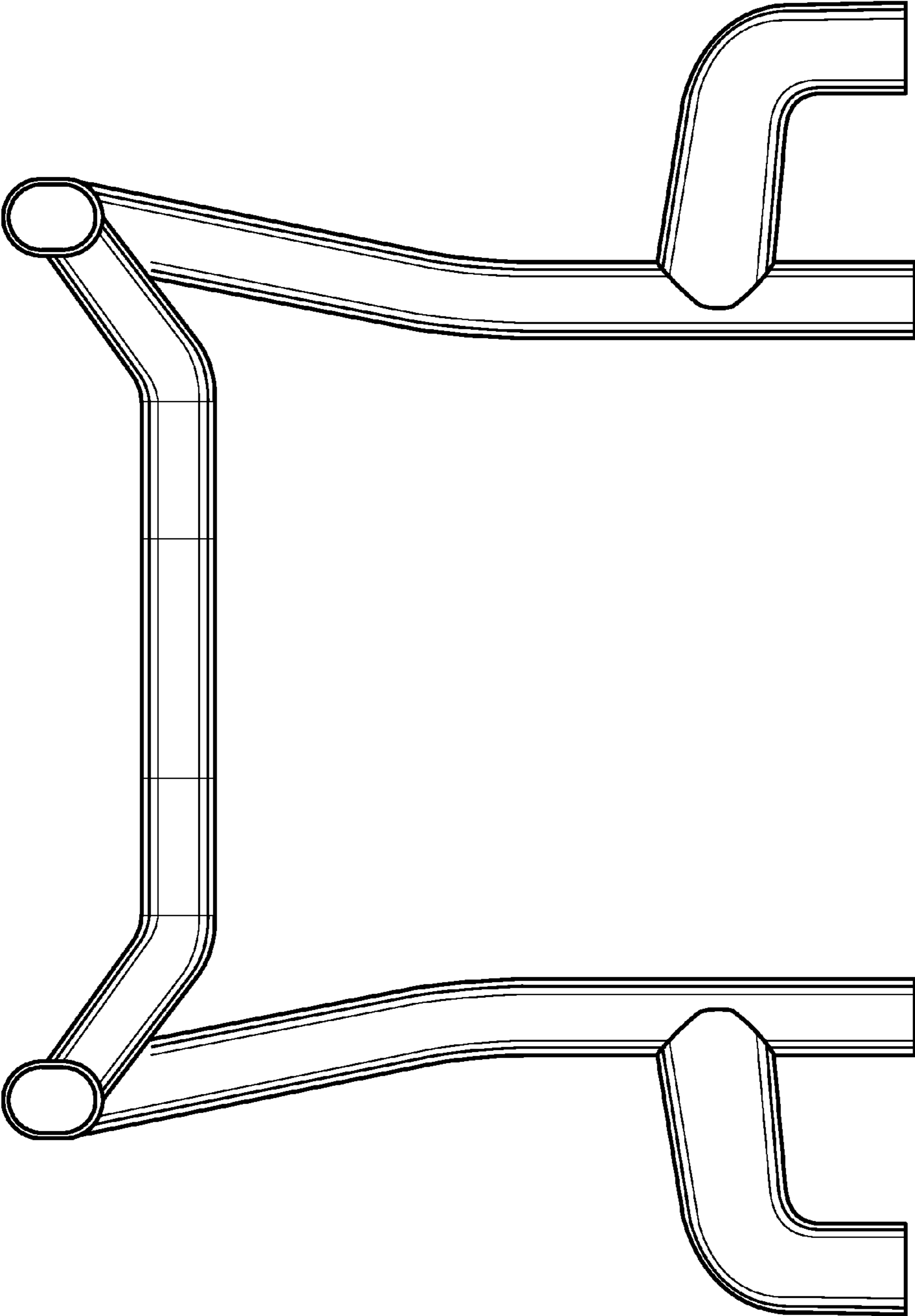


FIG. 3

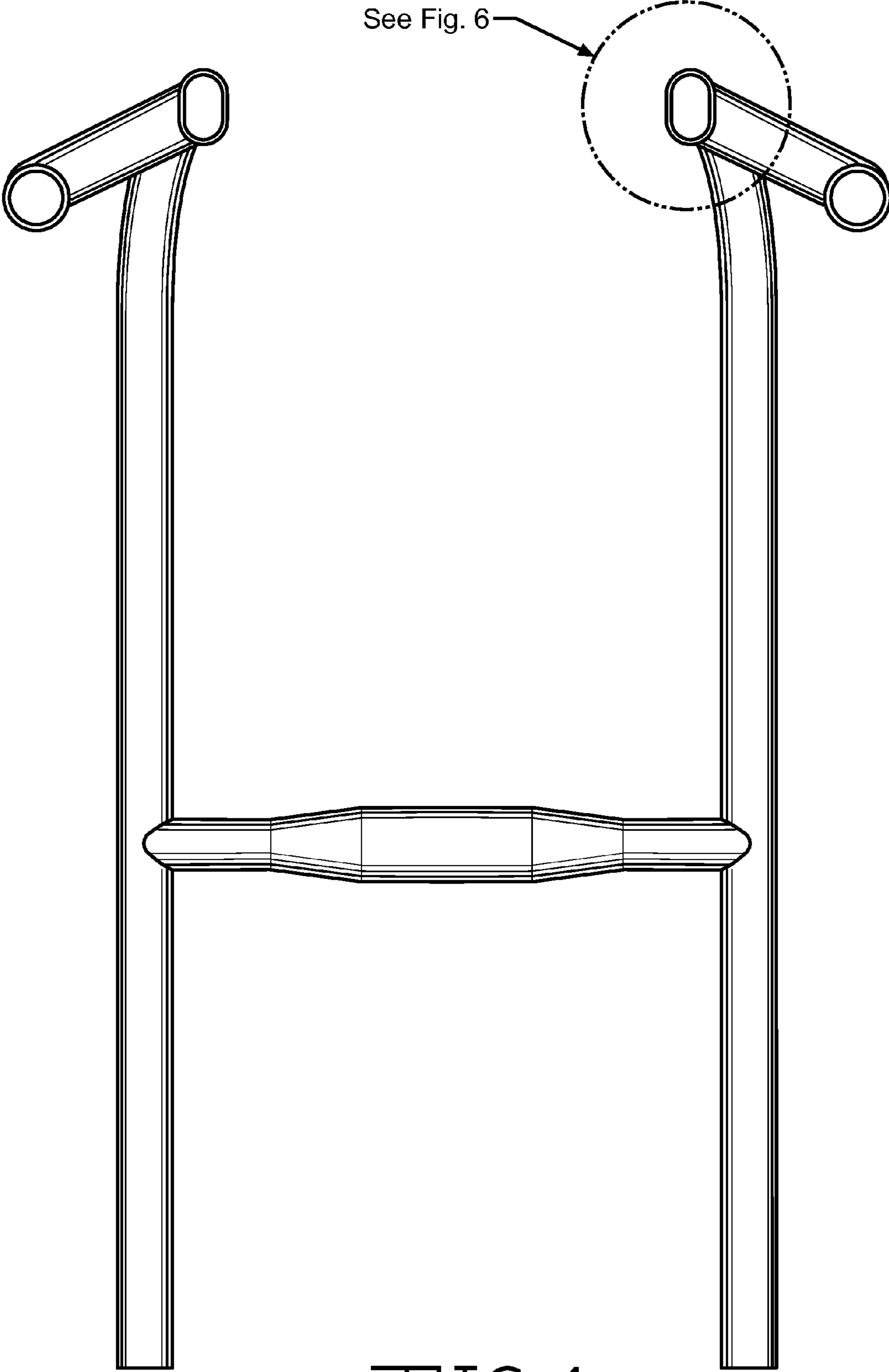


FIG. 4

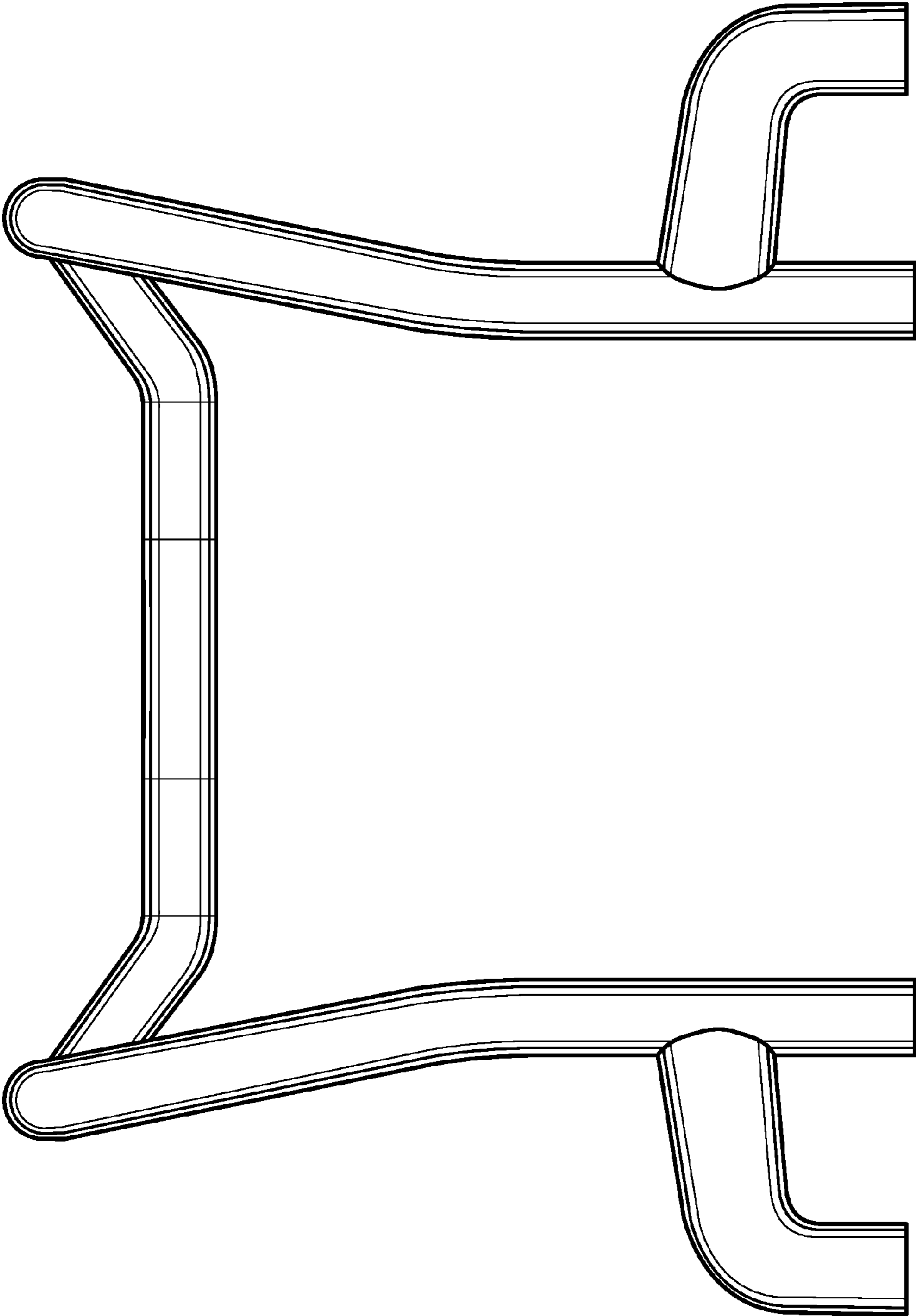


FIG. 5

FIG. 6

