

US00D627270S

(12) **United States Design Patent**
Kretschmer

(10) **Patent No.:** **US D627,270 S**

(45) **Date of Patent:** **** Nov. 16, 2010**

(54) **WHEELCHAIR**

(75) Inventor: **Oliver Kretschmer**, Sinsheim (DE)

(73) Assignee: **Otto Bock Mobility Solutions GmbH**,
Königsee (DE)

(**) Term: **14 Years**

(21) Appl. No.: **29/340,810**

(22) Filed: **Jul. 27, 2009**

(30) **Foreign Application Priority Data**

Jan. 27, 2009 (EM) 001076681

(51) **LOC (9) Cl.** **12-12**

(52) **U.S. Cl.** **D12/131**

(58) **Field of Classification Search** D12/128-133;
280/62, 647-650, 29, 200, 47.38, 35, 250.1,
280/259, 642, 658; 296/65.03, 65.04; 135/65-67,
135/74

See application file for complete search history.

(56) **References Cited**

U.S. PATENT DOCUMENTS

4,643,446 A * 2/1987 Murphy et al. 280/648
5,240,277 A * 8/1993 Scheulderman 280/650
D356,530 S * 3/1995 Bee et al. D12/131

D397,645 S * 9/1998 Schaffner D12/131
D443,563 S * 6/2001 Johnson D12/131
D455,376 S * 4/2002 Lindenkamp D12/131
D460,389 S * 7/2002 Wang D12/131
D484,832 S * 1/2004 Okamoto et al. D12/131
D487,037 S * 2/2004 Wang D12/131
6,729,829 B2 * 5/2004 Zimmer 414/522
D494,110 S * 8/2004 Cheng D12/131

* cited by examiner

Primary Examiner—Ian Simmons

Assistant Examiner—Charles D Hanson

(74) *Attorney, Agent, or Firm*—Whitham Curtis
Christofferson & Cook, P.C.

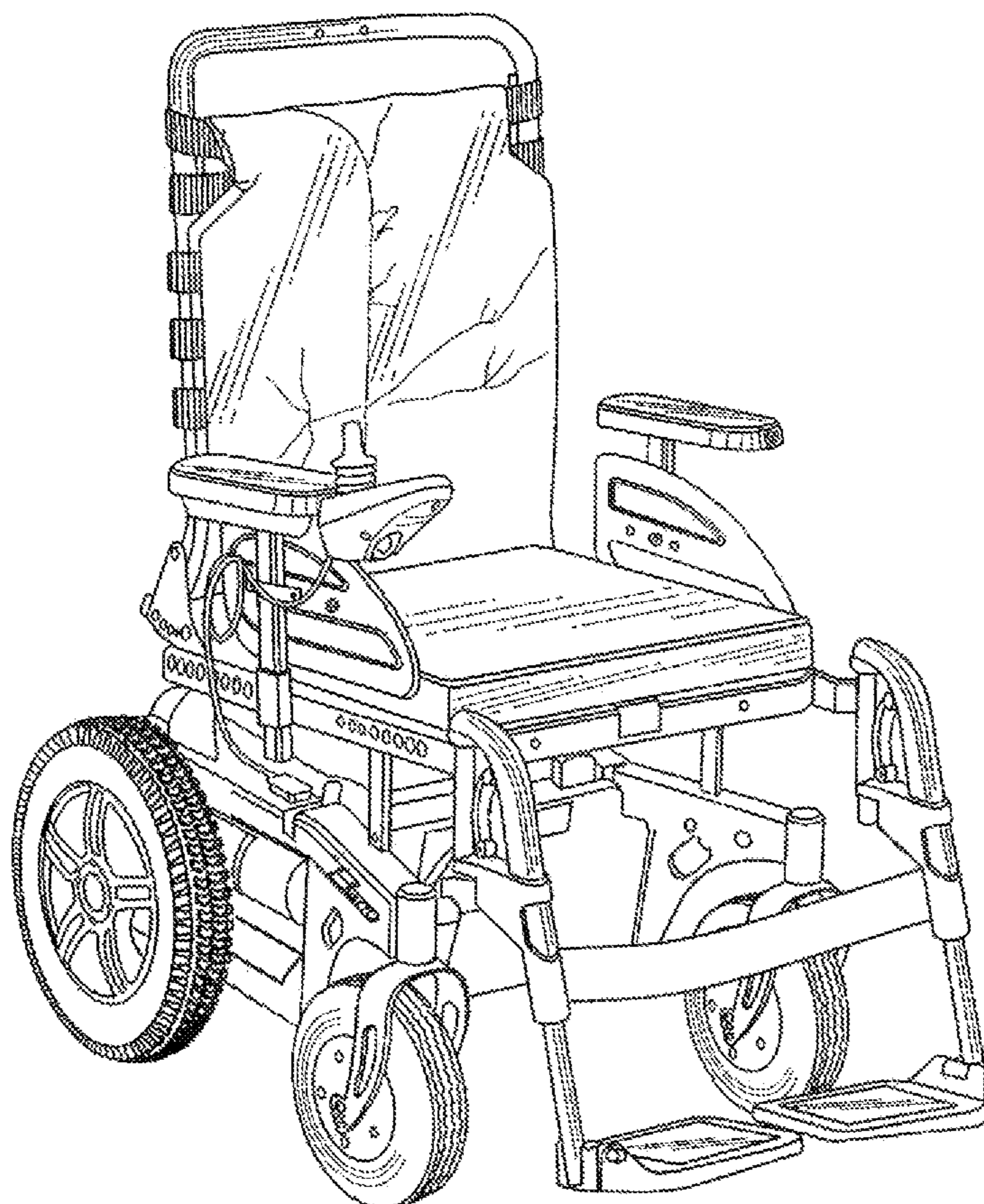
(57) **CLAIM**

I claim the ornamental design for the wheelchair, as shown and described.

DESCRIPTION

FIG. 1 is a front view of the wheelchair;
FIG. 2 is a rear view of the wheelchair;
FIG. 3 is a left side view of the wheelchair;
FIG. 4 is a right side view of the wheelchair;
FIG. 5 is a top view of the wheelchair; and,
FIG. 6 is an isometric view of the wheelchair.

1 Claim, 6 Drawing Sheets



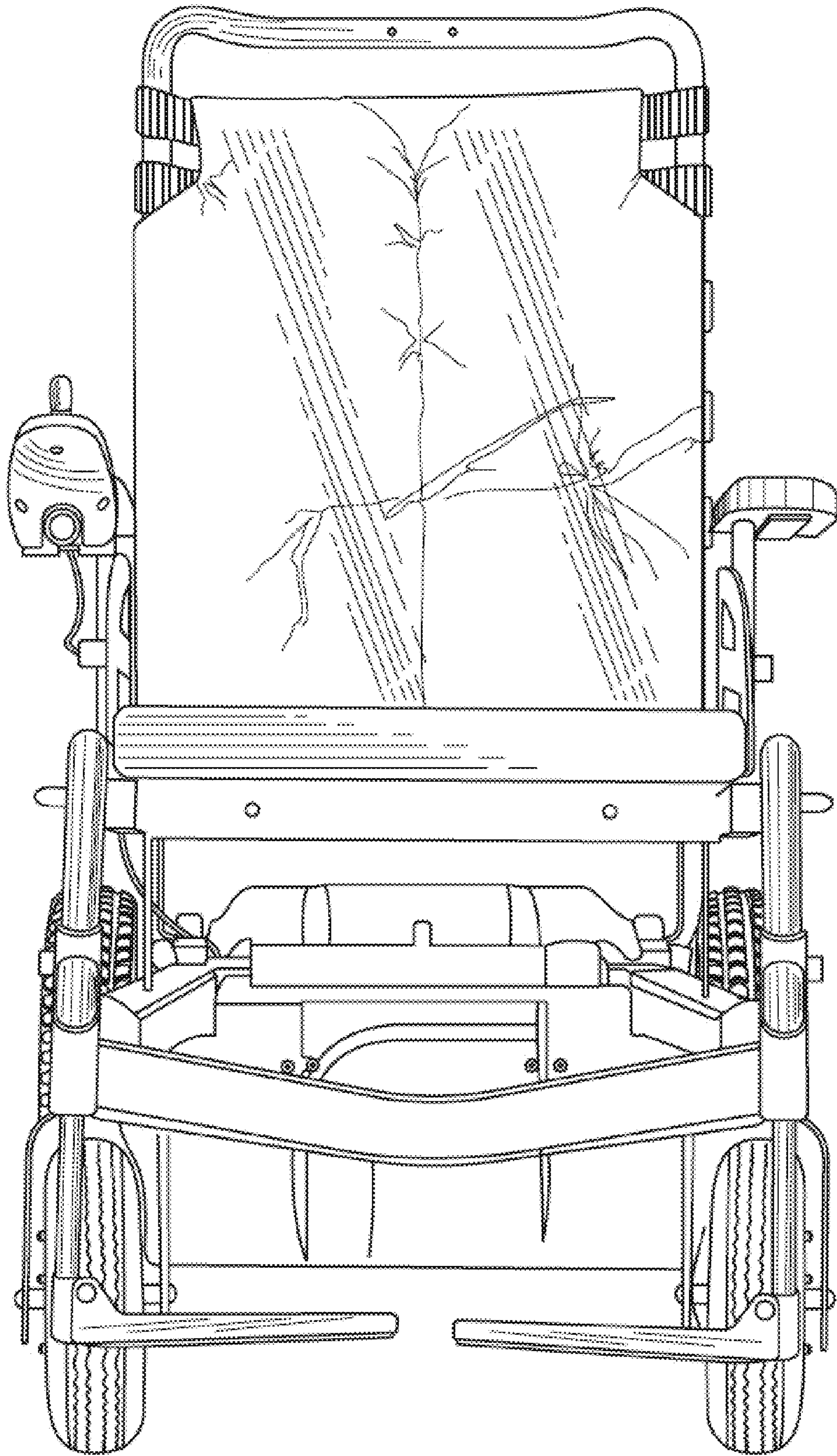


FIGURE 1

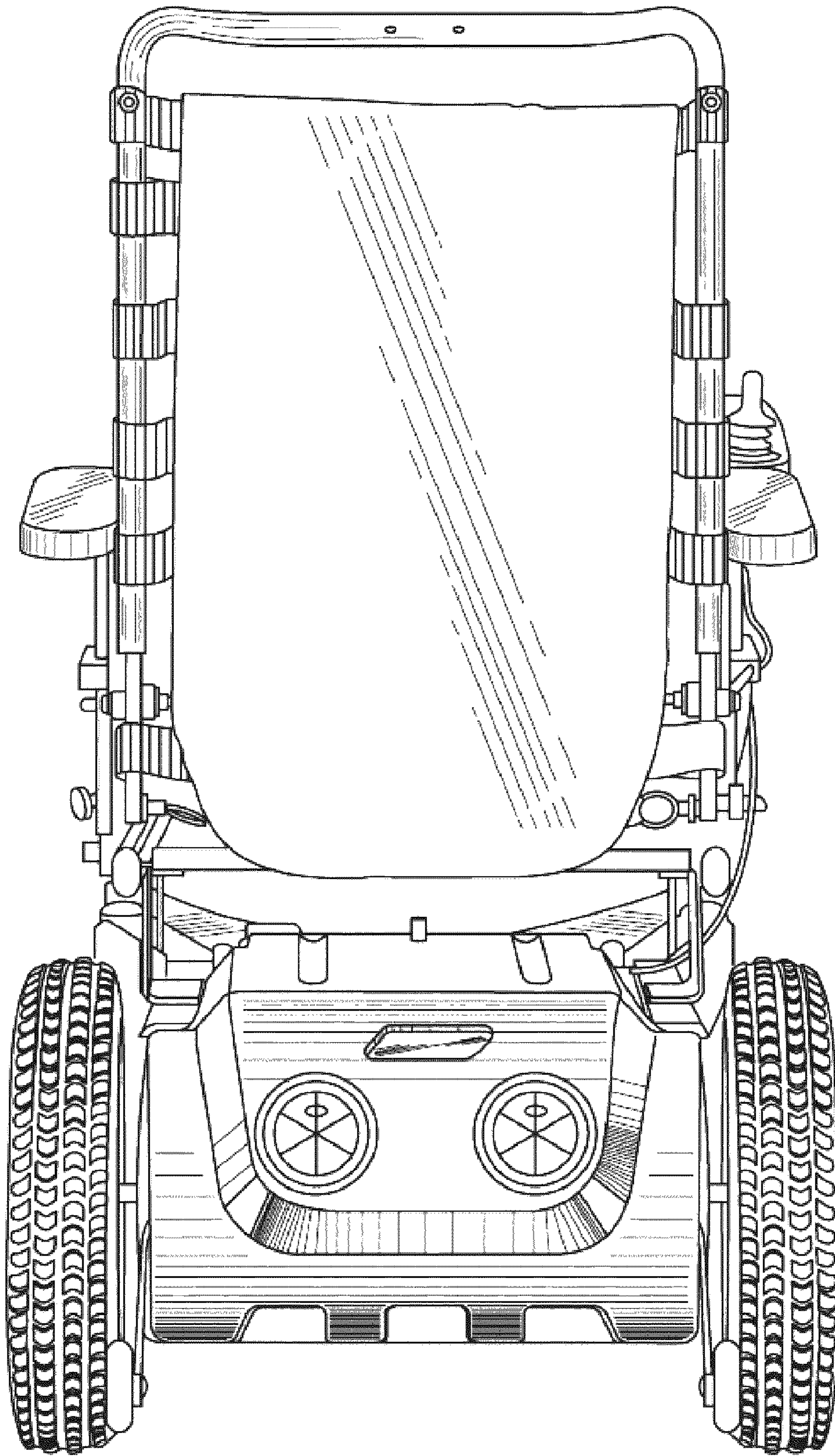


FIGURE 2

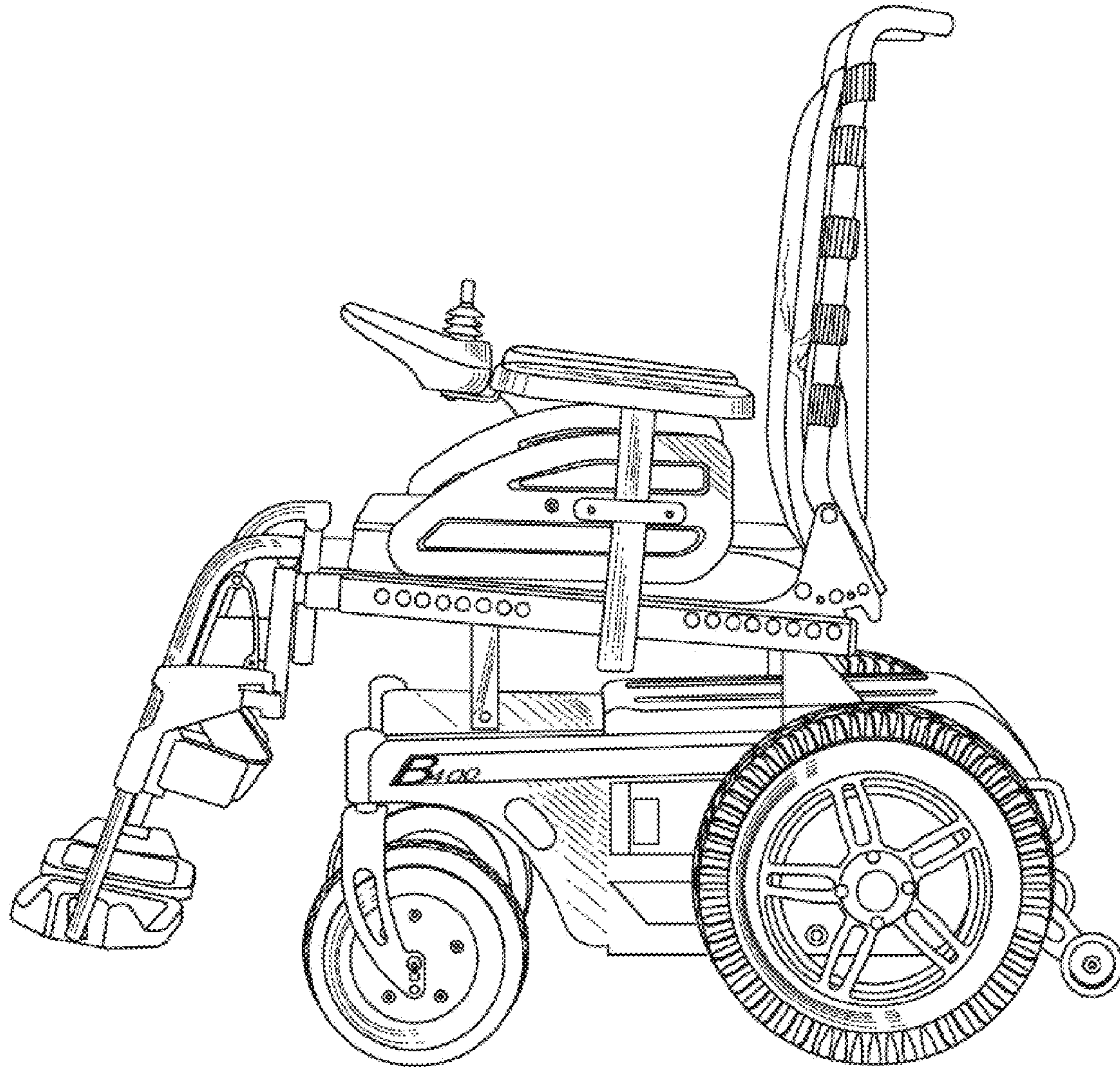


FIGURE 3

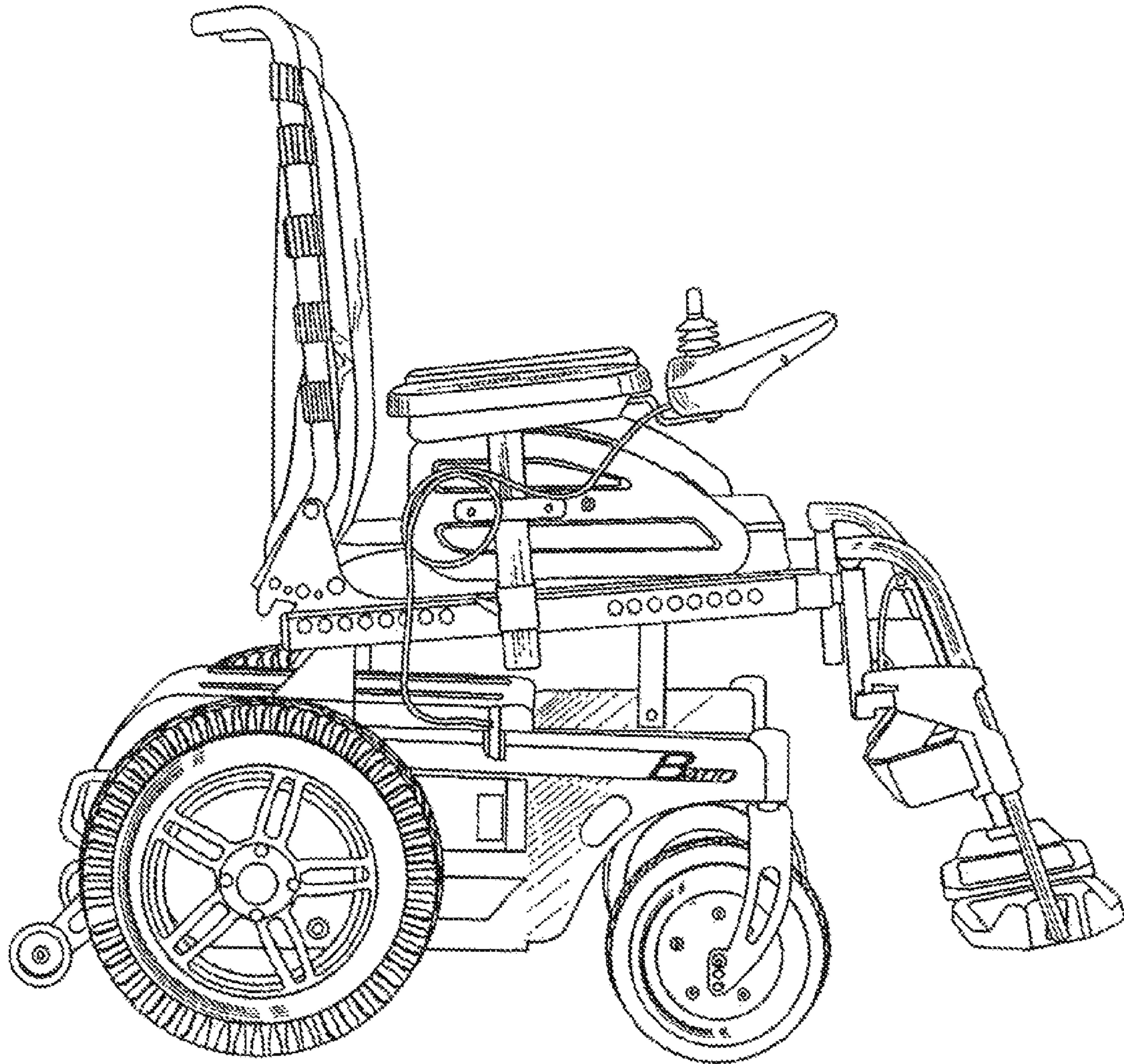


FIGURE 4

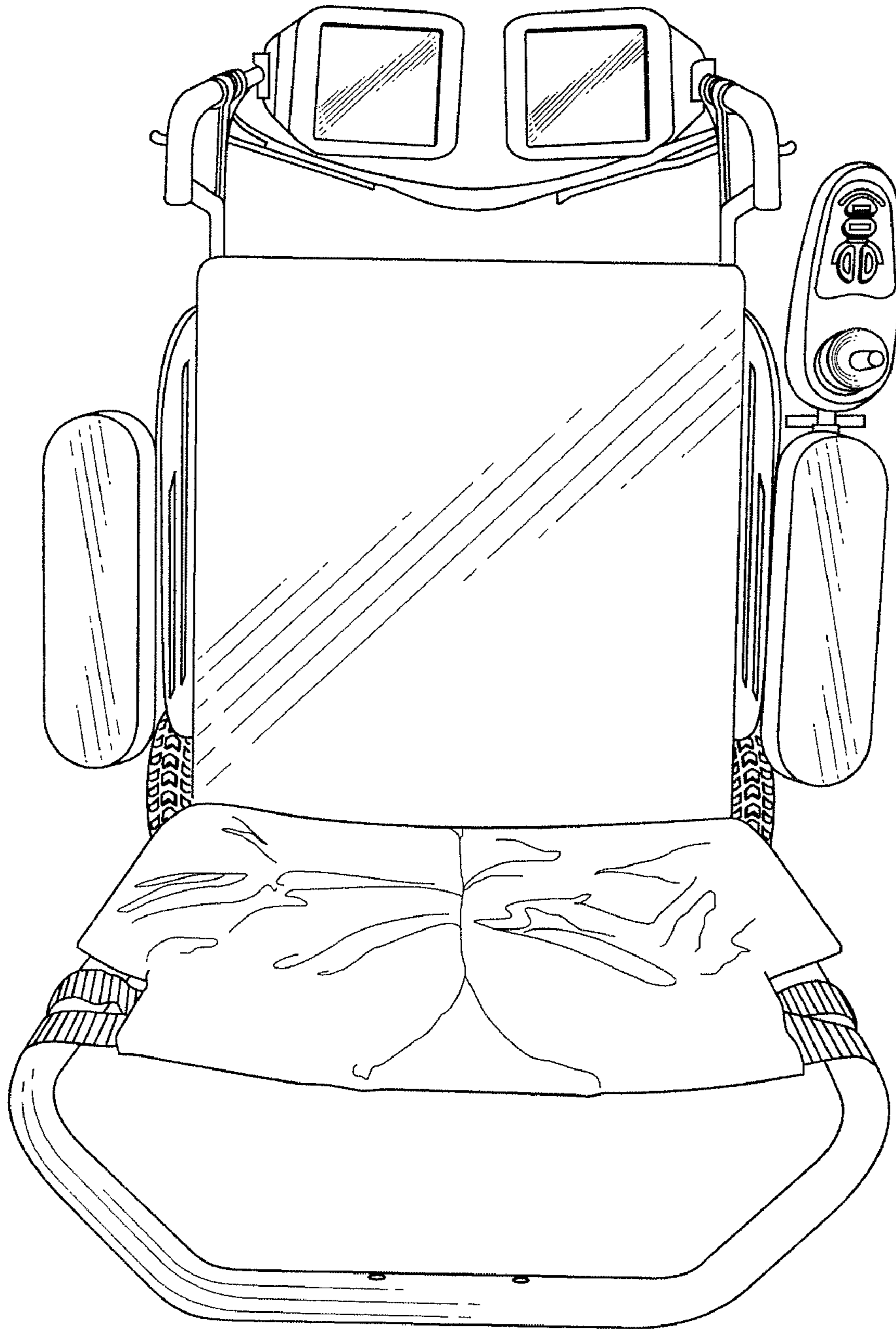


FIGURE 5

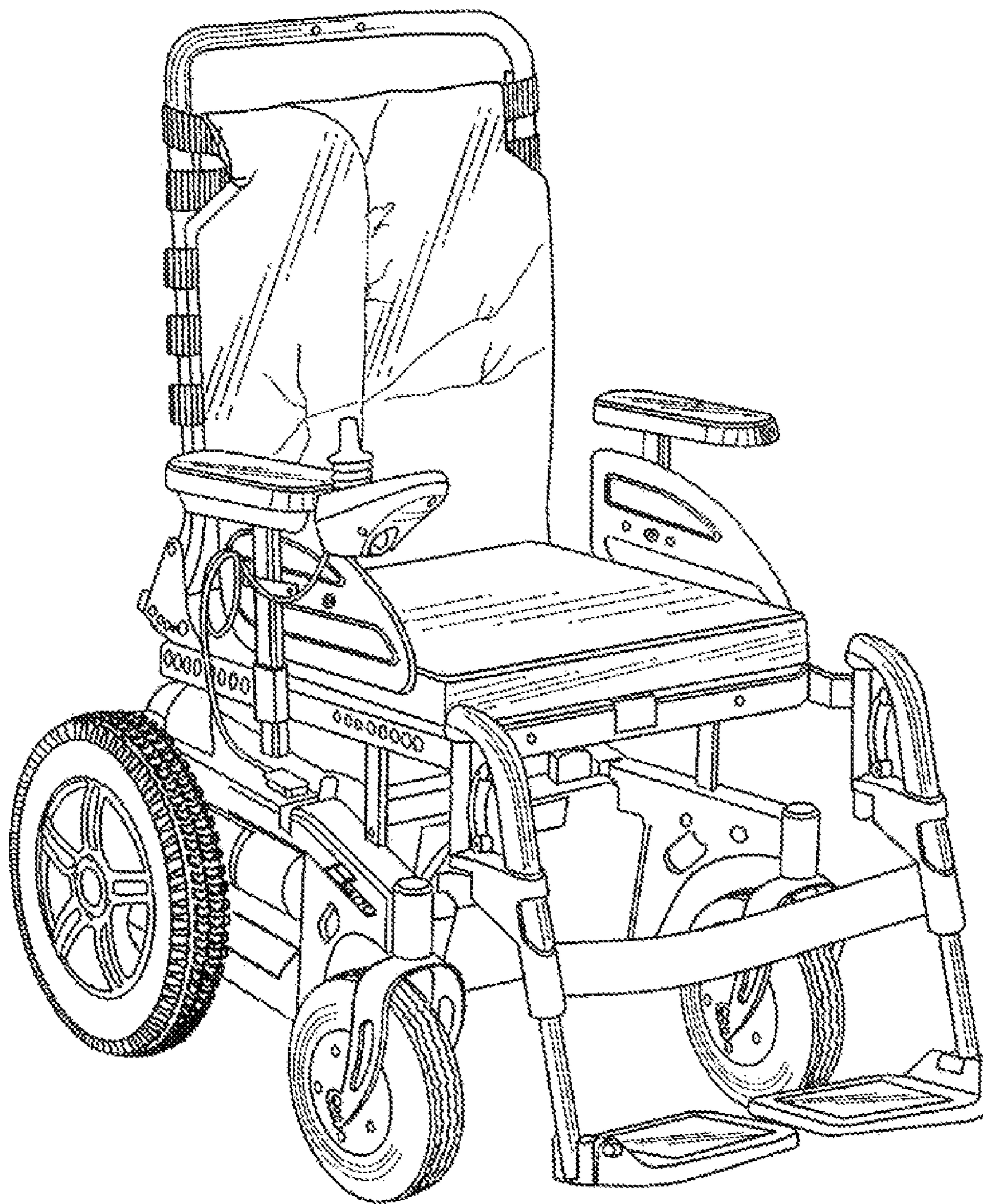


FIGURE 6