



US00D627266S

(12) **United States Design Patent**  
**Lockart et al.**

(10) **Patent No.:** **US D627,266 S**

(45) **Date of Patent:** **\*\* Nov. 16, 2010**

(54) **TRICYCLE**

D199,851 S \* 12/1964 Boucher ..... D12/113  
3,185,498 A \* 5/1965 Quisenberry ..... 280/291

(75) Inventors: **Chad Lockart**, Madison, WI (US); **Vi Lam**, Sun Prairie, WI (US)

\* cited by examiner

(73) Assignee: **Trek Bicycle Corporation**, Waterloo, WI (US)

*Primary Examiner*—Philip S Hyder  
*Assistant Examiner*—Linda G. Brooks

(74) *Attorney, Agent, or Firm*—Boyle Fredrickson S.C.

(\*\*) Term: **14 Years**

(57) **CLAIM**

(21) Appl. No.: **29/344,418**

The ornamental design for a tricycle, substantially as shown and described.

(22) Filed: **Sep. 29, 2009**

(51) **LOC (9) Cl.** ..... **12-11**

(52) **U.S. Cl.** ..... **D12/113**

(58) **Field of Classification Search** ..... D12/112,  
D12/113, 117; 280/62, 281.1, 282, 270,  
280/271, 288.1–288.3, 259; D21/435, 538,  
D21/432; 446/440

See application file for complete search history.

**DESCRIPTION**

FIG. 1 is a perspective view of a tricycle according to the present invention;

FIG. 2 is a right side elevation view of the tricycle of FIG. 1;

FIG. 3 is a top plan view of the tricycle of FIG. 1;

FIG. 4 is a front elevation view of the tricycle of FIG. 1;

FIG. 5 is a rear elevation view of the tricycle of FIG. 1; and,

FIG. 6 is a left side elevation view of the tricycle shown in FIG. 1.

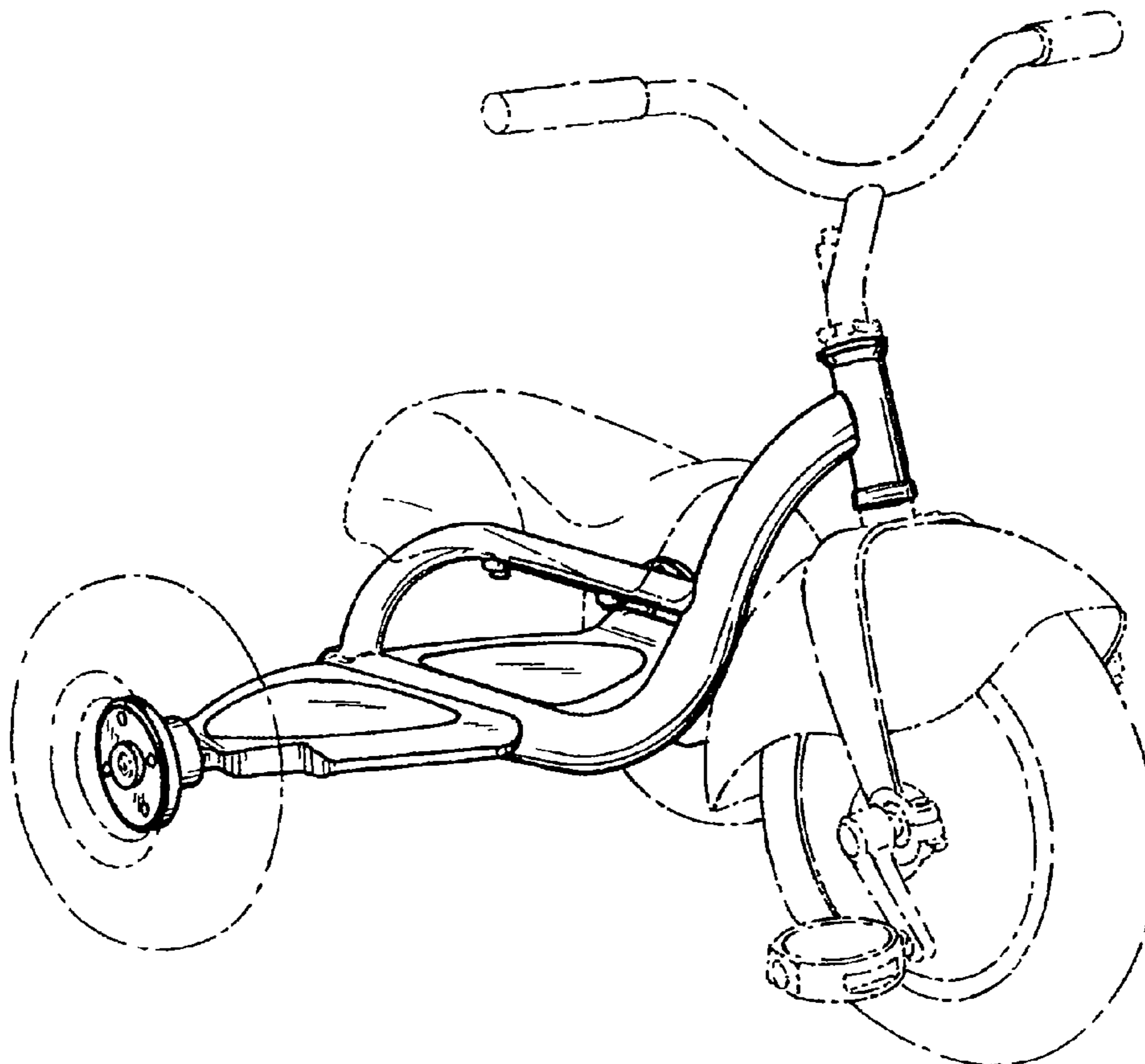
The broken lines, shown as broken/dotted lines, represent those portions of the tricycle that form no part of the claimed design.

(56) **References Cited**

**U.S. PATENT DOCUMENTS**

D134,815 S \* 1/1943 Smith ..... D12/113  
D140,721 S \* 4/1945 Smith ..... D12/113  
D142,591 S \* 10/1945 Smith ..... D12/113  
D134,816 S \* 1/1946 Smith ..... D12/113  
D179,469 S \* 1/1957 Bishop ..... D12/113

**1 Claim, 6 Drawing Sheets**



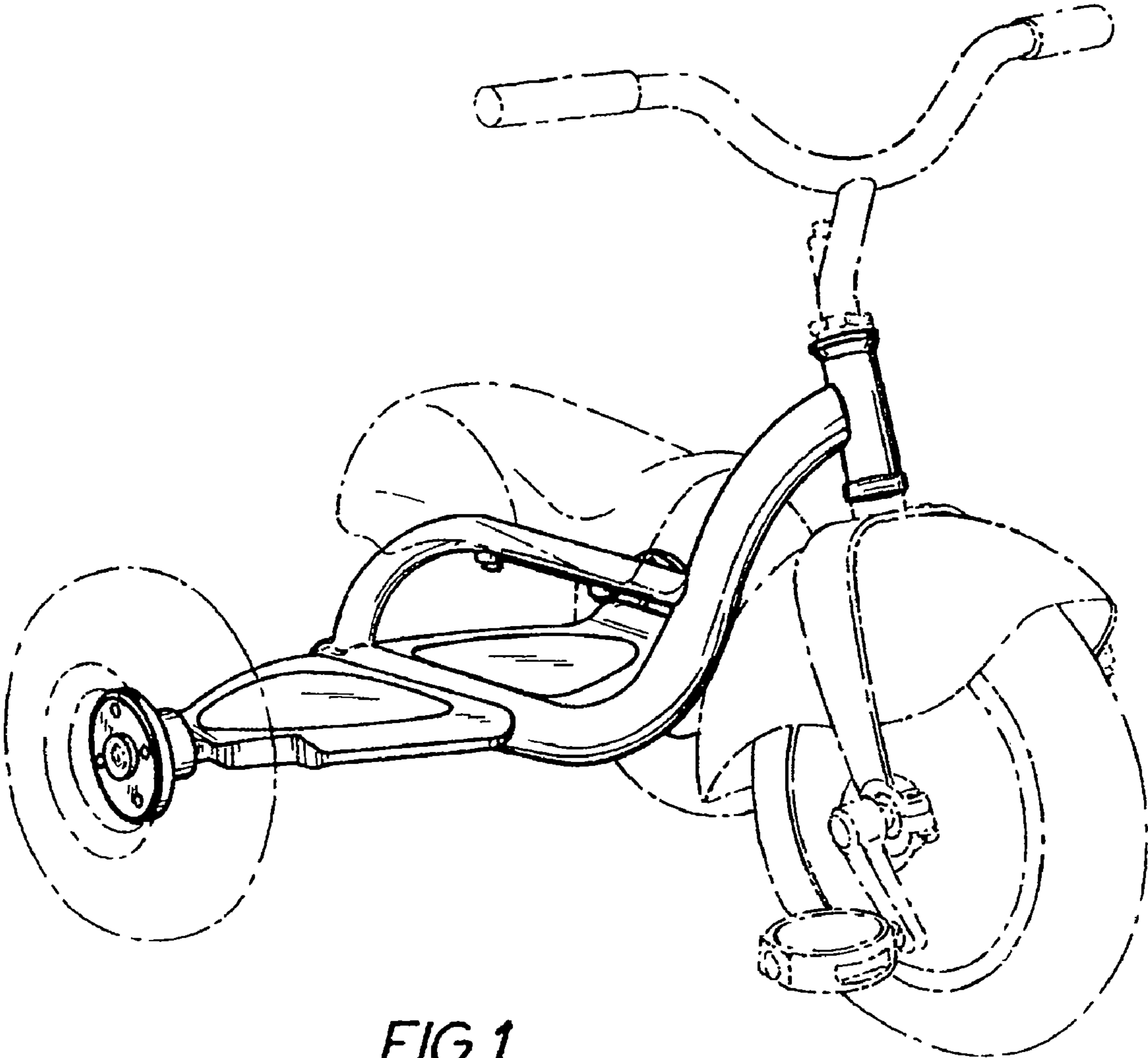


FIG. 1

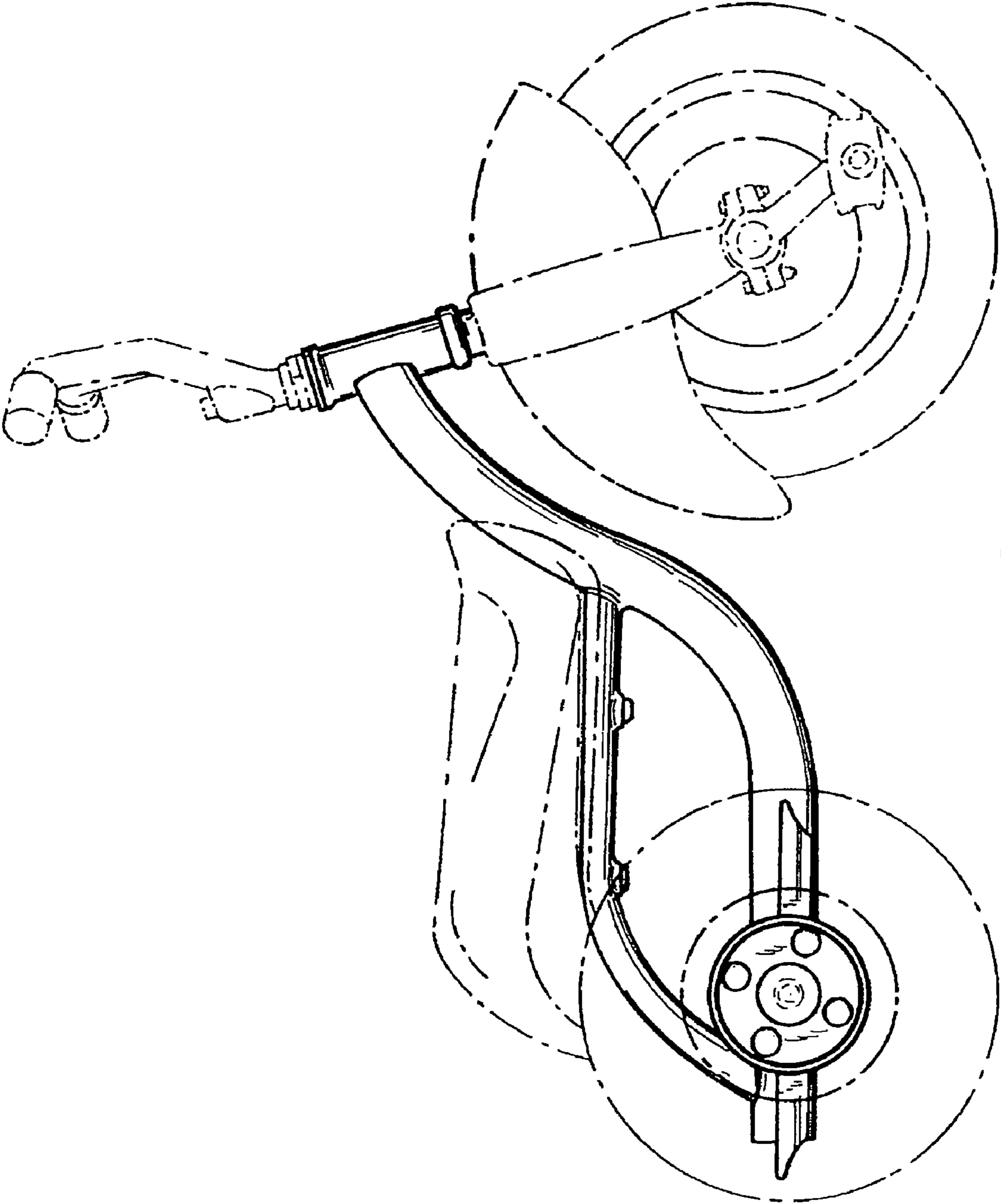


FIG. 2

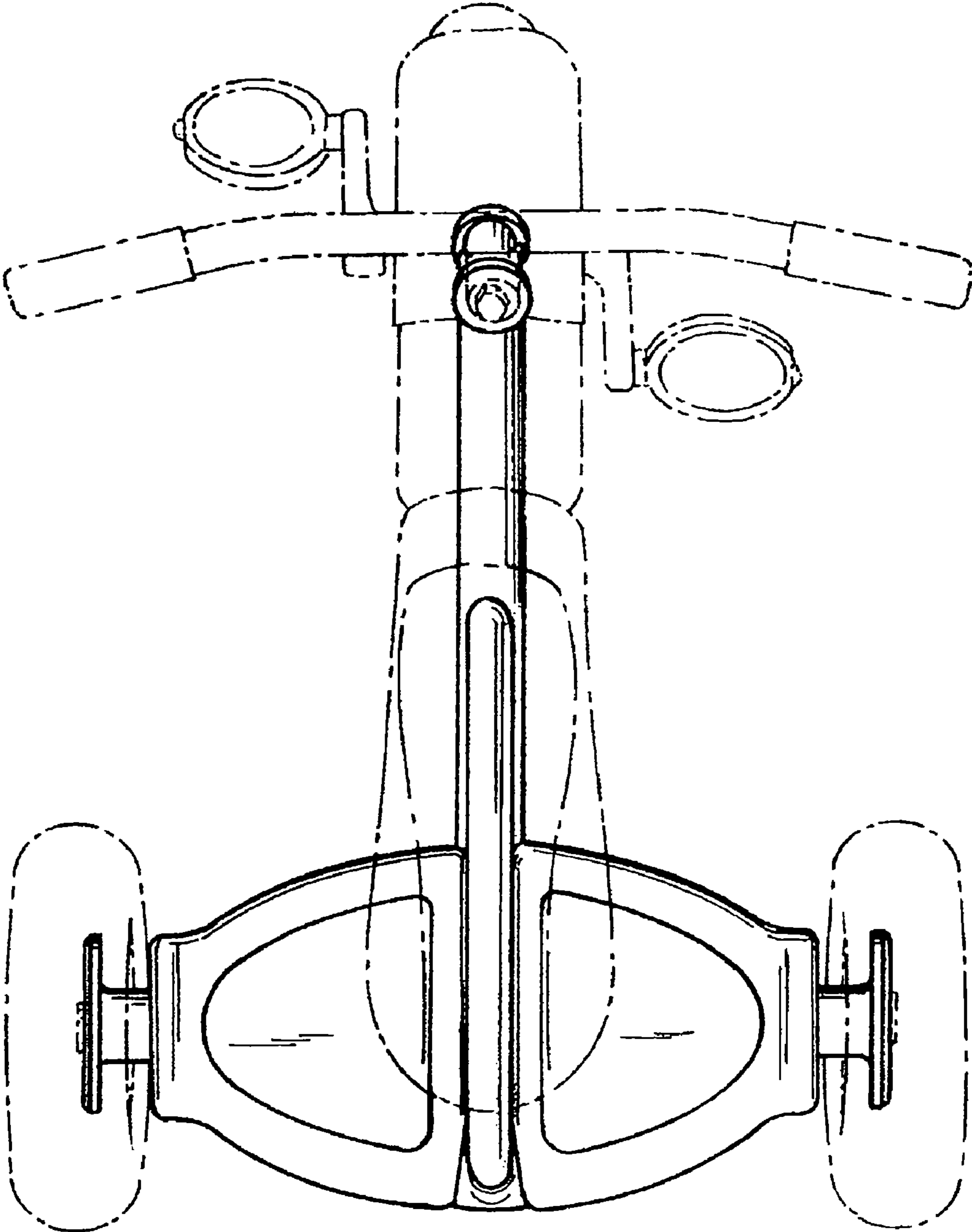


FIG. 3

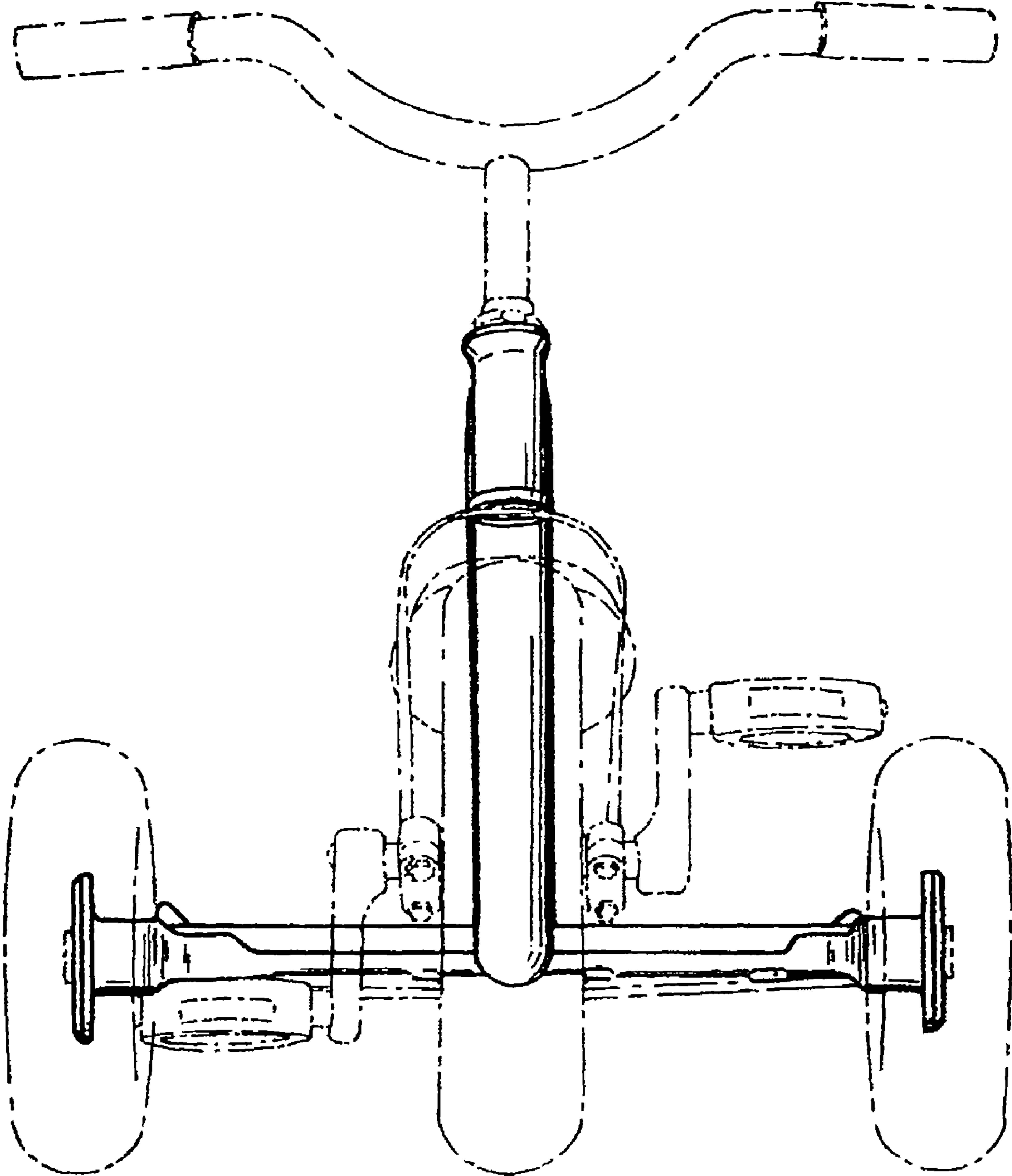


FIG. 4

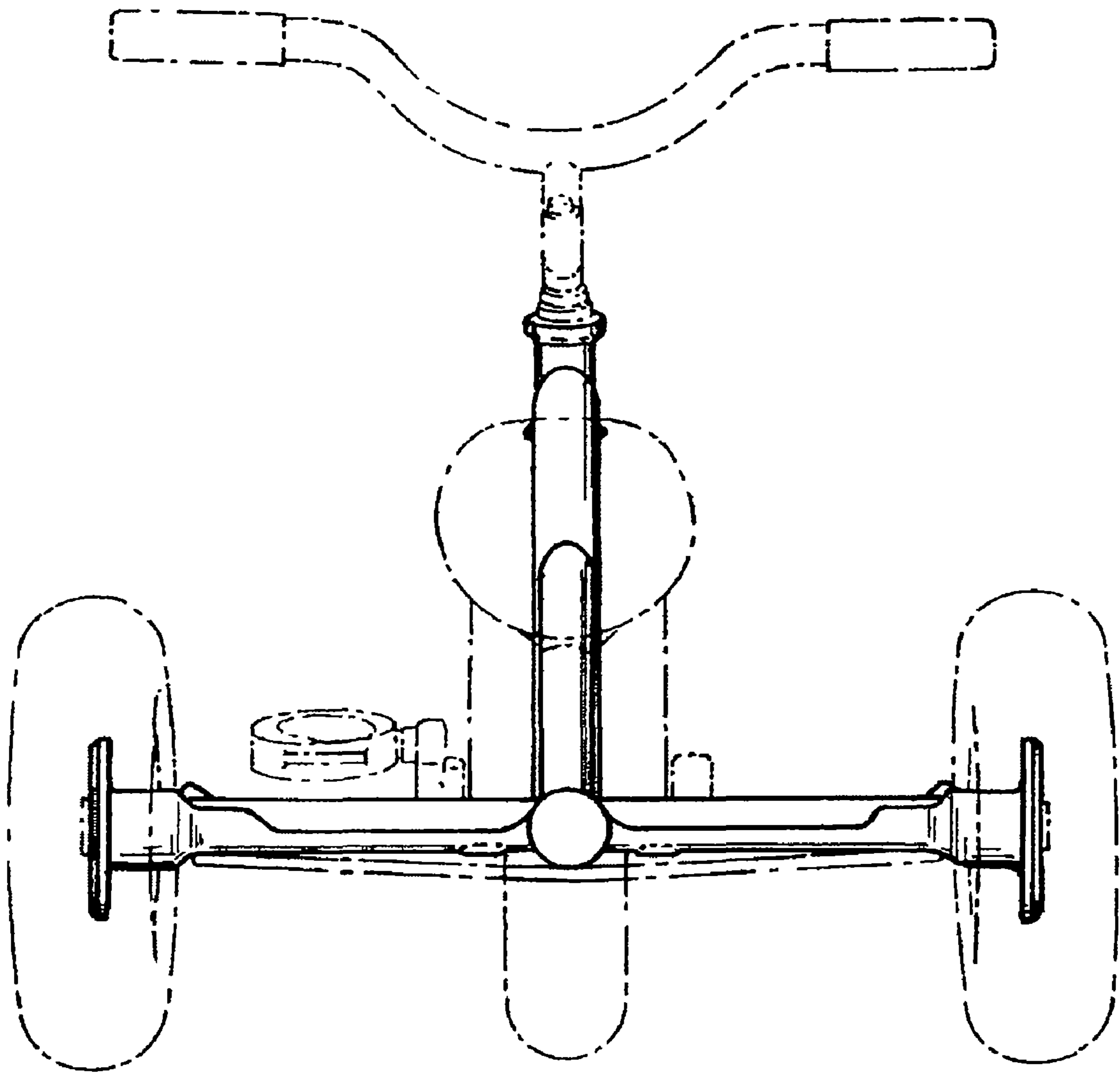


FIG. 5

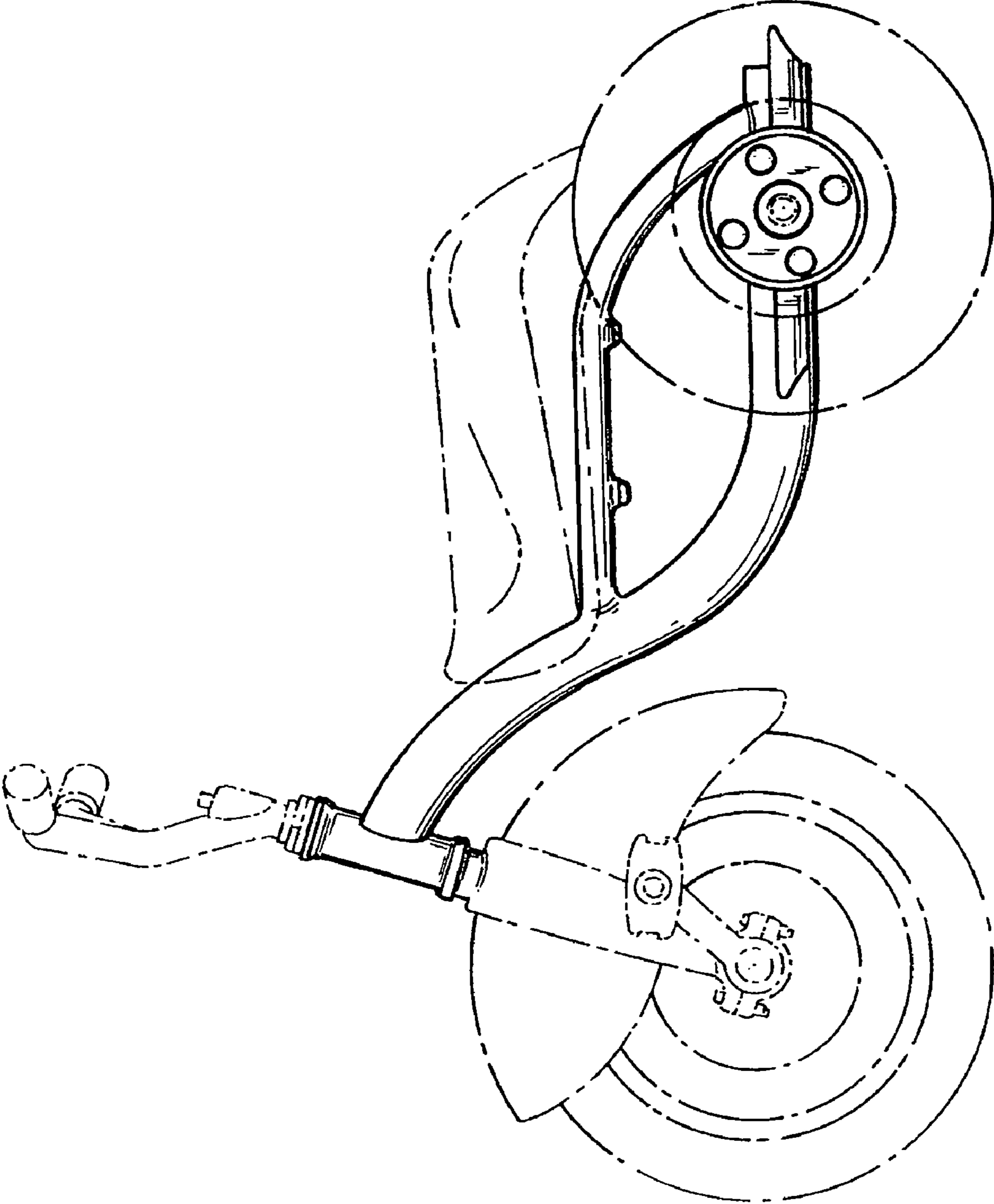


FIG. 6