



US00D627265S

(12) **United States Design Patent**
On

(10) **Patent No.:** **US D627,265 S**

(45) **Date of Patent:** **** Nov. 16, 2010**

(54) **TRICYCLE**

D604,777 S * 11/2009 On D21/435

(75) Inventor: **Yoram Bar On**, Sderot (IL)

* cited by examiner

(73) Assignee: **Smart Trike MNF. Pte. Ltd.**, Singapore (SG)

Primary Examiner—Susan M Lee

Assistant Examiner—Linda G. Brooks

(**) Term: **14 Years**

(74) *Attorney, Agent, or Firm*—Dekel Patent Ltd.; David Klein

(21) Appl. No.: **29/351,978**

(57) **CLAIM**

(22) Filed: **Dec. 15, 2009**

The ornamental design for a tricycle, as shown and described.

(51) **LOC (9) Cl.** **12-11**

(52) **U.S. Cl.** **D12/112**

(58) **Field of Classification Search** D12/112,
D12/113; D21/432, 435, 538; 280/202,
280/282, 259, 263, 270, 293, 304.5, 288.1–288.3,
280/281.1, 62, 47.11; 446/440, 465, 470,
446/471

DESCRIPTION

See application file for complete search history.

FIG. 1 is a front perspective view of a tricycle, showing my new design;

FIG. 2 is a rear perspective view thereof;

FIG. 3 is a side view thereof;

FIG. 4 is a front view thereof;

FIG. 5 is a top view thereof; and,

FIG. 6 is a rear view thereof.

(56) **References Cited**

The portion of the tricycle shown in broken lines form no part of the claimed design.

U.S. PATENT DOCUMENTS

The nature and intended use of the article in which the design is embodied is that of a small vehicle for children and the like.

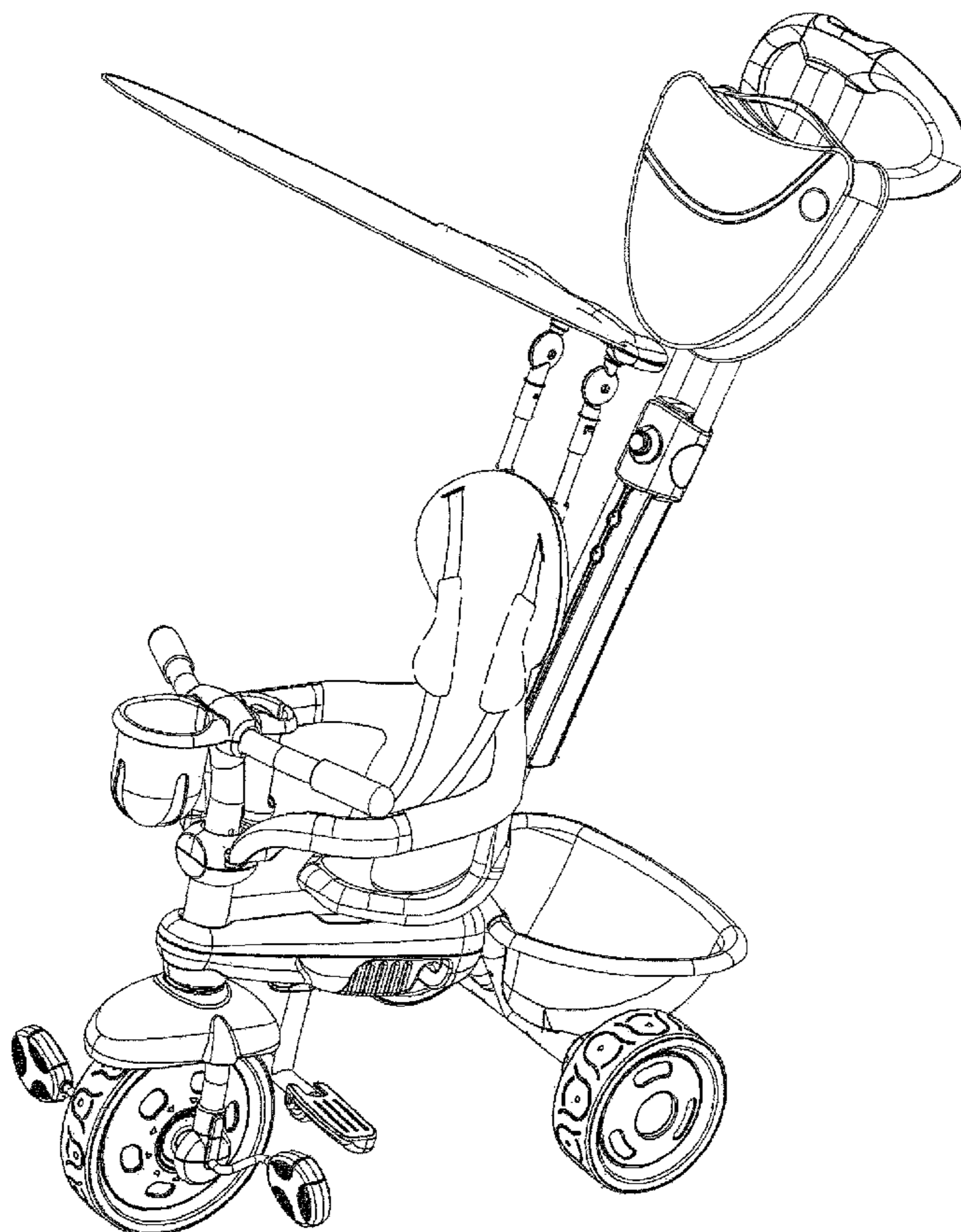
D525,568 S * 7/2006 Baron D12/112

D555,045 S * 11/2007 On D12/112

D571,866 S * 6/2008 On D21/435

D594,788 S * 6/2009 Hartlaub et al. D12/113

1 Claim, 6 Drawing Sheets



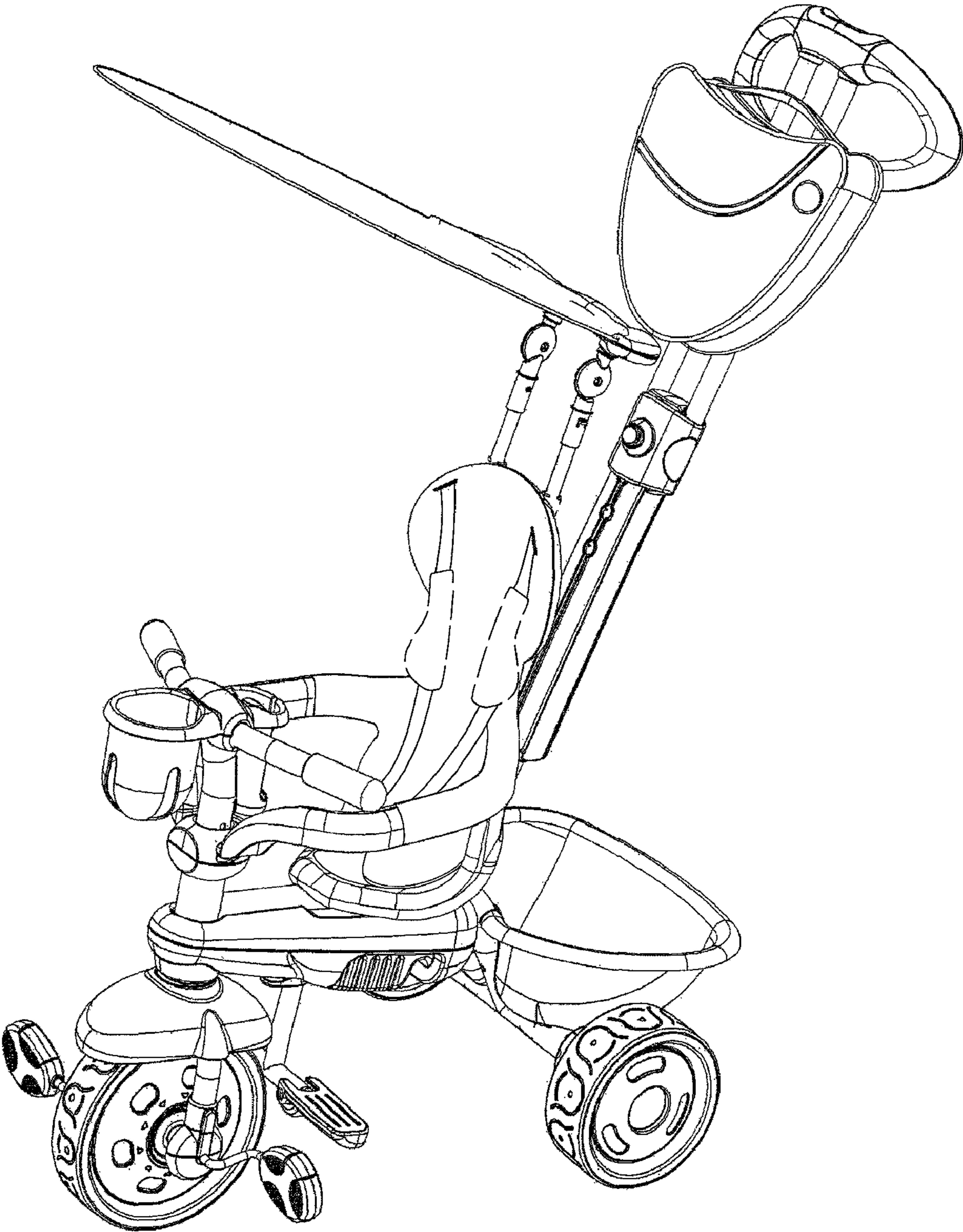


FIG. 1

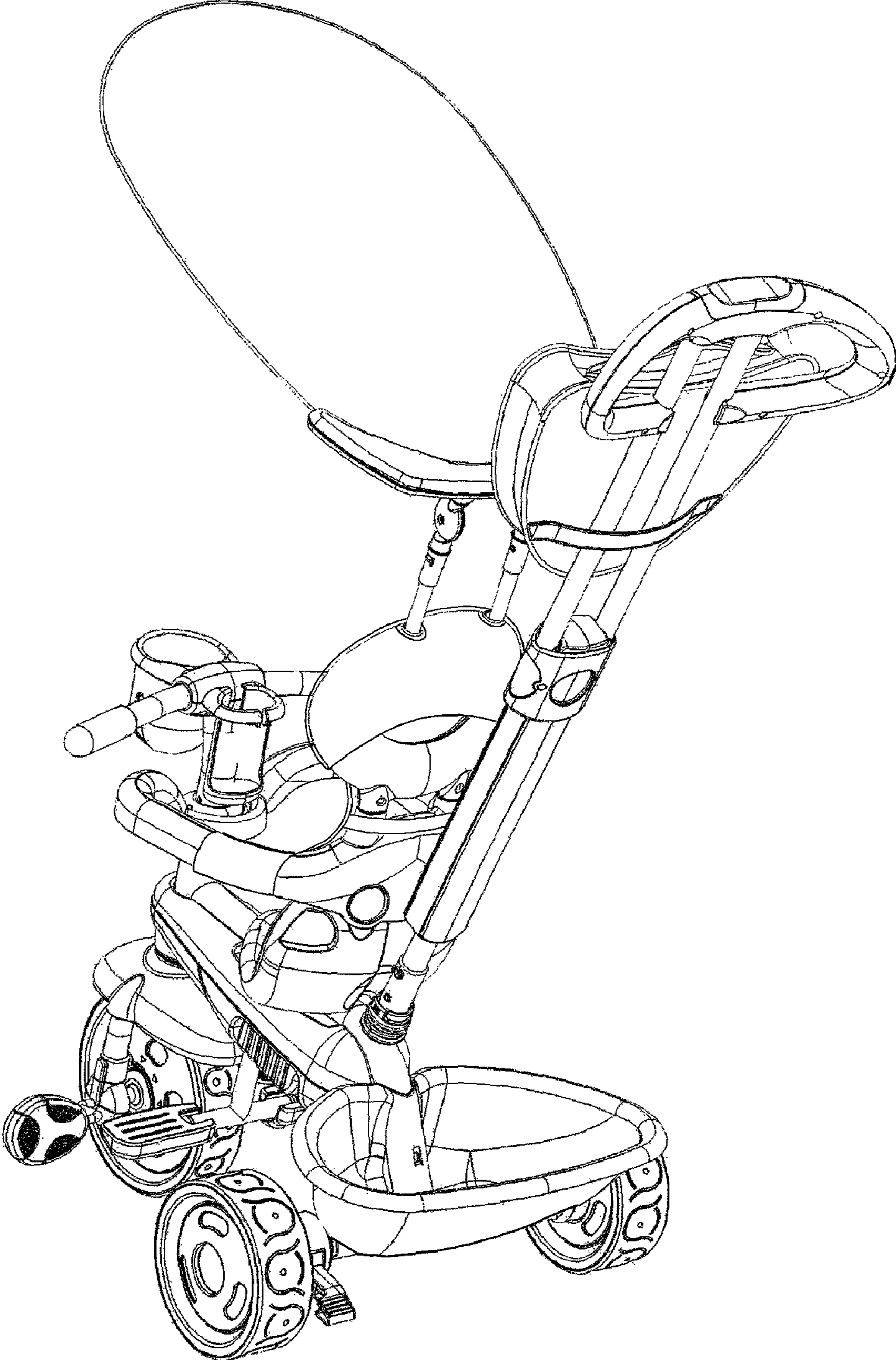


FIG. 2

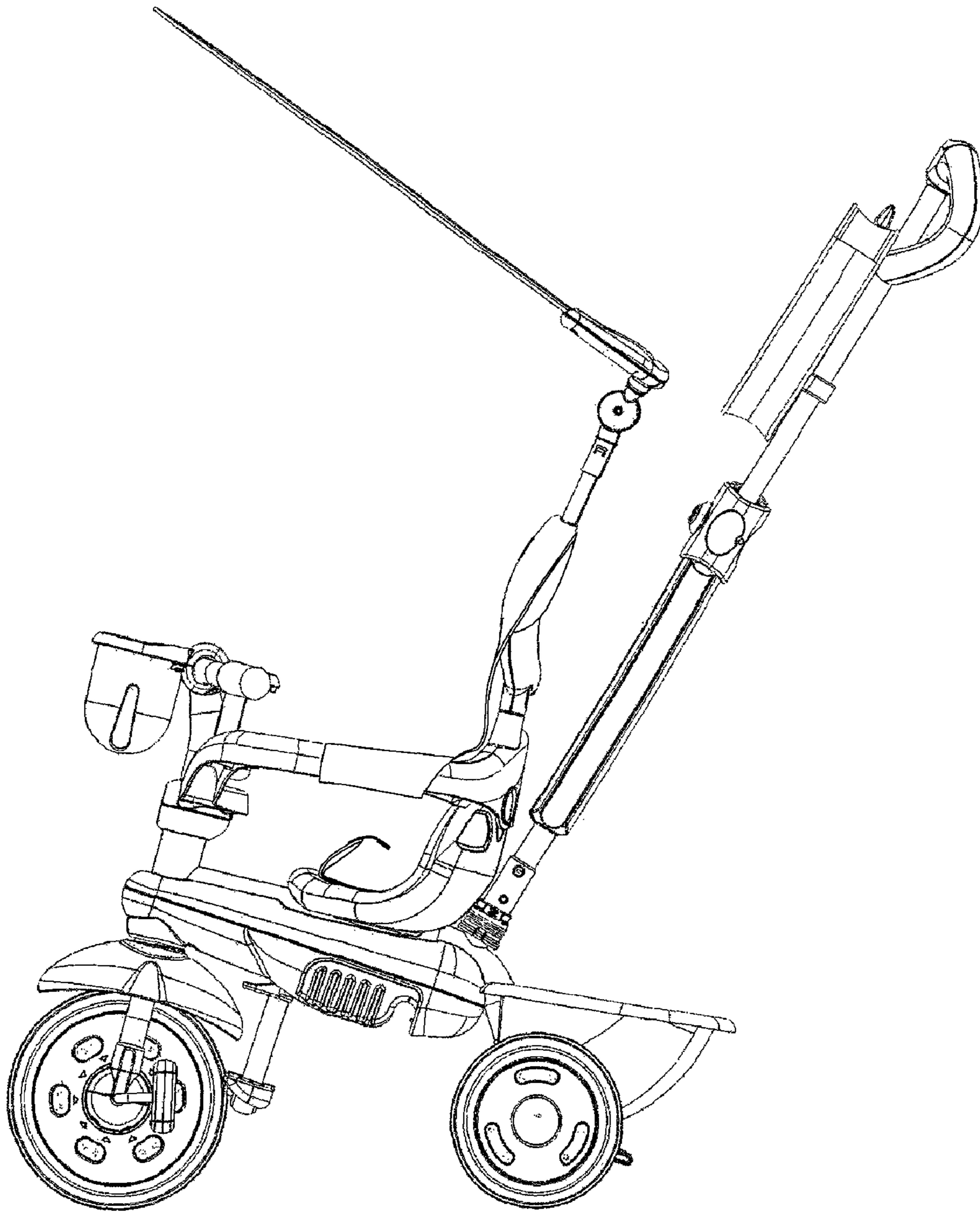


FIG. 3

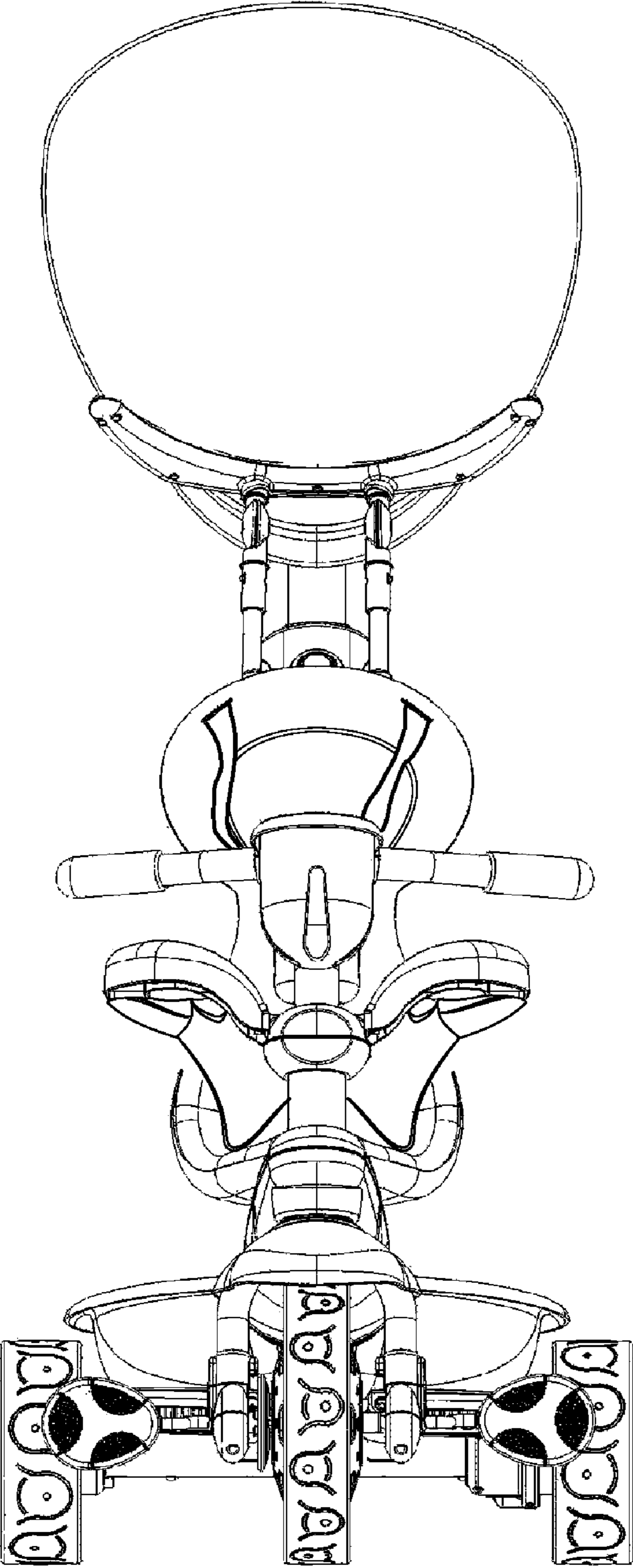


FIG. 4

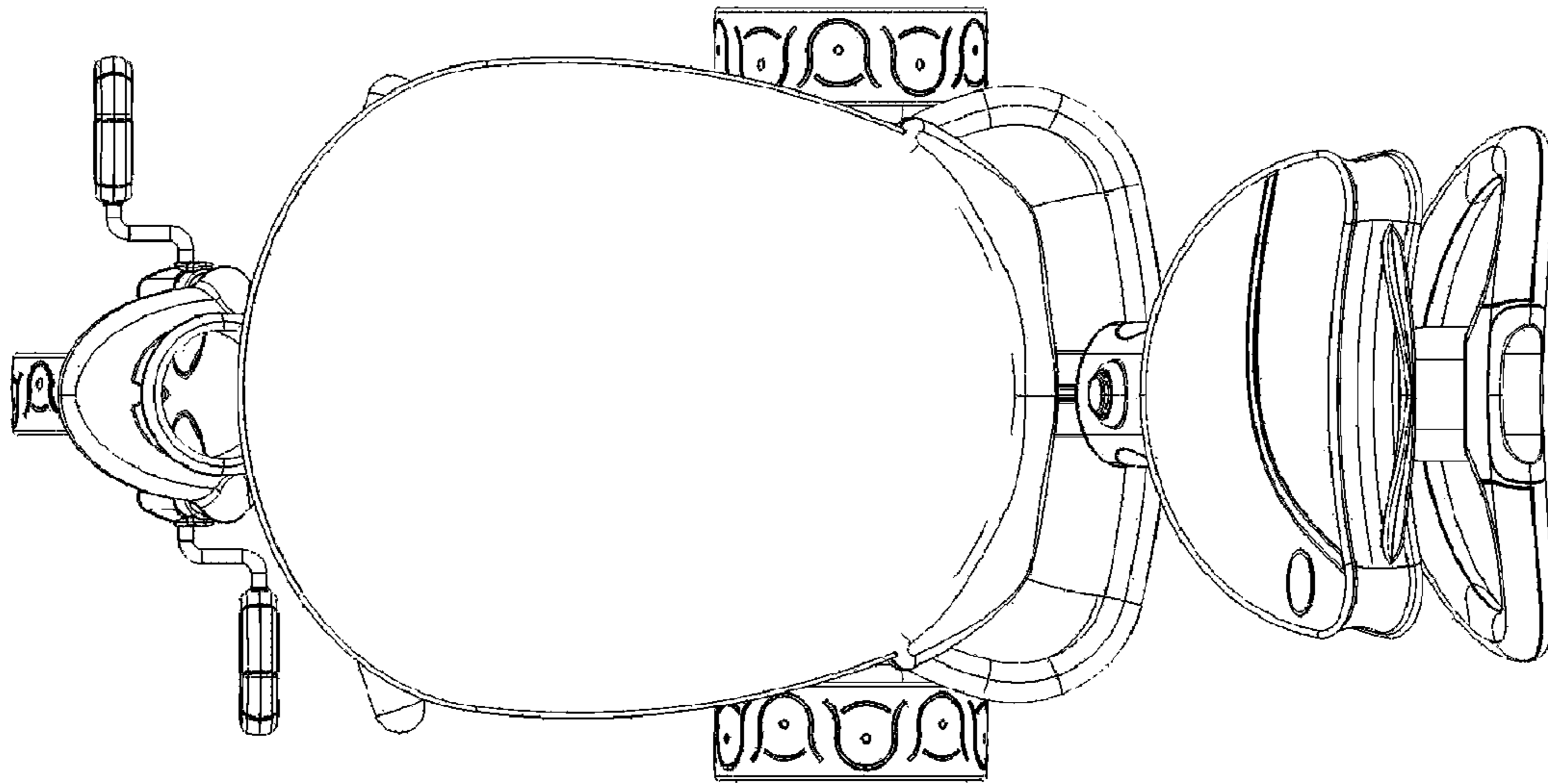


FIG. 5

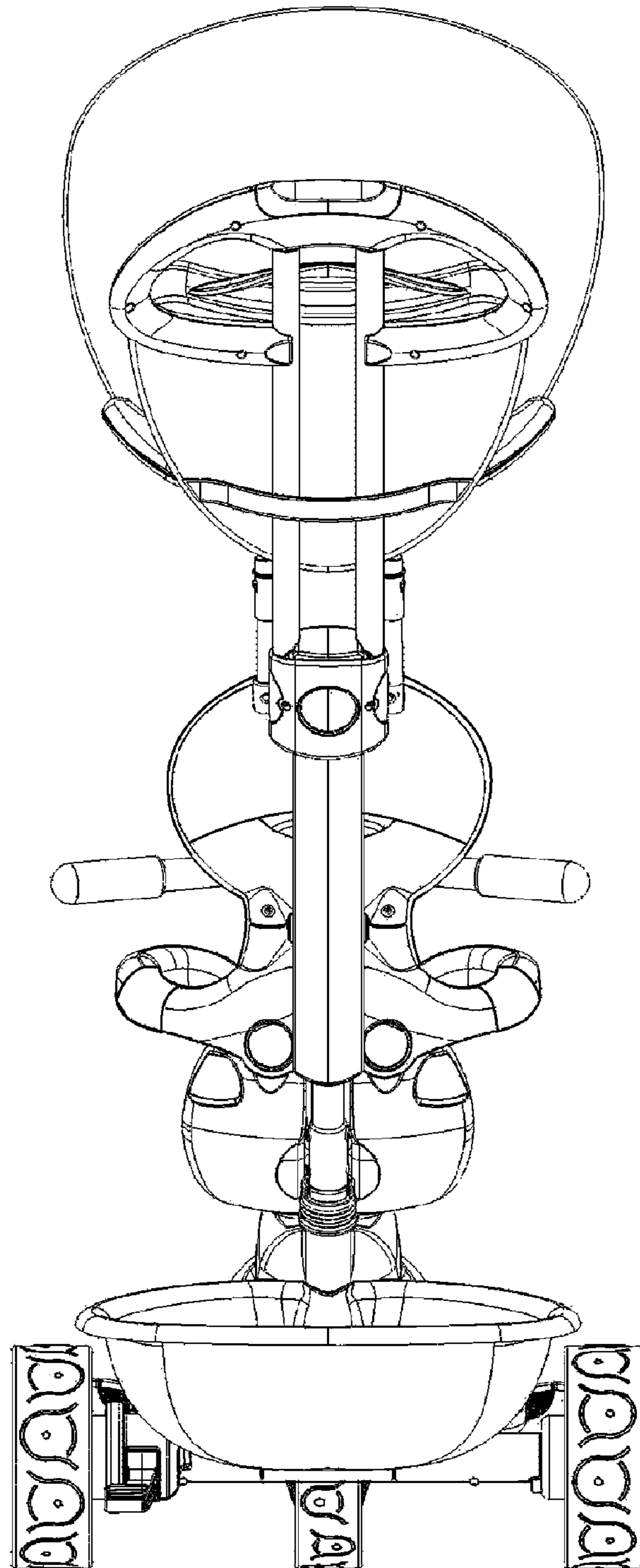


FIG. 6