



US00D627257S

(12) **United States Design Patent**
Blevins et al.

(10) **Patent No.:** **US D627,257 S**

(45) **Date of Patent:** **** Nov. 16, 2010**

(54) **STACKABLE PLANTING CONTAINER**

(76) Inventors: **Fornice Lee Blevins**, 1020 Garcia Rd.,
Atascadero, CA (US) 93422; **Ron Q.**
Blevins, P.O. Box 88, Gorman, CA (US)
93243

(**) Term: **14 Years**

(21) Appl. No.: **29/367,027**

(22) Filed: **Aug. 2, 2010**

(51) **LOC (9) Cl.** **11-02**

(52) **U.S. Cl.** **D11/155**

(58) **Field of Classification Search** D6/403-405,
D6/556-558; D8/1; D11/143-156, 164;
D19/77, 80, 81, 84; D25/100; D26/9-11,
D26/16, 19; D34/1, 2, 4-6; D99/5, 19; 47/17,
47/32.4, 32.5, 32.7, 33, 39, 41.01, 41.1, 41.11-41.15,
47/44-47, 65, 65.5, 65.9, 66.1, 66.2, 66.6,
47/66.7, 67-71

See application file for complete search history.

(56) **References Cited**

U.S. PATENT DOCUMENTS

D120,991 S * 6/1940 Koch D11/155

D241,874 S * 10/1976 Berglund D11/156
D363,046 S * 10/1995 Rimback D11/155
D571,688 S * 6/2008 White D11/155
D612,153 S * 3/2010 Liao D3/304

* cited by examiner

Primary Examiner—Garth Rademaker

(74) *Attorney, Agent, or Firm*—James M. Duncan, Esq.;
Klein, DeNatale, Goldner, etc.

(57) **CLAIM**

The ornamental design for a stackable planting container, as shown and described.

DESCRIPTION

FIG. 1 is a top perspective view of a stackable planting container, showing our new design;

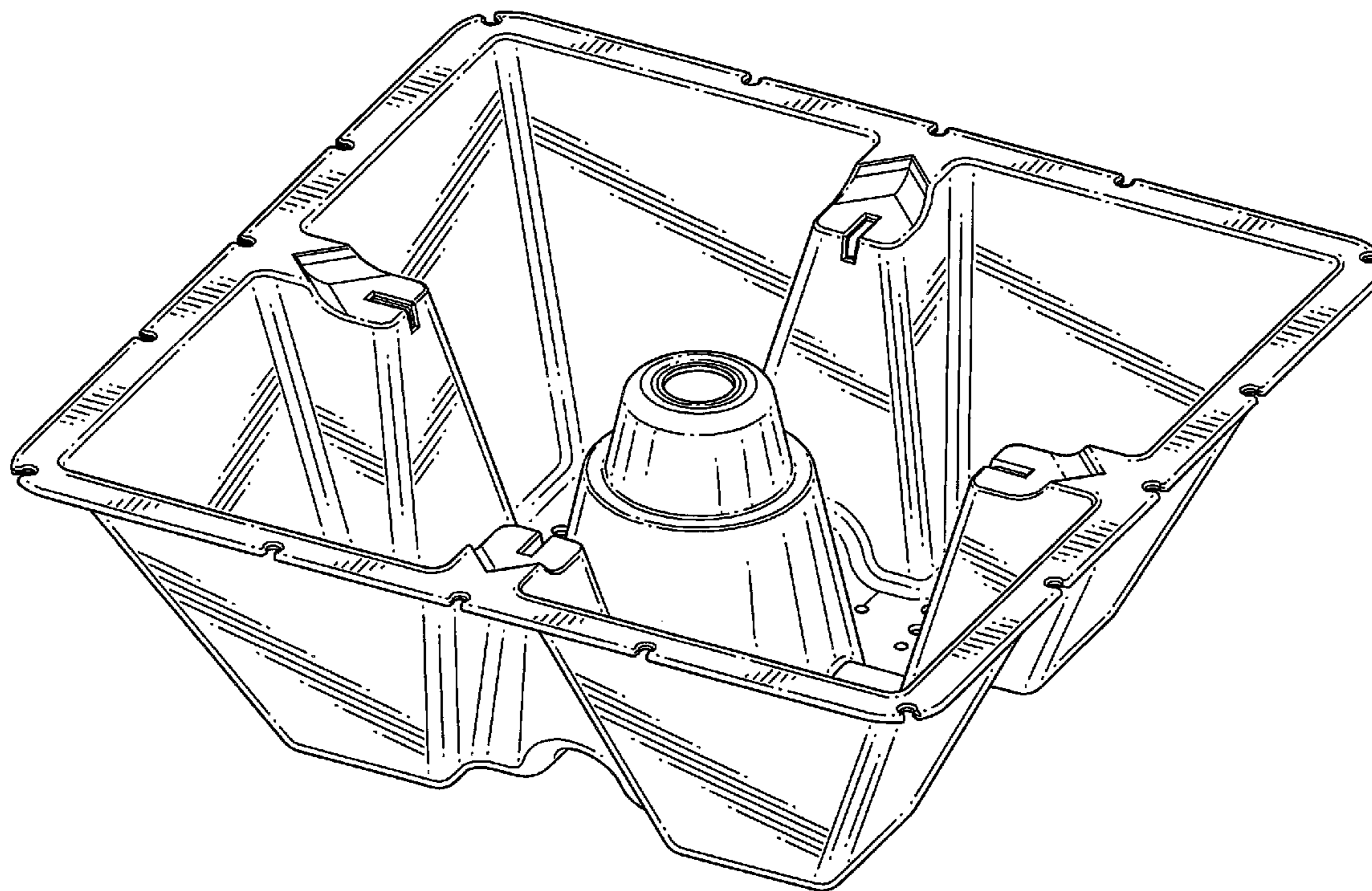
FIG. 2 is a top plan view thereof;

FIG. 3 is a side elevation view thereof, the other three sides being identical thereto;

FIG. 4 is a bottom plan view thereof; and,

FIG. 5 is a bottom perspective view thereof.

1 Claim, 5 Drawing Sheets



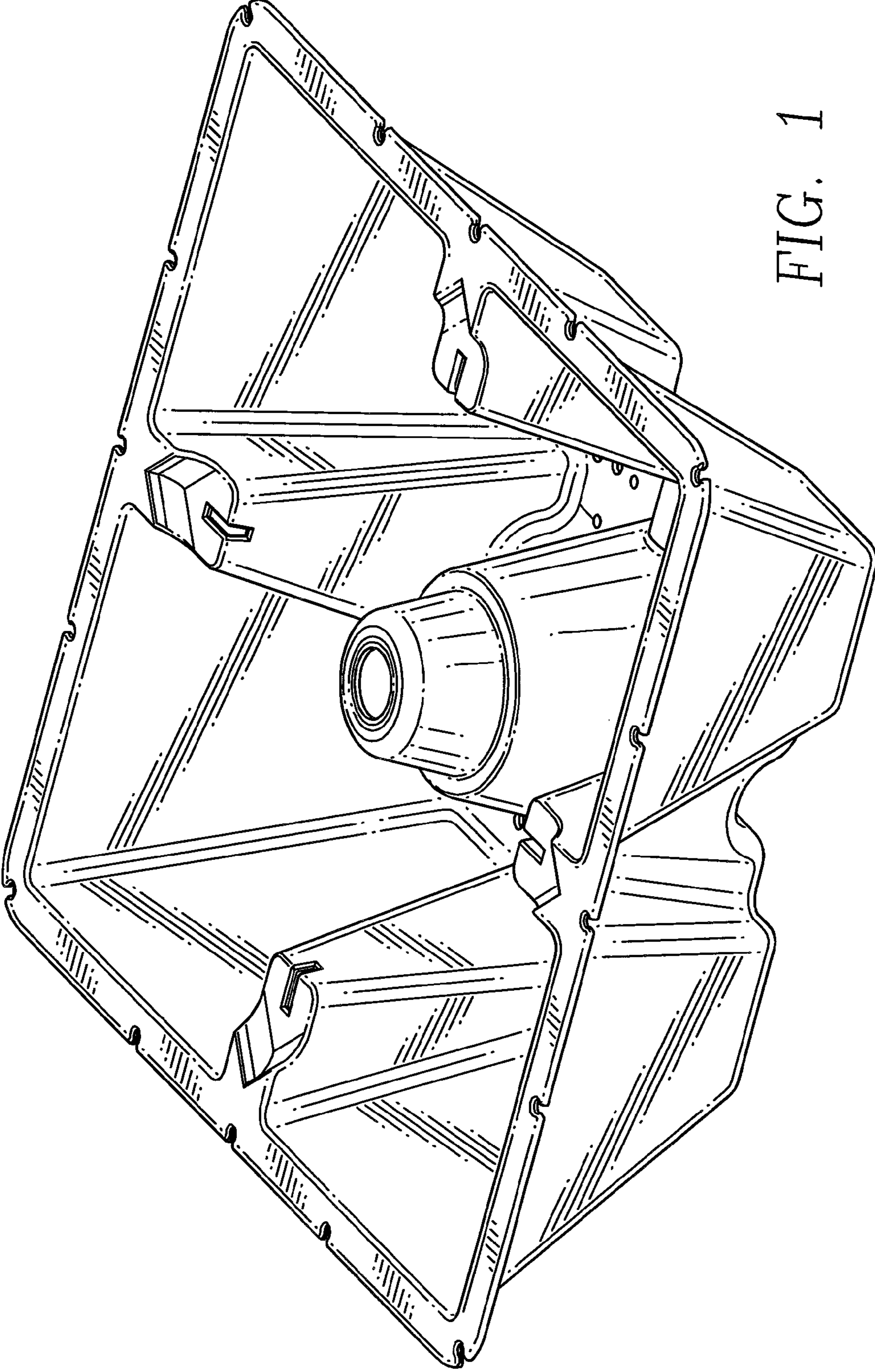


FIG. 1

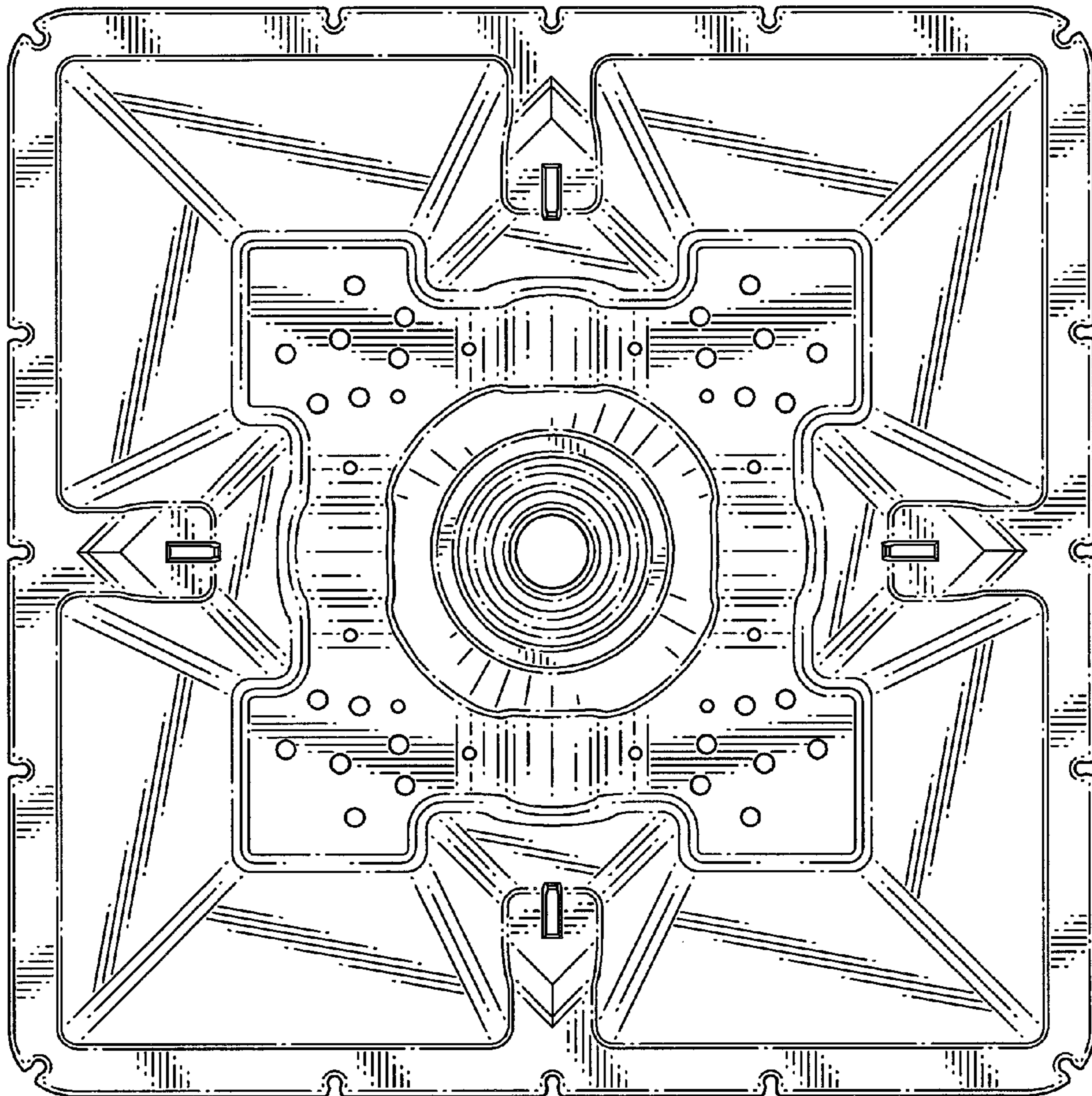


FIG. 2

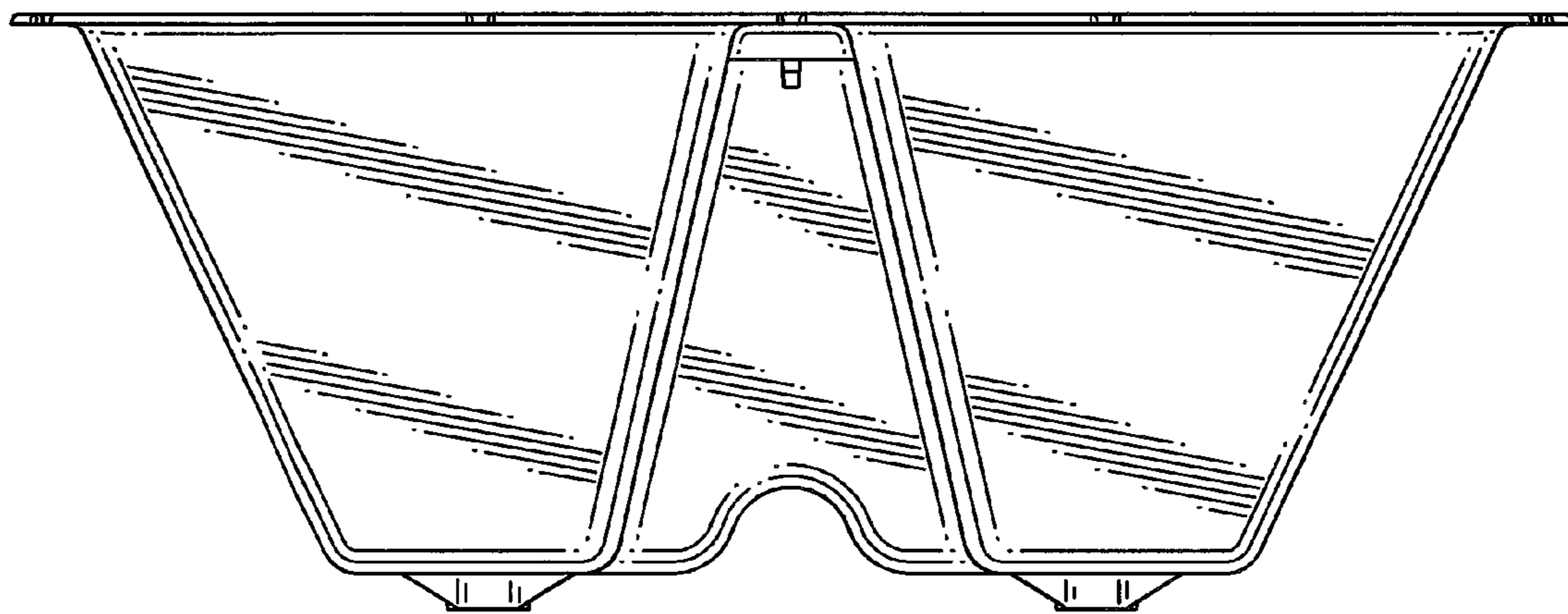


FIG. 3

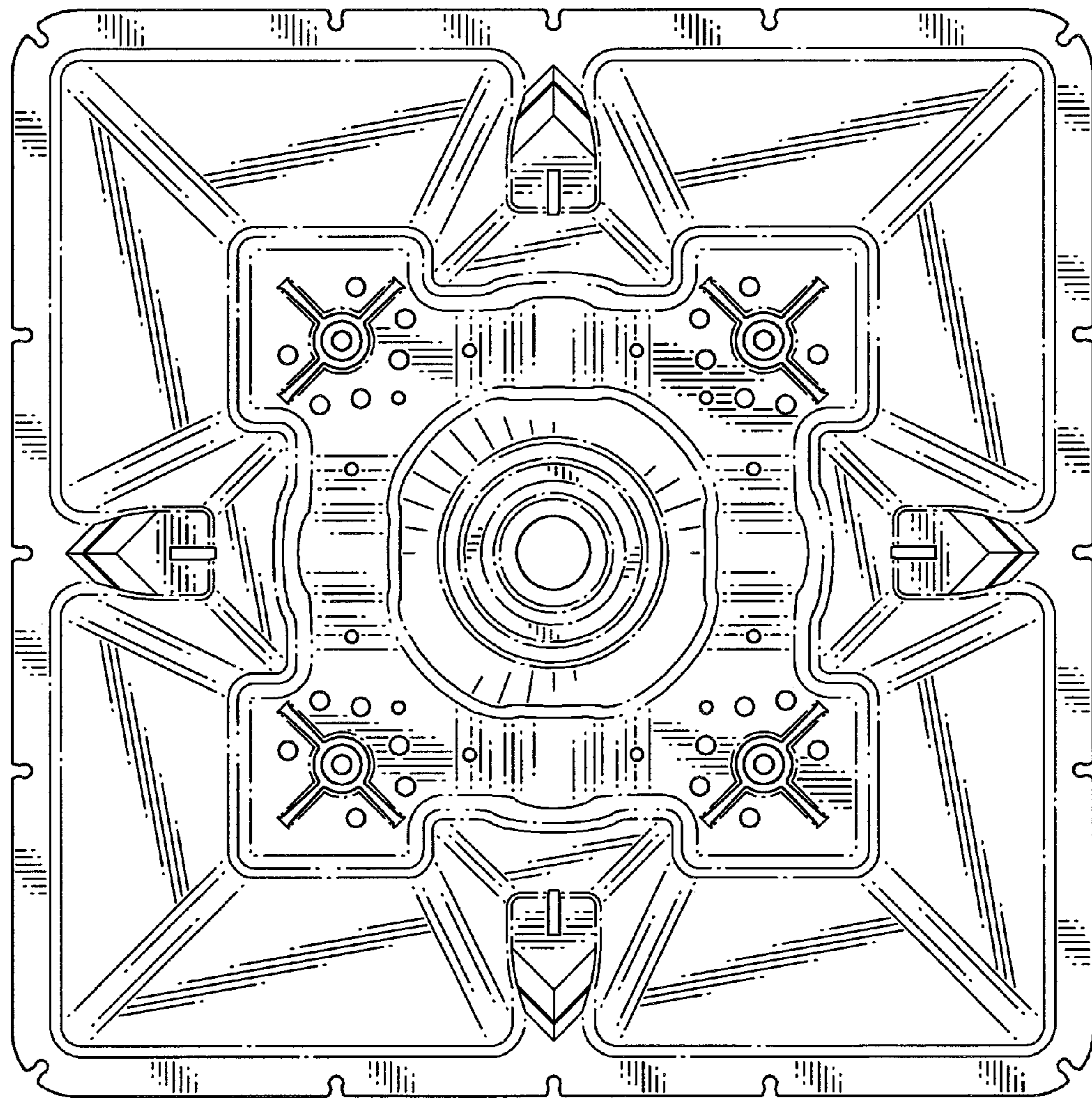


FIG. 4

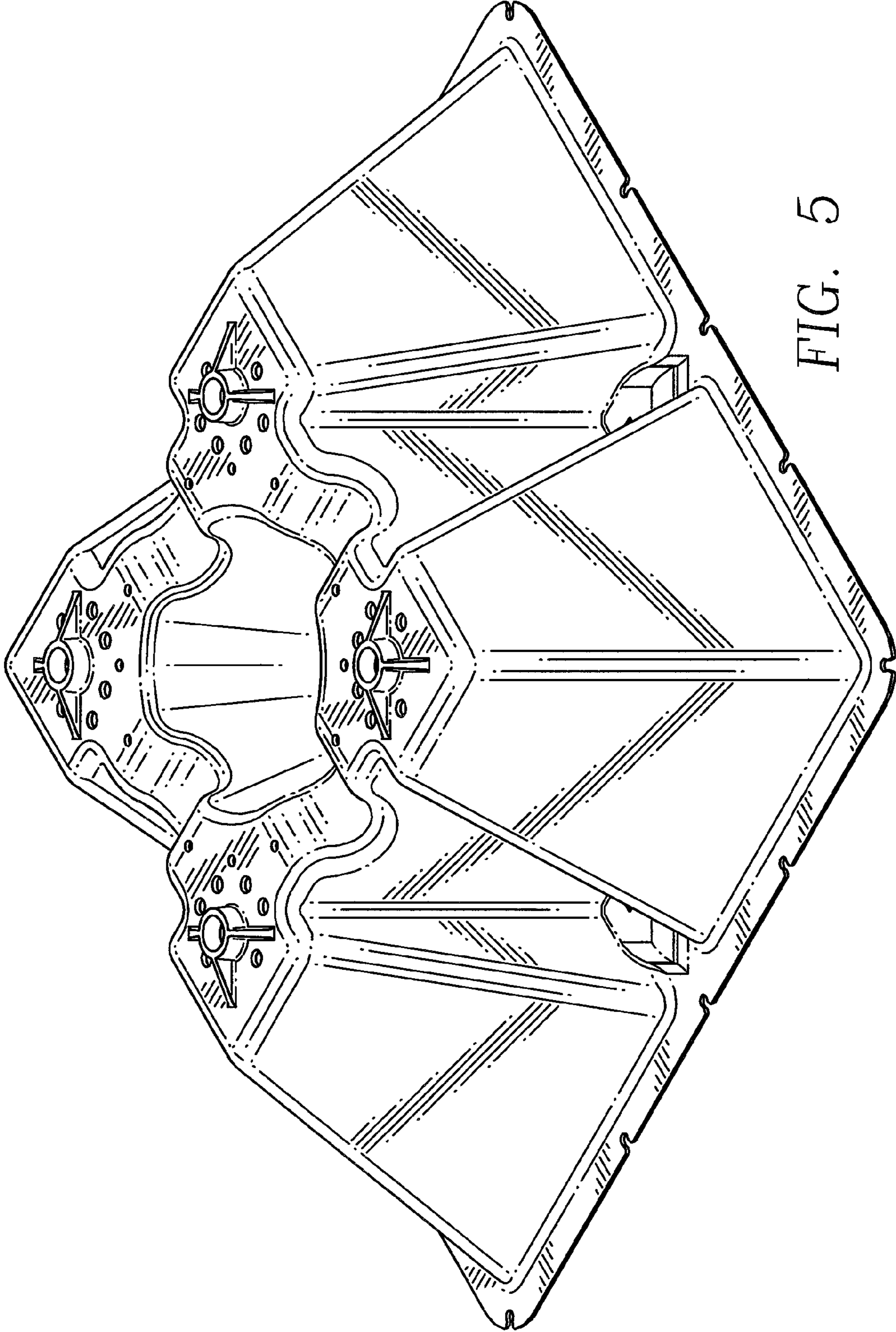


FIG. 5