

US00D627254S

(12) **United States Design Patent**
Gersh

(10) **Patent No.:** **US D627,254 S**

(45) **Date of Patent:** **** *Nov. 16, 2010**

(54) **GEMSTONE**

(75) **Inventor:** **Ruven Gersh**, c/o Schweitzer Cornman
Gross & Bondell LLP, 292 Madison
Ave., 19th Floor, New York, NY (US)
10017

(73) **Assignees:** **Ruven Gersh**, Tel Aviv (IL); **Yoram
Tzvi Berenstein**, Tel Aviv (IL)

(*) **Notice:** This patent is subject to a terminal dis-
claimer.

(**) **Term:** **14 Years**

(21) **Appl. No.:** **29/332,459**

(22) **Filed:** **Feb. 17, 2009**

(30) **Foreign Application Priority Data**

Aug. 14, 2008 (IL) 46500

(51) **LOC (9) Cl.** **11-01**

(52) **U.S. Cl.** **D11/89**

(58) **Field of Classification Search** D11/1-2,
D11/26-29, 89-92; 63/26-28, 32
See application file for complete search history.

(56) **References Cited**

U.S. PATENT DOCUMENTS

D259,548 S * 6/1981 Najjar D11/90

D275,742 S * 10/1984 Williams D11/121
D368,869 S * 4/1996 Pinchasov et al. D11/90
5,622,063 A * 4/1997 Slowinski 63/28
D466,045 S * 11/2002 Yacoubian D11/90
D467,516 S * 12/2002 Yacoubian D11/90
D528,461 S * 9/2006 Siman-Tov et al. D11/90
D554,558 S * 11/2007 Siman-Tov et al. D11/90
D584,988 S * 1/2009 Meyer D11/89
D596,067 S * 7/2009 Gersh D11/89

* cited by examiner

Primary Examiner—Ralf Seifert

(74) *Attorney, Agent, or Firm*—Ladas & Parry LLP

(57) **CLAIM**

The ornamental design for a gemstone, as shown and
described.

DESCRIPTION

FIG. 1 is a front top perspective view of a gemstone showing
my new design;

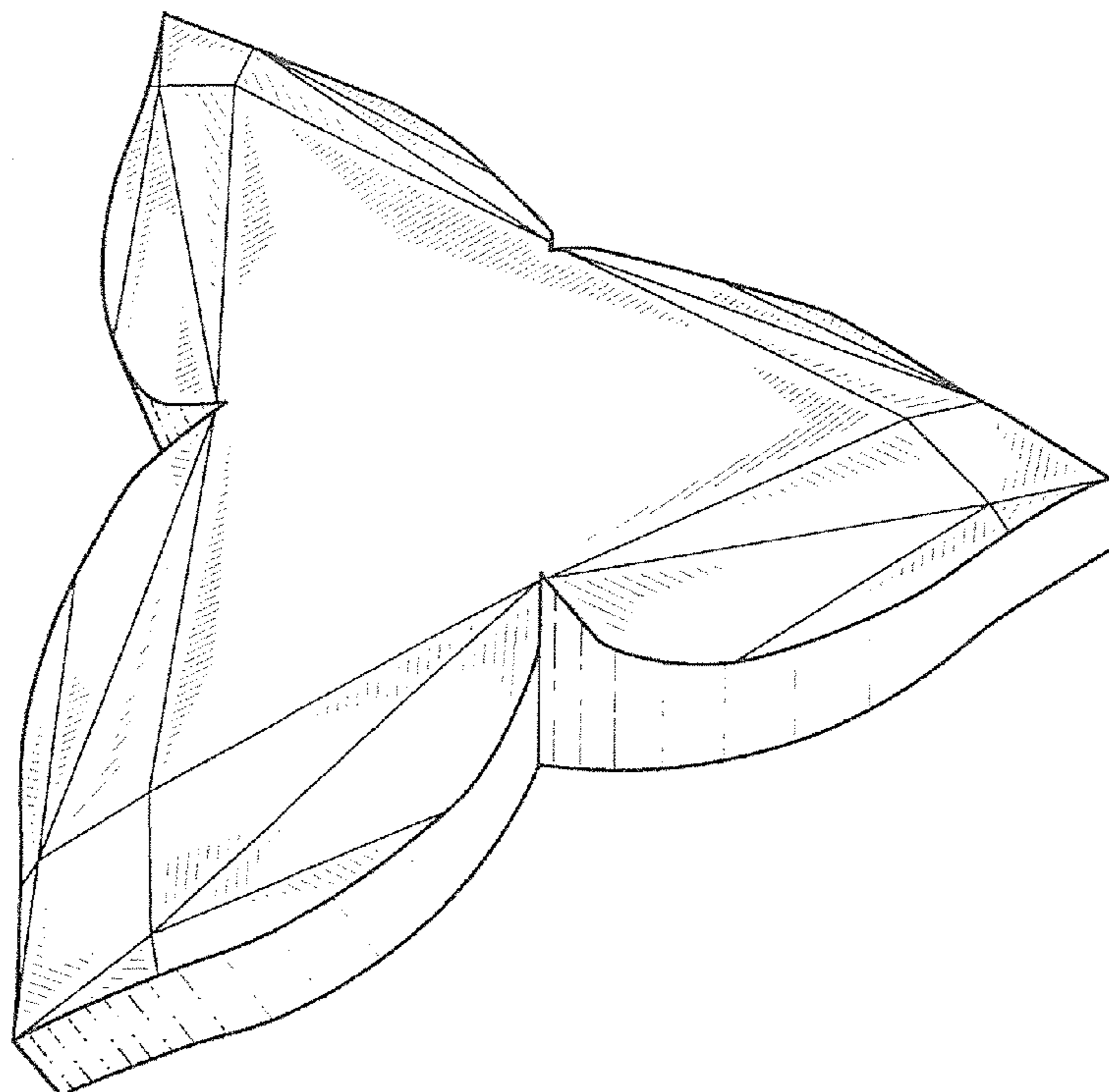
FIG. 2 is a front left side perspective view;

FIG. 3 is a front right side perspective view;

FIG. 4 is a back plan view; and,

FIG. 5 is a front plan view.

1 Claim, 5 Drawing Sheets



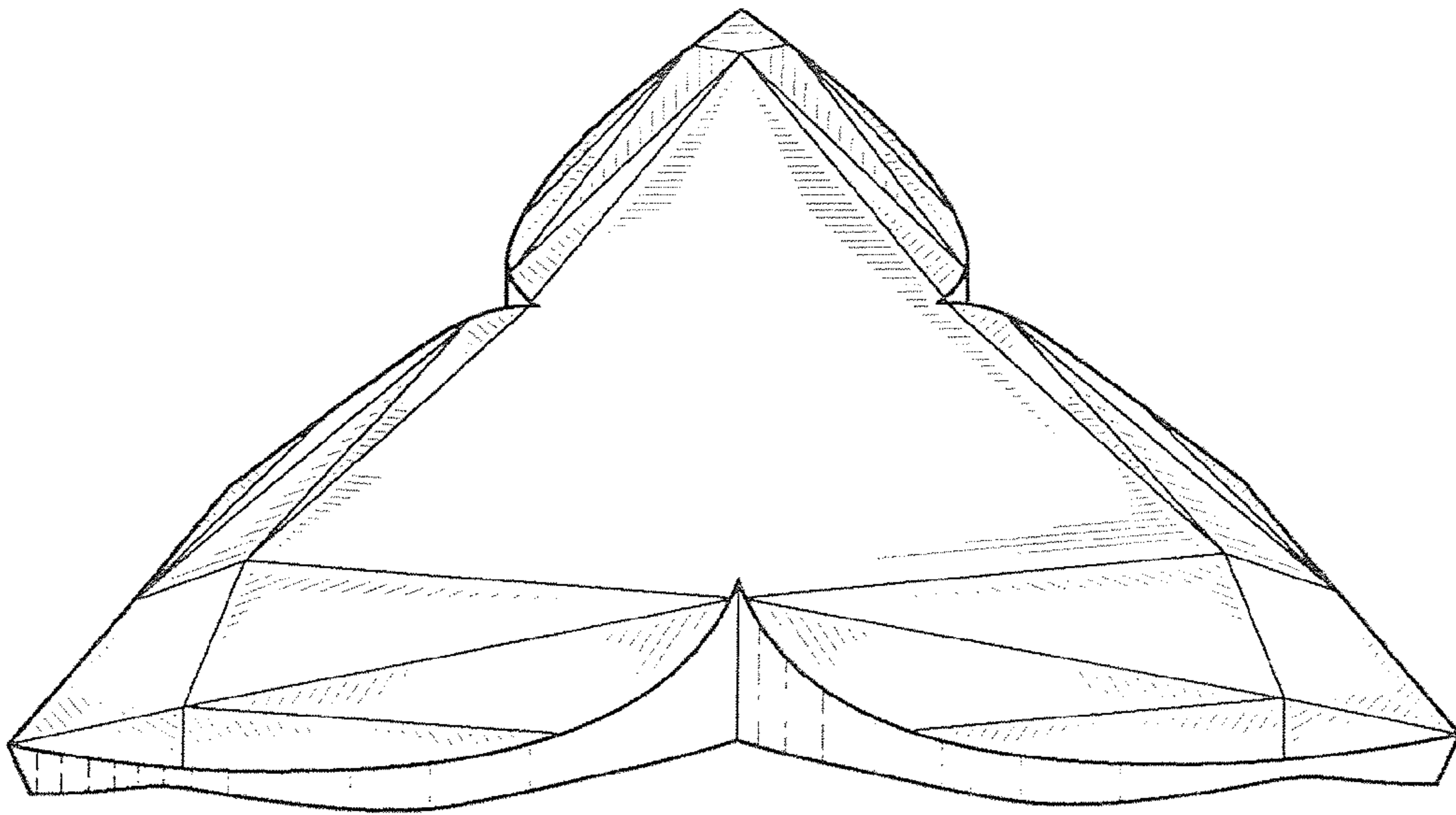


FIG. 1

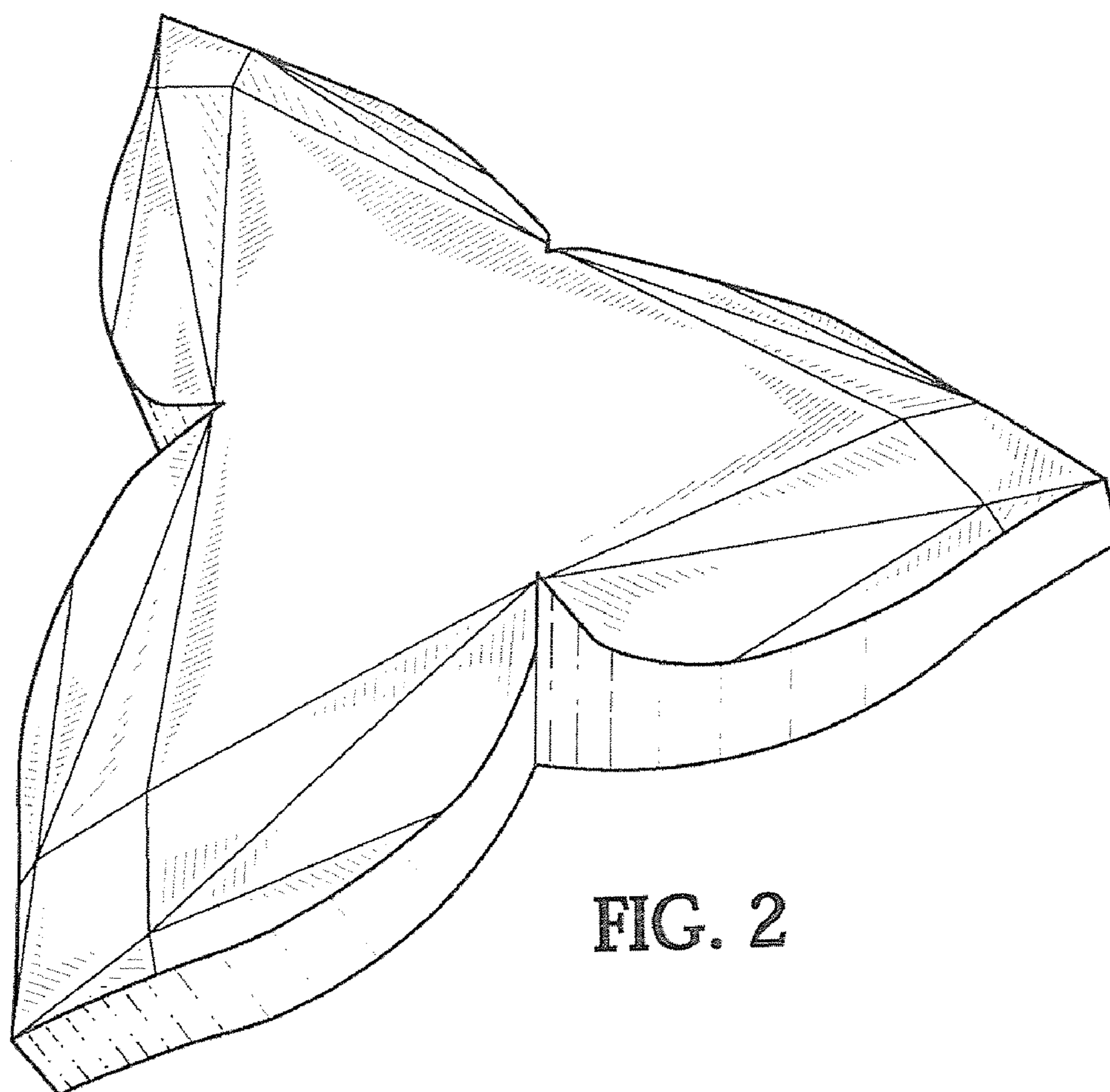


FIG. 2

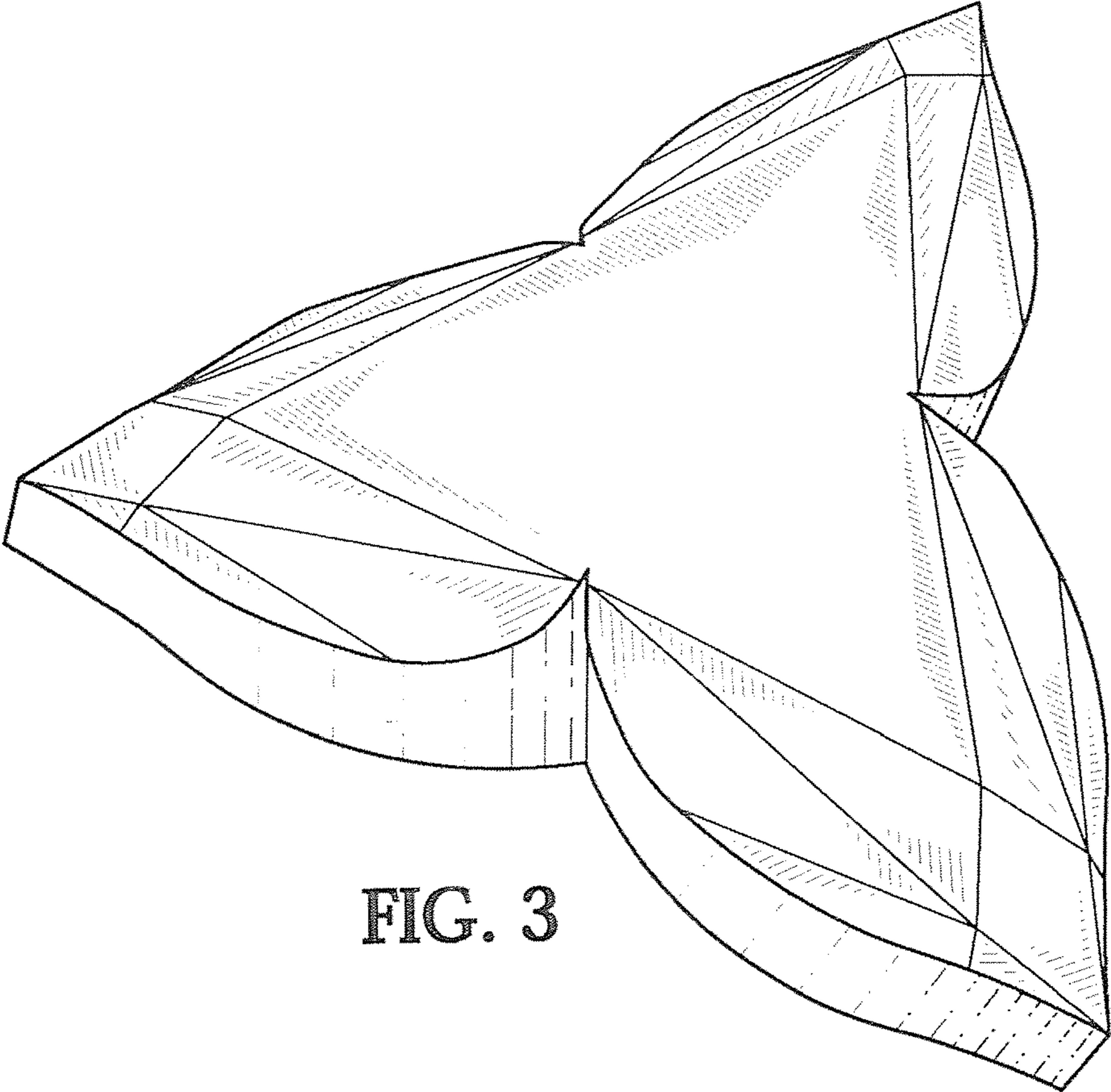


FIG. 3

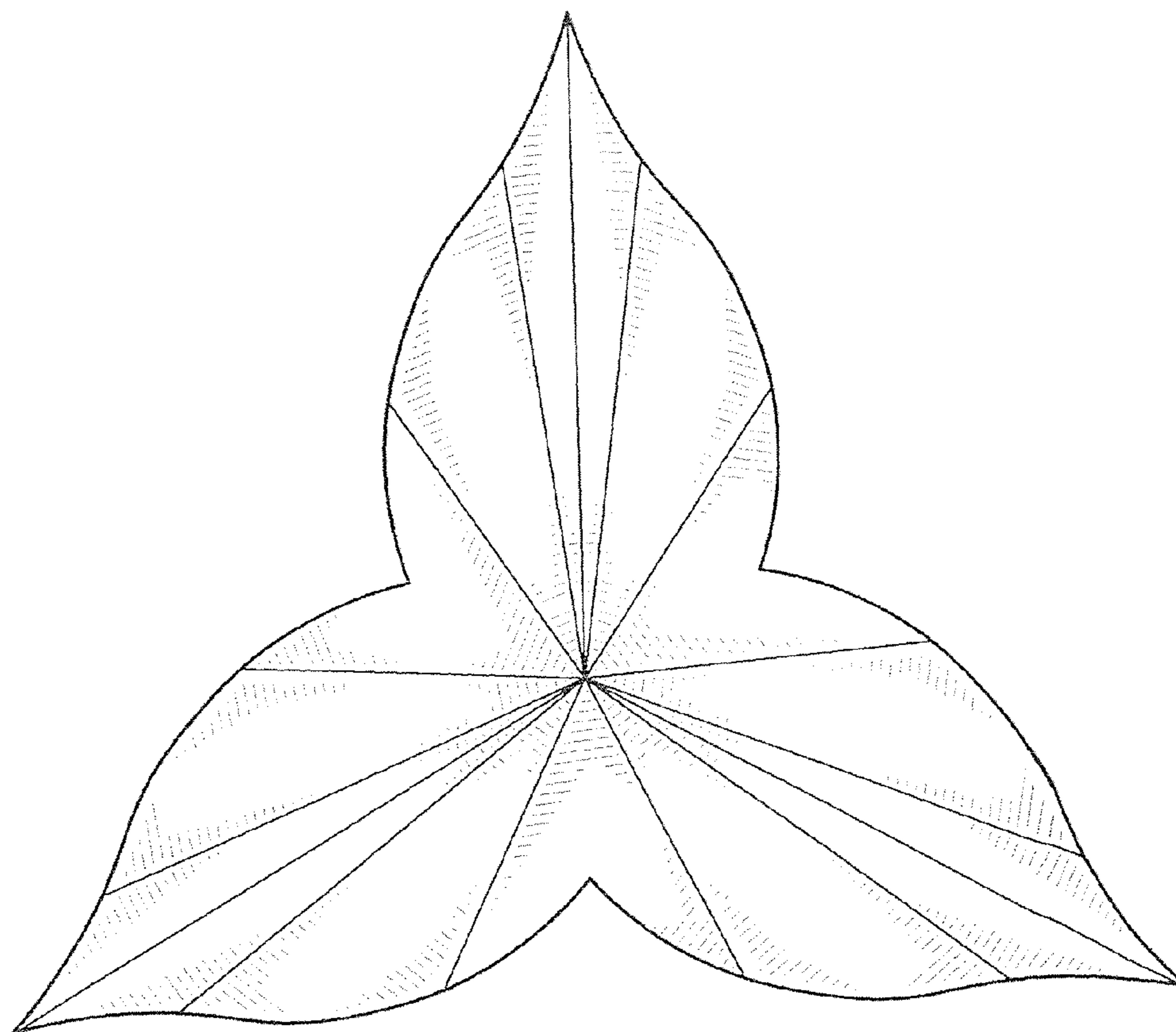


FIG. 4

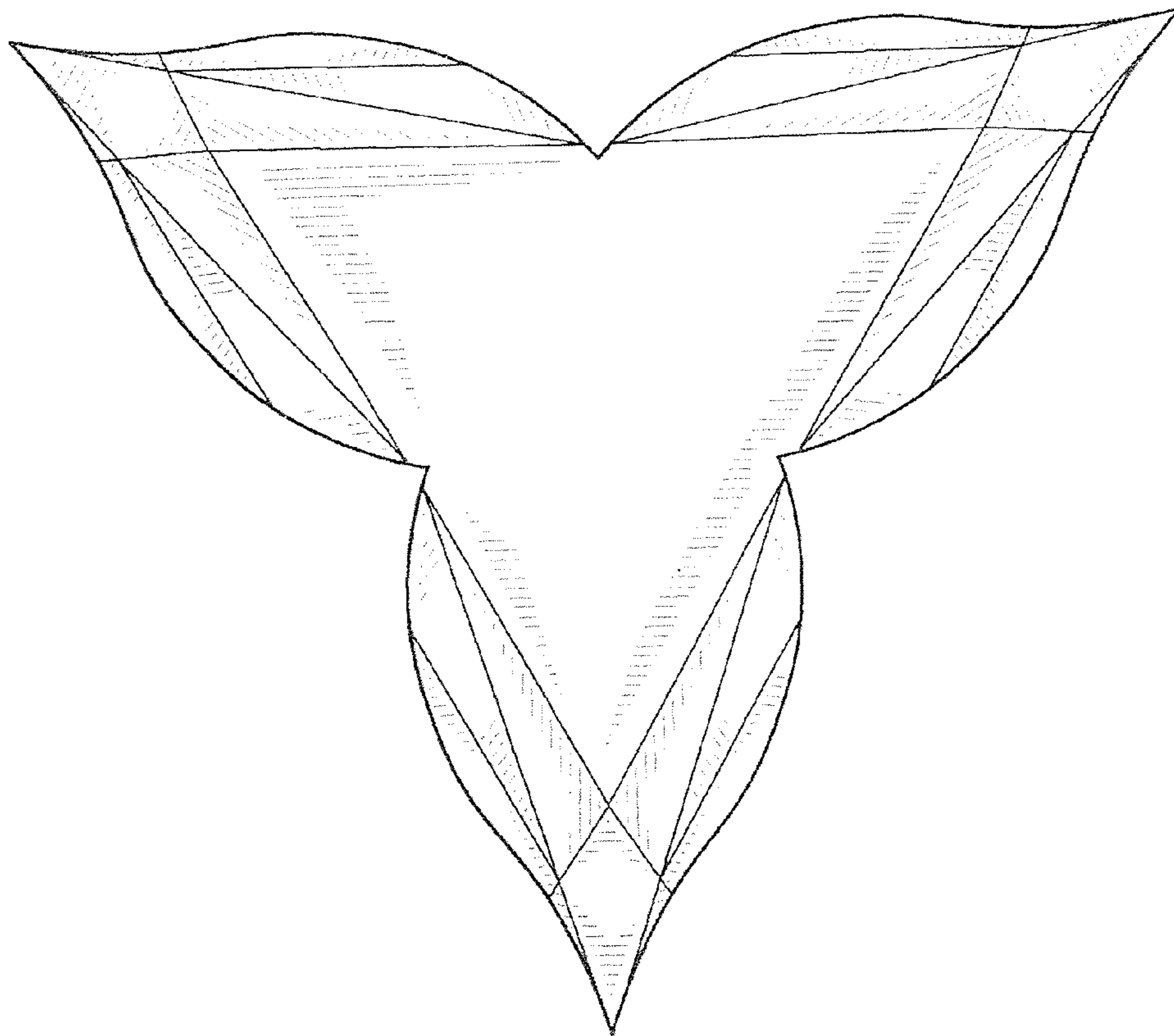


FIG. 5