



US00D627246S

(12) **United States Design Patent**
Harrison et al.

(10) **Patent No.:** **US D627,246 S**

(45) **Date of Patent:** **** Nov. 16, 2010**

(54) **BATTERY PACK RECEIVING AREA AND CONNECTION TERMINALS FOR A LOW CURRENT DRAW DEVICE**

(75) Inventors: **Ryan Harrison**, Anderson, SC (US);
Taku Ohi, Greer, SC (US)

(73) Assignee: **Techtronic Power Tools Technology Limited**, Tortola (VG)

(**) Term: **14 Years**

(21) Appl. No.: **29/314,349**

(22) Filed: **Mar. 23, 2009**

(51) **LOC (9) Cl.** **10-04**

(52) **U.S. Cl.** **D10/80**

(58) **Field of Classification Search** D10/46,
D10/78, 80; 320/107, 112-114; 429/98-100;
439/142

See application file for complete search history.

(56) **References Cited**

U.S. PATENT DOCUMENTS

D340,912 S	11/1993	Miller	
6,274,266 B1 *	8/2001	Wang	429/163
D464,622 S	10/2002	Donnelly	
D482,365 S	11/2003	Yamagishi et al.	
D582,417 S	12/2008	Sheba et al.	
D582,419 S	12/2008	Sheba et al.	
7,755,323 B2 *	7/2010	Wu	320/114

* cited by examiner

Primary Examiner—Antoine D Davis

(74) *Attorney, Agent, or Firm*—Michael Best & Friedrich LLP

(57) **CLAIM**

We claim the ornamental design for a battery pack receiving area and connection terminals for a low current draw device, as shown and described.

DESCRIPTION

FIG. 1 is a front perspective view of a battery pack receiving area and connection terminals for a low current draw device of the present invention.

FIG. 2 is a top view of the battery pack receiving area and connection terminals of FIG. 1.

FIG. 3 is a left side view of the battery pack receiving area and connection terminals of FIG. 1.

FIG. 4 is a left side cross-sectional view of the battery pack receiving area and connection terminals of FIG. 1 along sectioning line 4—4 (shown in FIG. 2).

FIG. 5 is a right side cross-sectional view of the battery pack receiving area and connection terminals of FIG. 1 along sectioning line 5—5 (shown in FIG. 2).

FIG. 6 is a rear cross-sectional view of the battery pack receiving area and connection terminals of FIG. 1 along sectioning line 6—6 (shown in FIG. 2).

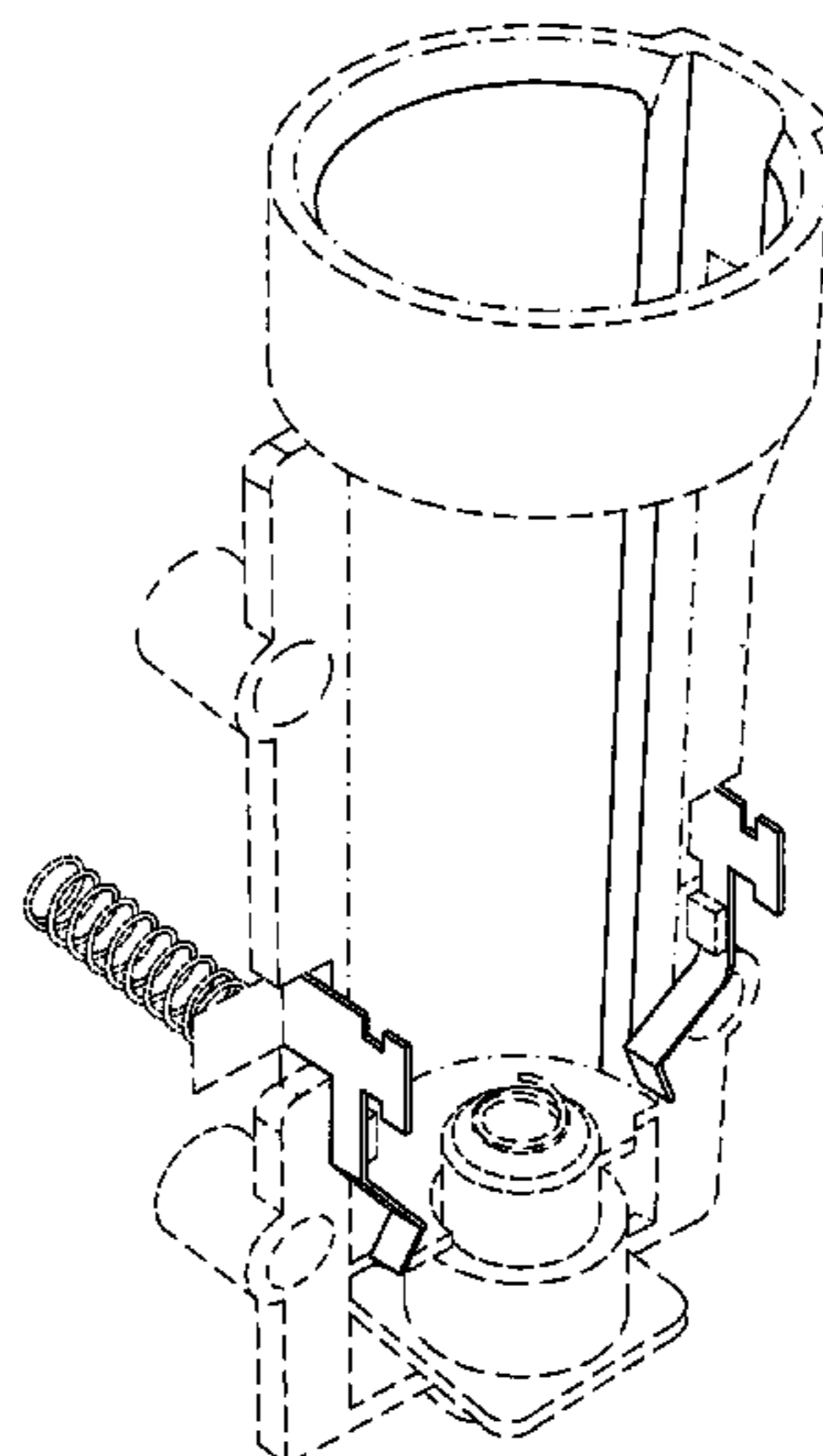
FIG. 7 is a front cross-sectional view of the battery pack receiving area and connection terminals of FIG. 1 along sectioning line 7—7 (shown in FIG. 2).

FIG. 8 is a top cross-sectional view of the battery pack receiving area and connection terminals of FIG. 1 along sectioning line 8—8 (shown in FIG. 3); and,

FIG. 9 is a bottom cross-sectional view of the battery pack receiving area and connection terminals of FIG. 1 along sectioning line 9—9 (shown in FIG. 3).

The portions of the design shown in broken lines are included for the purpose of illustrating environment and form no part of the claimed design. The portions of the design shown in broken lines having unequal segments illustrate the boundary of the claimed design and form no part of the claimed design.

1 Claim, 9 Drawing Sheets



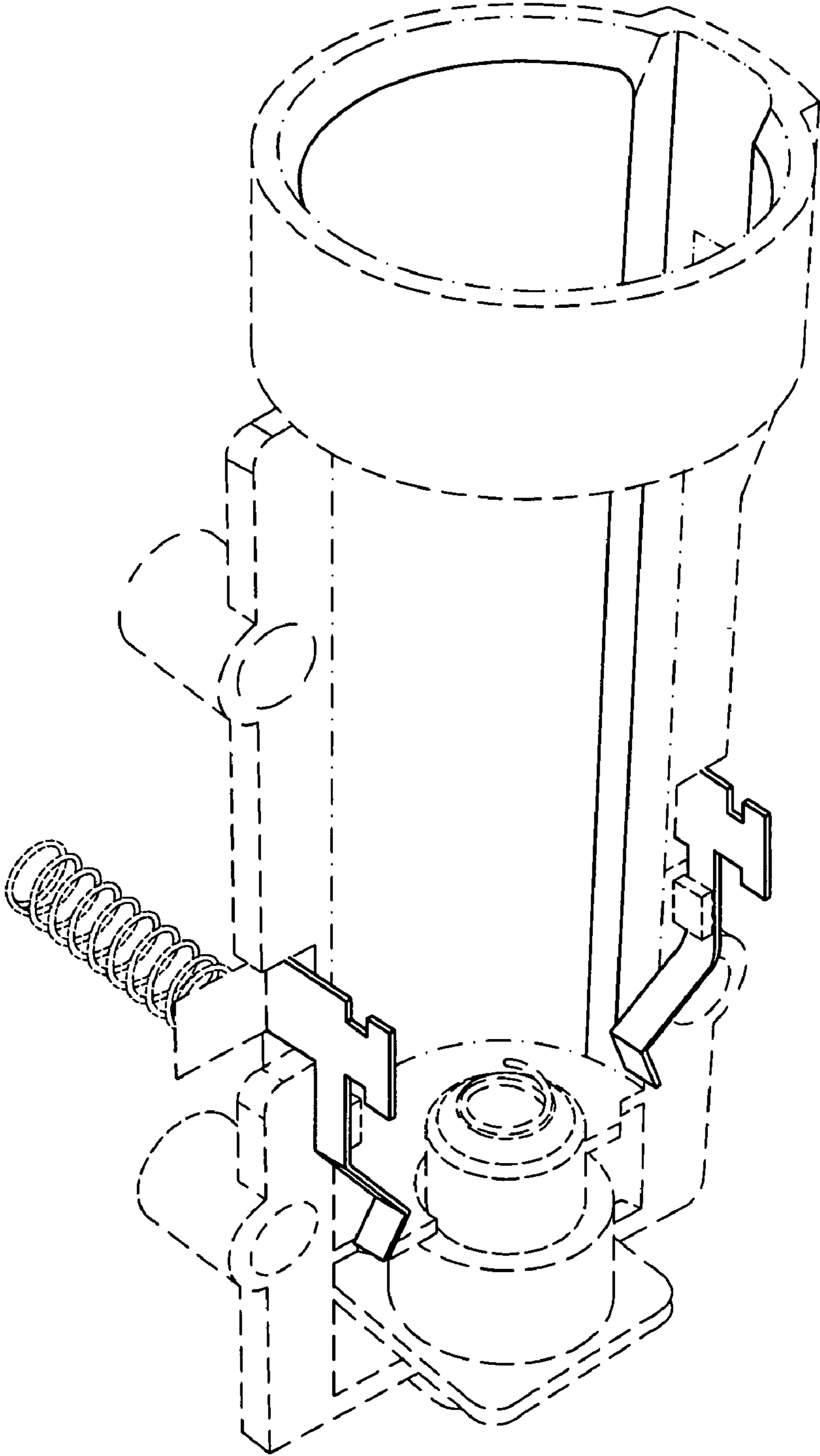


Fig. 1

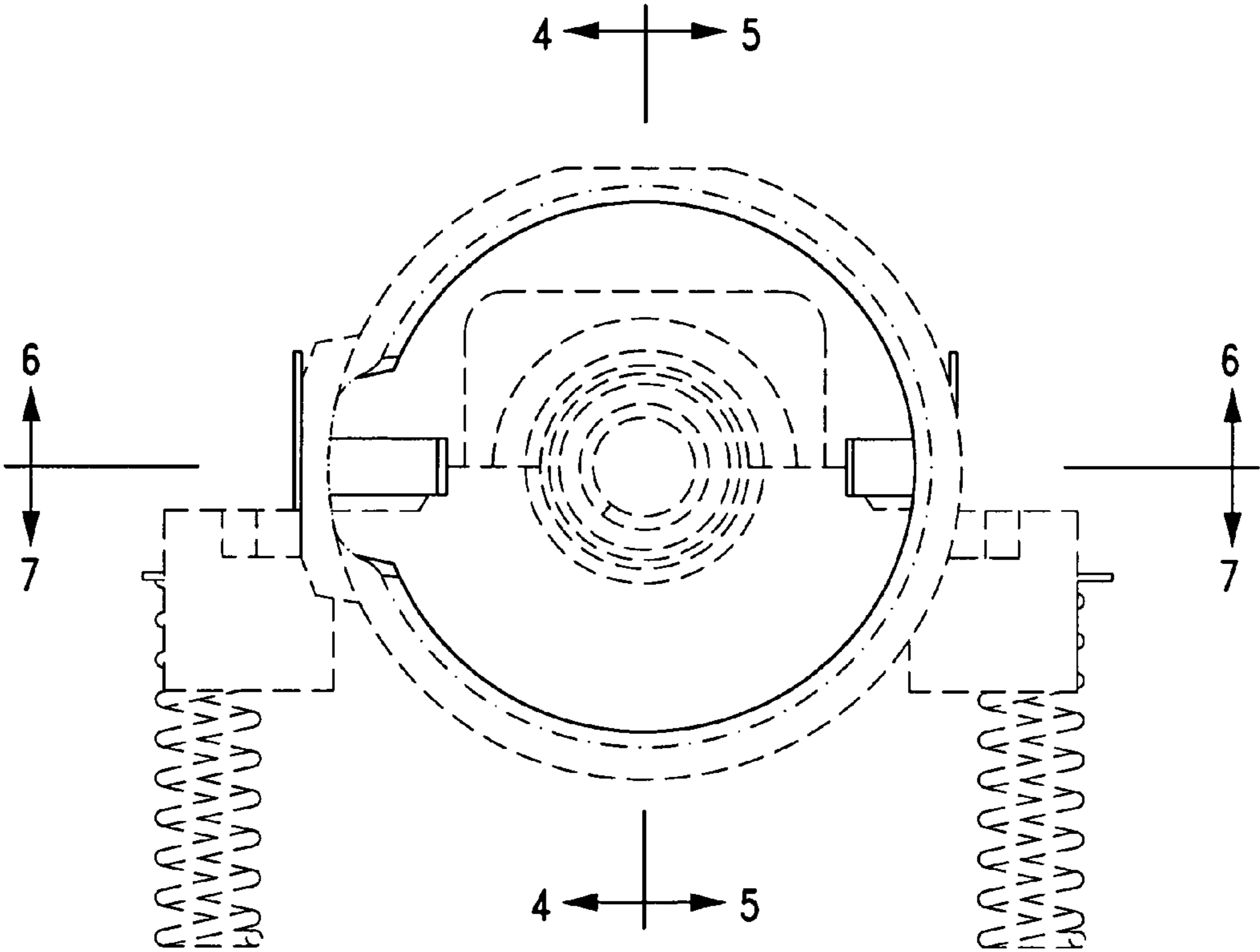


Fig. 2

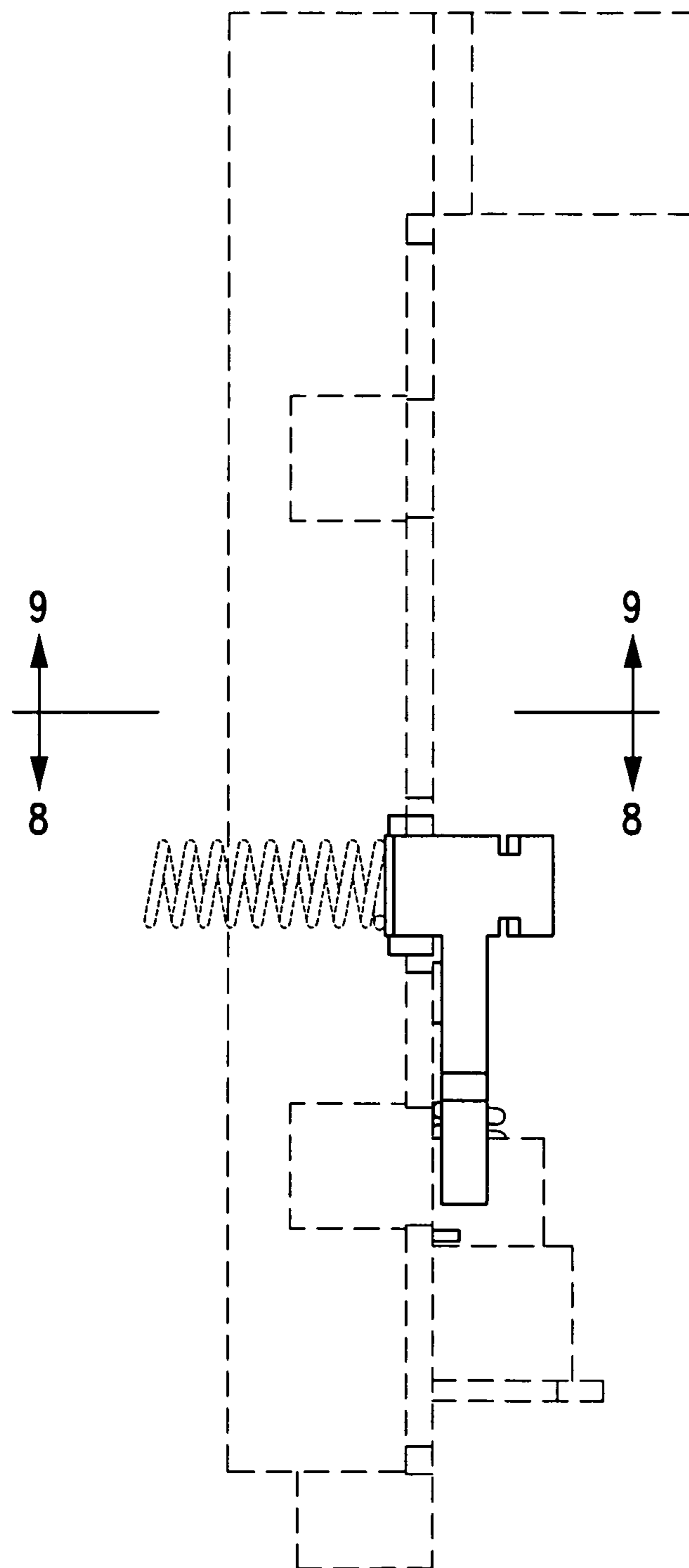


Fig. 3

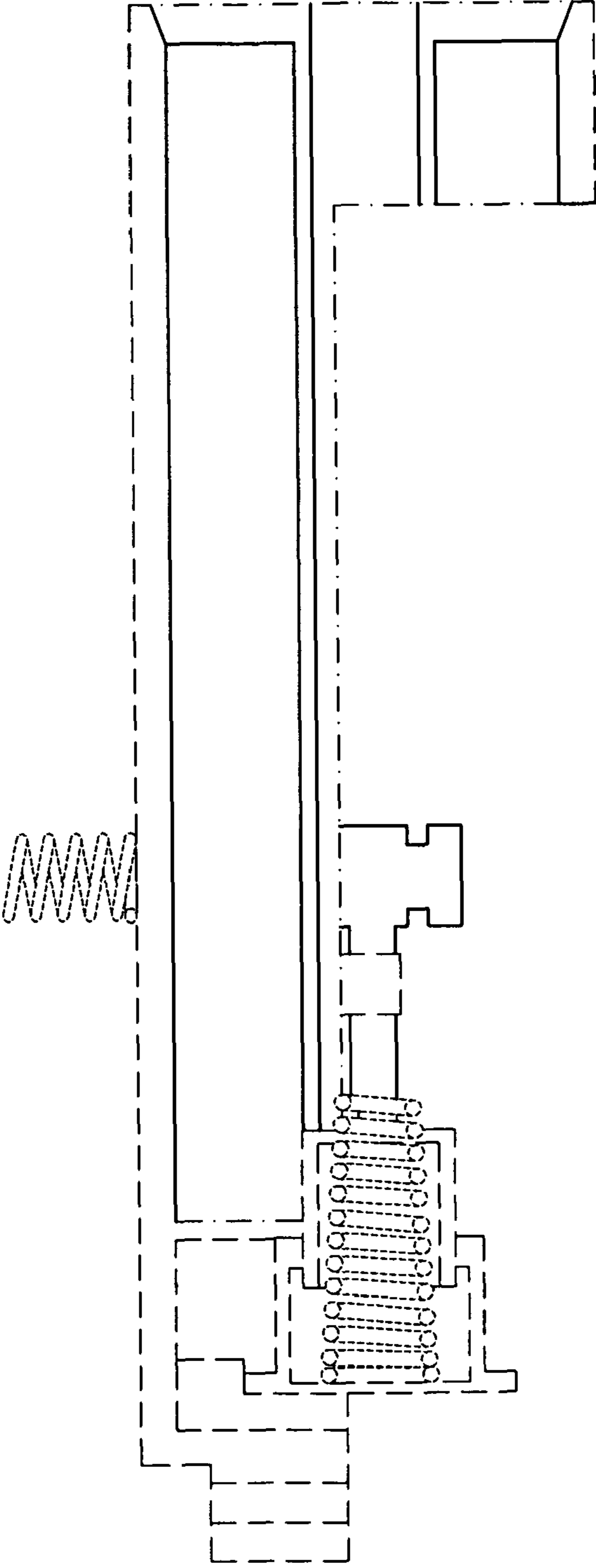


Fig. 4

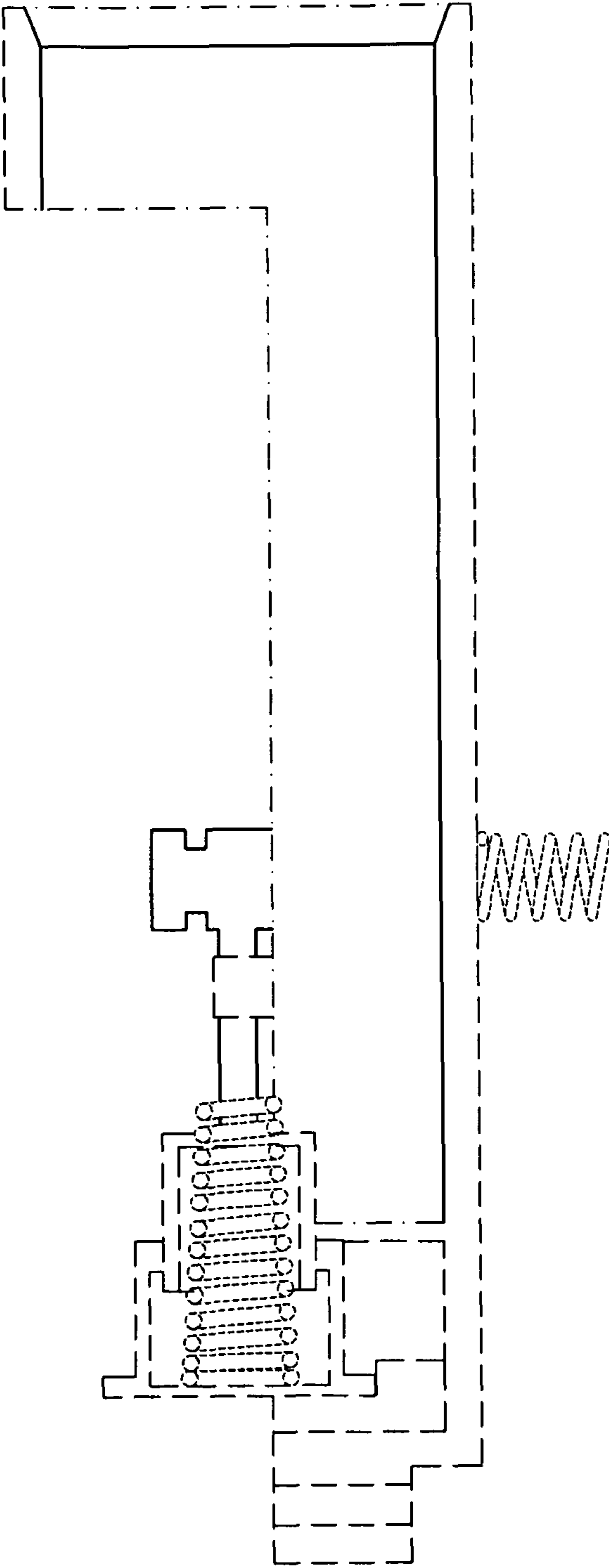


Fig. 5

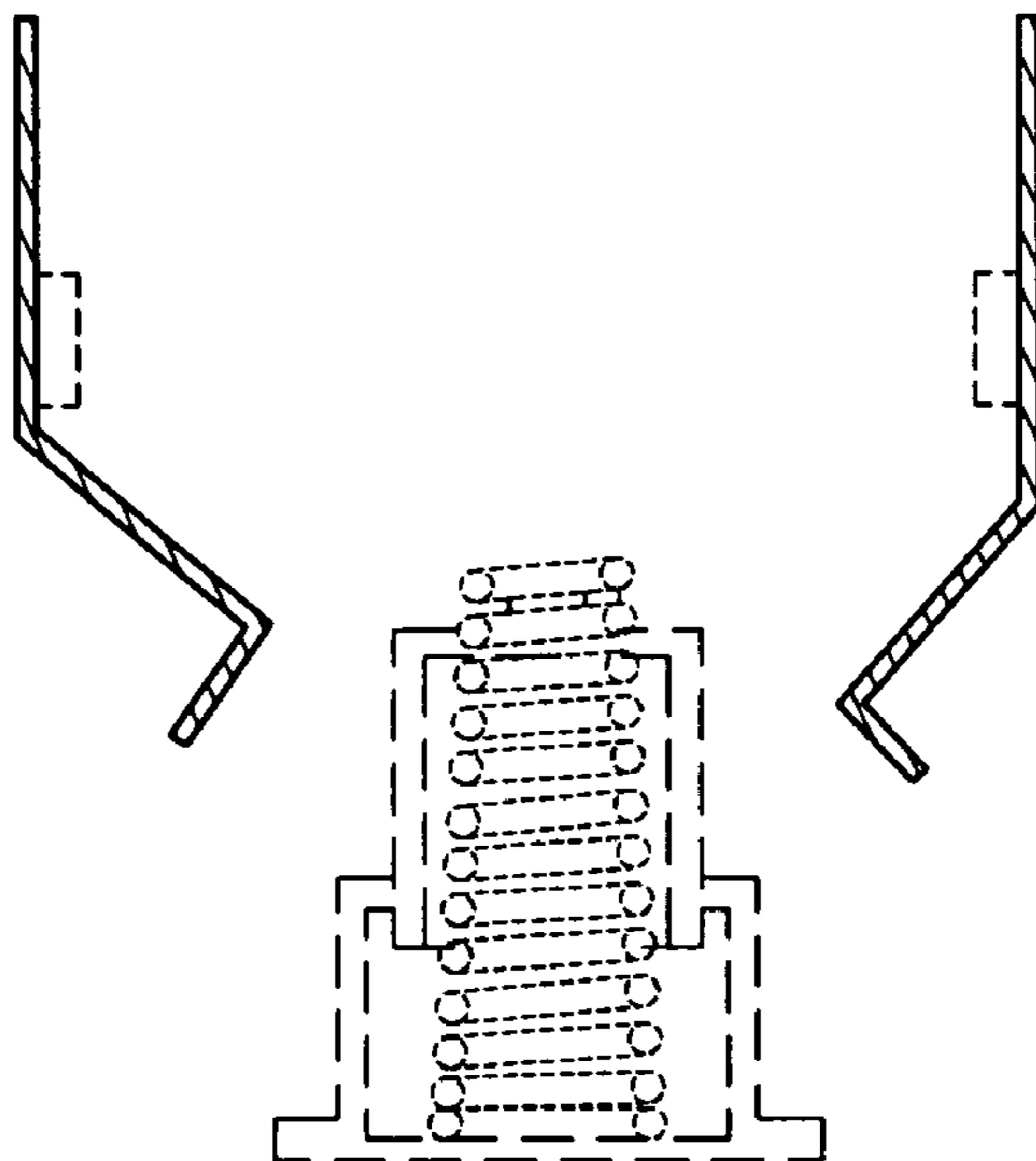
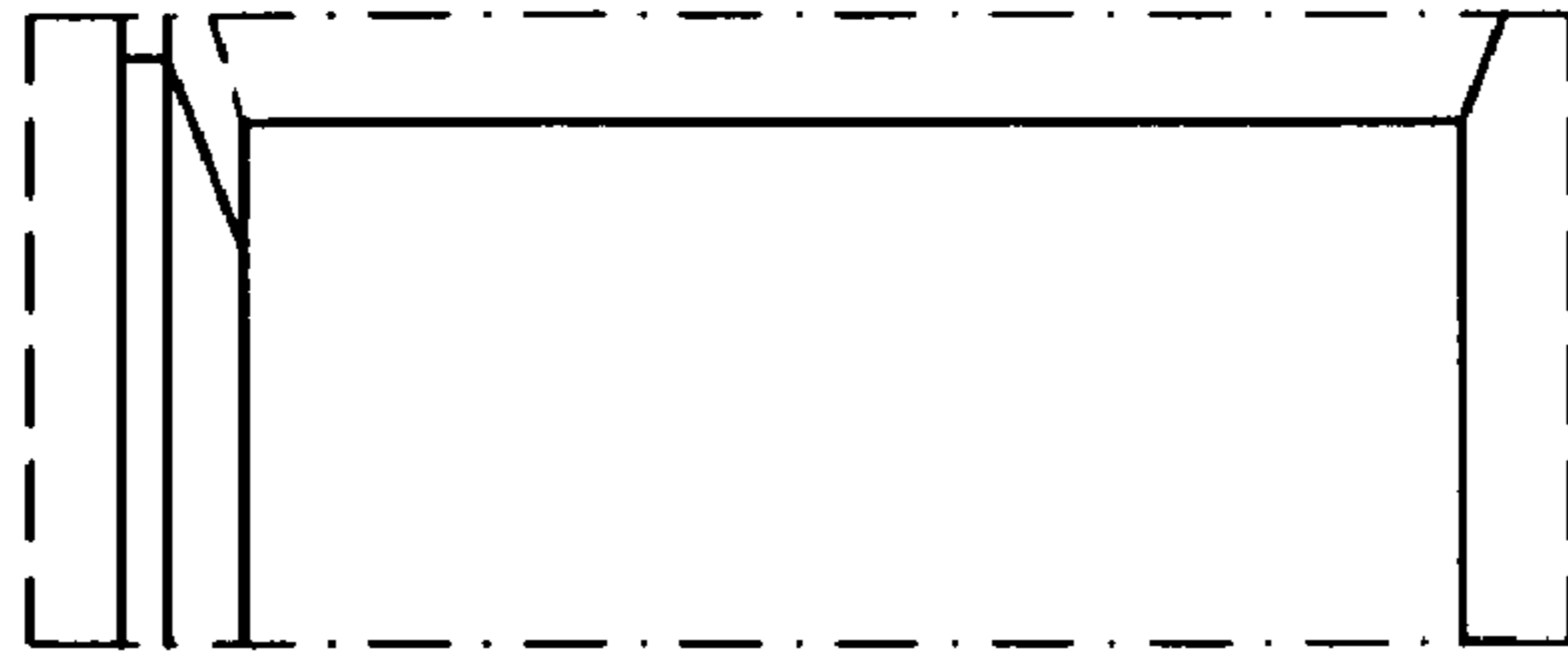


Fig. 6

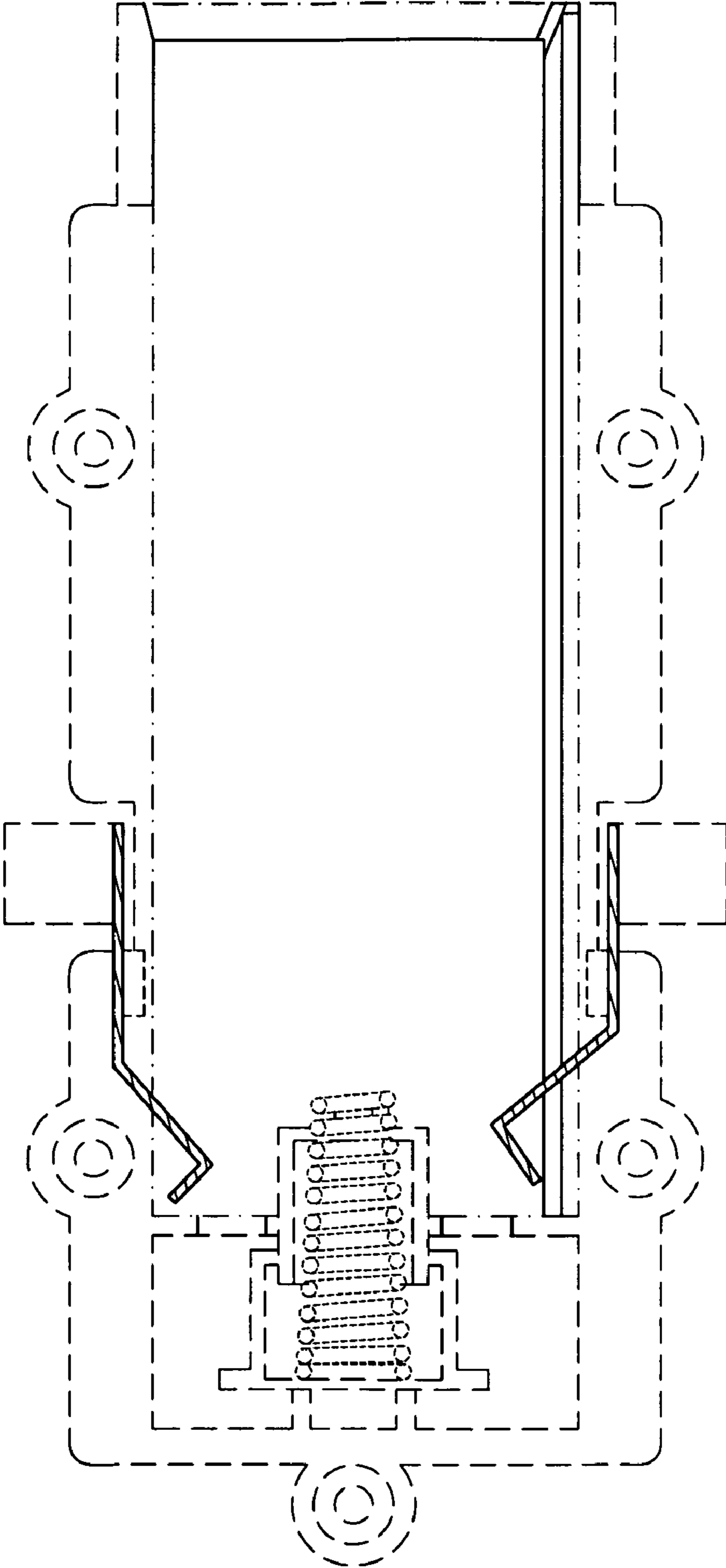


Fig. 7

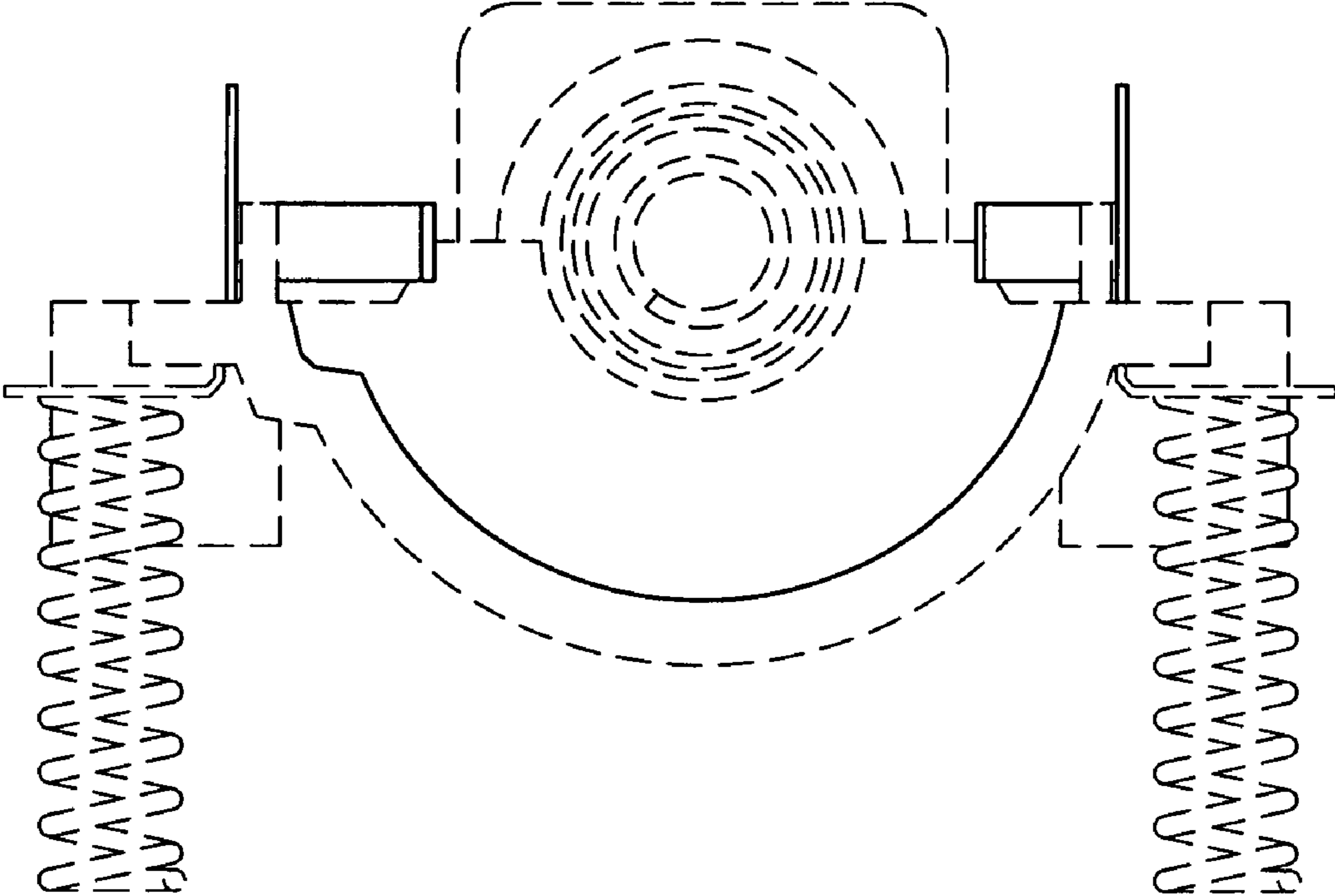


Fig. 8

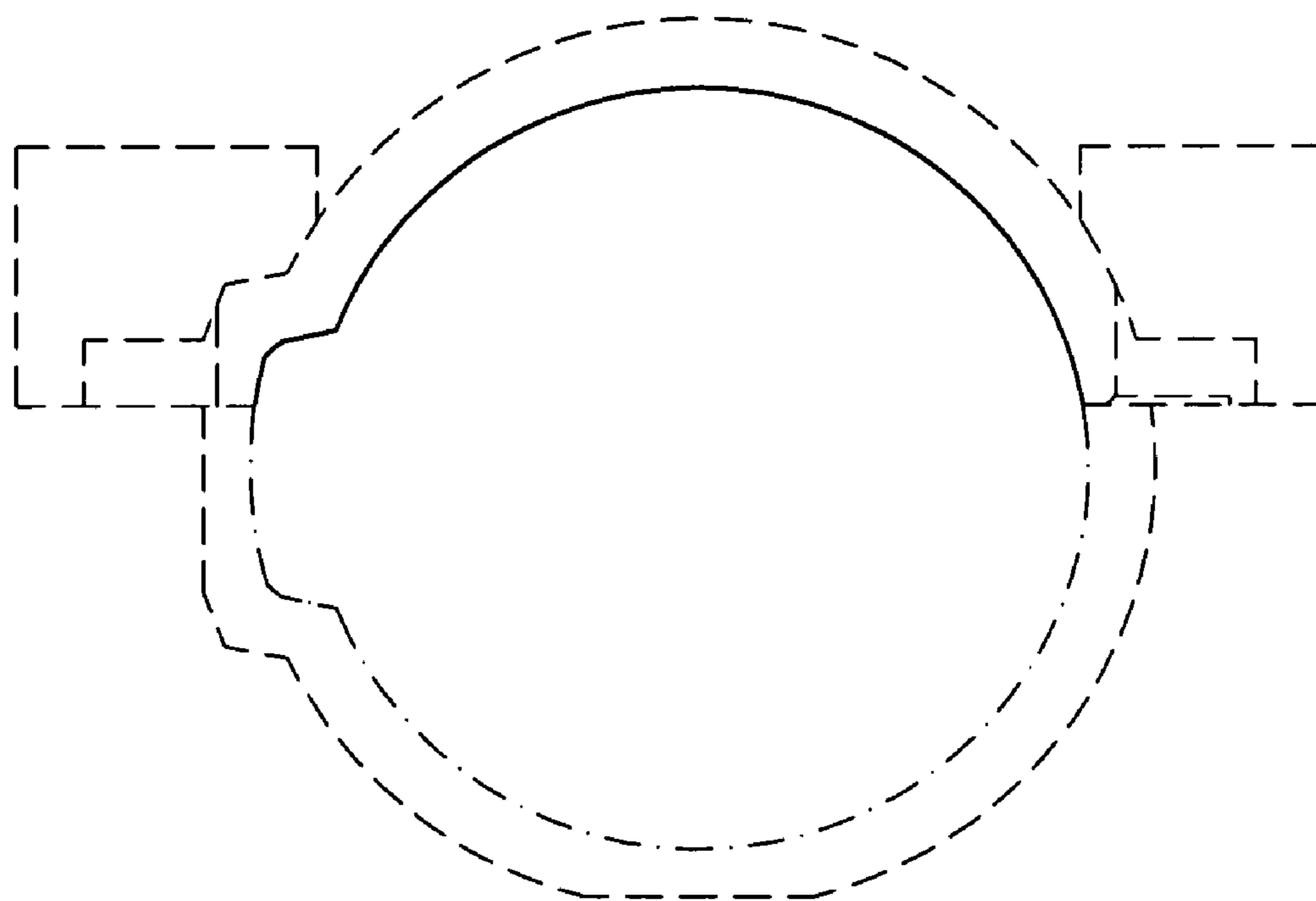


Fig. 9