



US00D627241S

(12) **United States Design Patent**
Thevenaz

(10) **Patent No.:** **US D627,241 S**

(45) **Date of Patent:** **** Nov. 16, 2010**

(54) **WATCH CASE**

(75) **Inventor:** **Cristina Thevenaz**, Genève (CH)

(73) **Assignee:** **Delaneau SA**, Genève (CH)

(**) **Term:** **14 Years**

(21) **Appl. No.:** **29/365,726**

(22) **Filed:** **Jul. 14, 2010**

(30) **Foreign Application Priority Data**

Jan. 15, 2010 (WO) DM/072 918

(51) **LOC (9) Cl.** **10-02**

(52) **U.S. Cl.** **D10/38**

(58) **Field of Classification Search** D10/30-39;
368/276, 281, 282, 285

See application file for complete search history.

(56) **References Cited**

U.S. PATENT DOCUMENTS

- D111,863 S * 10/1938 Stegeman D10/38
- D112,263 S * 11/1938 Wadsworth D10/38
- D112,618 S * 12/1938 Schwankhaus D10/38
- D113,771 S * 3/1939 Stegeman D10/38
- 4,470,708 A * 9/1984 Nee 368/276

- D396,652 S * 8/1998 Voegeli D10/32
- D430,041 S * 8/2000 Pequignet D10/32
- D447,704 S * 9/2001 Deguines D10/39
- D503,896 S * 4/2005 Vidal D10/39
- D520,382 S * 5/2006 Vigneron D10/32
- D575,167 S * 8/2008 Giannini D10/32
- D577,609 S * 9/2008 Modolo D10/32

* cited by examiner

Primary Examiner—Lucy Lieberman

(74) *Attorney, Agent, or Firm*—McGlew and Tuttle, P.C.

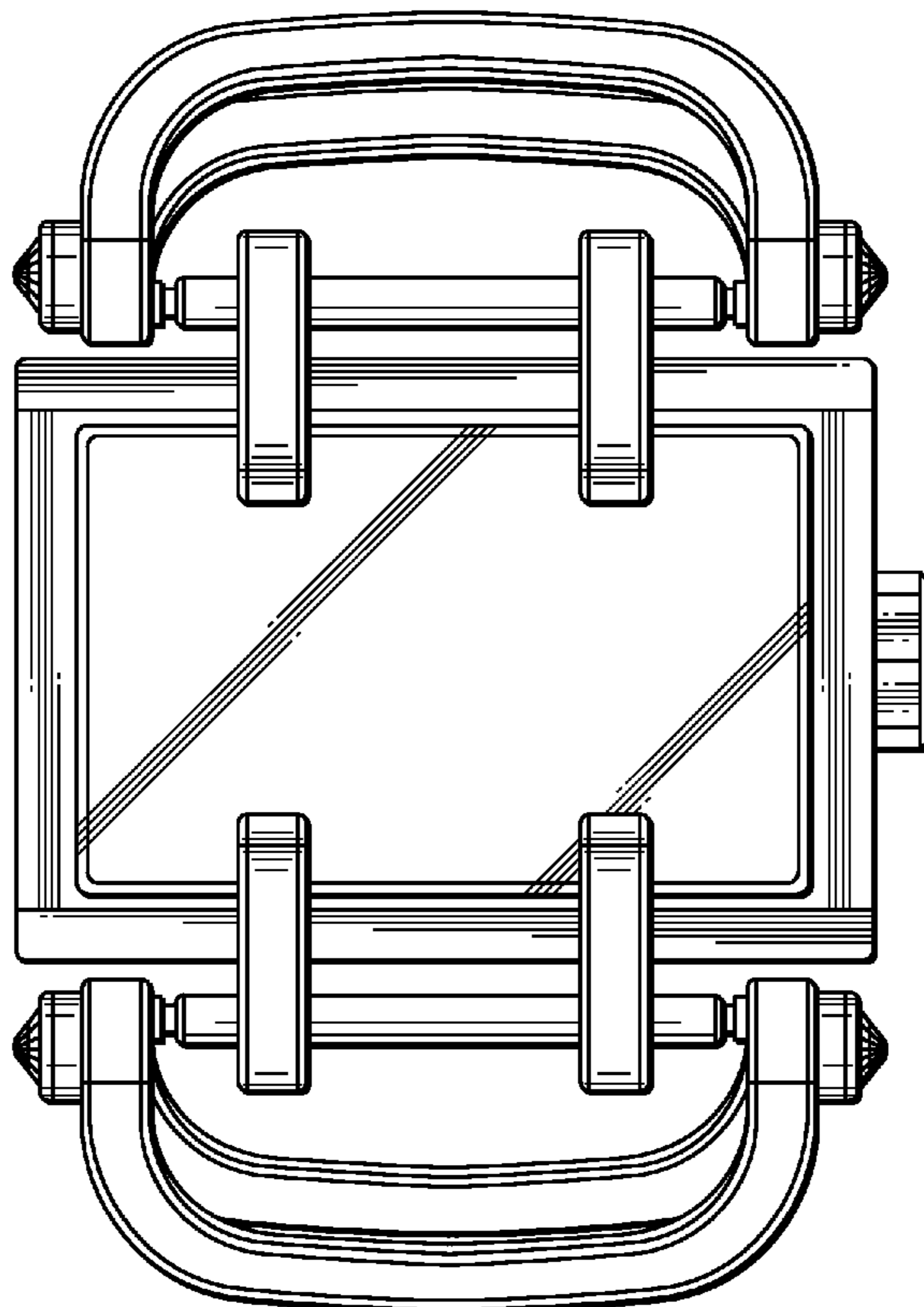
(57) **CLAIM**

The ornamental design for a watch case, as shown and described.

DESCRIPTION

FIG. 1 is a left side view of my new watch case design;
 FIG. 2 is a right side view thereof;
 FIG. 3 is a bottom view thereof;
 FIG. 4 is an end view thereof;
 FIG. 5 is a top view thereof;
 FIG. 6 is top right perspective view thereof; and,
 FIG. 7 is a bottom right perspective view thereof.

1 Claim, 5 Drawing Sheets



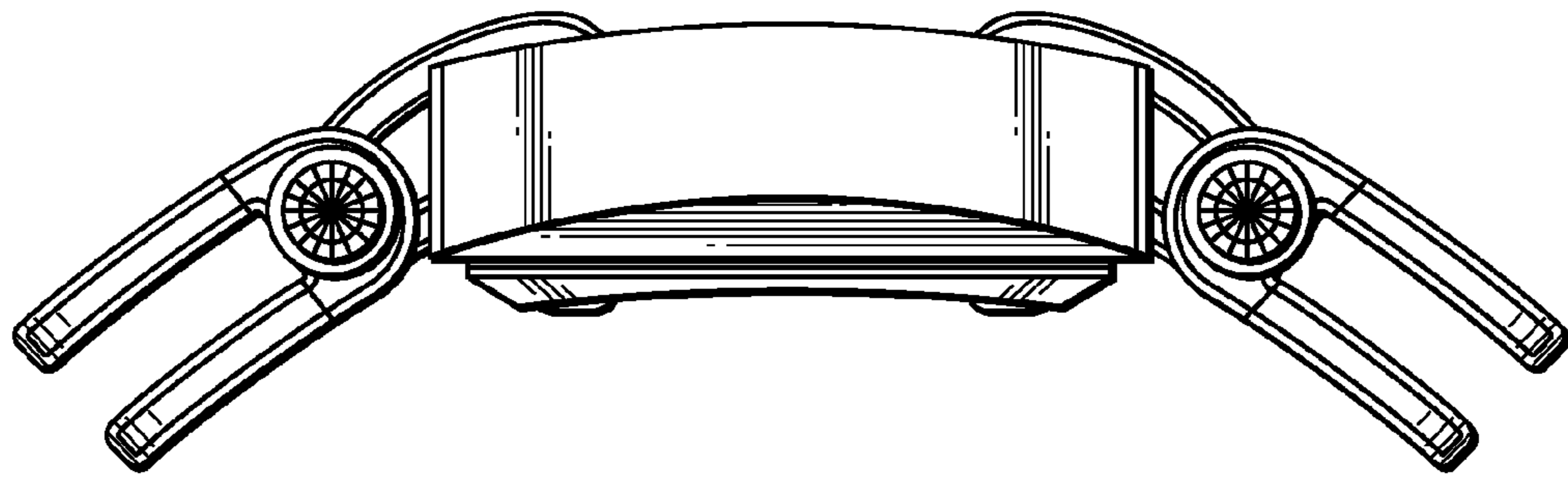


FIG. 1

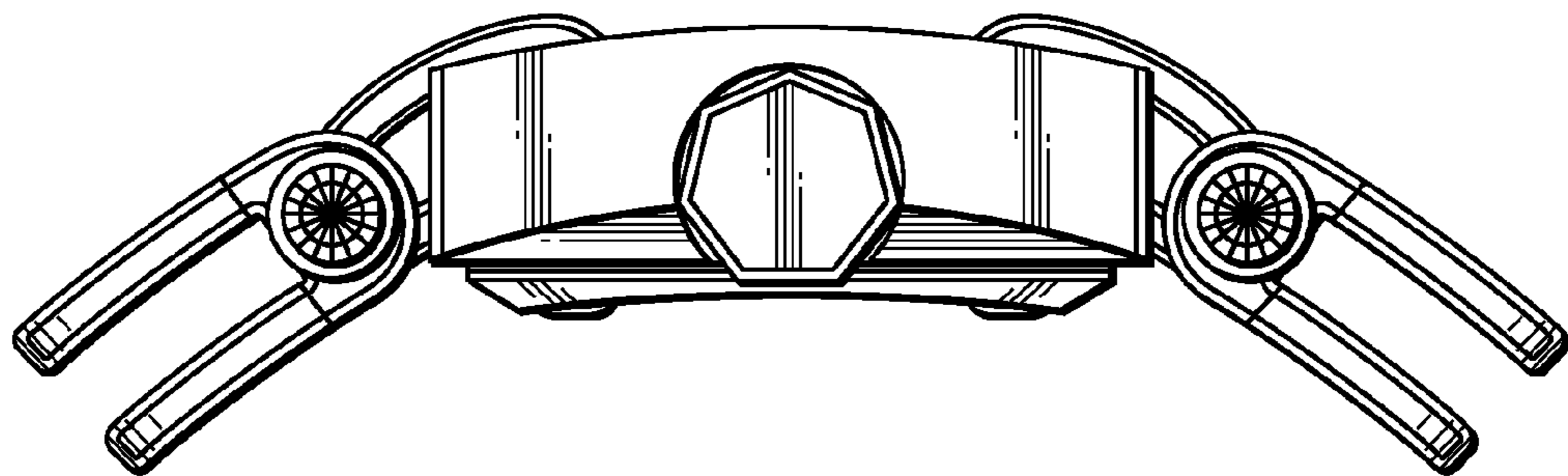


FIG. 2

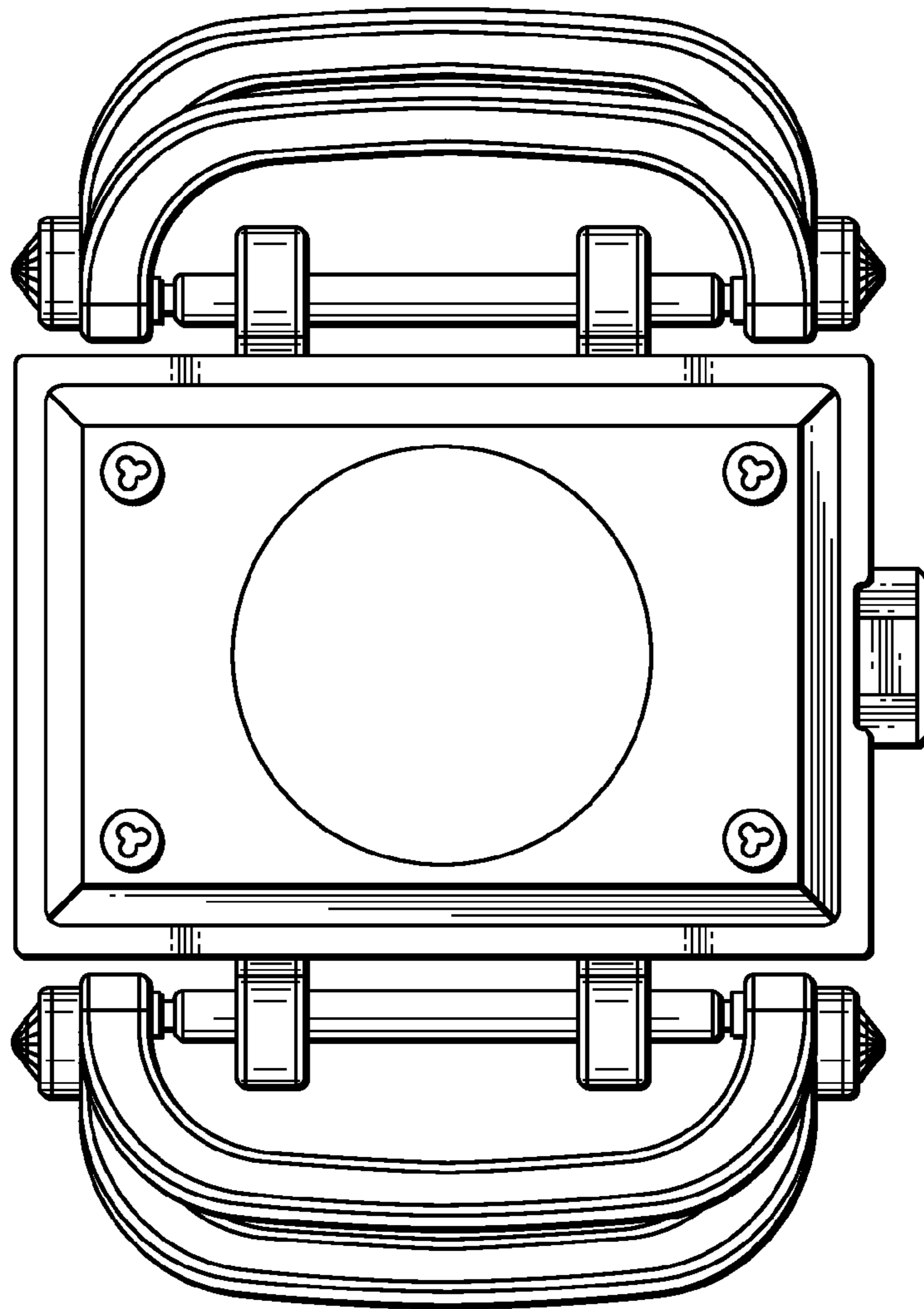


FIG. 3

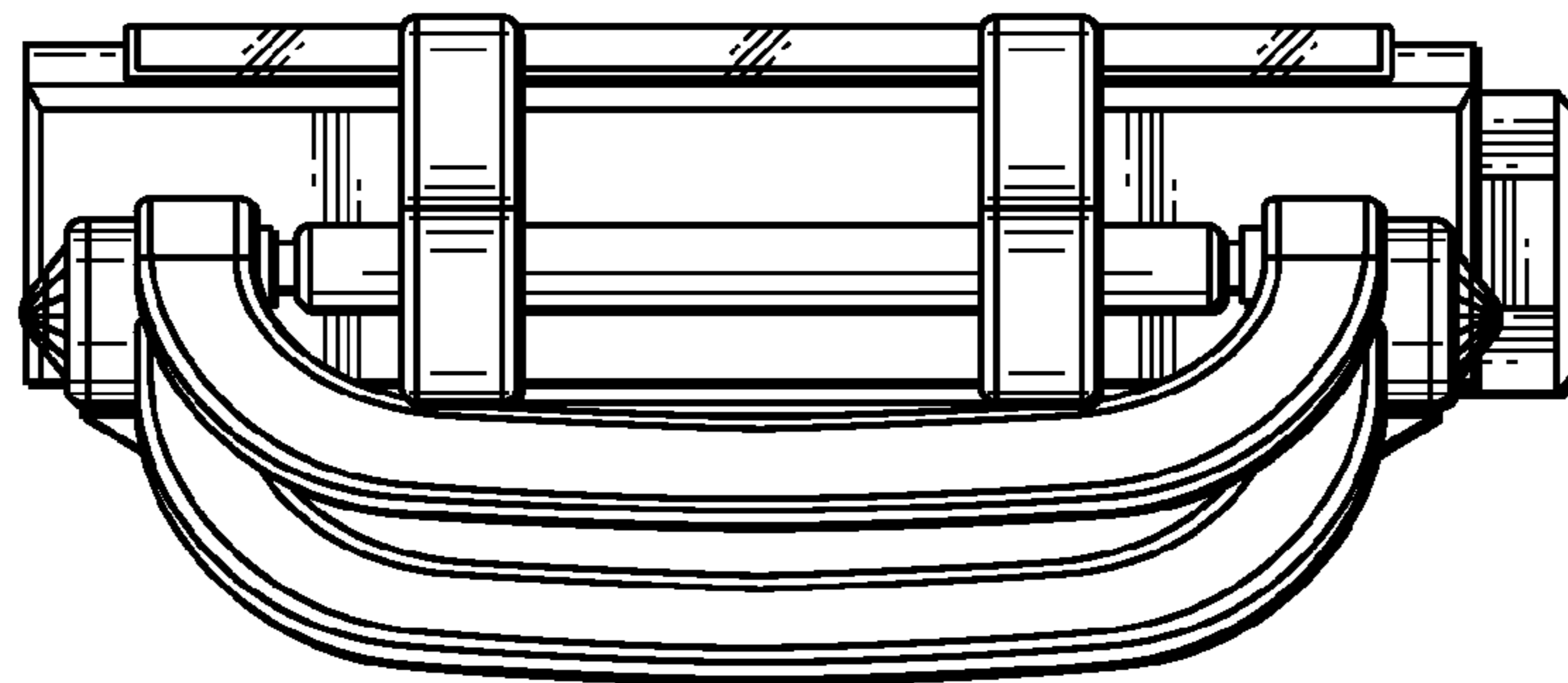


FIG. 4

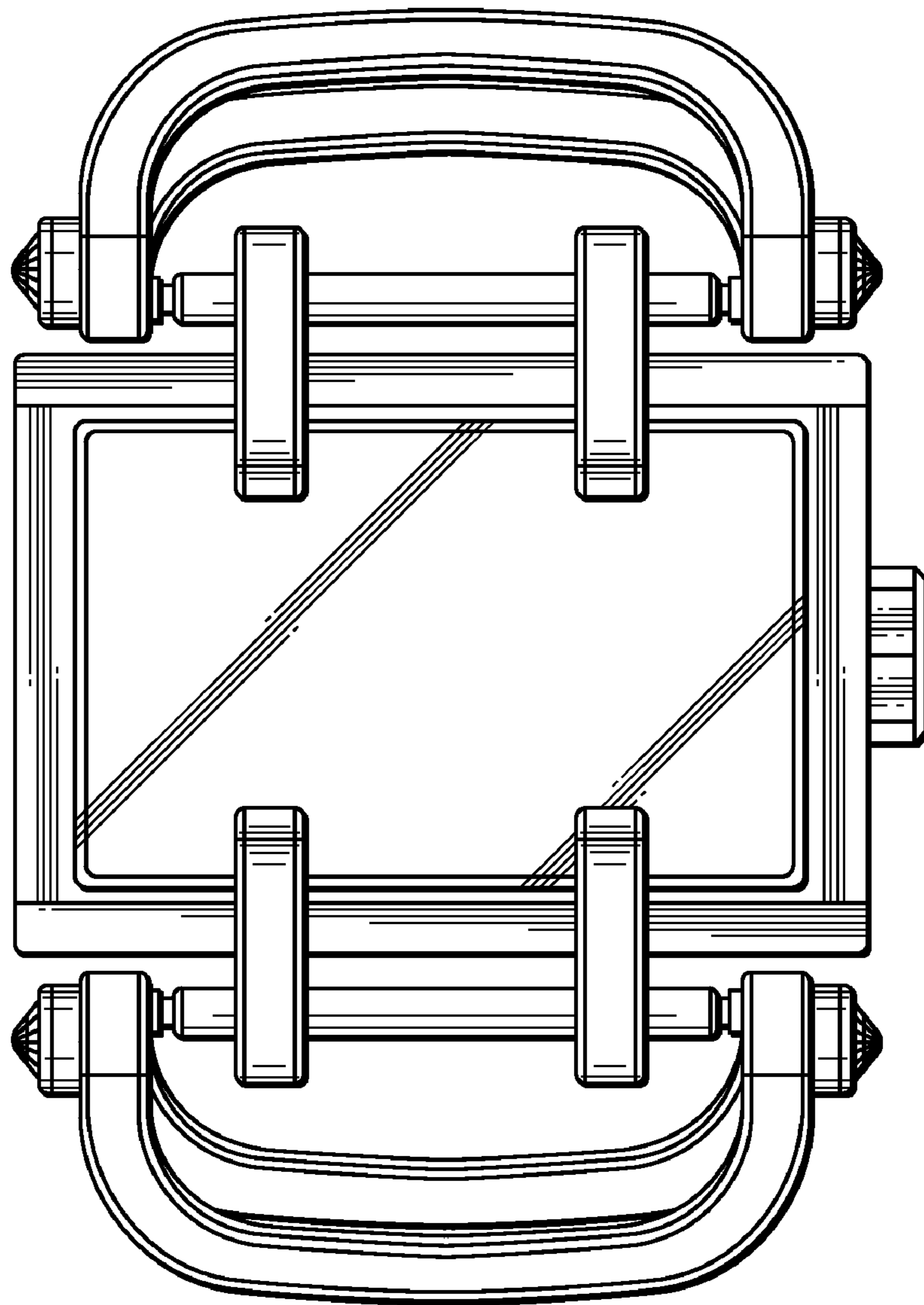


FIG. 5

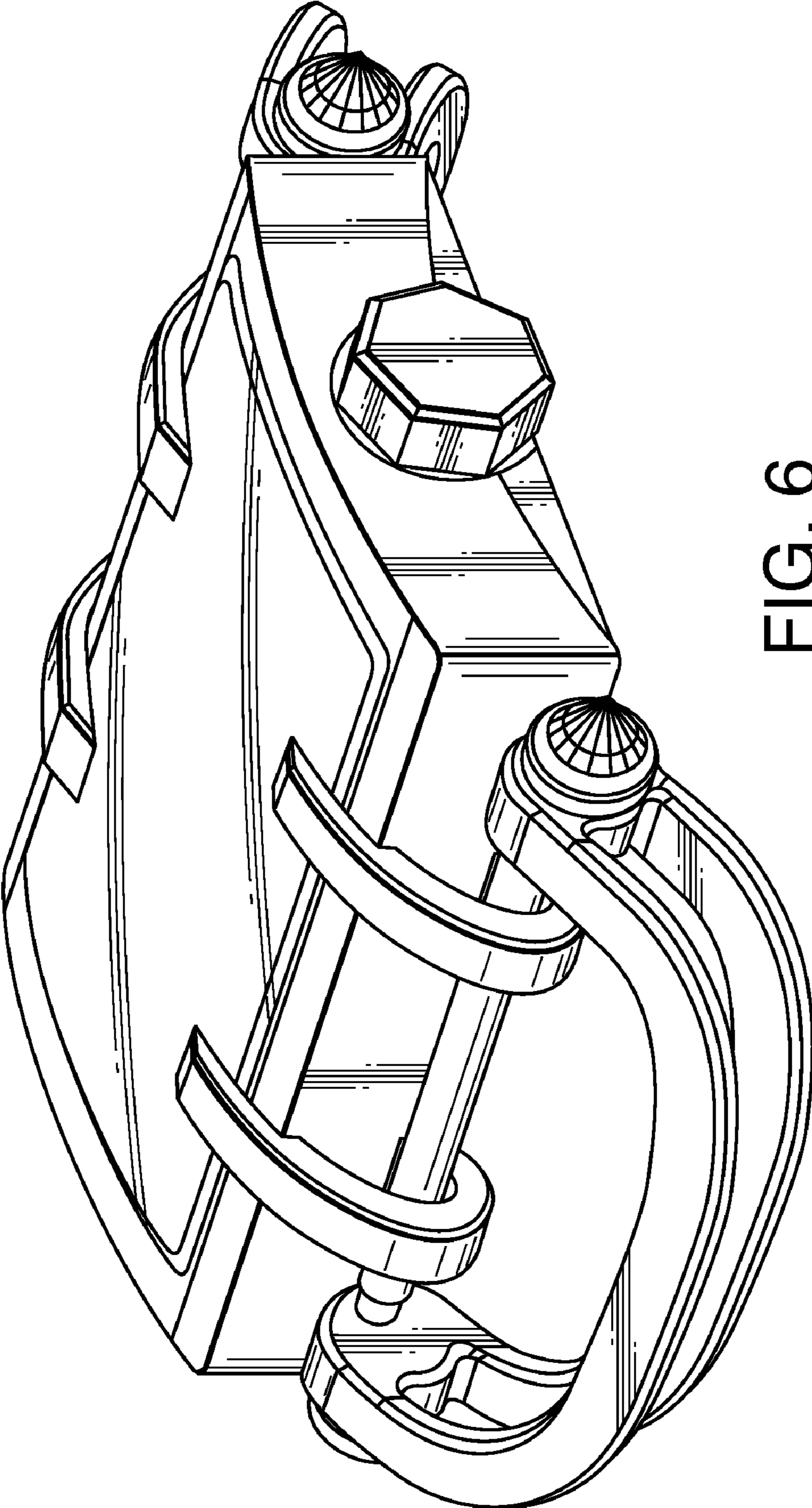


FIG. 6

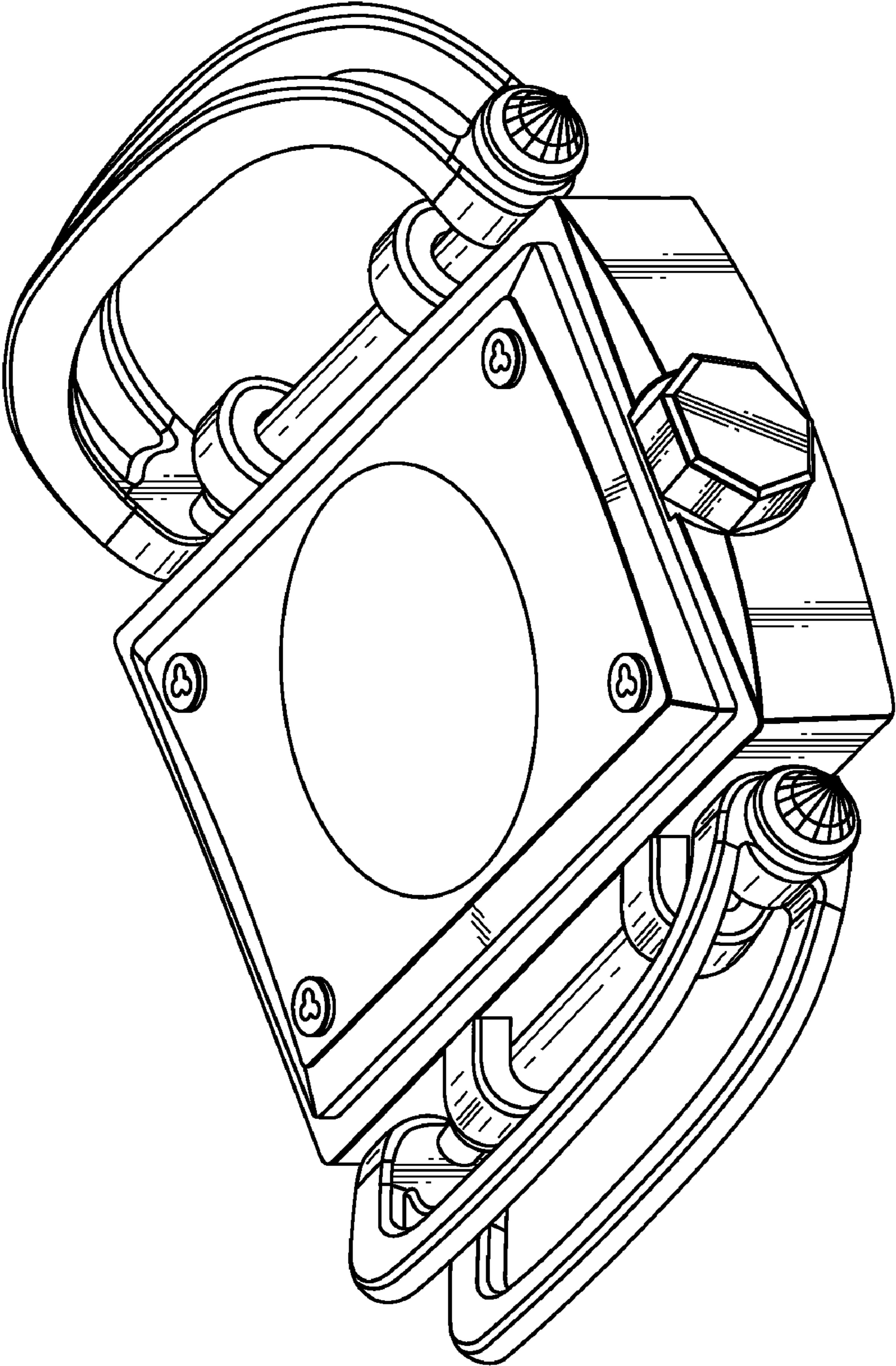


FIG. 7