



US00D627233S

(12) **United States Design Patent**
Blakeman

(10) **Patent No.:** **US D627,233 S**

(45) **Date of Patent:** **** *Nov. 16, 2010**

(54) **CONTAINER**

(76) **Inventor:** **Amanda Blakeman**, 10960 Fishers
Island St., Las Vegas, NV (US) 89141

(*) **Notice:** This patent is subject to a terminal disclaimer.

(**) **Term:** **14 Years**

(21) **Appl. No.:** **29/345,231**

(22) **Filed:** **Oct. 13, 2009**

Related U.S. Application Data

(63) Continuation-in-part of application No. 12/573,223,
filed on Oct. 5, 2009.

(51) **LOC (9) Cl.** **09-01**

(52) **U.S. Cl.** **D9/668; D9/734**

(58) **Field of Classification Search** D9/600,
D9/668, 730, 734; D3/270-271.1, 271.9;
D7/514-515, 604, 613, 619.2, 628, 710, 901;
206/457-458, 527; 215/400; 220/890
See application file for complete search history.

(56) **References Cited**

U.S. PATENT DOCUMENTS

D248,189 S * 6/1978 Loomis D3/271.9
D251,284 S * 3/1979 Weaver D7/710
D298,105 S * 10/1988 Lamantia, Jr. D9/668

D323,602 S * 2/1992 Katz D7/619.2
D371,934 S * 7/1996 Cwirko D7/515
6,410,065 B1 * 6/2002 Nottingham et al. 206/457
D518,596 S * 4/2006 Angeletta D9/668
D557,499 S * 12/2007 Friedman D3/271.9

* cited by examiner

Primary Examiner—Sandra Morris

(74) *Attorney, Agent, or Firm*—Weiner & Burt, P.C.; Irving
M. Weiner; Pamela S. Burt

(57) **CLAIM**

The ornamental design for a container, as shown and
described.

DESCRIPTION

FIG. 1 is a perspective view of a container showing my new
design;

FIG. 2 is a top plan view thereof, illustrating a moved position
of the lid shown in broken line superimposed thereon;

FIG. 3 is a left side view thereof;

FIG. 4 is a front elevational view thereof;

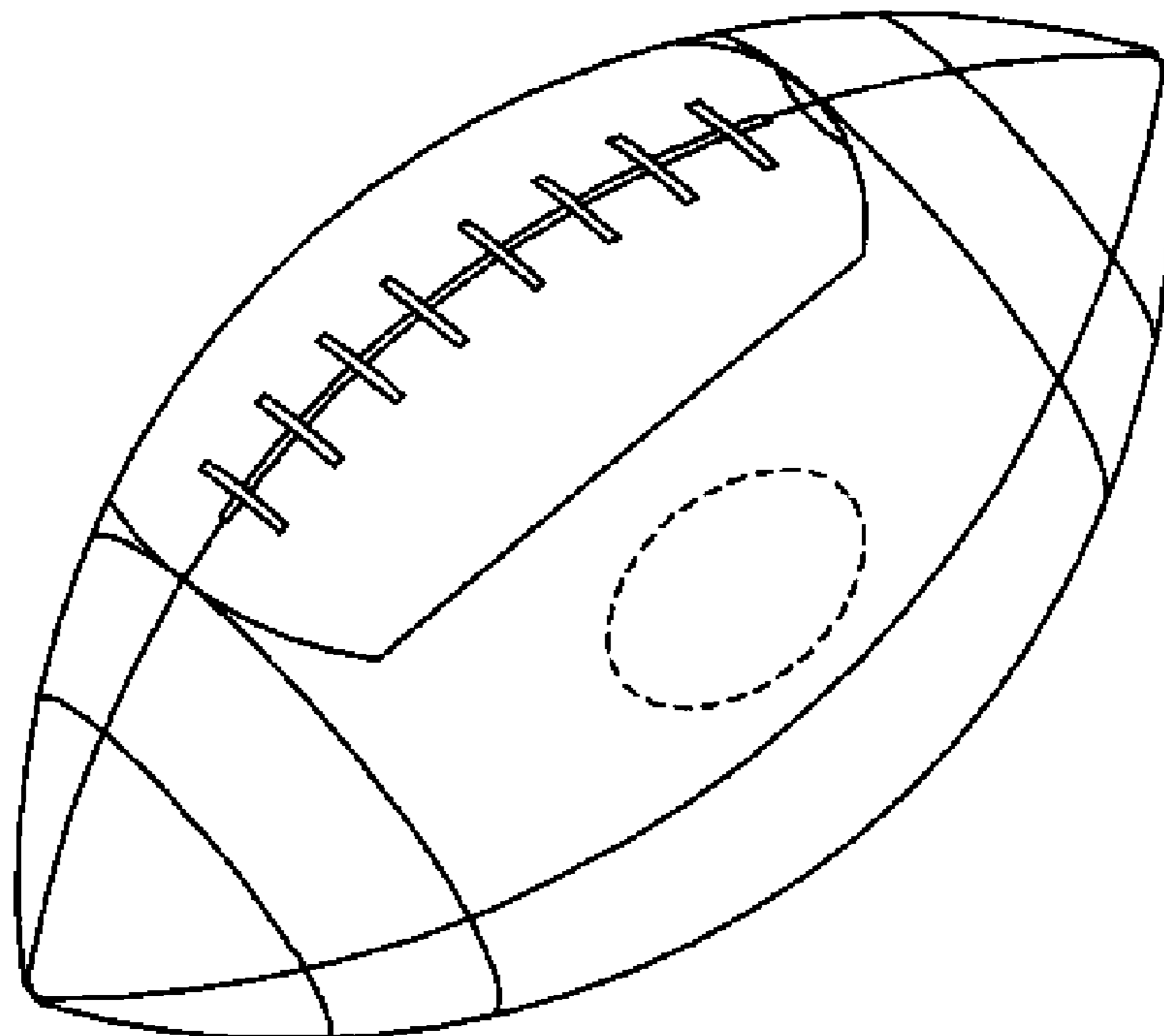
FIG. 5 is a rear elevational view thereof;

FIG. 6 is a right side view thereof; and,

FIG. 7 is a bottom view thereof.

The broken lines on the side of the container are for illustra-
tive purposes only, and form no part of the claimed design.

1 Claim, 2 Drawing Sheets



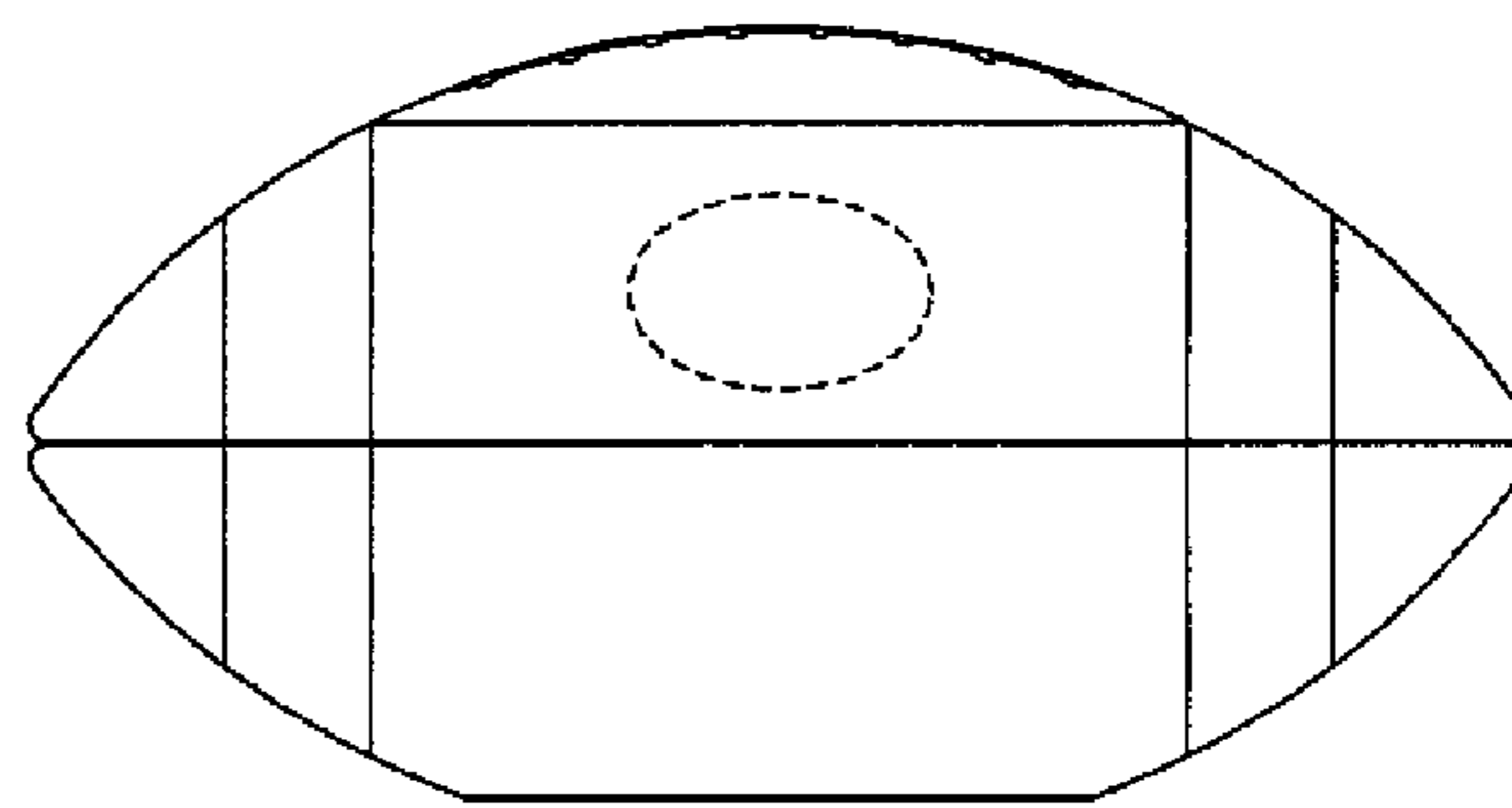
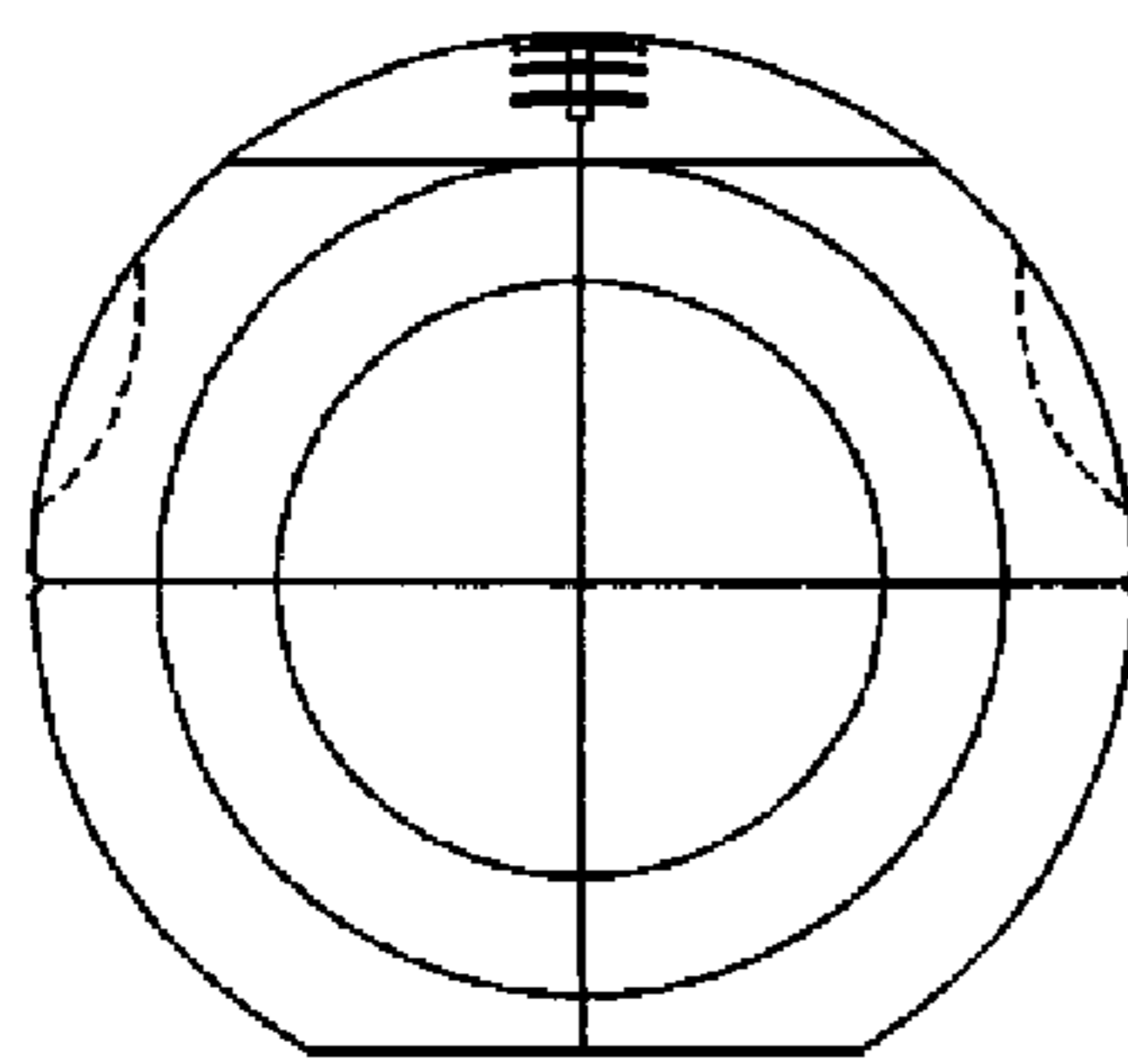
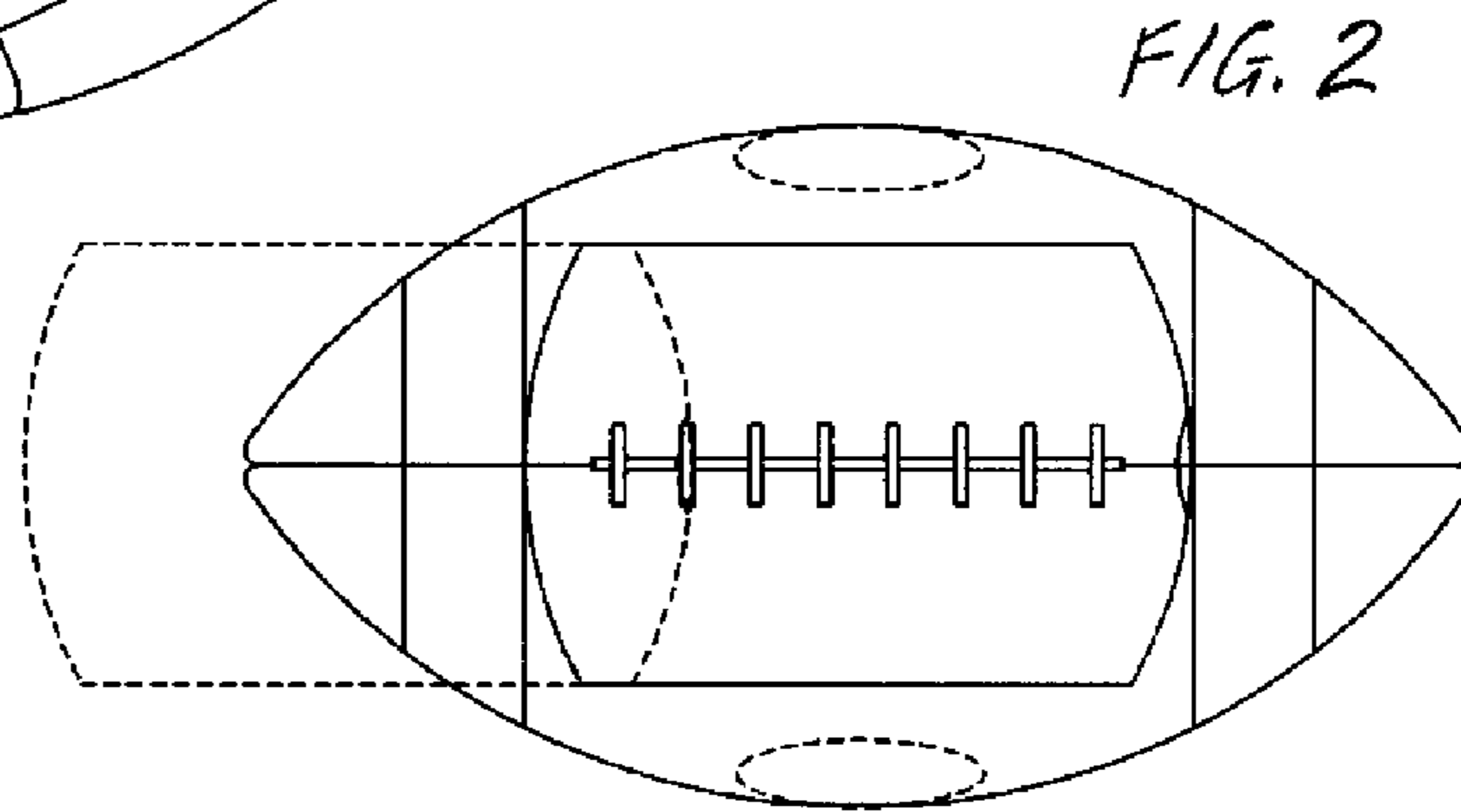
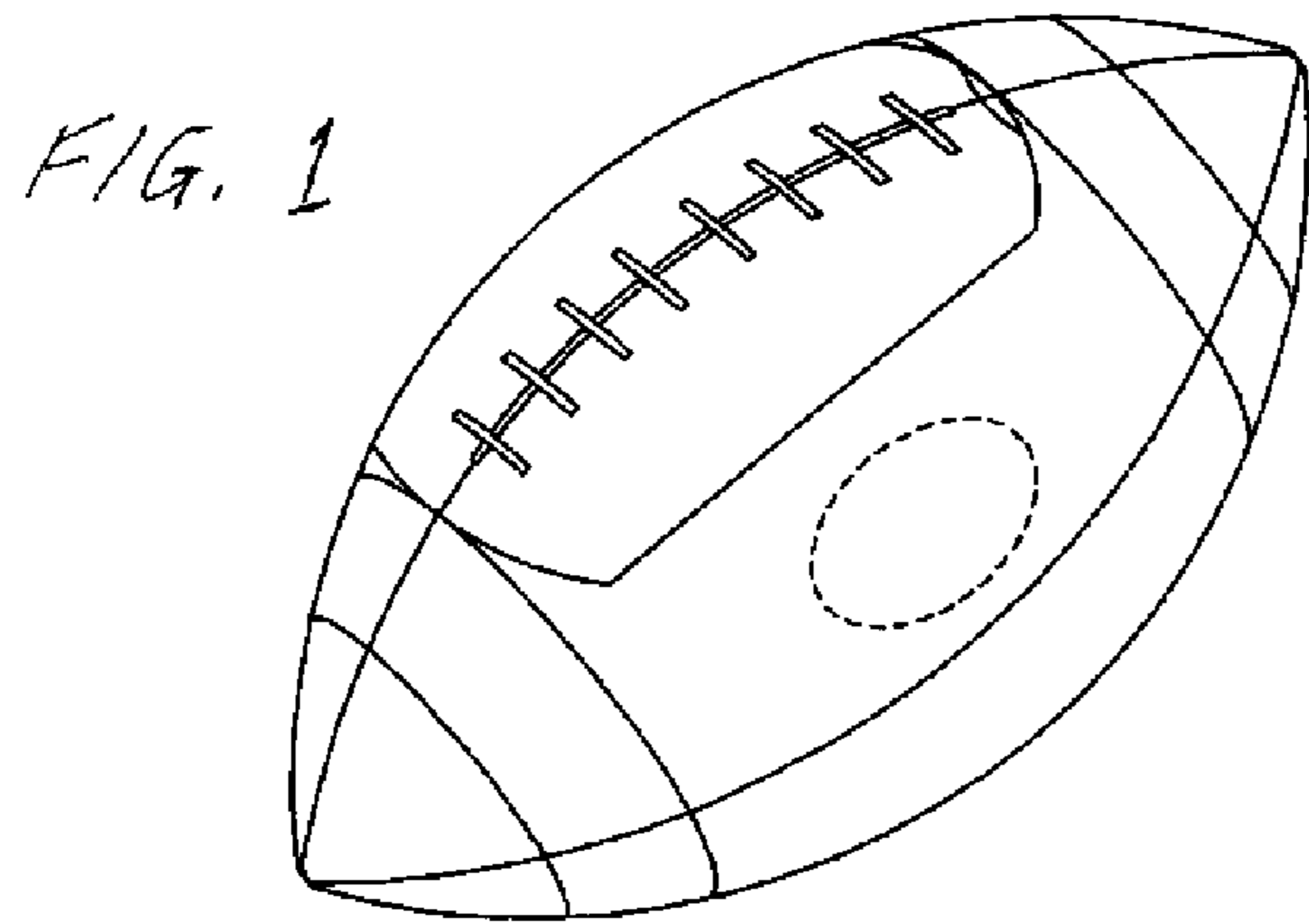


FIG. 5

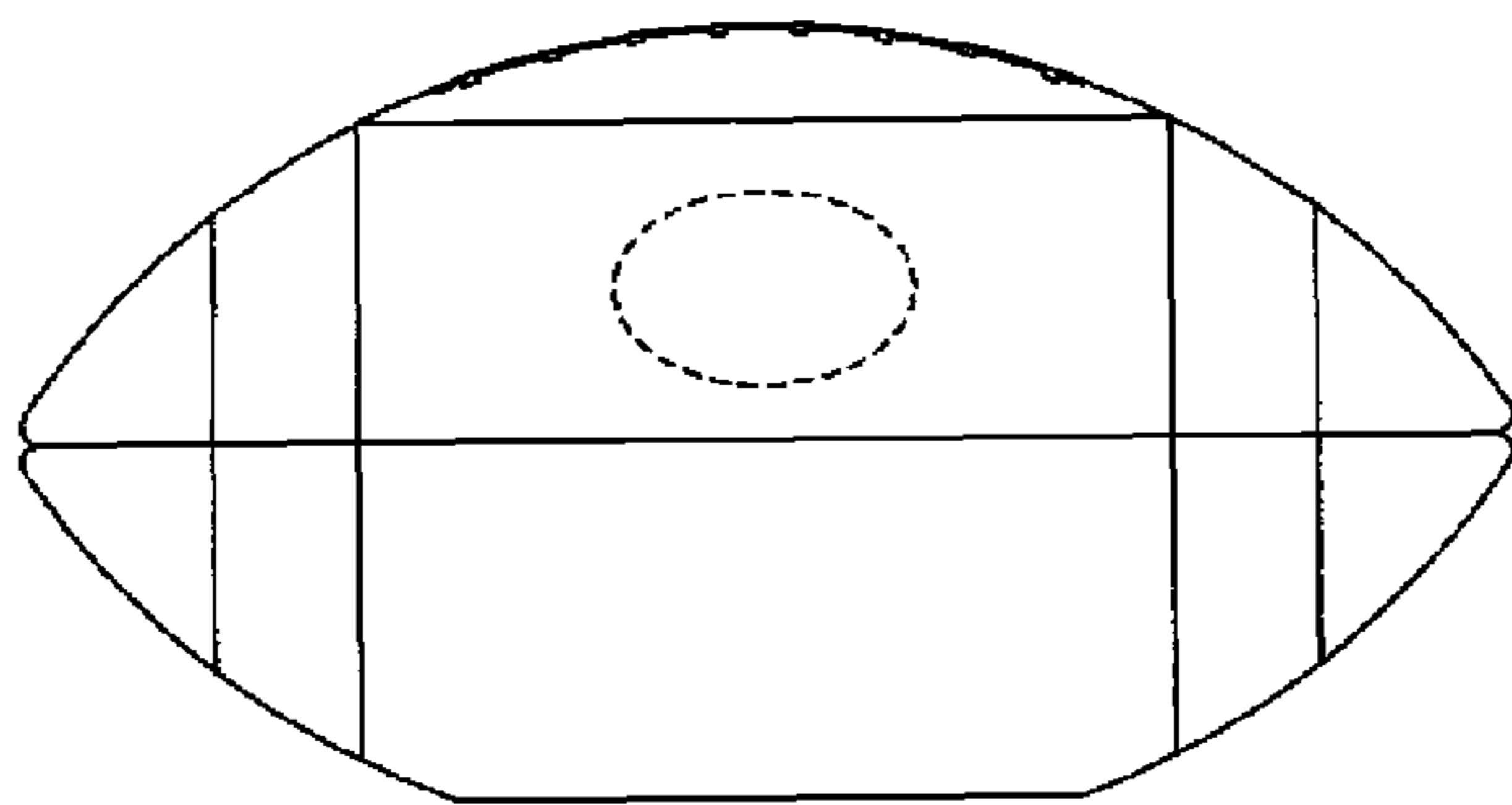


FIG. 6

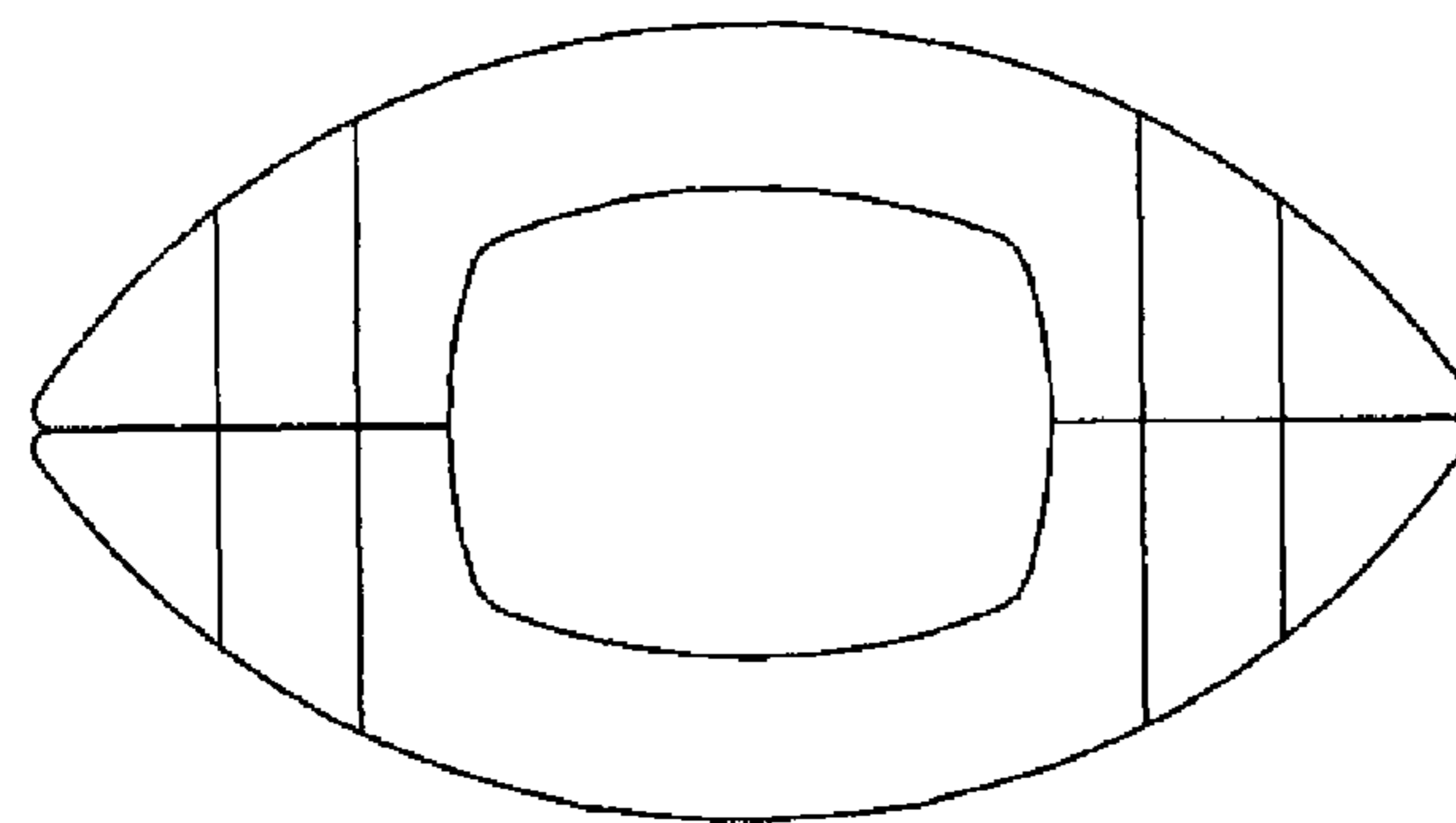
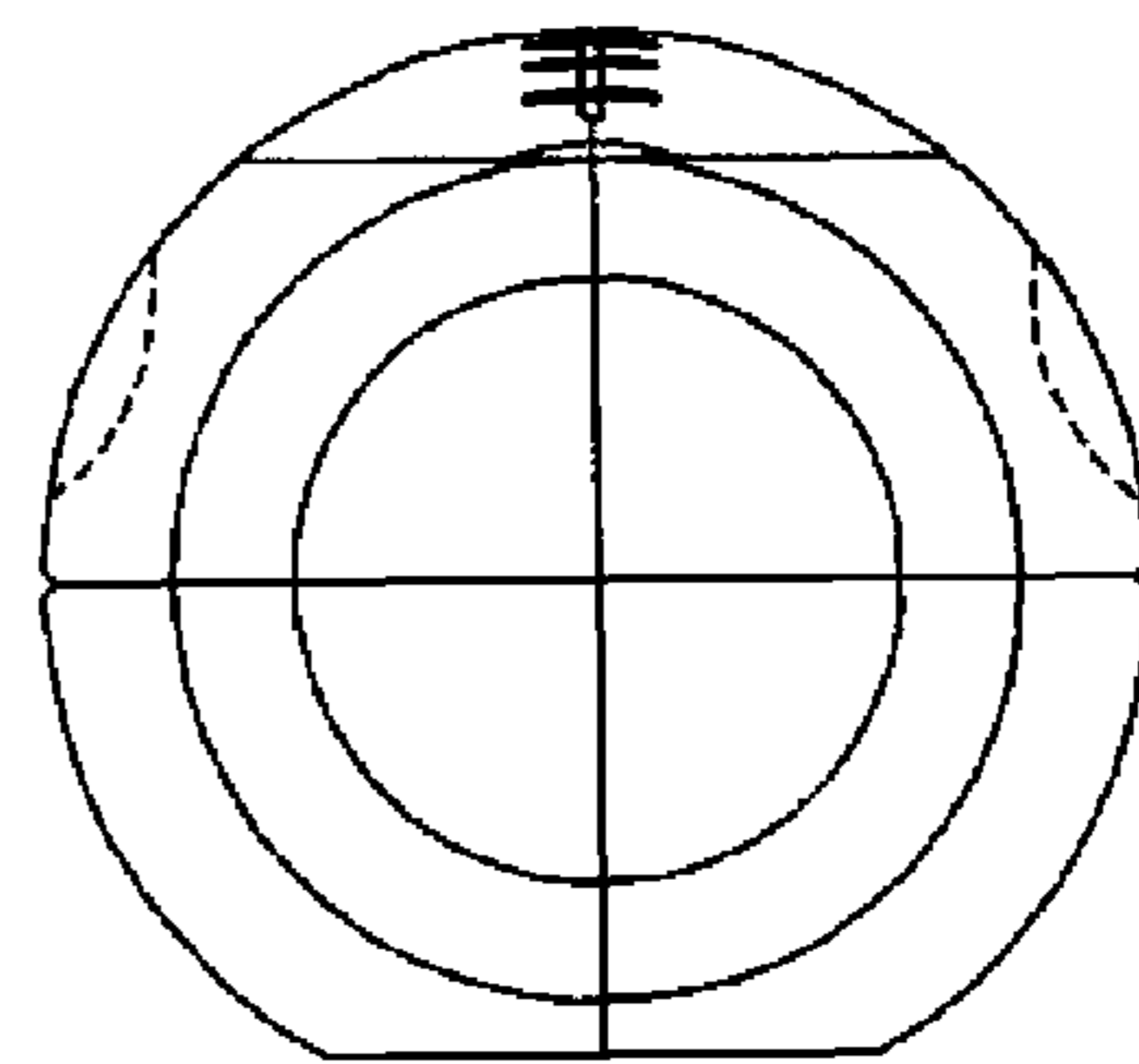


FIG. 7