



US00D627228S

(12) **United States Design Patent**
Kruetzkamp et al.

(10) **Patent No.:** **US D627,228 S**

(45) **Date of Patent:** **** Nov. 16, 2010**

(54) **COSMETIC PACKAGE**

(75) Inventors: **Gina Marie Kruetzkamp**, Milford, OH (US); **Graham Clive Hufton**, New York, NY (US); **Ian Andrew Carnduff**, New York, NY (US)

(73) Assignee: **The Procter & Gamble Company**, Cincinnati, OH (US)

(**) Term: **14 Years**

(21) Appl. No.: **29/355,794**

(22) Filed: **Feb. 13, 2010**

(51) **LOC (9) Cl.** **09-01**

(52) **U.S. Cl.** **D9/516; D9/571; D9/572; D9/573**

(58) **Field of Classification Search** D9/682-694, D9/516-575, 434-436, 447-450, 715, 719, D9/738, 744; D28/5, 7, 76, 77, 85, 91.1; 215/379, 385, 6, 10, 12.1; 220/660, 662, 220/665, 669; 222/129, 135, 153.01, 153.03, 222/153.04, 153.09, 153.11-153.14, 182, 222/183, 631, 635, 209-213, 215, 321.7-321.9, 222/372, 373, 378, 379, 383.1, 384-386, 222/398, 400.7, 400.8, 401, 402.1-402.25

See application file for complete search history.

(56) **References Cited**

U.S. PATENT DOCUMENTS

251,566 A * 12/1881 Fuller 215/6
529,762 A * 11/1894 Van Wie 215/6
1,742,936 A * 1/1930 Russell 206/209.1
1,993,978 A * 3/1935 Plochman 215/6
D107,966 S * 1/1938 McIntosh D9/544

(Continued)

FOREIGN PATENT DOCUMENTS

GB 004003931 9/2007

KR 300473374.0000 * 12/2007

OTHER PUBLICATIONS

Photographs of packaging and product description for: French Connection, Her Fragrance (1 page), accessed online through www.gnpd.com, date published Jan. 27th, 2005.*

(Continued)

Primary Examiner—Catherine Tuttle

(74) *Attorney, Agent, or Firm*—Megan C. Hymore; James C. Vago; Carl J. Roof

(57) **CLAIM**

The ornamental design for a cosmetic package, as shown and described.

DESCRIPTION

FIG. 1 is a front perspective view of the cosmetic package embodying our new design;

FIG. 2 is a front view of FIG. 1;

FIG. 3 is a back view of FIG. 1;

FIG. 4 is a right side view of FIG. 1;

FIG. 5 is a left side view of FIG. 1;

FIG. 6 is a top view of FIG. 1;

FIG. 7 is a bottom view of FIG. 1;

FIG. 8 is a front perspective view of an alternate embodiment of our new design;

FIG. 9 is a front view of FIG. 8;

FIG. 10 is a back view of FIG. 8;

FIG. 11 is a right side view of FIG. 8;

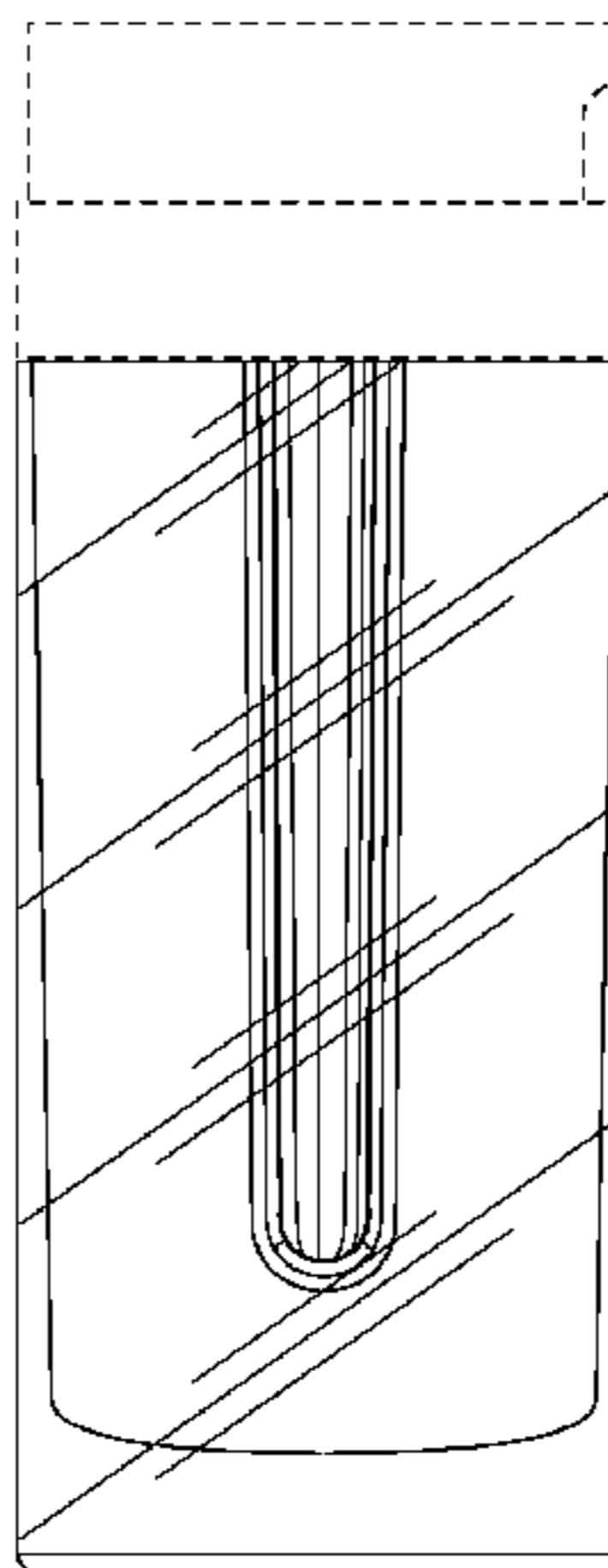
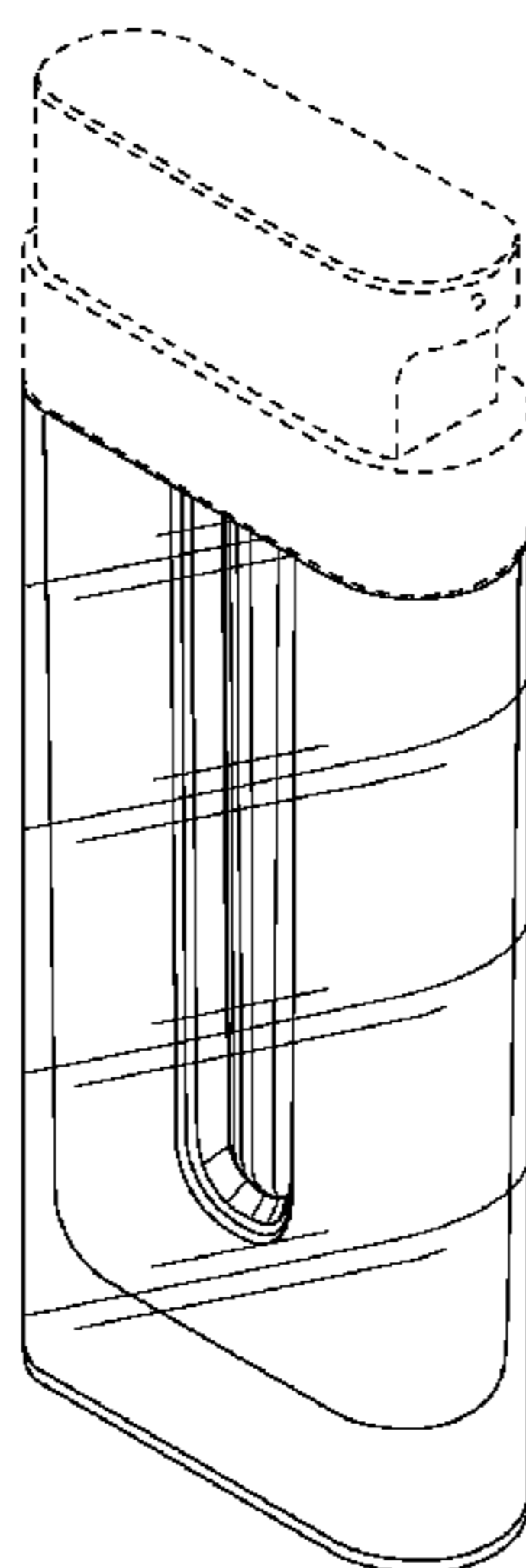
FIG. 12 is a left side view of FIG. 8;

FIG. 13 is a top view of FIG. 8; and,

FIG. 14 is a bottom view of FIG. 8.

The broken lines in the drawings are included for the purpose of illustrating portions of the cosmetic package that form no part of the claimed design.

1 Claim, 8 Drawing Sheets



US D627,228 S

Page 2

U.S. PATENT DOCUMENTS

2,505,037 A * 4/1950 Frumkin 374/150
D230,828 S * 3/1974 Jeruchim D9/529
D270,956 S * 10/1983 Martinez D28/91.1
D326,053 S * 5/1992 Waine et al. D9/529
D362,799 S * 10/1995 Noble D9/717
D365,278 S * 12/1995 Paglina D9/544
D419,433 S * 1/2000 Conway D9/687
6,062,380 A * 5/2000 Dorney 206/217
D426,466 S * 6/2000 Nevins et al. D9/529
D436,852 S * 1/2001 Chan D9/738
6,585,125 B1 * 7/2003 Peek 215/381
D533,185 S * 12/2006 Ishida et al. D14/203.2

D546,192 S * 7/2007 Faillant Dumas D9/571
D565,963 S * 4/2008 Slimane D9/687
D577,600 S * 9/2008 Kim et al. D9/573
D601,428 S * 10/2009 Rica D9/544

OTHER PUBLICATIONS

Photographs of packaging and product description for: Parfums Givenchy, Eau de Toilet, Men's Fragrances (2 pages), accessed online through www.gnpd.com, date published Sep. 3rd, 2008.*
Photographs of packaging and product description for: Parfums Givenchy, Givenchy Play Summer Vibrations (2 pages), accessed online through www.gnpd.com, date published May 11th, 2010.*

* cited by examiner

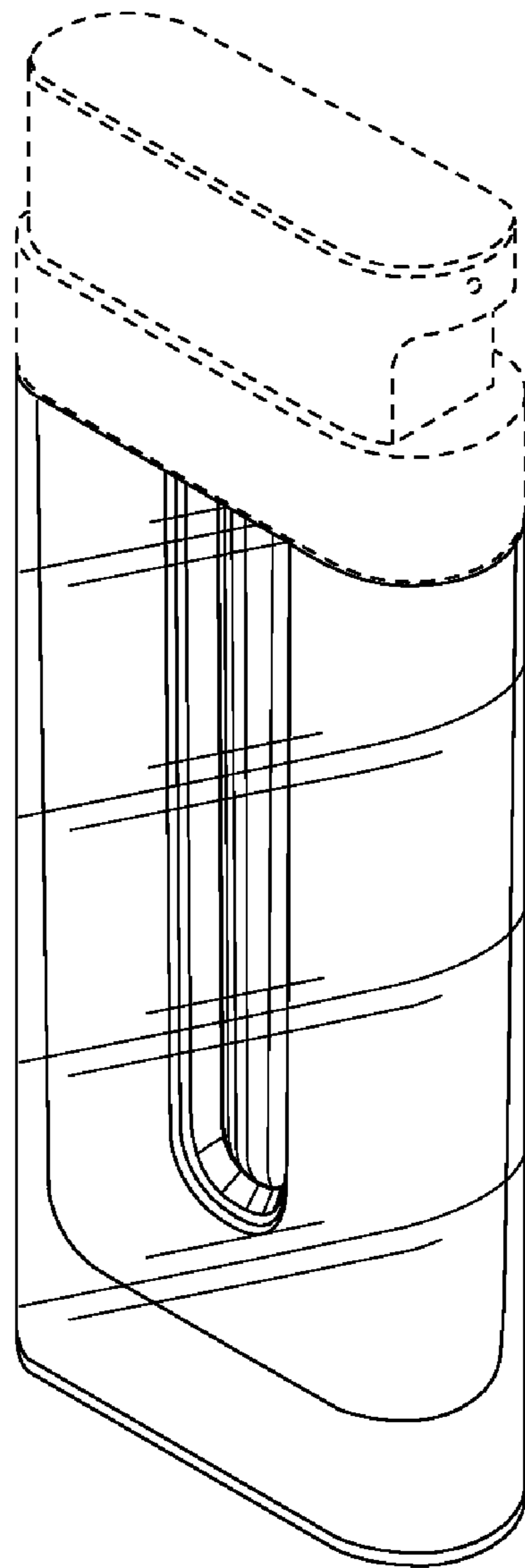


Fig. 1

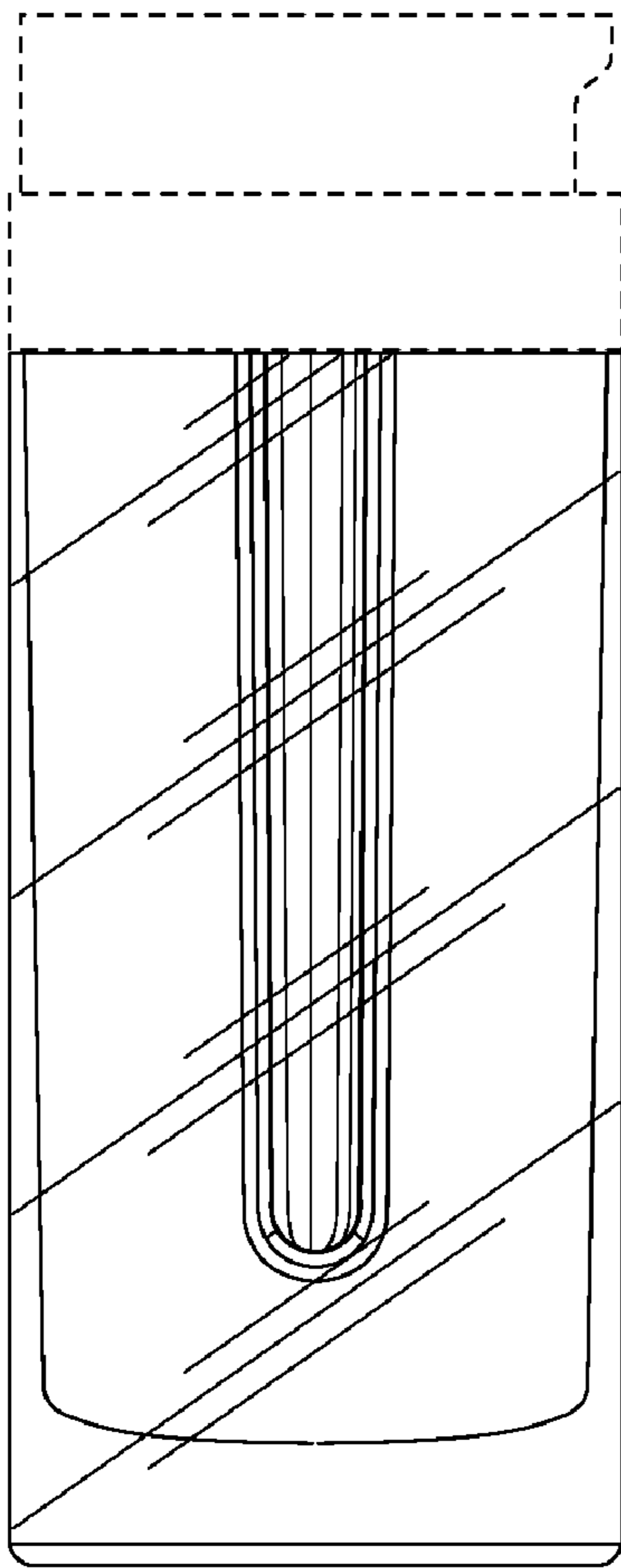


Fig. 2

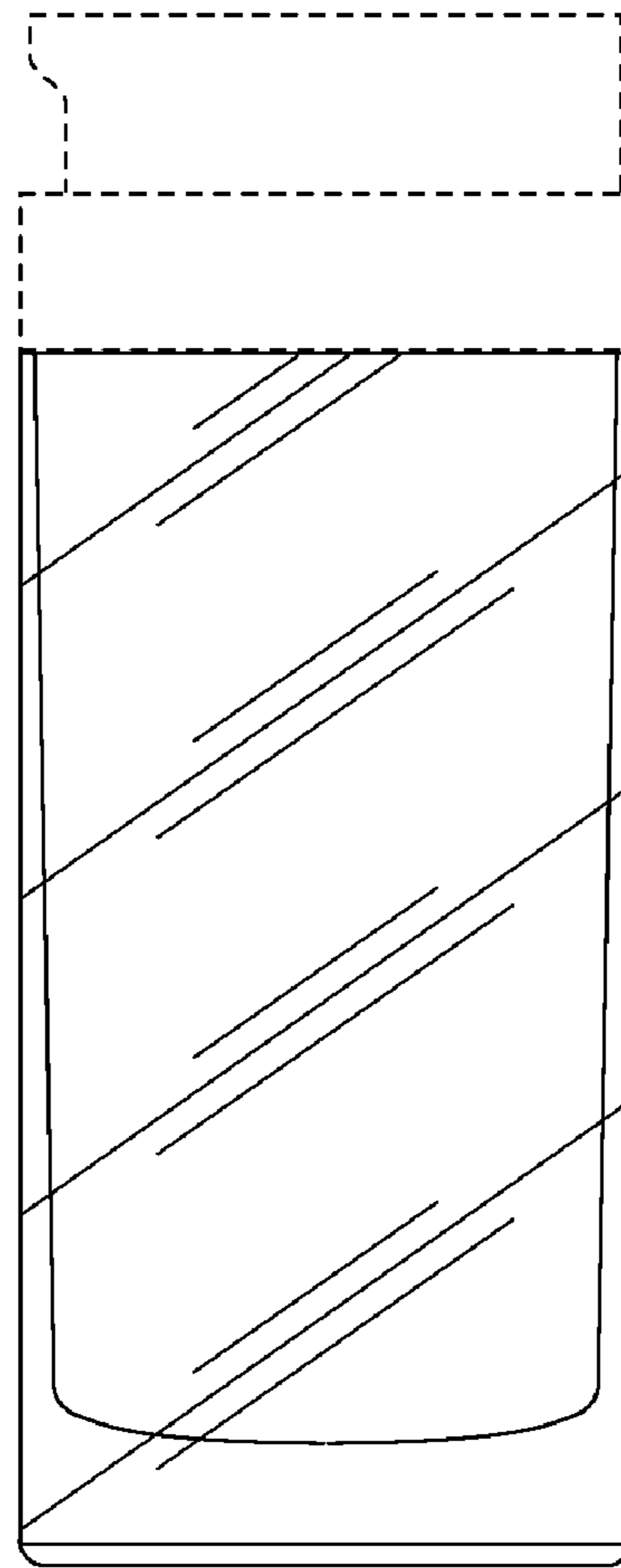


Fig. 3

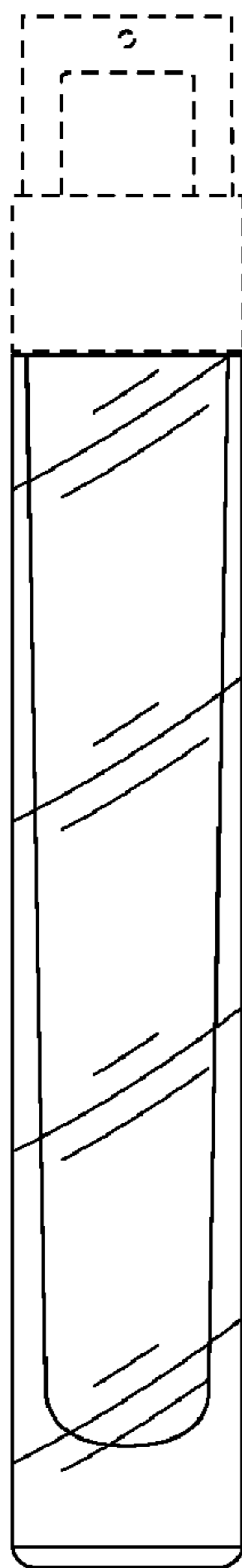


Fig. 4

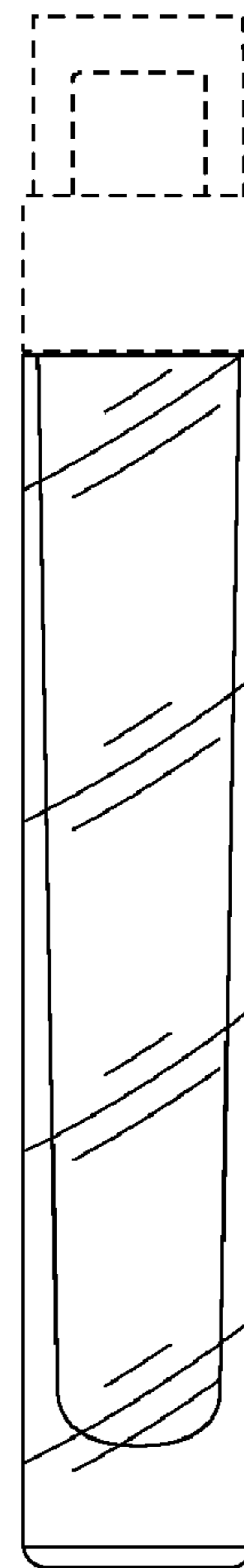


Fig. 5

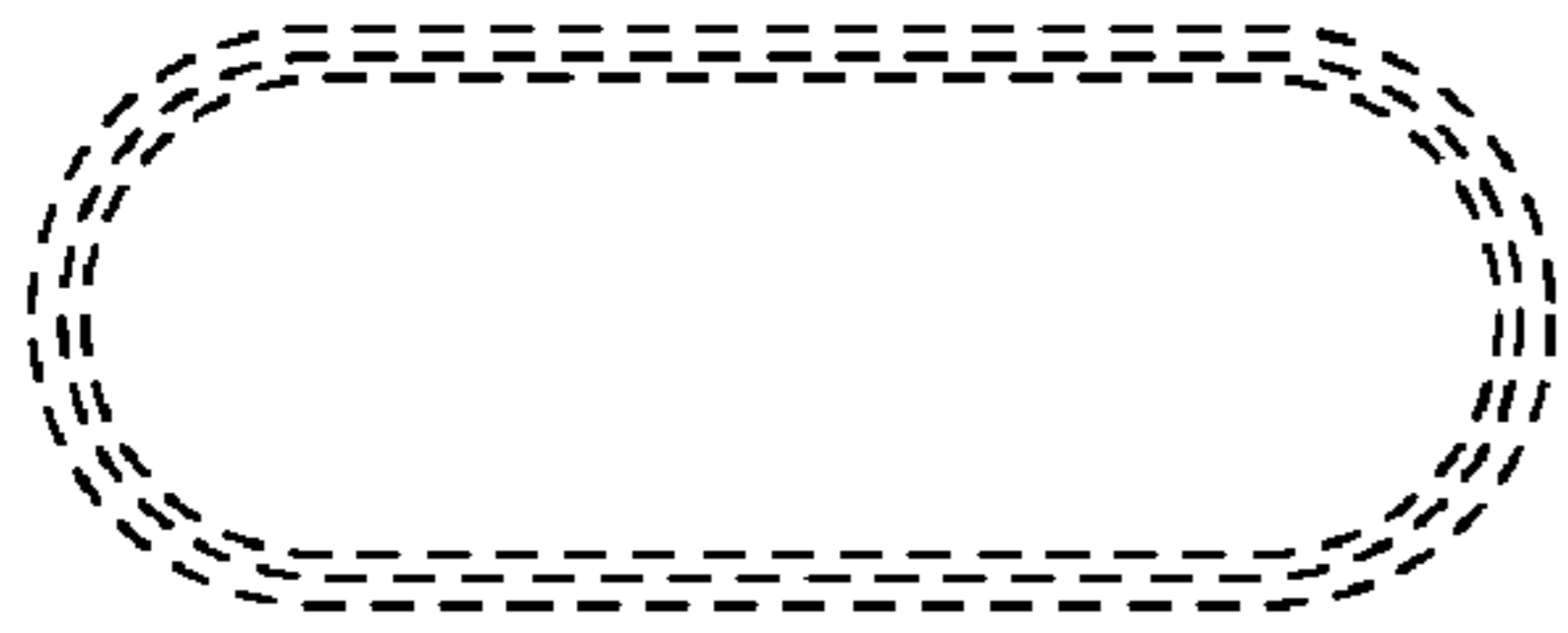


Fig. 6

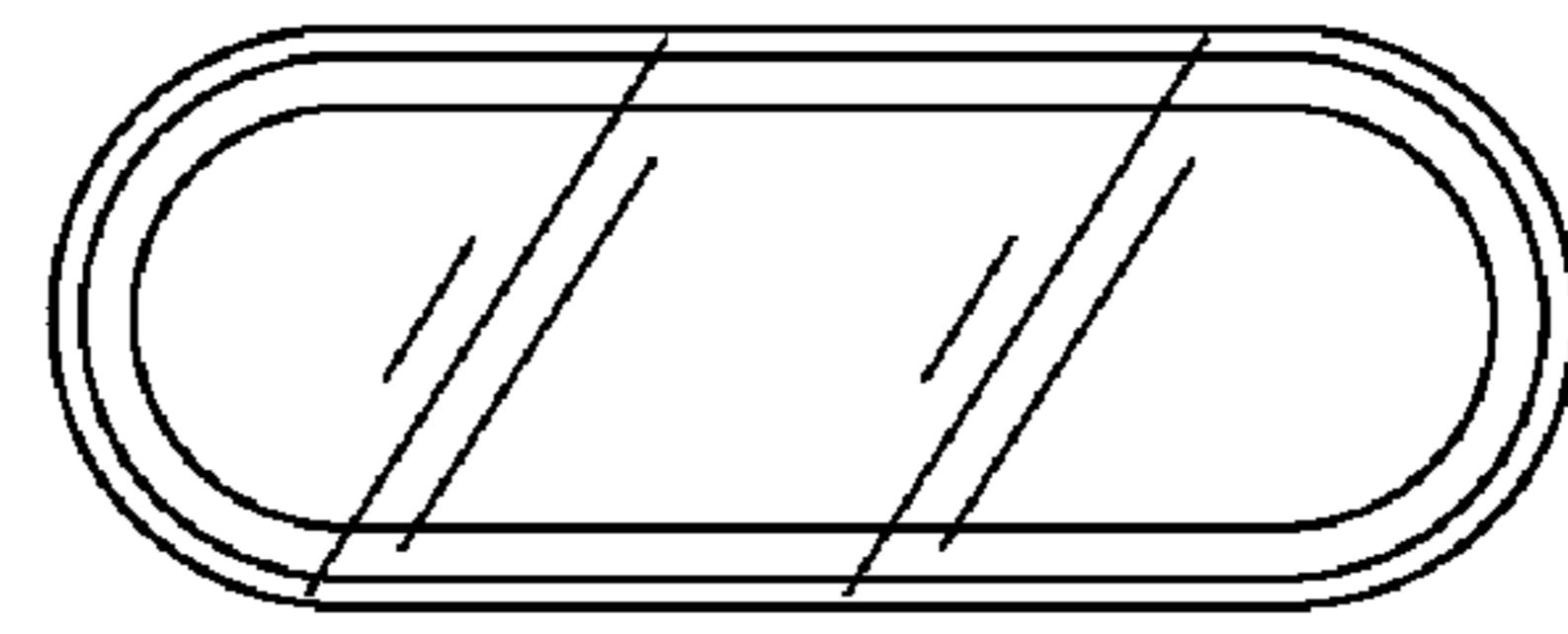


Fig. 7

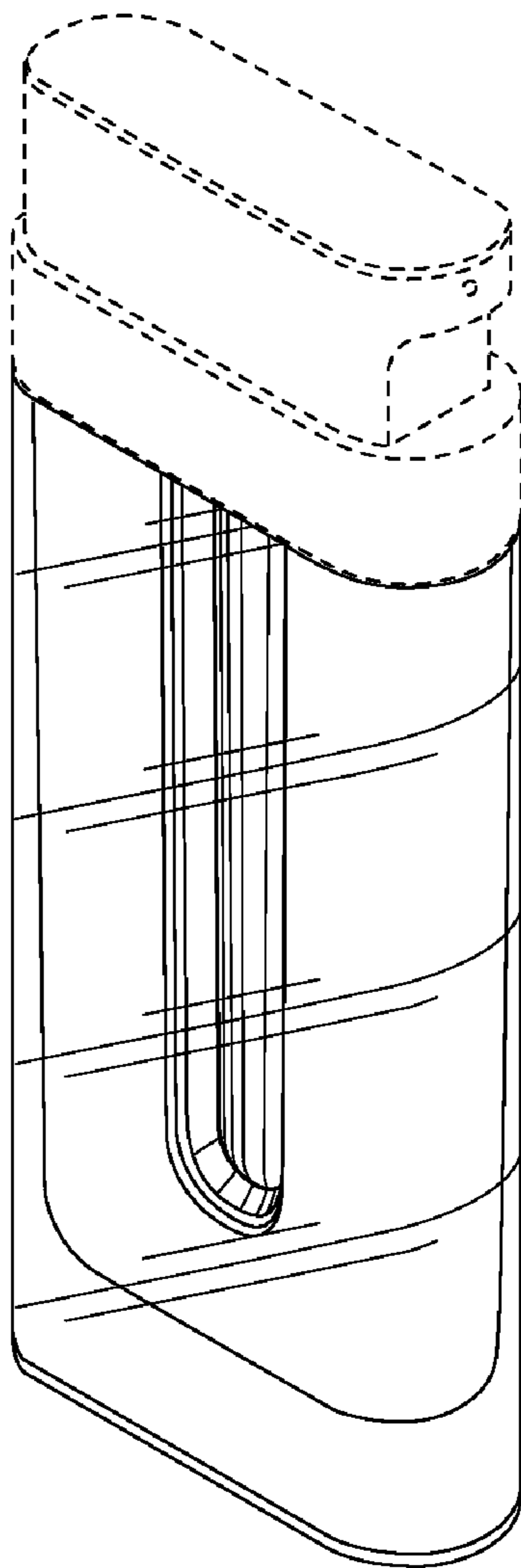


Fig. 8

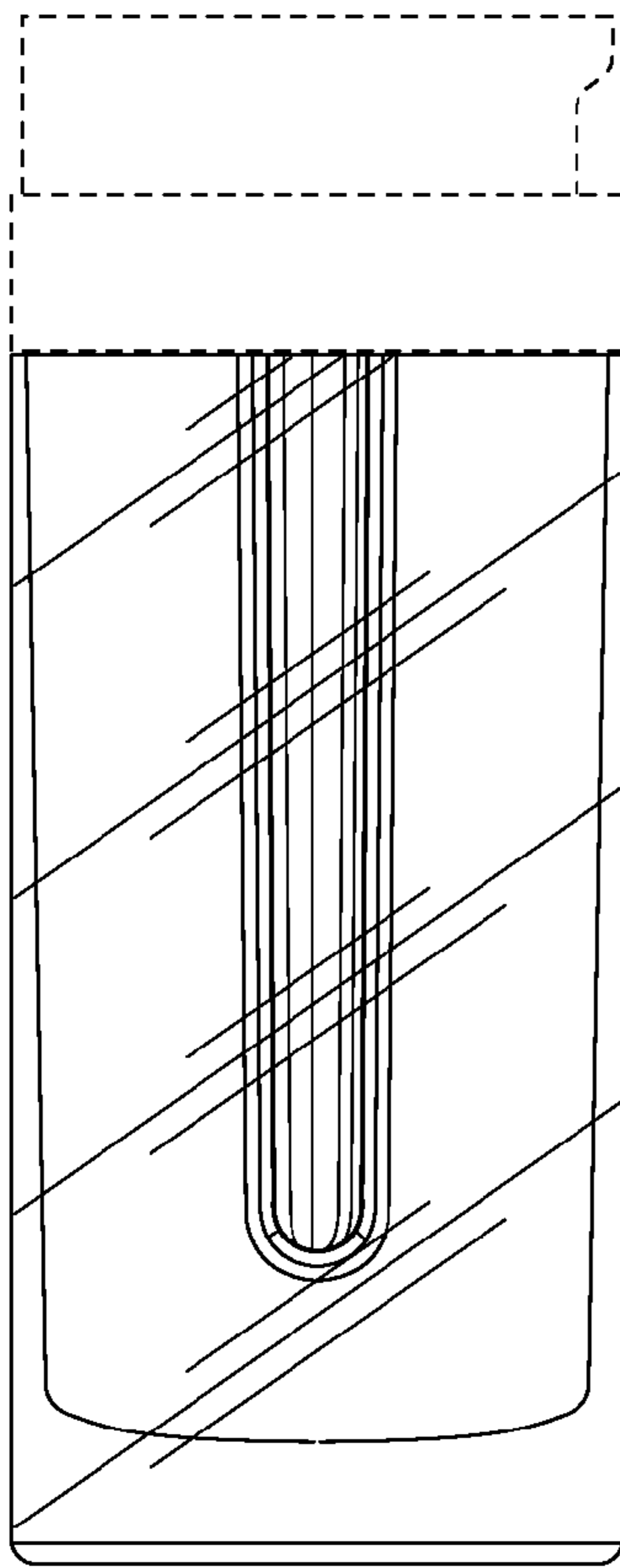


Fig. 9

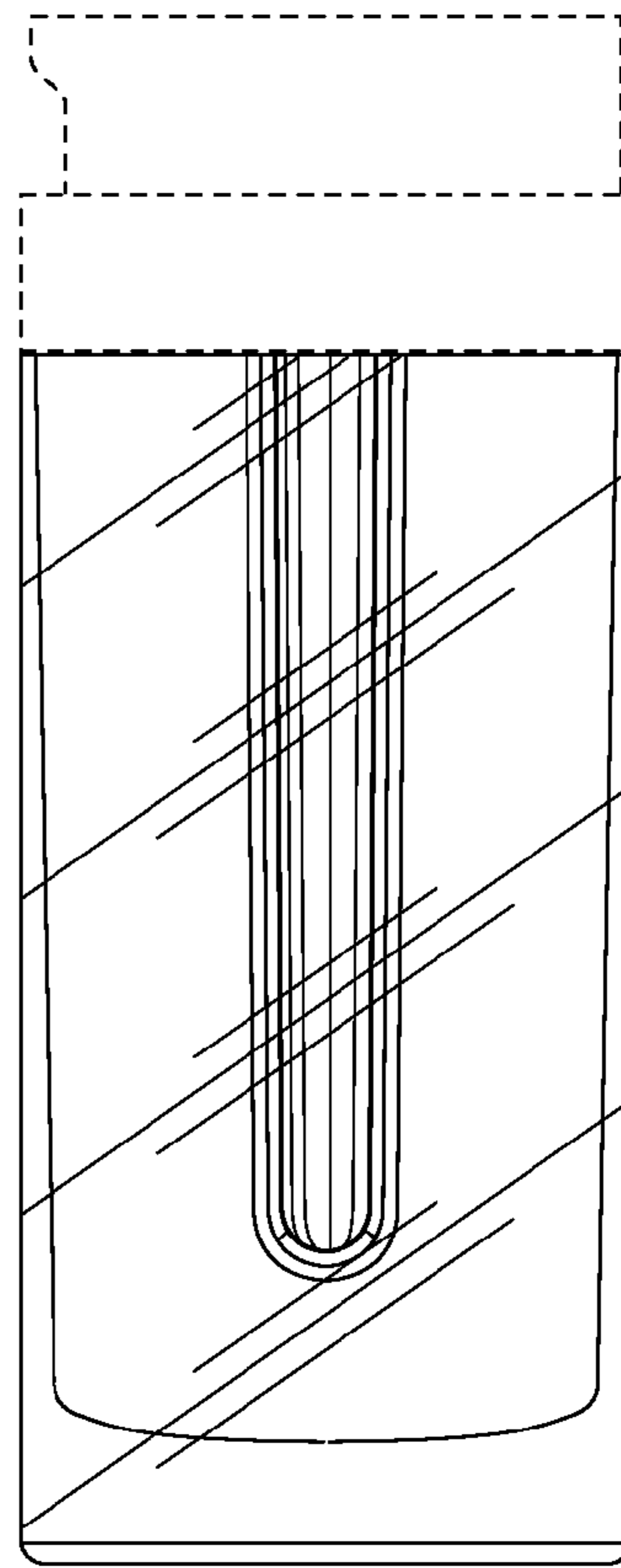


Fig. 10

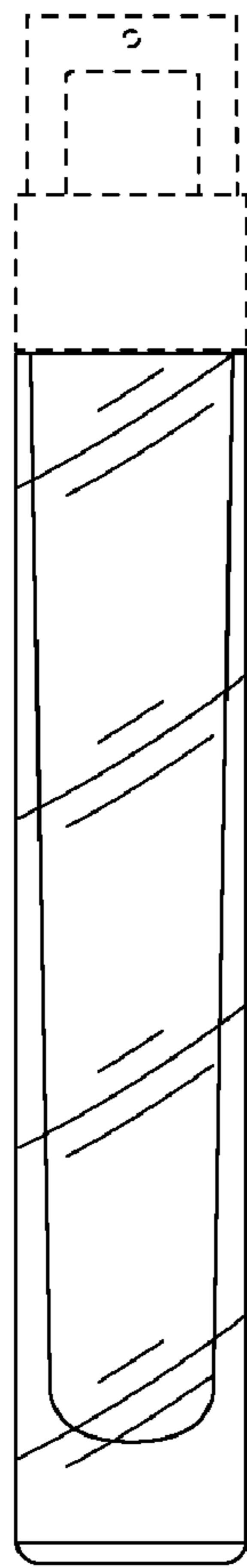


Fig. 11

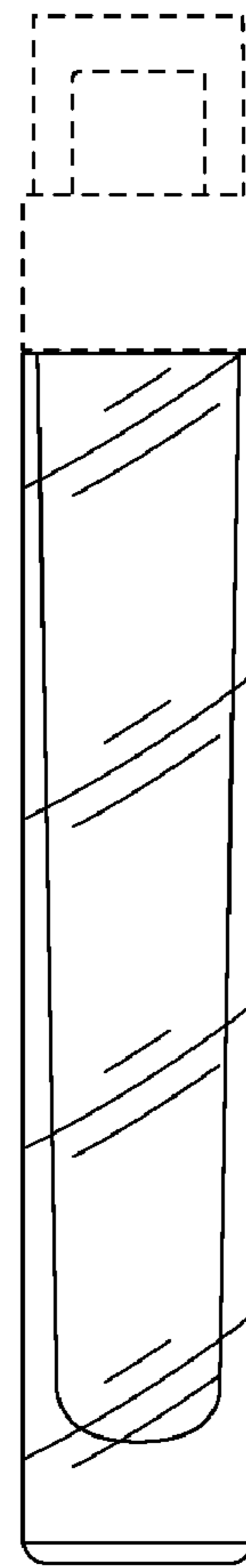


Fig. 12



Fig. 13

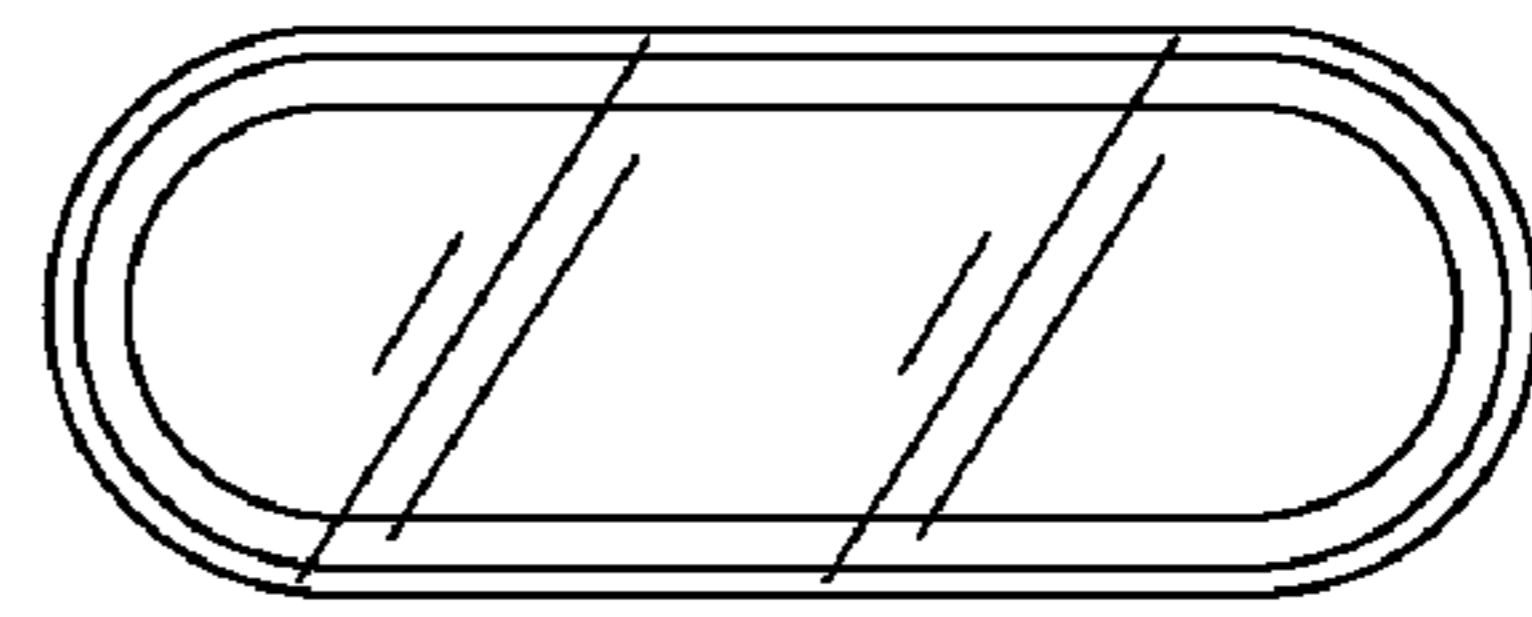


Fig. 14