



US00D627226S

(12) **United States Design Patent**  
**Gonzalez Sanchez et al.**

(10) **Patent No.:** **US D627,226 S**  
(45) **Date of Patent:** **\*\* Nov. 16, 2010**

(54) **PIVOTING LID FOR A BEVERAGE CAN**

(76) Inventors: **Jose Francisco Gonzalez Sanchez**,  
Salvador Espriu, 33, 1-B Caldes de  
Montbui, Barcelona (ES) 08140;  
**Francisco Javier Cana Martinez**,  
Figueras, 115 Caldes de Montbui,  
Barcelona (ES) 08140

(\*\*) Term: **14 Years**

(21) Appl. No.: **29/359,222**

(22) Filed: **Apr. 7, 2010**

(30) **Foreign Application Priority Data**

Oct. 8, 2009 (ES) ..... D0508328-02

(51) **LOC (9) Cl.** ..... **09-07**

(52) **U.S. Cl.** ..... **D9/449; D9/454**

(58) **Field of Classification Search** ..... D9/529,  
D9/504, 503, 454, 453, 452, 450, 449, 447,  
D9/446, 443, 435; D7/900, 396.2, 392.1;  
222/556, 544, 494, 480, 472, 321.9, 212,  
222/185.1; 220/837, 835, 813, 810, 375,  
220/254.5; 215/305, 228, 226, 200

See application file for complete search history.

(56) **References Cited**

**U.S. PATENT DOCUMENTS**

D353,328 S \* 12/1994 Nuffer ..... D9/446  
D419,879 S \* 2/2000 Robbins, III ..... D9/449  
D426,772 S \* 6/2000 Kahl ..... D9/449  
D445,687 S \* 7/2001 Gilbertson ..... D9/454  
D464,173 S \* 10/2002 Orsomando ..... D28/82

D472,803 S \* 4/2003 Saunders ..... D9/423  
D490,708 S \* 6/2004 Lown ..... D9/438  
D517,916 S \* 3/2006 Satt ..... D9/449  
D521,381 S \* 5/2006 Hicks et al. .... D9/449  
D521,866 S \* 5/2006 Hicks et al. .... D9/449  
D543,455 S \* 5/2007 Winner ..... D9/449  
D582,274 S \* 12/2008 Vogel ..... D9/449  
D604,614 S \* 11/2009 Janboecke ..... D9/454  
D611,812 S \* 3/2010 Tardif ..... D9/449

\* cited by examiner

*Primary Examiner*—Susan Bennett Hattan

(74) *Attorney, Agent, or Firm*—Sturm & Fix LLP

(57) **CLAIM**

The ornamental design for a pivoting lid for a beverage can, as shown and described.

**DESCRIPTION**

FIG. 1 is a perspective view of the pivoting lid for a beverage can showing my new design;

FIG. 2 is a perspective pivoted partially open view of my new design;

FIG. 3 is a side view, the other side being a mirror image of the side shown;

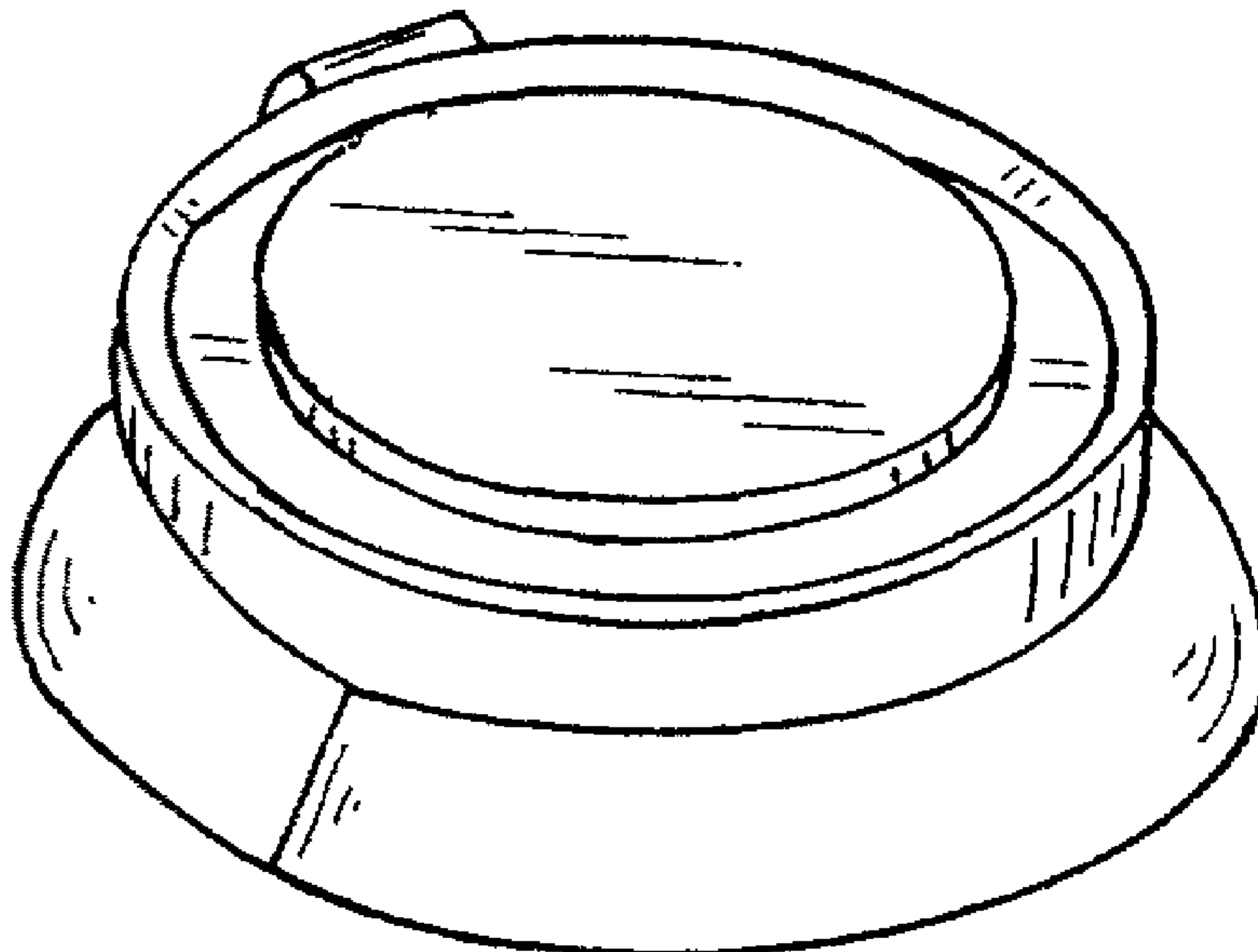
FIG. 4 is a front view of the pivoting lid for a beverage can;

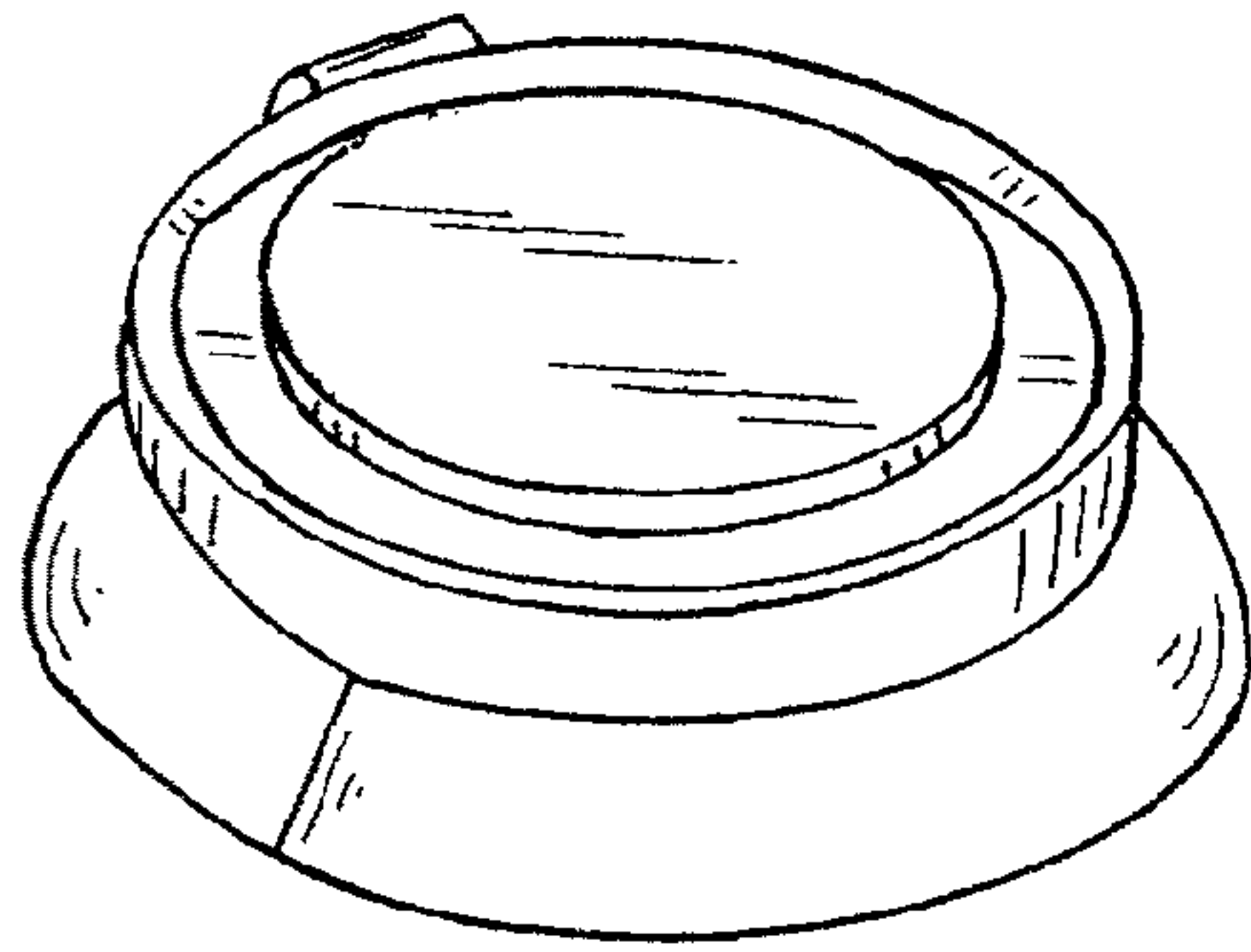
FIG. 5 is a back view of the pivoting lid for a beverage can;

FIG. 6 is a top view of the pivoting lid for a beverage can as shown in FIG. 1; and,

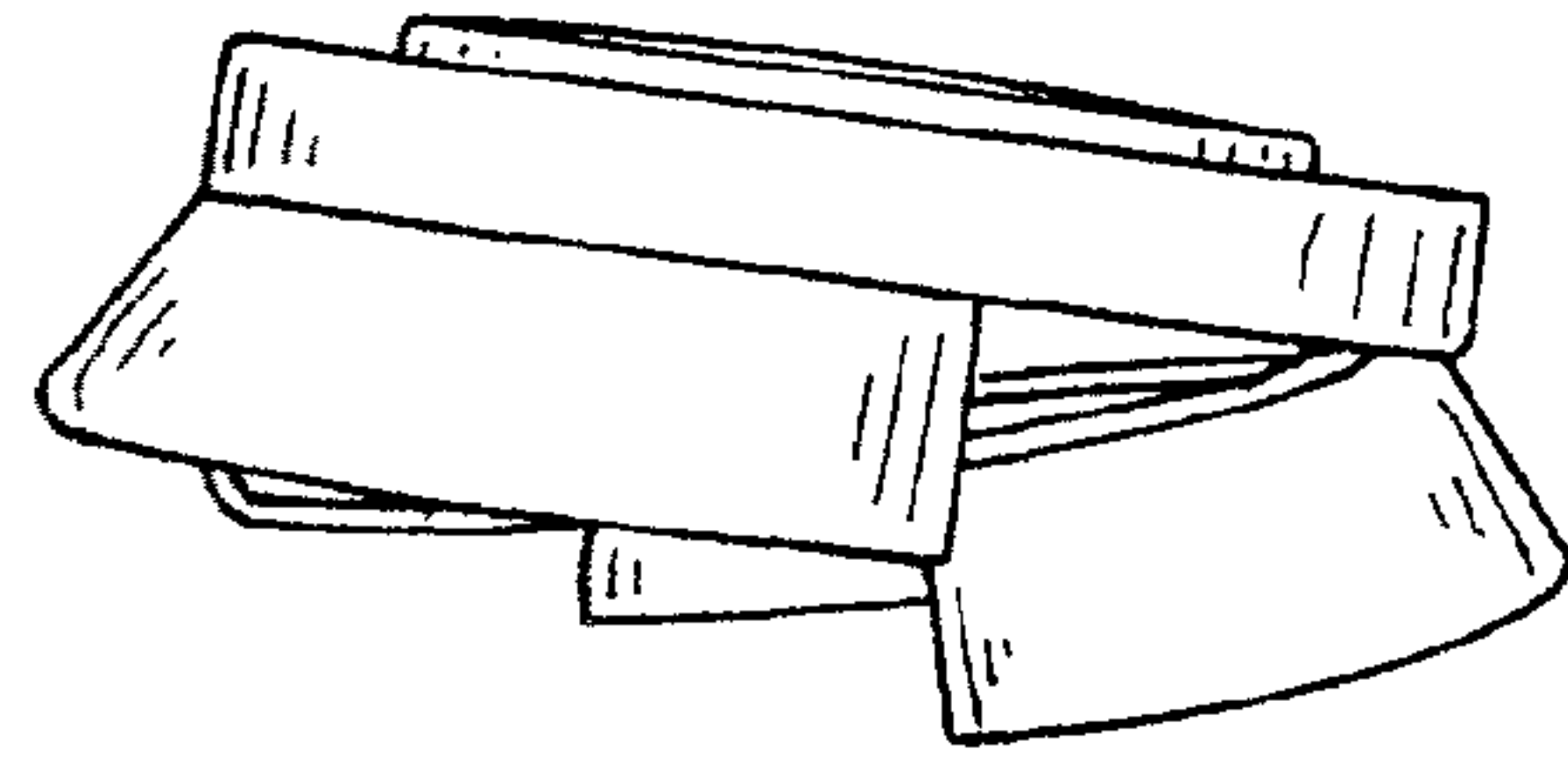
FIG. 7 is a bottom view of the pivoting lid for a beverage can as shown in FIG. 1.

**1 Claim, 1 Drawing Sheet**

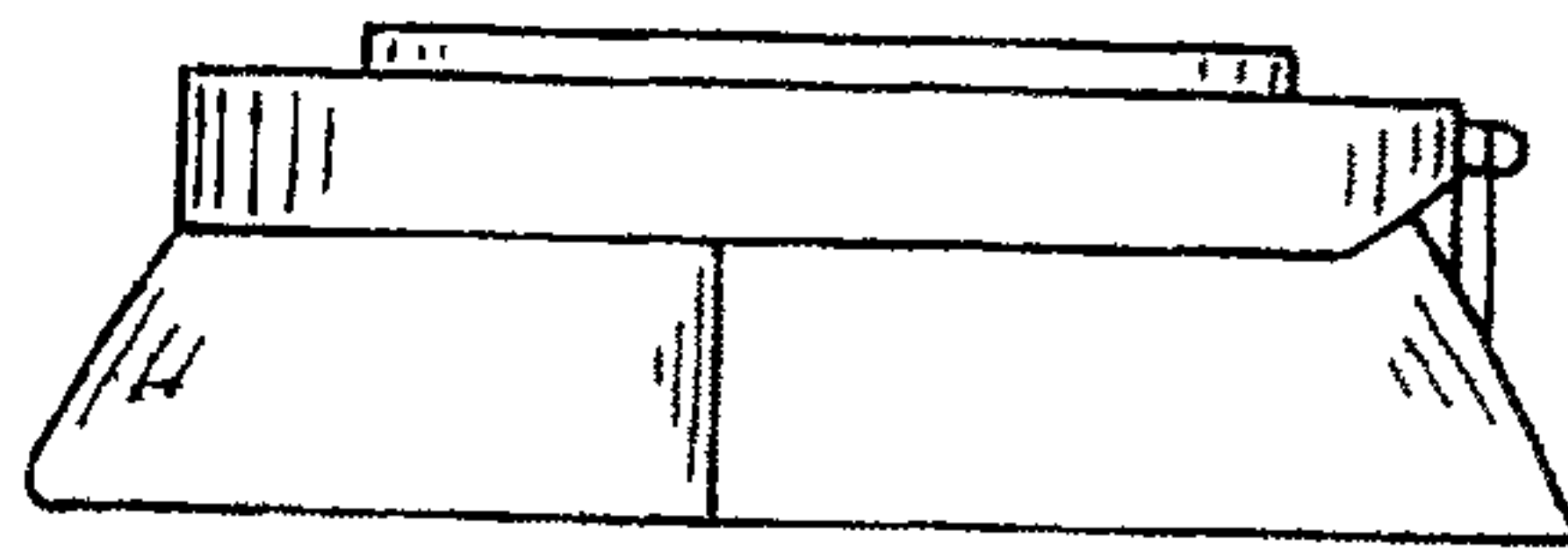




*Fig. 1*

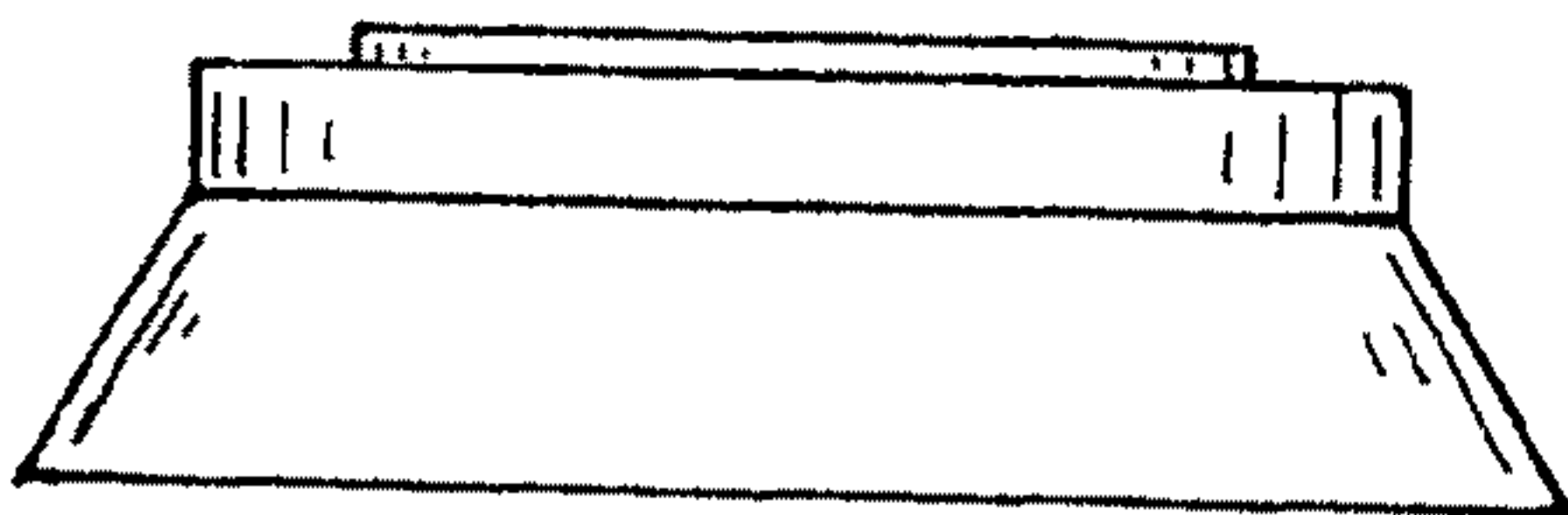


*Fig. 2*

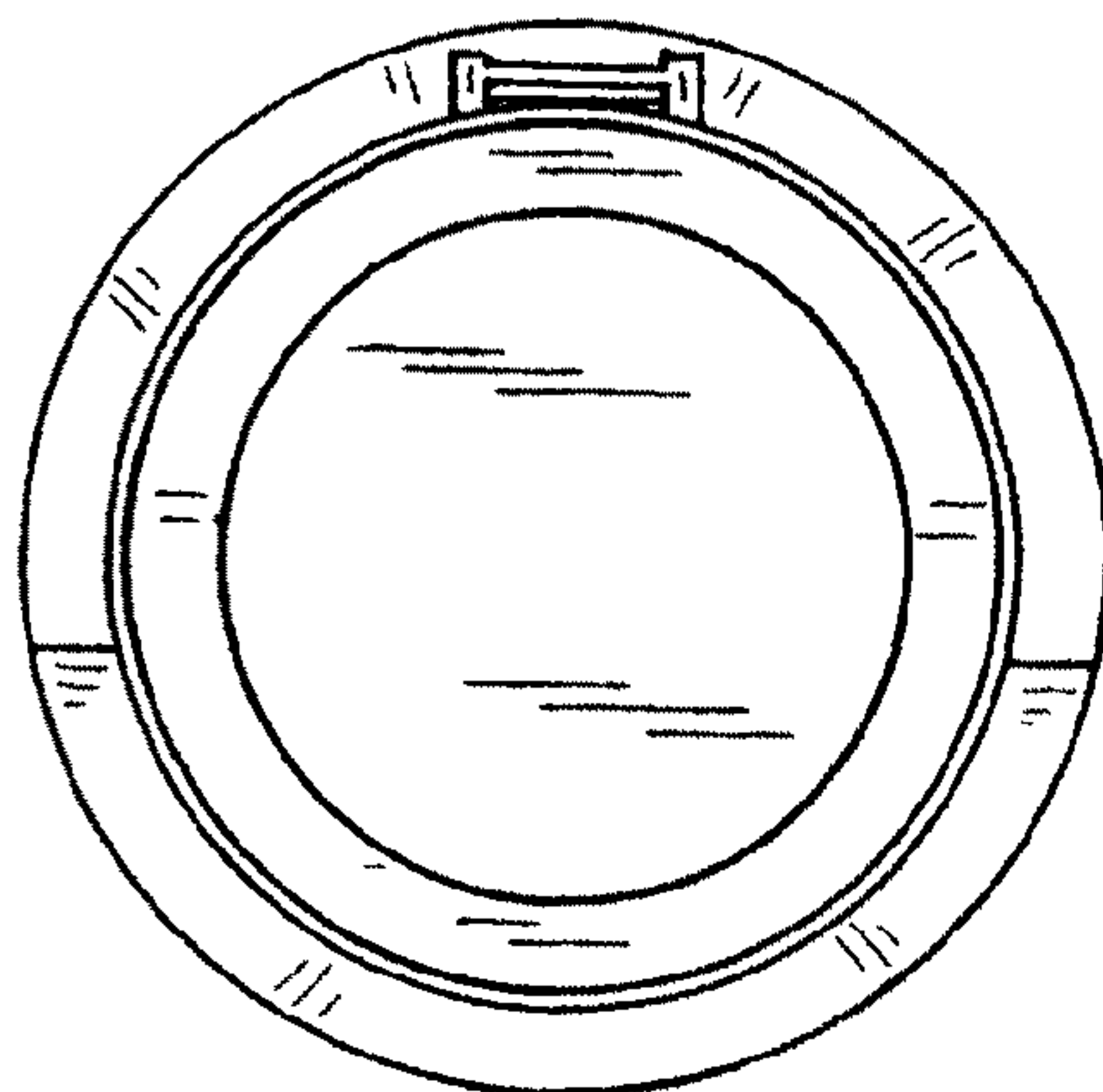
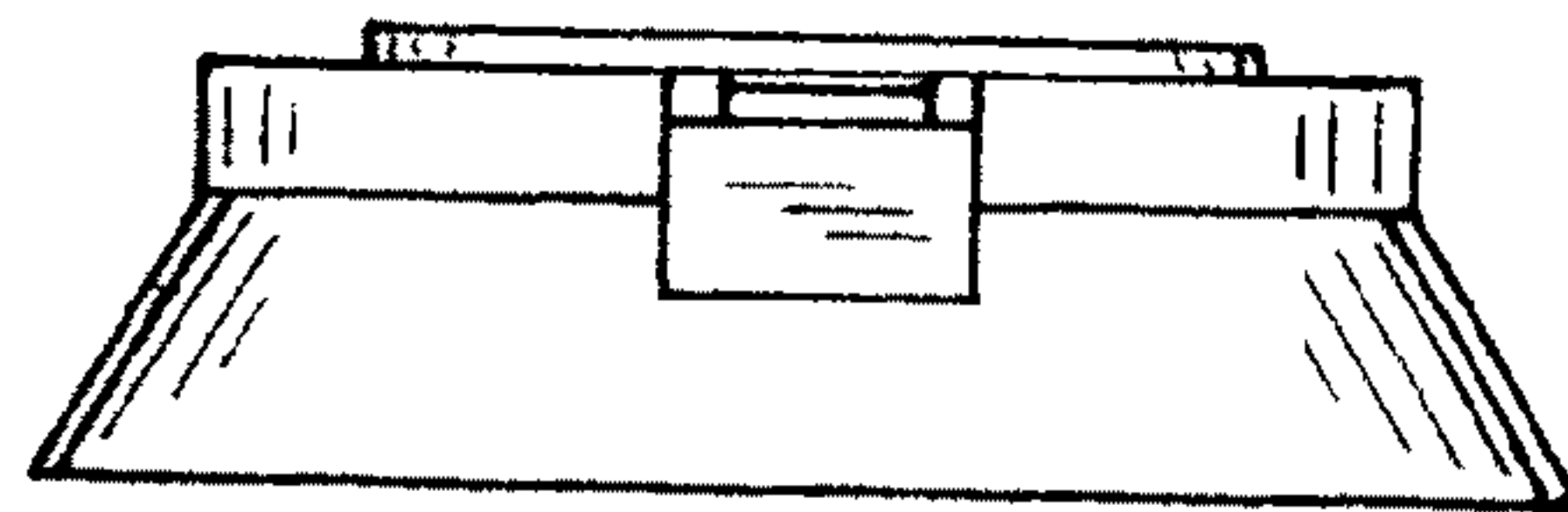


*Fig. 3*

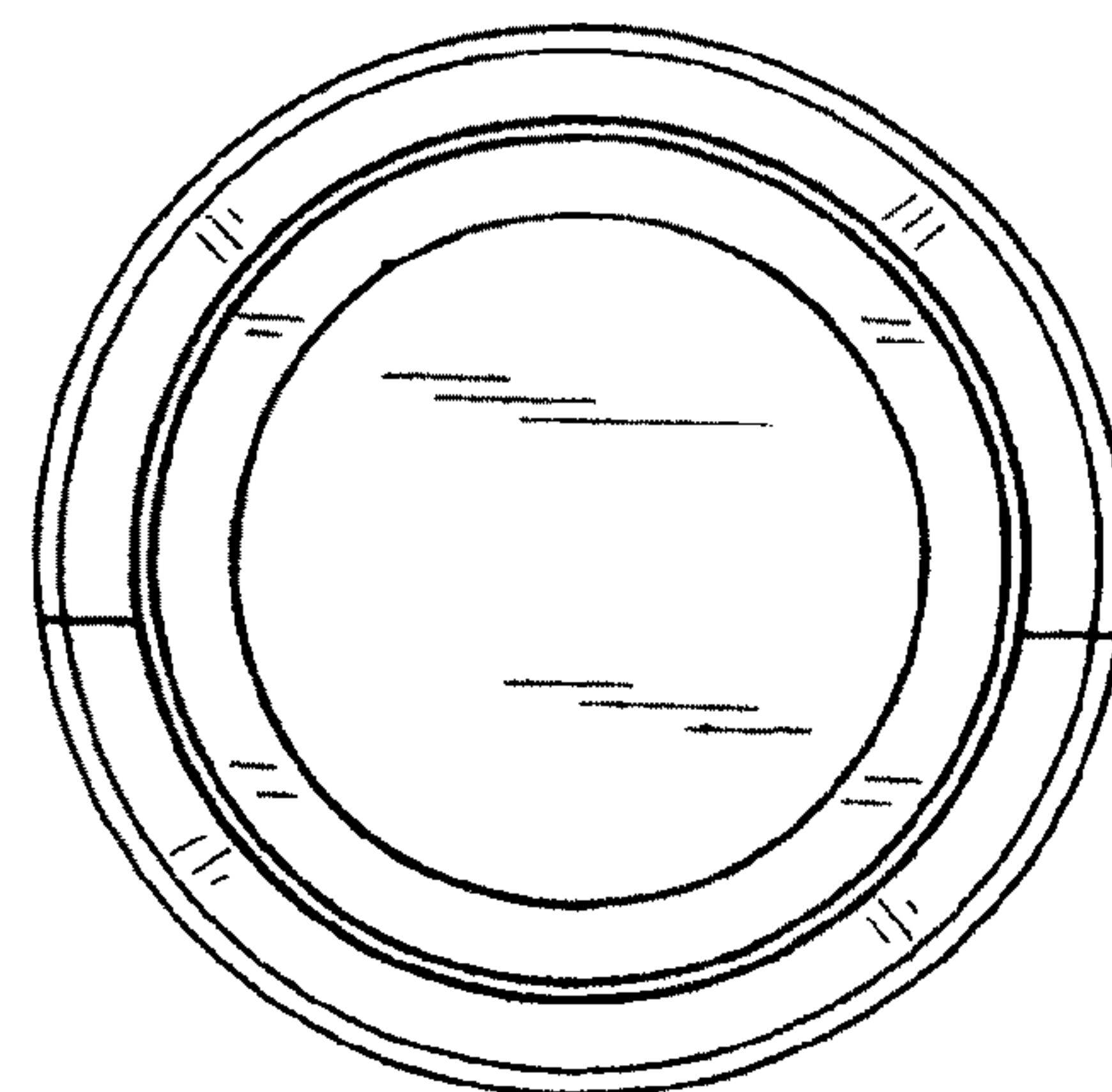
*Fig. 4*



*Fig. 5*



*Fig. 6*



*Fig. 7*