



US00D627223S

(12) **United States Design Patent**  
**Storti et al.**

(10) **Patent No.:** **US D627,223 S**

(45) **Date of Patent:** **\*\* Nov. 16, 2010**

(54) **REMOVABLE LID AND ASSOCIATED CONTAINER**

D482,607 S \* 11/2003 McRae ..... D9/443

D524,909 S \* 7/2006 Bakke et al. .... D23/233

D621,258 S \* 8/2010 Gullickson et al. .... D9/443

(75) Inventors: **Tim Storti**, Ludwigsburg (DE);  
**Christian Rummel**, Ludwigsburg (DE)

(73) Assignee: **ALFI GmbH Isoliergefäesse,**  
**Metall-und Haushaltswaren,**  
Baden-Wurttemberg (DE)

\* cited by examiner

*Primary Examiner*—Susan Bennett Hattan

(74) *Attorney, Agent, or Firm*—Conley Rose, P.C.

(\*\*) Term: **14 Years**

(21) Appl. No.: **29/355,941**

(57) **CLAIM**

(22) Filed: **Feb. 17, 2010**

The ornamental design for a removable lid and associated container, as shown and described.

(30) **Foreign Application Priority Data**

Feb. 2, 2010 (EP) ..... 001664707

**DESCRIPTION**

(51) **LOC (9) Cl.** ..... **09-07**

(52) **U.S. Cl.** ..... **D9/443**

(58) **Field of Classification Search** ..... D9/761,  
D9/759, 756, 708, 709, 702, 456, 455, 454,  
D9/453, 445, 443, 436, 435, 434; 53/412;  
248/146; 229/120; 222/109; 220/4.23; 219/439;  
215/305; 206/529, 427; D7/396.2, 392.1,  
D7/692

See application file for complete search history.

FIG. 1 shows an isometric view of the removable lid and associated container.

FIG. 2 shows a front side view of the removable lid and associated container.

FIG. 3 shows a left side view of the removable lid and associated container; and,

FIG. 4 shows a top view of the removable lid and associated container.

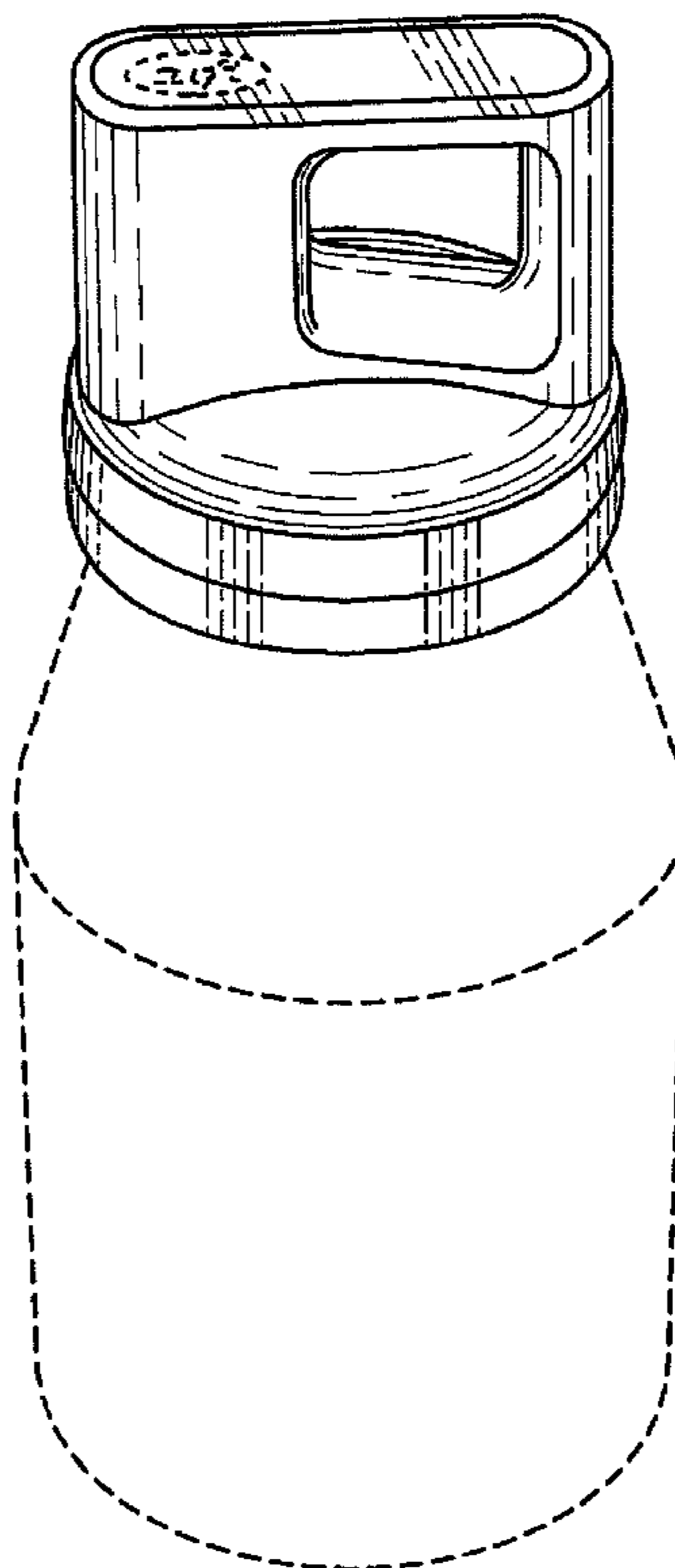
(56) **References Cited**

**U.S. PATENT DOCUMENTS**

D235,303 S \* 6/1975 Boucher ..... D7/672

The broken lines in the drawings depict environmental subject matter only and form no part of the claimed design.

**1 Claim, 2 Drawing Sheets**



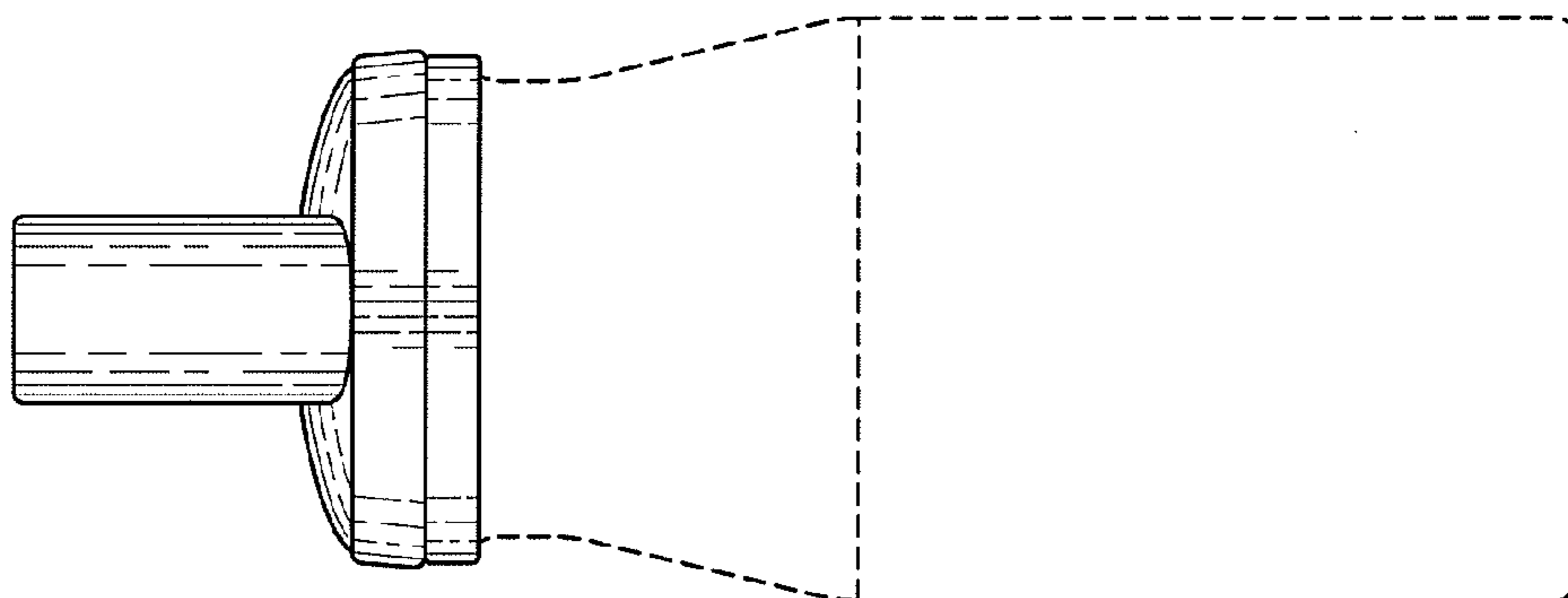


FIG. 2

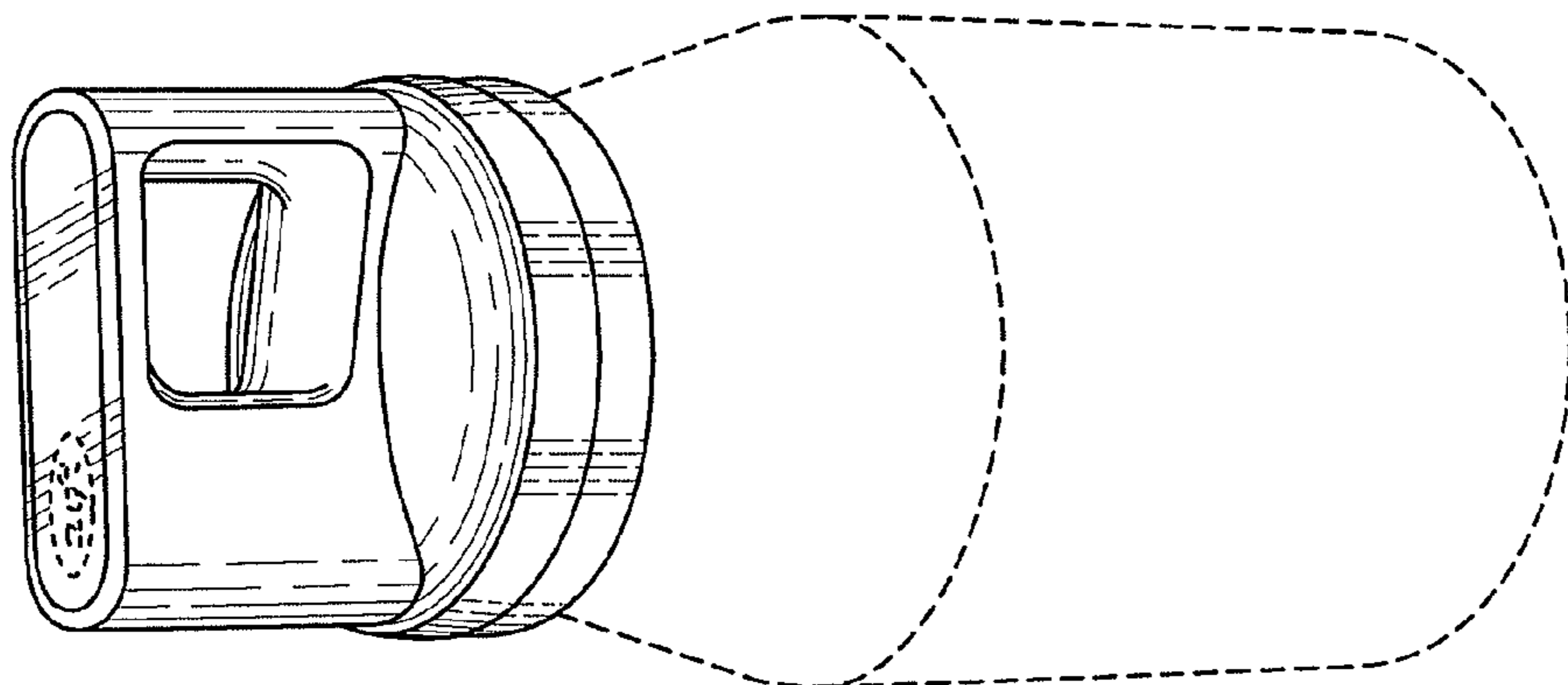


FIG. 1

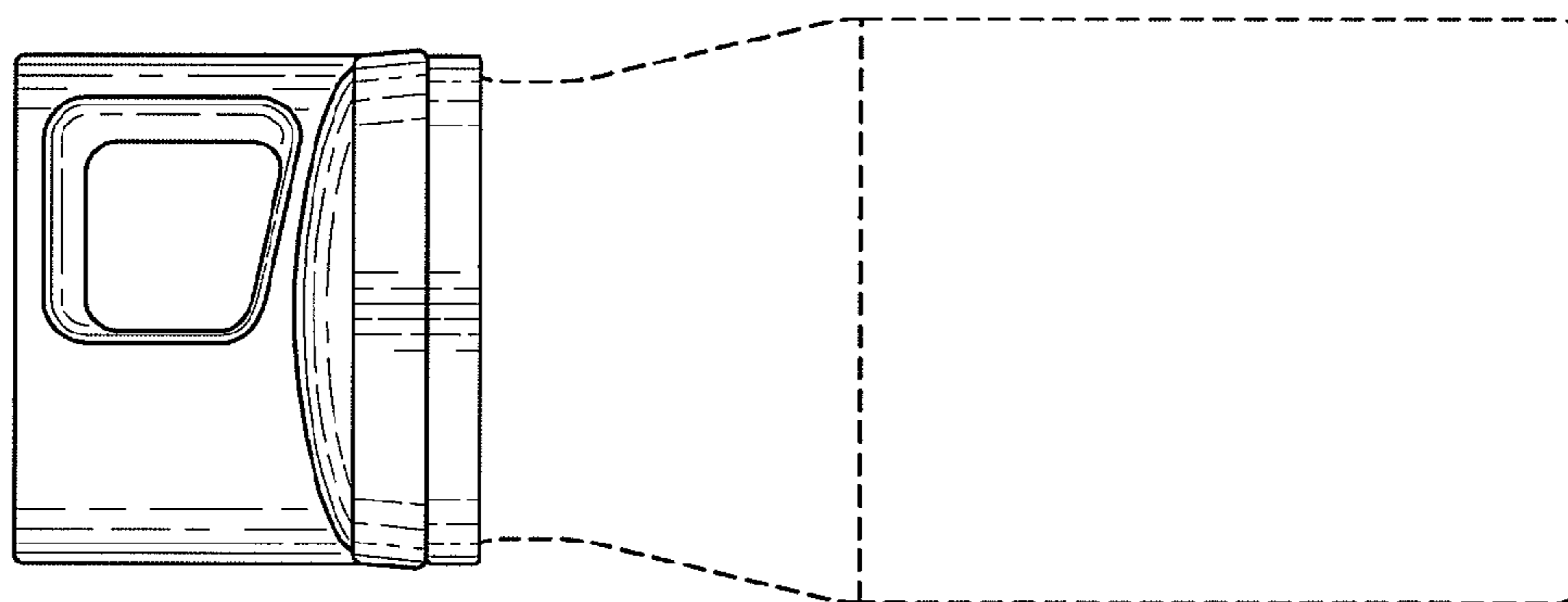


FIG. 3

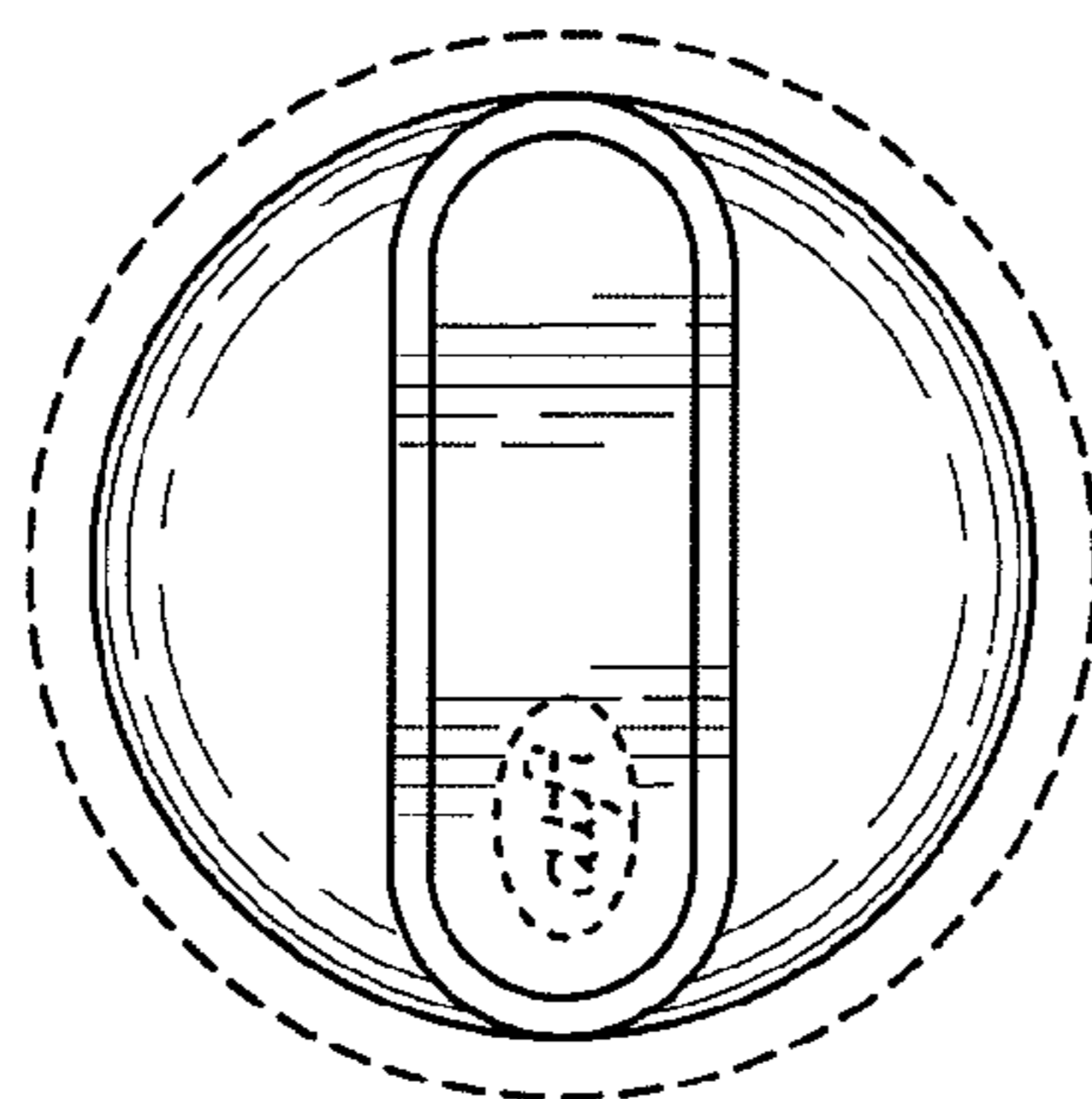


FIG. 4