



US00D627221S

(12) **United States Design Patent**
Kovatch

(10) **Patent No.:** **US D627,221 S**

(45) **Date of Patent:** **** Nov. 16, 2010**

(54) **CLAM SHELL CONTAINER**

D601,013 S 9/2009 Petitjean
D601,014 S 9/2009 Petitjean

(76) Inventor: **William Kovatch**, 9020 NW. 105 Way,
Medley, FL (US) 33178

* cited by examiner

(**) Term: **14 Years**

Primary Examiner—Thomas J Johannes

(74) *Attorney, Agent, or Firm*—Ruben Alcoba, Esq.

(21) Appl. No.: **29/345,405**

(57) **CLAIM**

(22) Filed: **Oct. 15, 2009**

I claim the ornamental design for a clam shell container, as shown and described.

(51) **LOC (9) Cl.** **09-03**

(52) **U.S. Cl.** **D9/429; D9/426**

(58) **Field of Classification Search** D9/414,
D9/418, 420, 423, 424, 425, 426, 429, 431,
D9/432; D7/602, 629; 206/541, 815; 220/315,
220/324; 229/406, 407, 902

See application file for complete search history.

DESCRIPTION

FIG. 1 is an open perspective view of a clam shell container showing my new design;

FIG. 2 is an open top plan view thereof;

FIG. 3 is an open top side elevation view thereof;

FIG. 4 is a closed top plan view thereof;

FIG. 5 is a bottom closed plan view thereof;

FIG. 6 is a closed side elevation view thereof;

FIG. 7 is a closed front elevation view thereof; and,

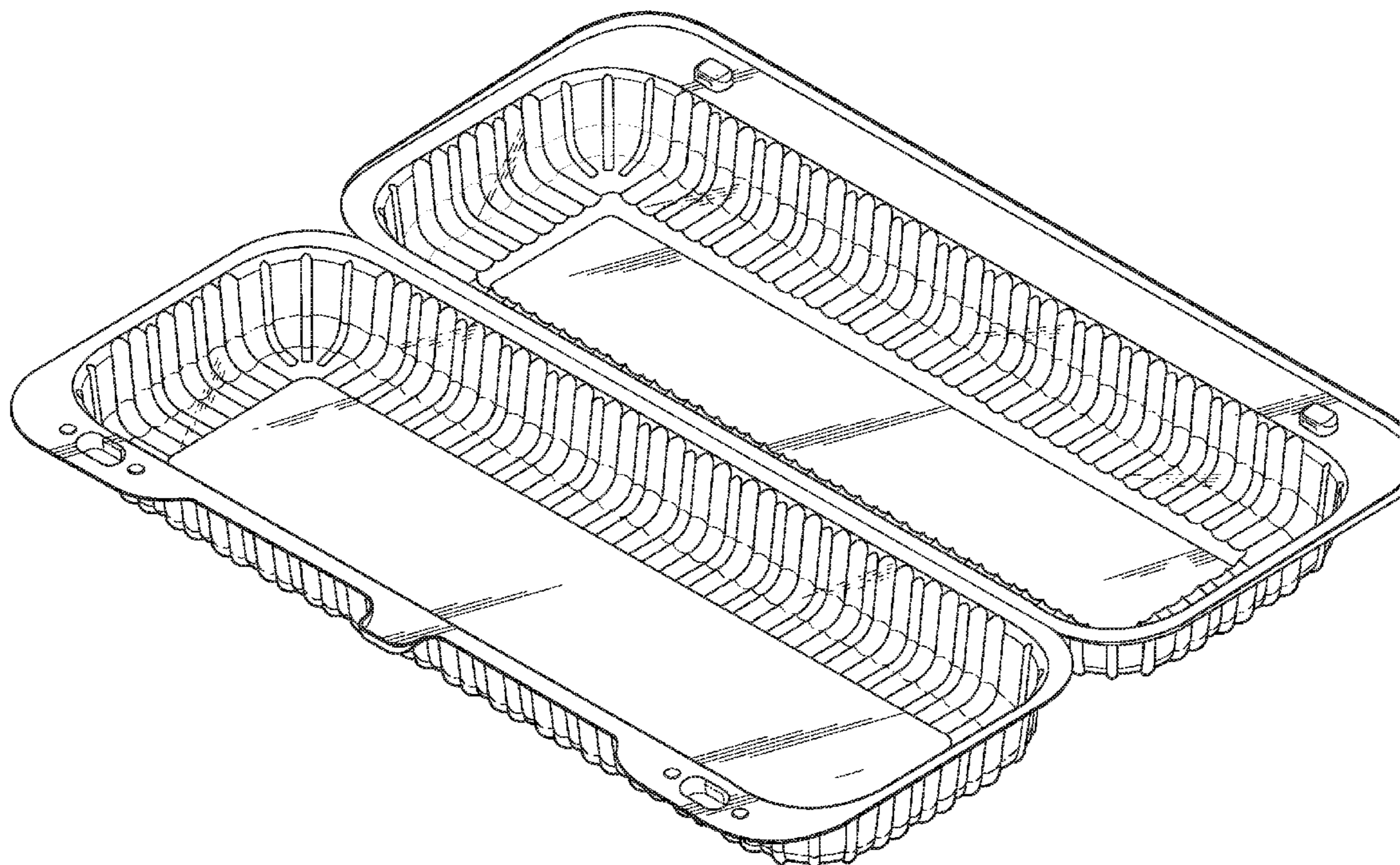
FIG. 8 is a closed back view elevation thereof.

(56) **References Cited**

U.S. PATENT DOCUMENTS

D391,850 S *	3/1998	Krupa et al.	D9/429
D427,902 S *	7/2000	Hayes et al.	D9/425
D581,781 S *	12/2008	Enriquez	D9/429
D594,324 S *	6/2009	Colacitti	D9/425
D594,326 S *	6/2009	Colacitti	D9/425

1 Claim, 4 Drawing Sheets



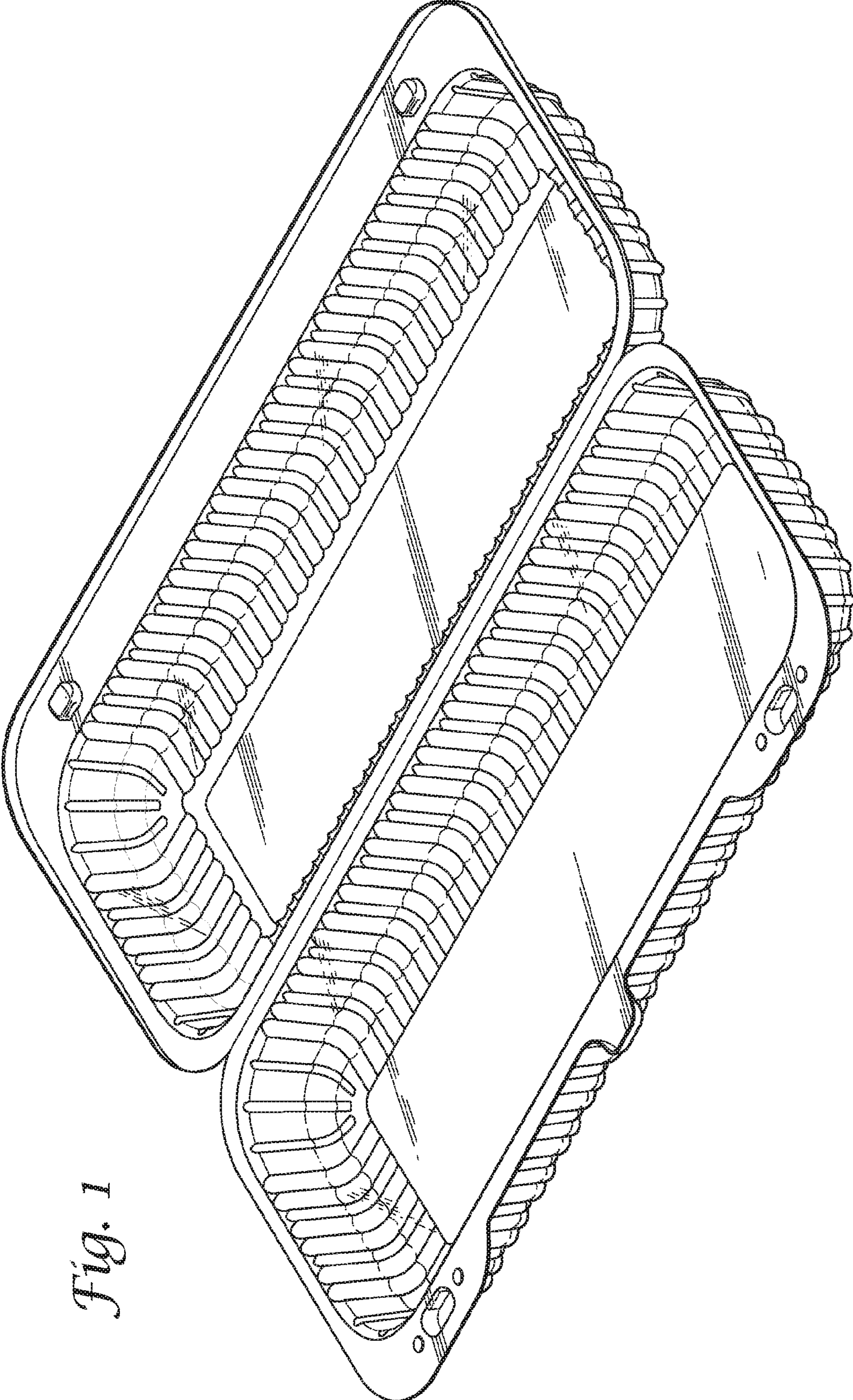


Fig. 1

Fig. 3

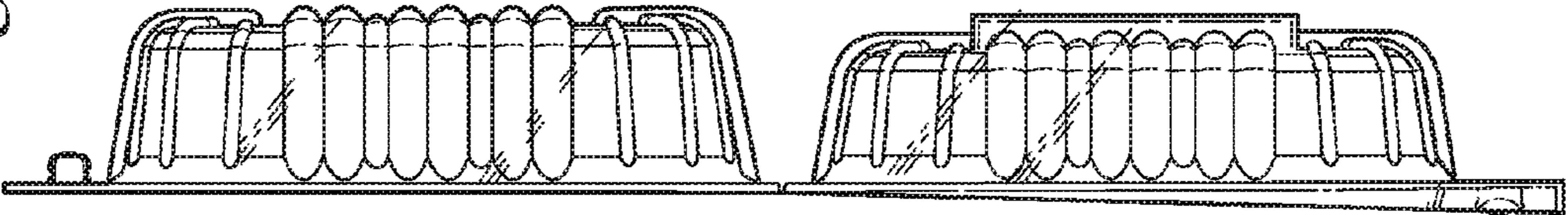
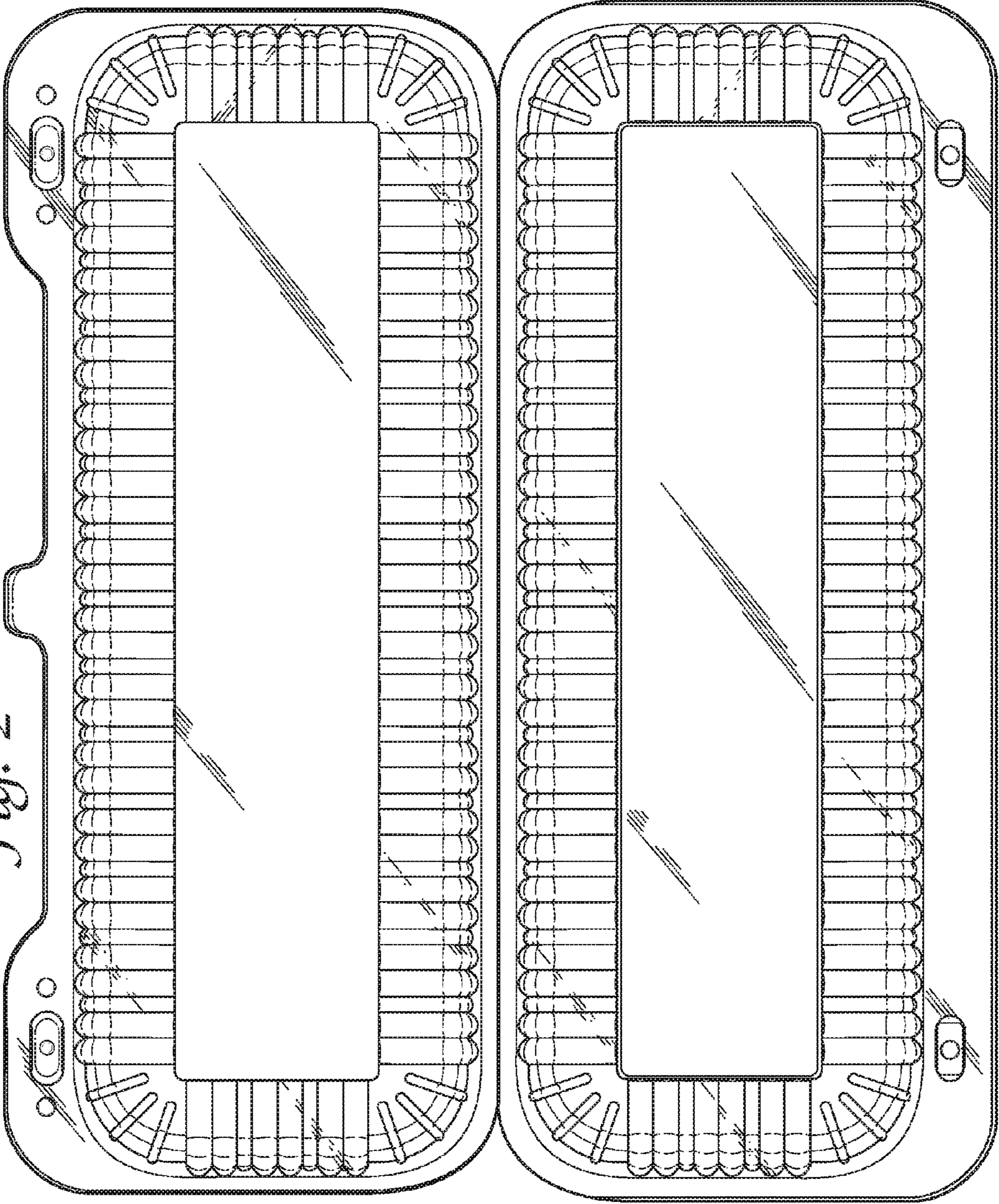


Fig. 2



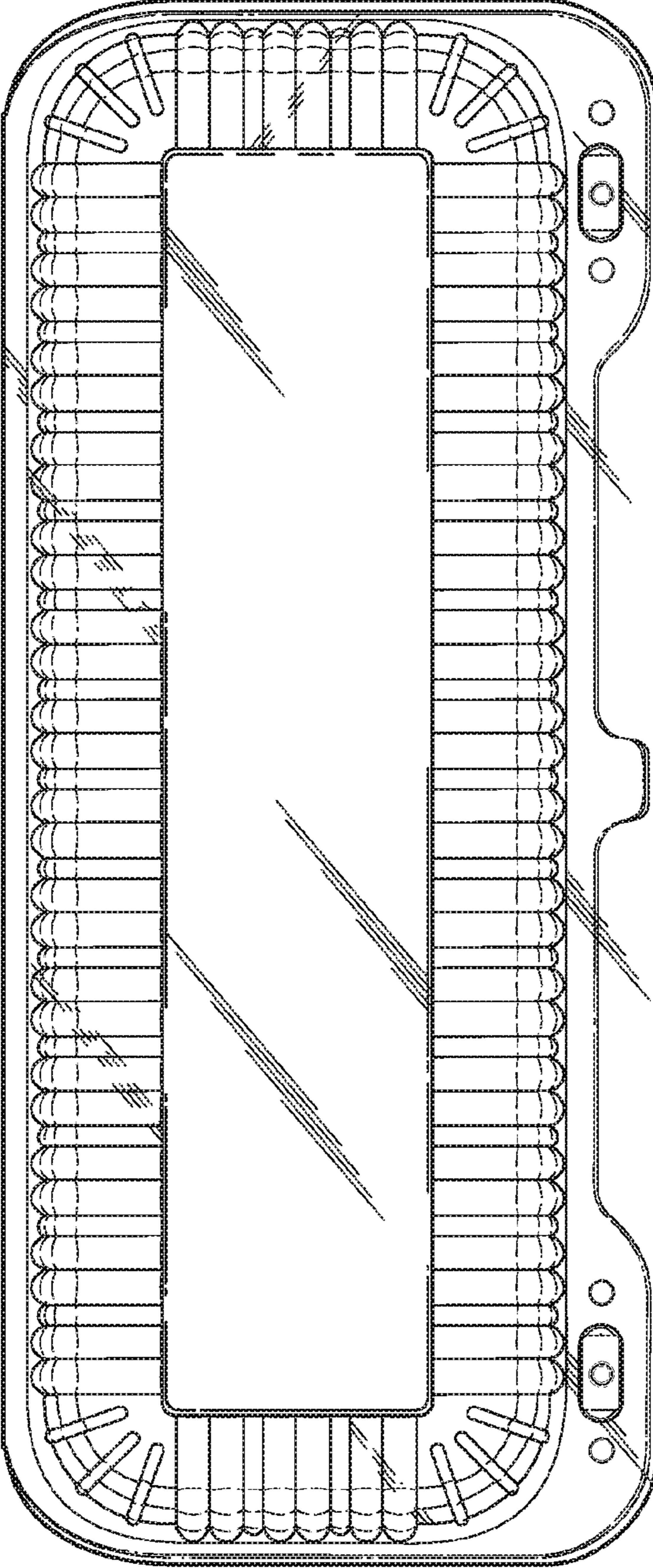


Fig. 4

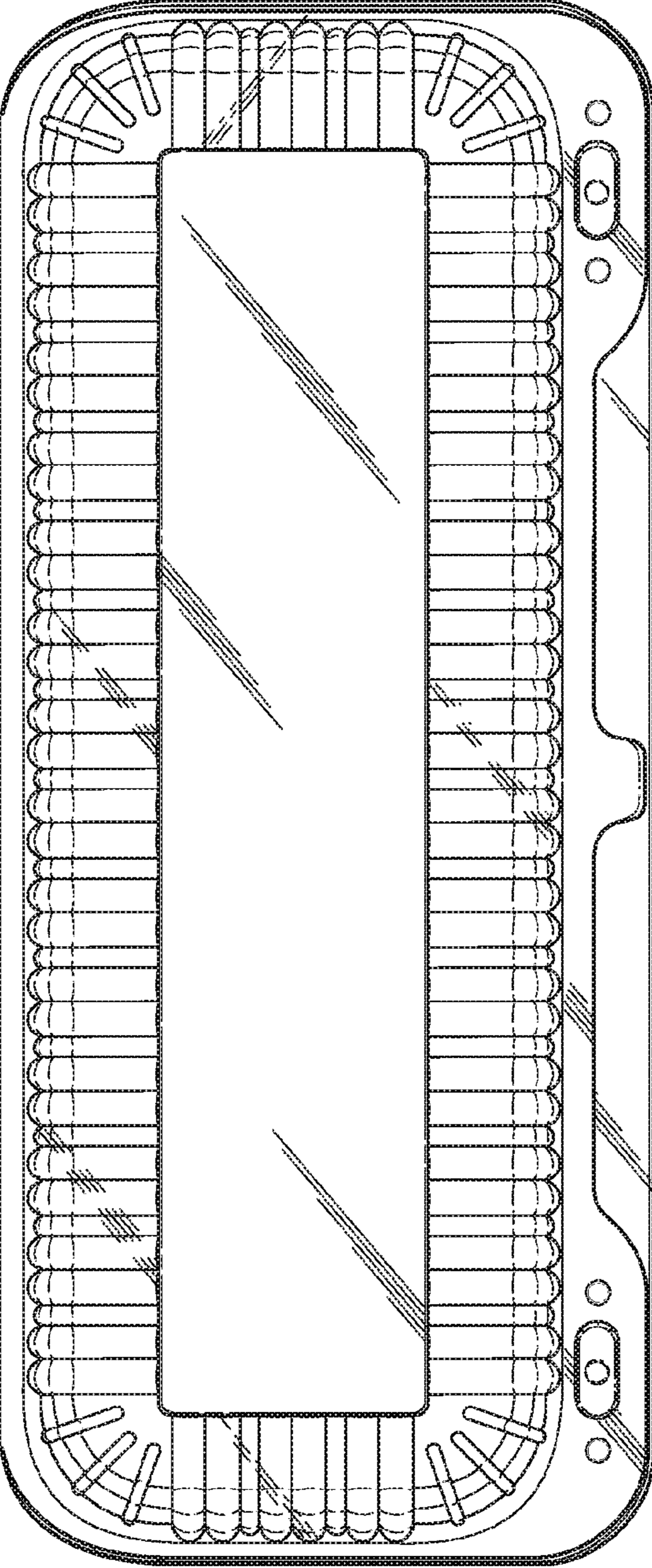


Fig. 5

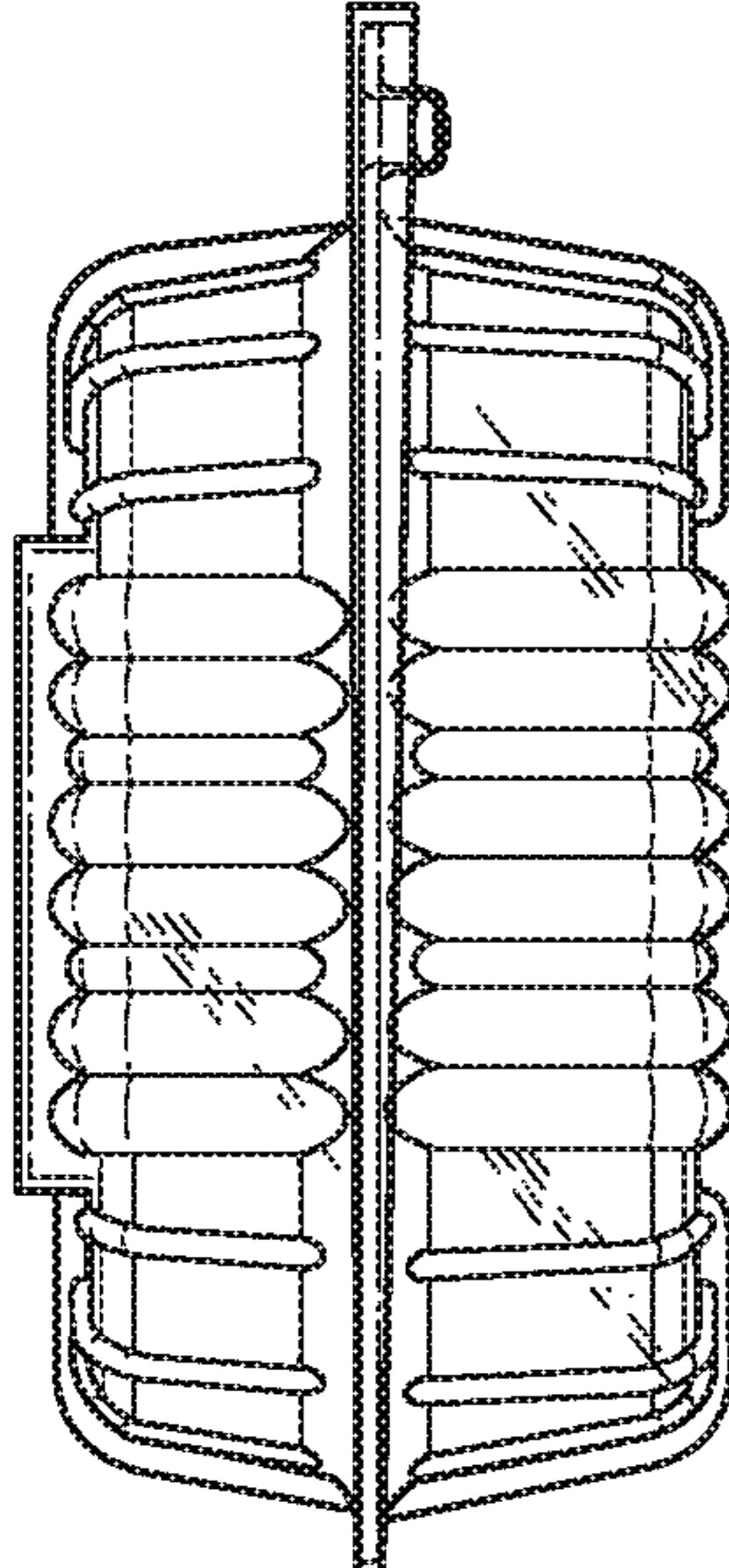


Fig. 6

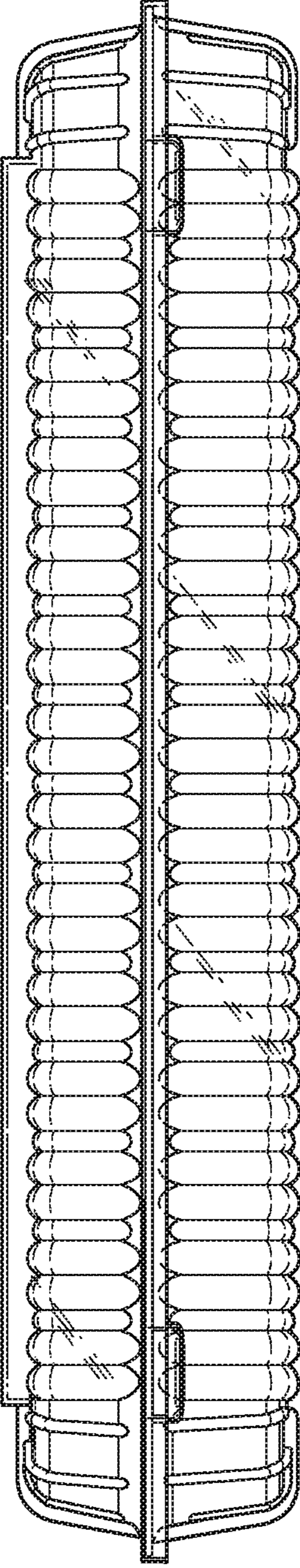


Fig. 7

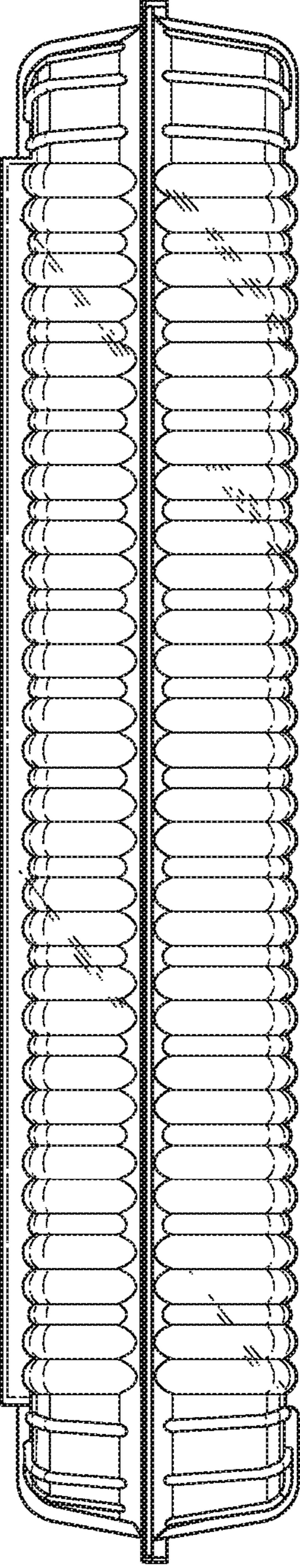


Fig. 8