



US00D627220S

(12) **United States Design Patent**
LeMaster et al.

(10) **Patent No.:** **US D627,220 S**

(45) **Date of Patent:** **** Nov. 16, 2010**

(54) **BLISTER PACK**

(57) **CLAIM**

(75) Inventors: **William R. LeMaster**, San Diego, CA (US); **Jesse B. Cohen**, San Diego, CA (US)

The ornamental design for the blister pack, as shown and described.

(73) Assignee: **Molecular Bioproducts, Inc.**, San Diego, CA (US)

DESCRIPTION

(**) Term: **14 Years**

(21) Appl. No.: **29/353,436**

(22) Filed: **Jan. 8, 2010**

(51) **LOC (9) Cl.** **09-03**

(52) **U.S. Cl.** **D9/425**

(58) **Field of Classification Search** D9/424–426,
D9/429–432, 435, 732; D7/538, 540, 542,
D7/550.1, 565, 584, 601–603, 605, 629;
220/4.23–4.24, 23.86, 315, 367.1, 571, 600,
220/608, 752, 780–781, 788, 791–793, 835,
220/839; 229/105, 117.09, 117.26, 189,
229/406, 407, 902, 905, 915.1; 206/501–509,
206/512; 426/106

See application file for complete search history.

(56) **References Cited**

U.S. PATENT DOCUMENTS

3,498,494	A *	3/1970	Voorhees, Jr.	206/501
D276,025	S *	10/1984	Hexamer	D9/425
D283,399	S *	4/1986	Forbes, Jr.	D9/416
D296,192	S *	6/1988	Ramirez	D9/425
D415,416	S *	10/1999	Anderson et al.	D9/732
6,202,886	B1 *	3/2001	Schneider et al.	220/645
D439,839	S *	4/2001	Wolf et al.	D9/431
D593,369	S *	6/2009	Green et al.	D7/602
7,721,891	B2 *	5/2010	Dubois	206/507

* cited by examiner

Primary Examiner—Thomas J Johannes

(74) *Attorney, Agent, or Firm*—Wood, Herron & Evans, LLP

FIG. 1 is an isometric view of a first embodiment of our new blister pack design;

FIG. 2 is a front elevation view thereof shown in FIG. 1;

FIG. 3 is a right side elevation view thereof shown in FIG. 1;

FIG. 4 is a rear elevation view thereof shown in FIG. 1;

FIG. 5 is a left side elevation view thereof shown in FIG. 1;

FIG. 6 is a top plan view thereof shown in FIG. 1;

FIG. 7 is a bottom plan view thereof shown in FIG. 1;

FIG. 8 is a cross-sectional view taken along line 8—8 of FIG. 6;

FIG. 9 is a cross-sectional view taken along line 9—9 of FIG. 2;

FIG. 10 is an isometric view of a second embodiment of our new blister pack design;

FIG. 11 is a front elevation view thereof shown in FIG. 10;

FIG. 12 is a right side elevation view thereof shown in FIG. 10;

FIG. 13 is a rear elevation view thereof shown in FIG. 10;

FIG. 14 is a left side elevation view thereof shown in FIG. 10;

FIG. 15 is a top plan view thereof shown in FIG. 10;

FIG. 16 is a bottom plan view thereof shown in FIG. 10;

FIG. 17 is a cross-sectional view taken along line 17—17 of FIG. 15;

FIG. 18 is a cross-sectional view taken along line 18—18 of FIG. 11;

FIG. 19 is an isometric view of a third embodiment of our new blister pack design;

FIG. 20 is a front elevation view thereof shown in FIG. 19;

FIG. 21 is a right side elevation view thereof shown in FIG. 19;

FIG. 22 is a rear elevation view thereof shown in FIG. 19;

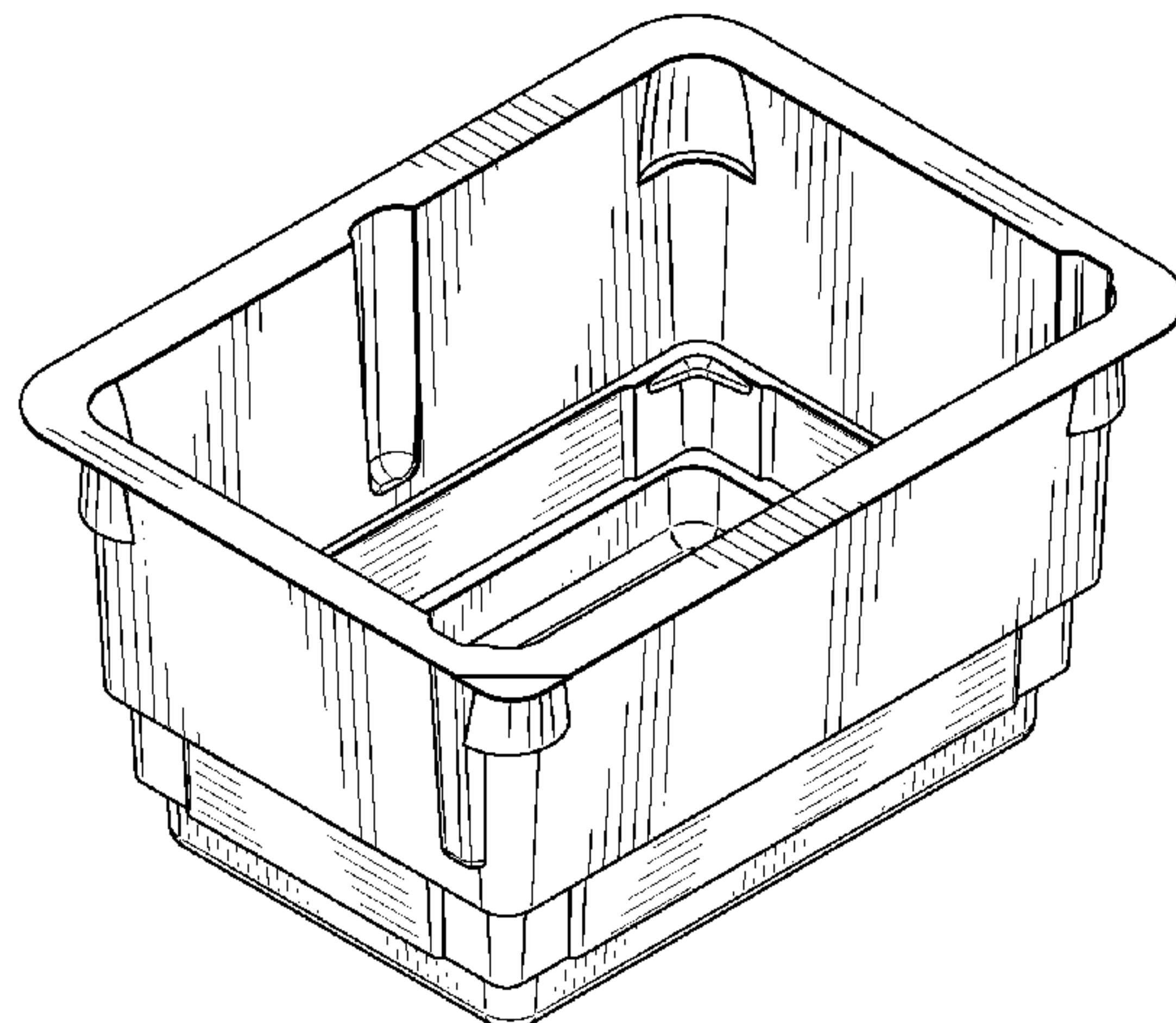


FIG. **23** is a left side elevation view thereof shown in FIG. **19**;
FIG. **24** is a top elevation view thereof shown in FIG. **19**;
FIG. **25** is a bottom elevation view thereof shown in FIG. **19**;
FIG. **26** is a cross-sectional view taken along line **26—26** of
FIG. **24**; and,
FIG. **27** is a cross-sectional view taken along line **27—27** of
FIG. **20**.

The broken line portion of the figure drawings is included to show unclaimed subject matter only and forms no part of the claimed design.

1 Claim, 15 Drawing Sheets

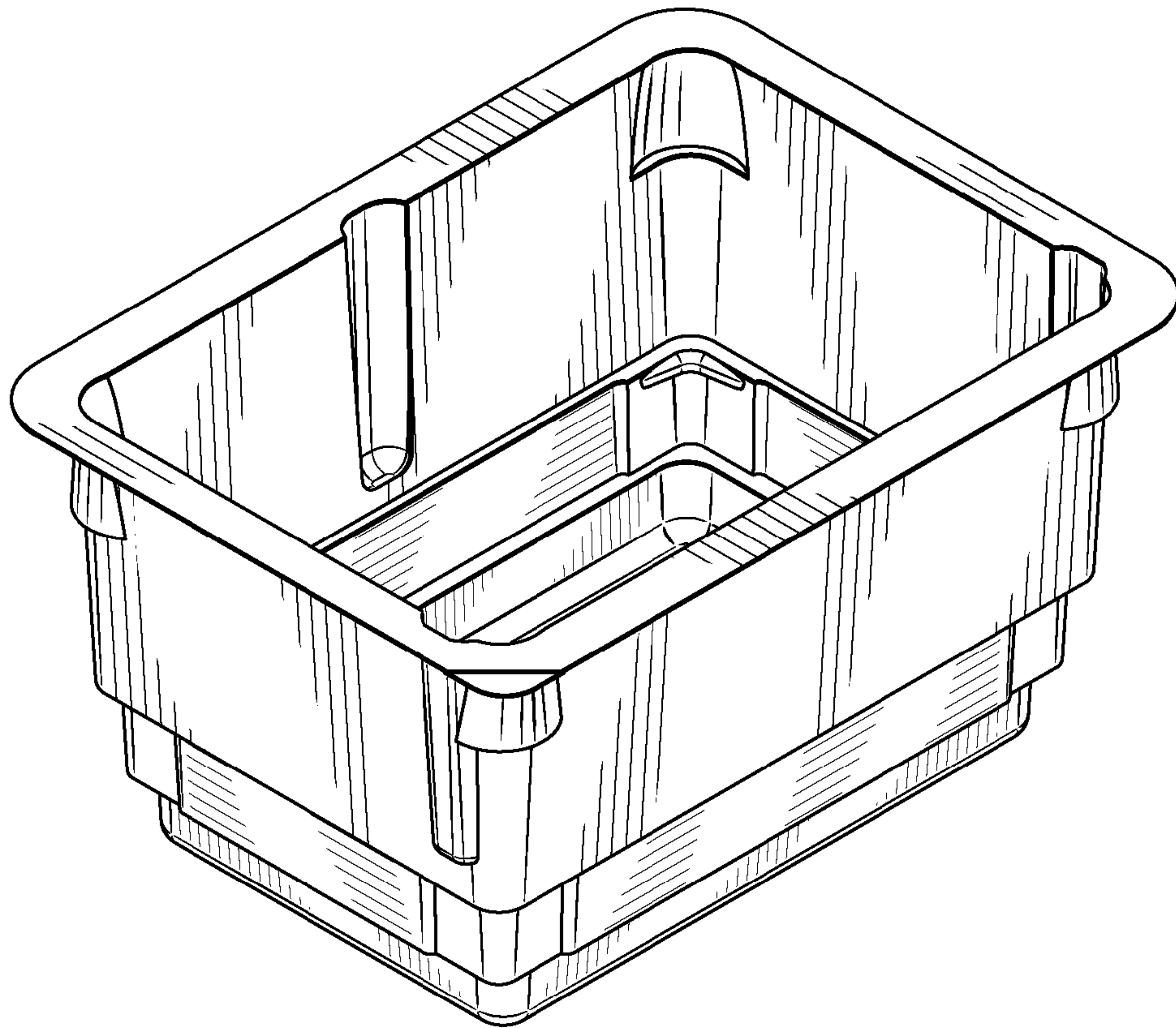


FIG. 1

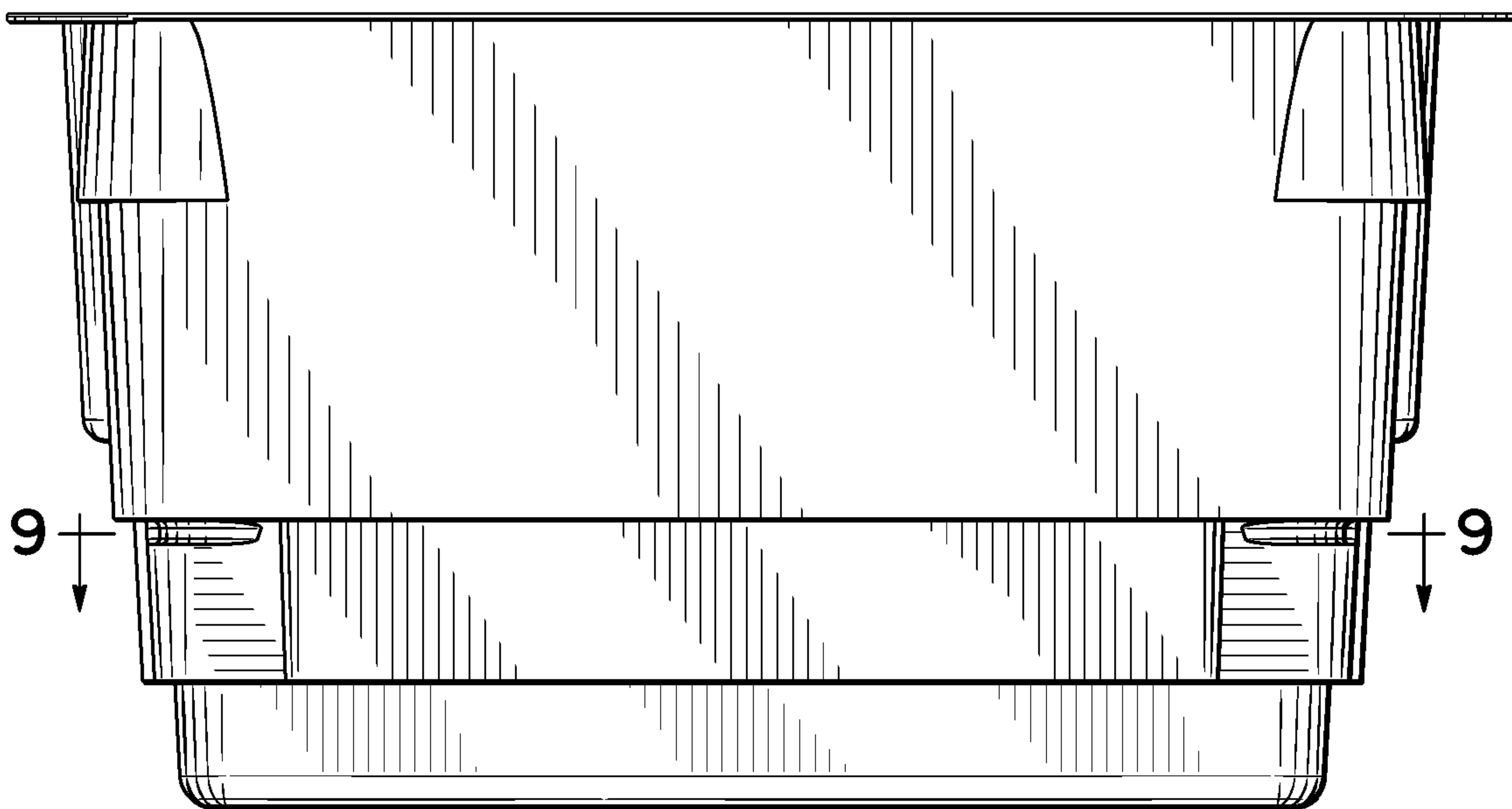


FIG. 2

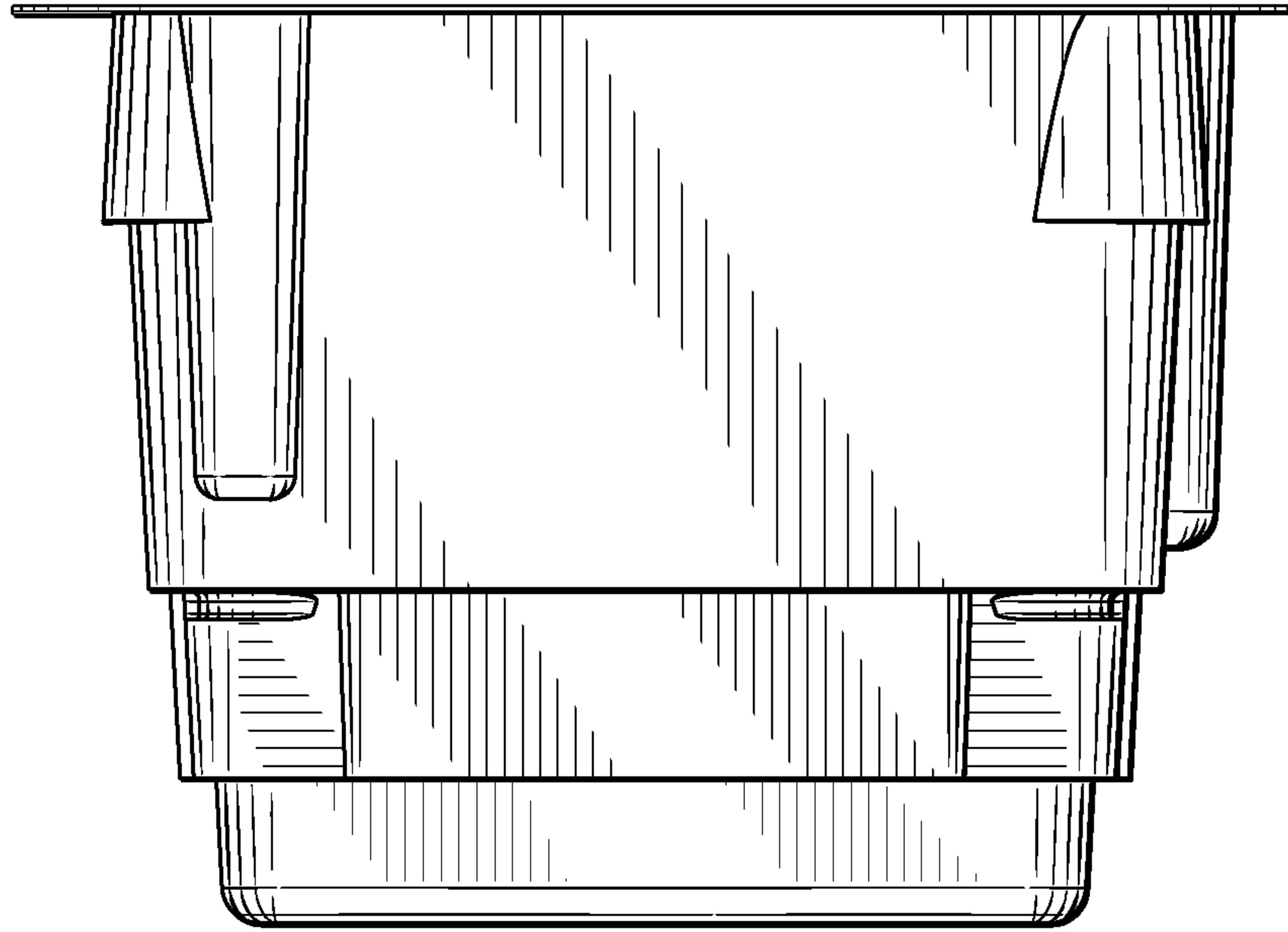


FIG. 3

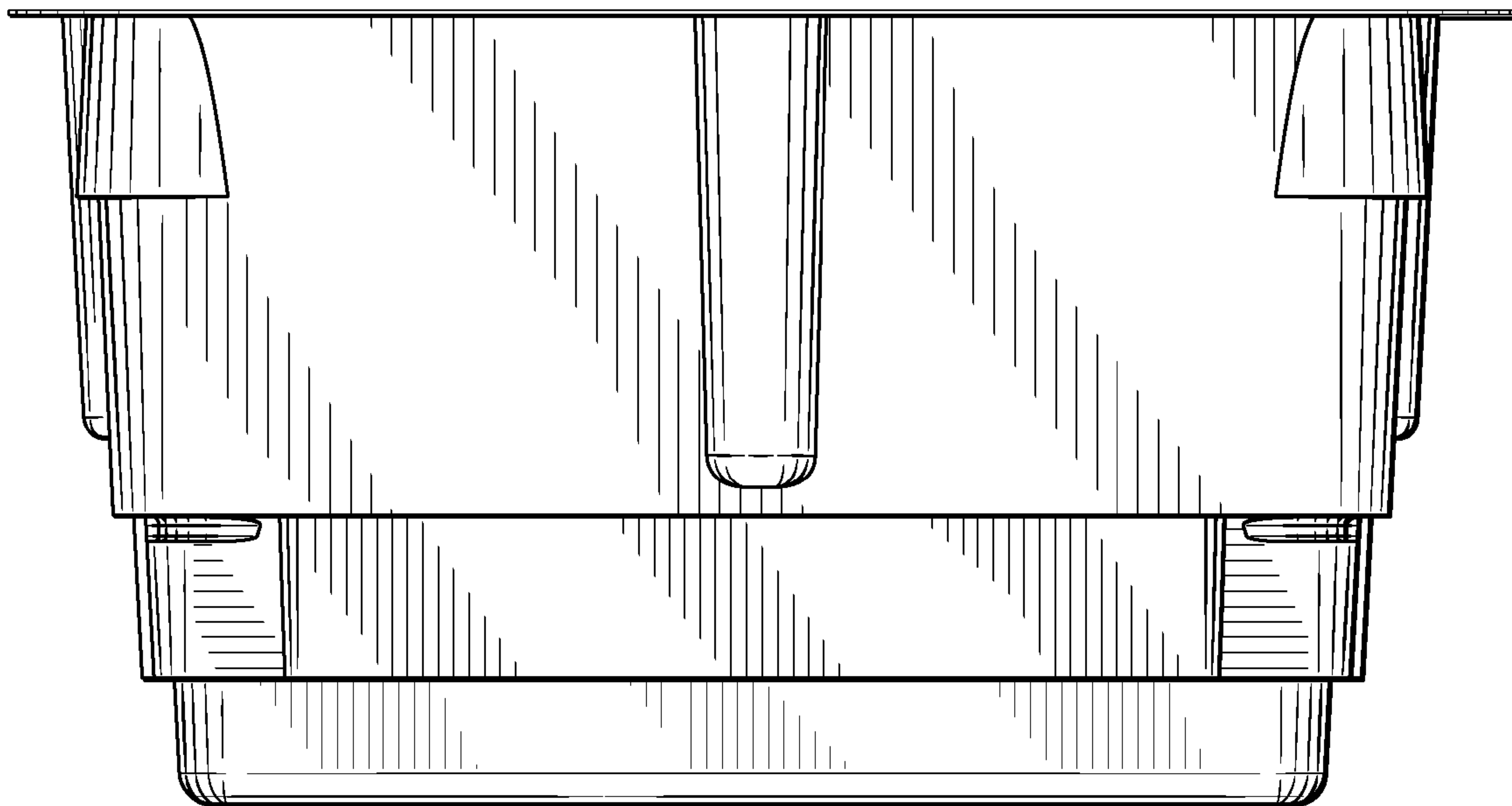


FIG. 4

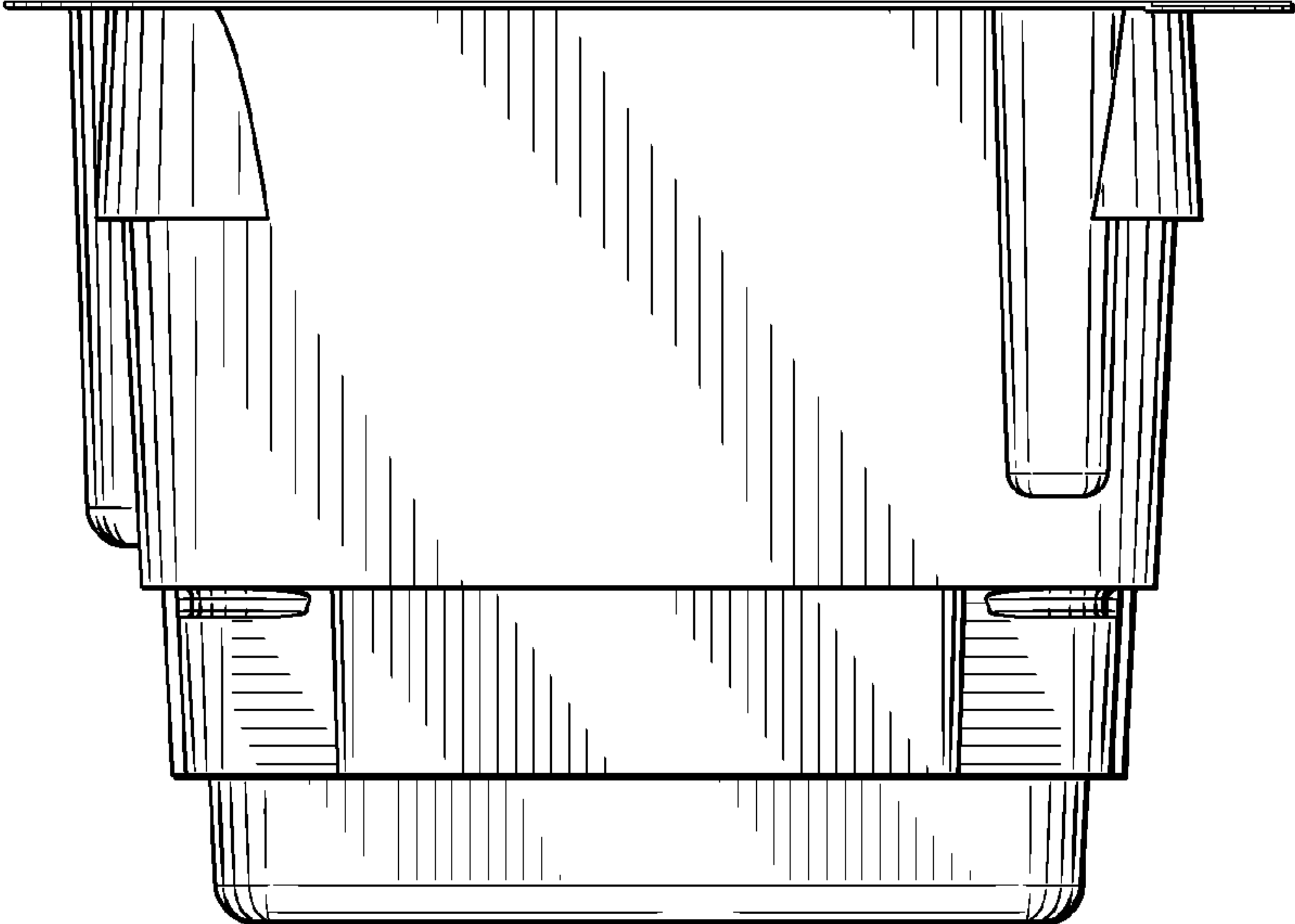


FIG. 5

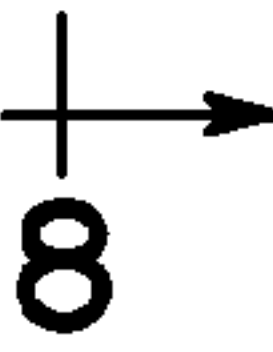
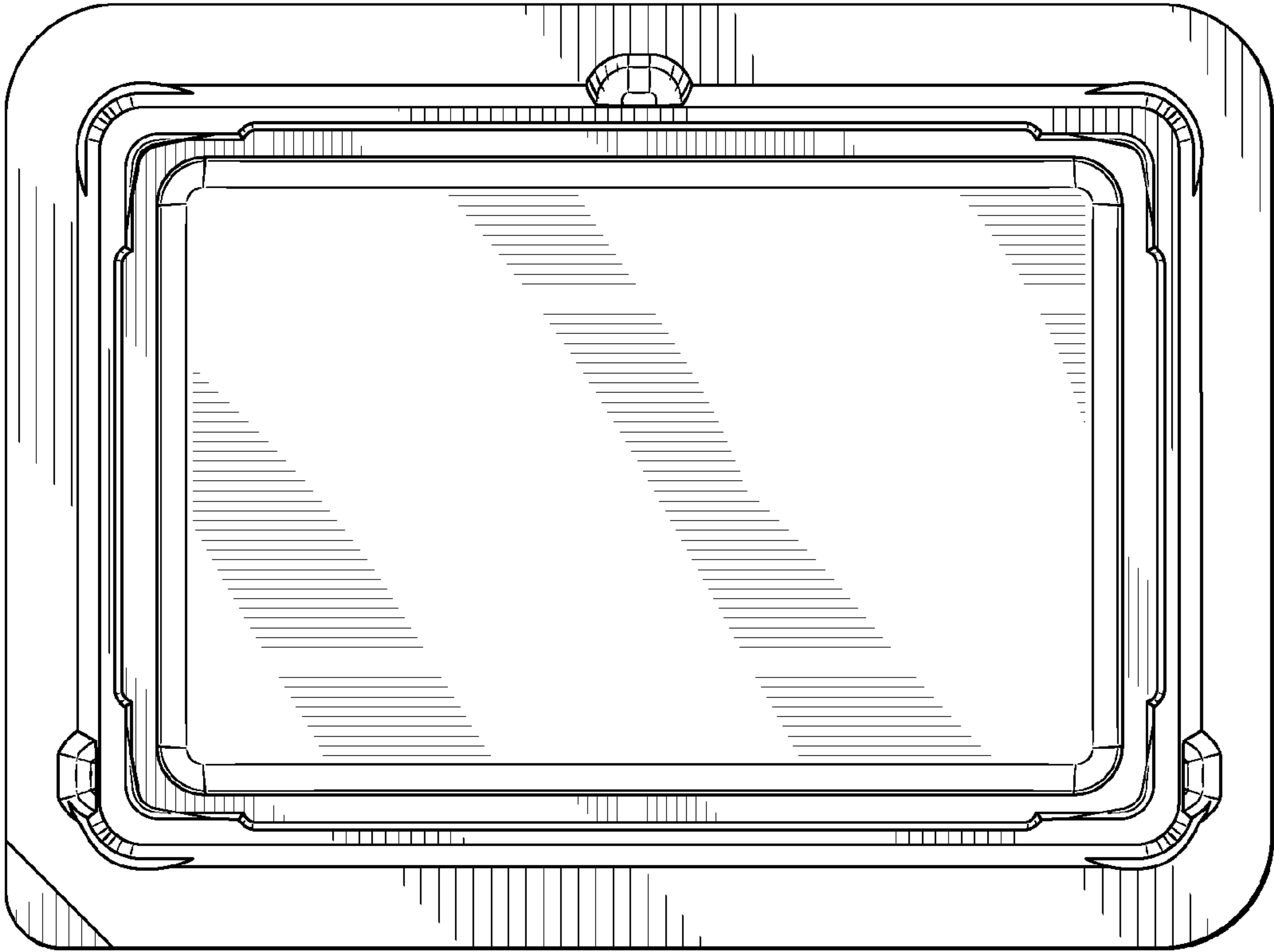
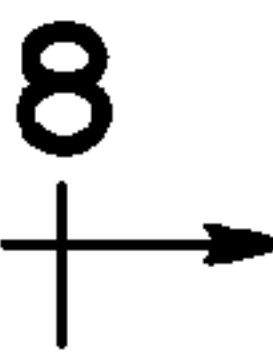


FIG. 6

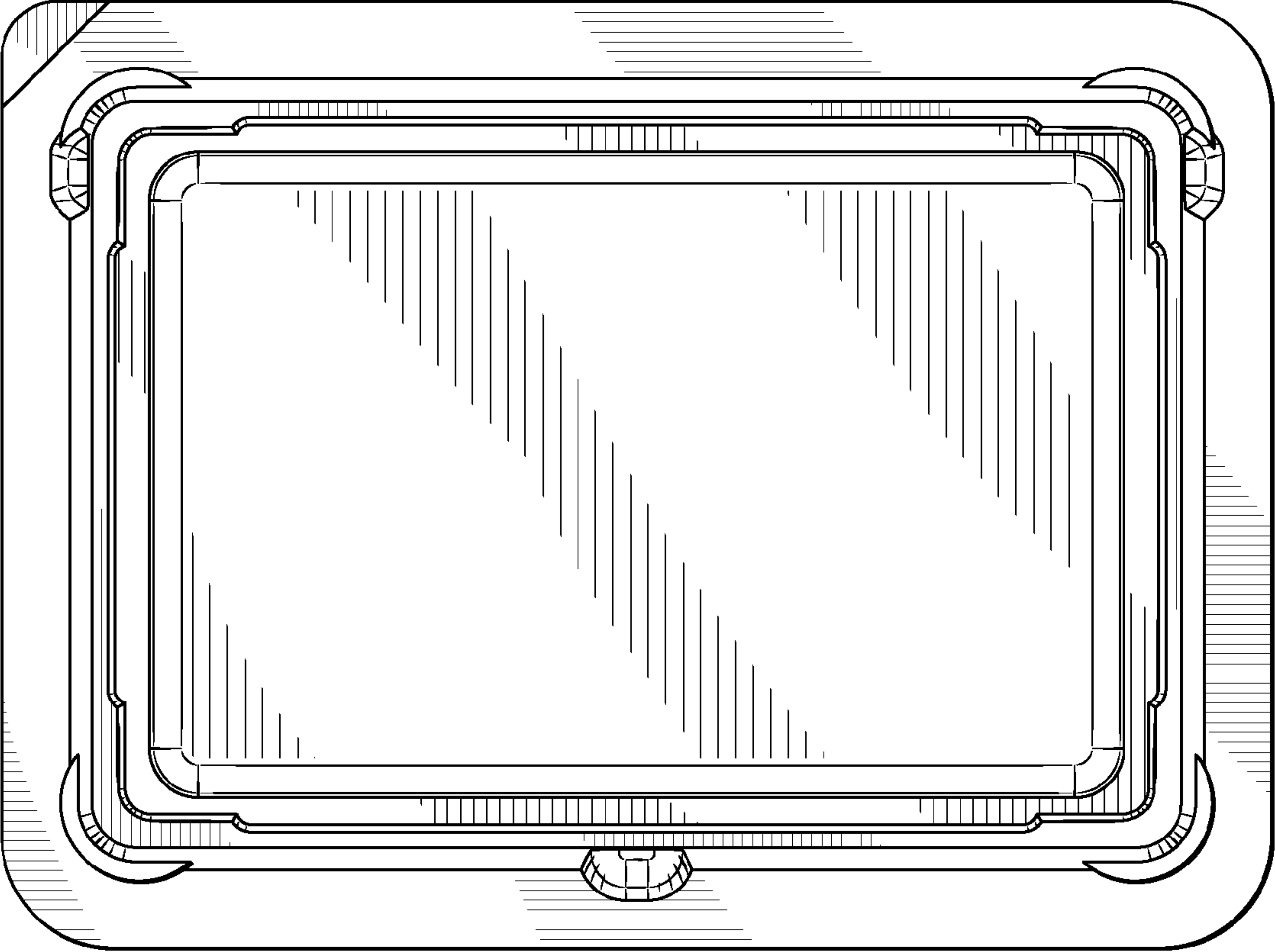


FIG. 7

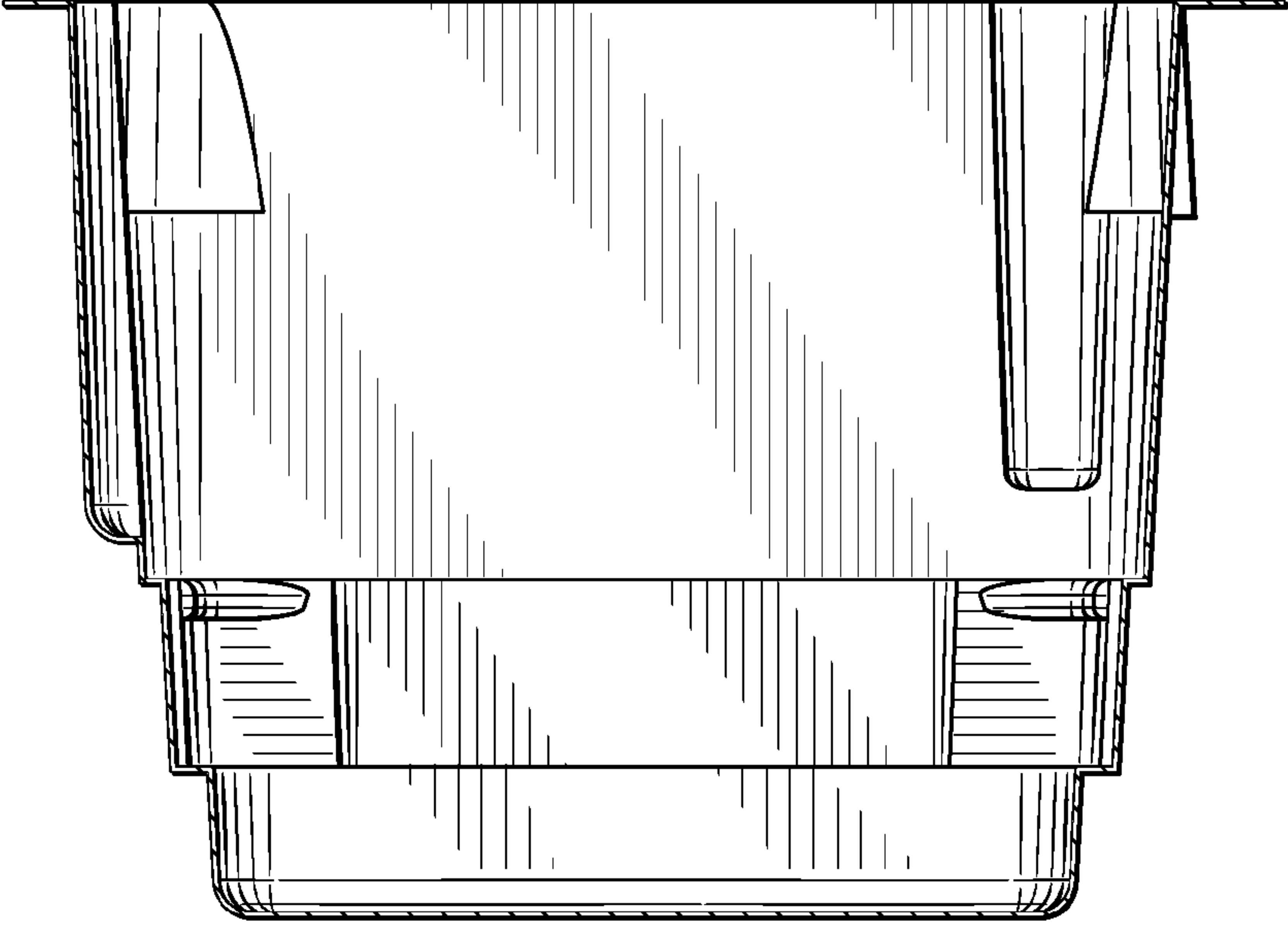


FIG. 8

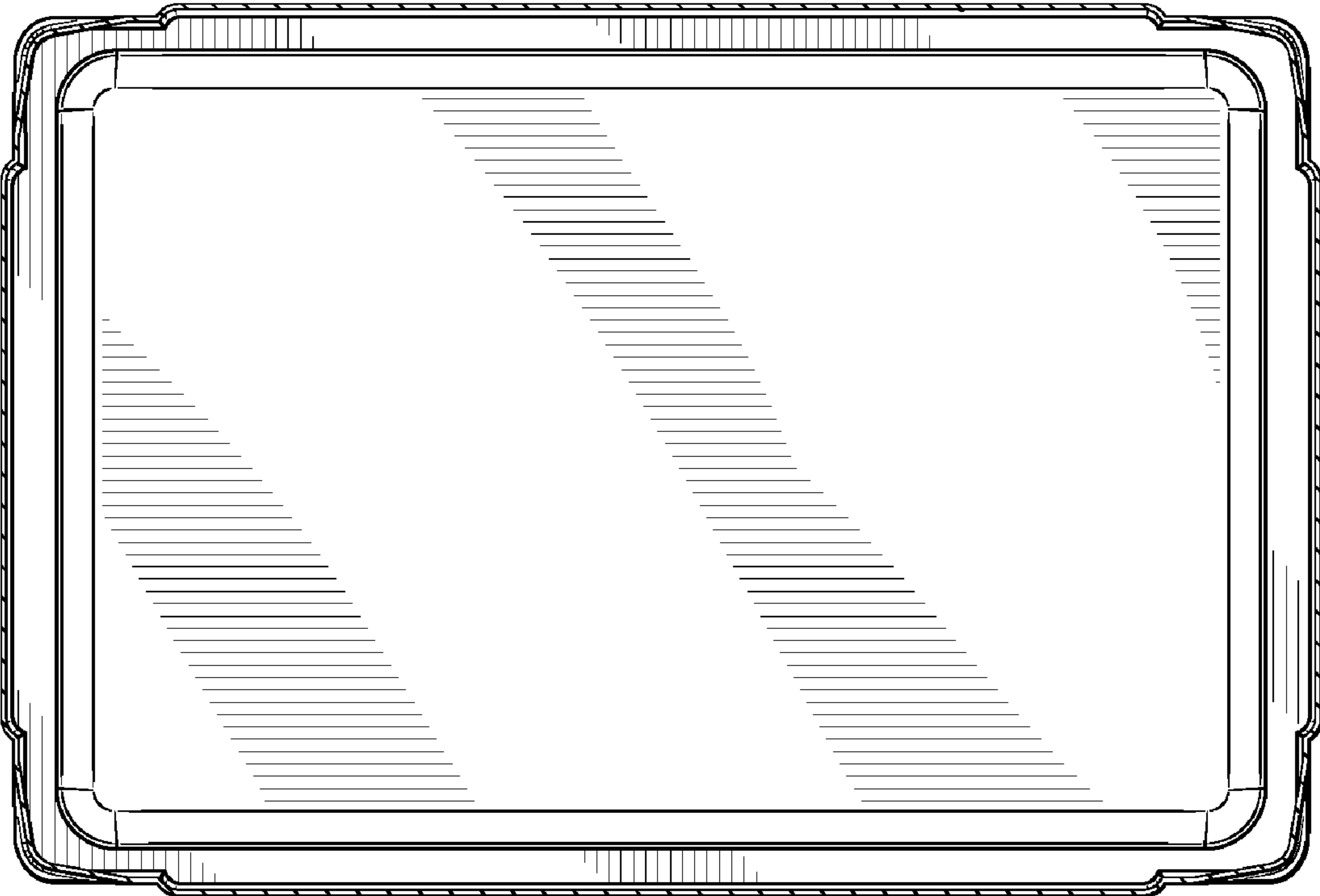


FIG. 9

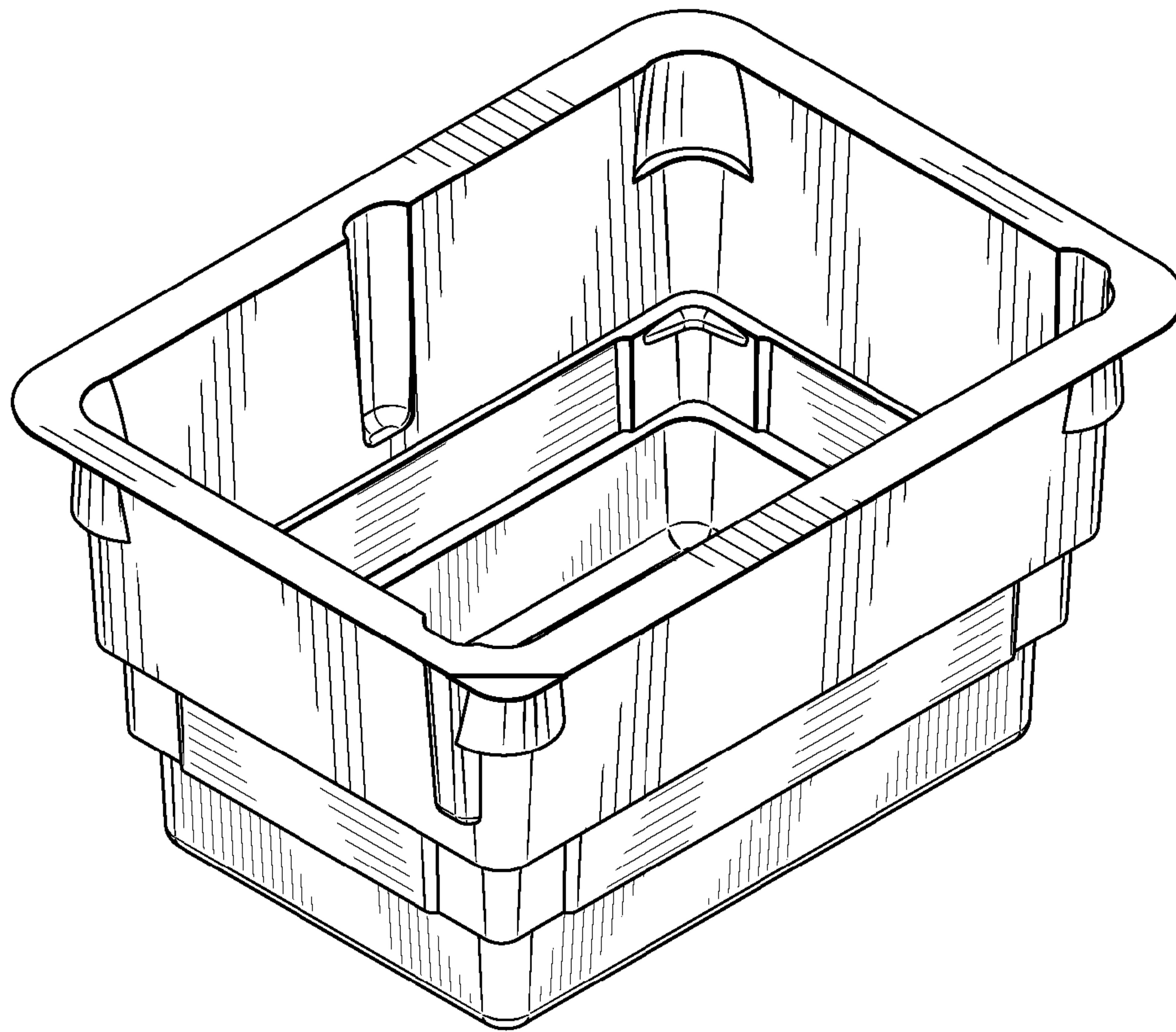


FIG. 10

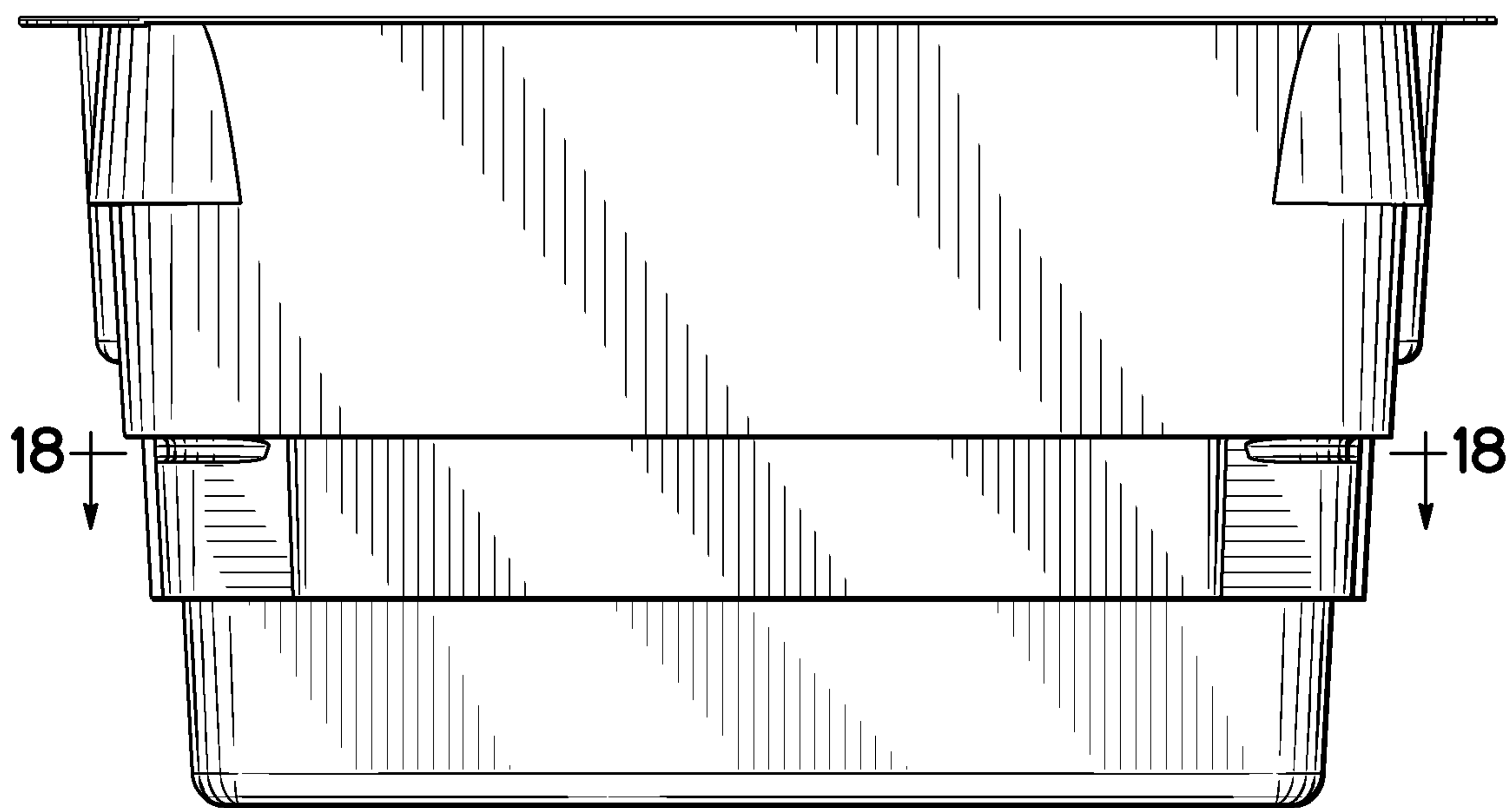


FIG. 11

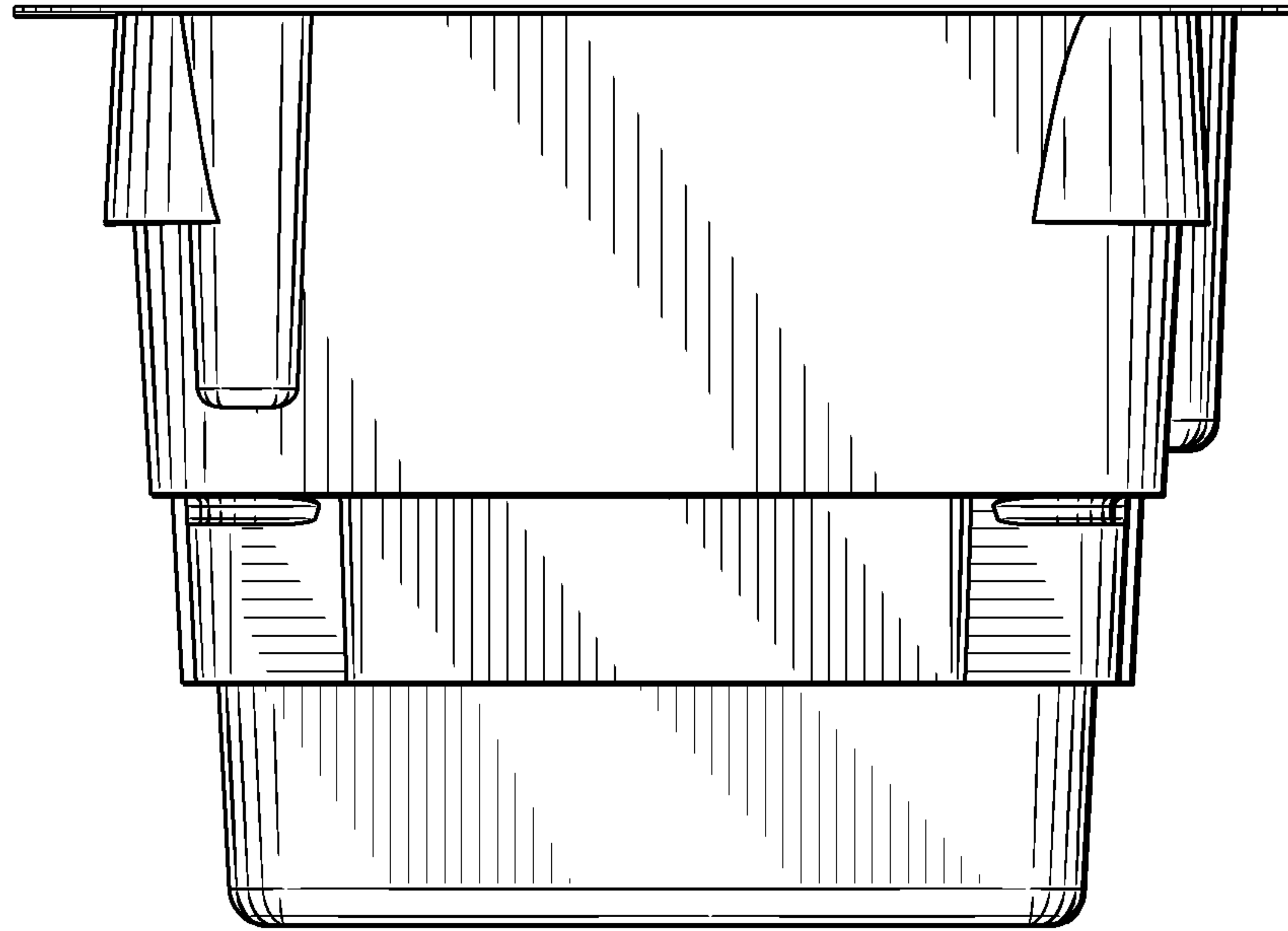


FIG. 12

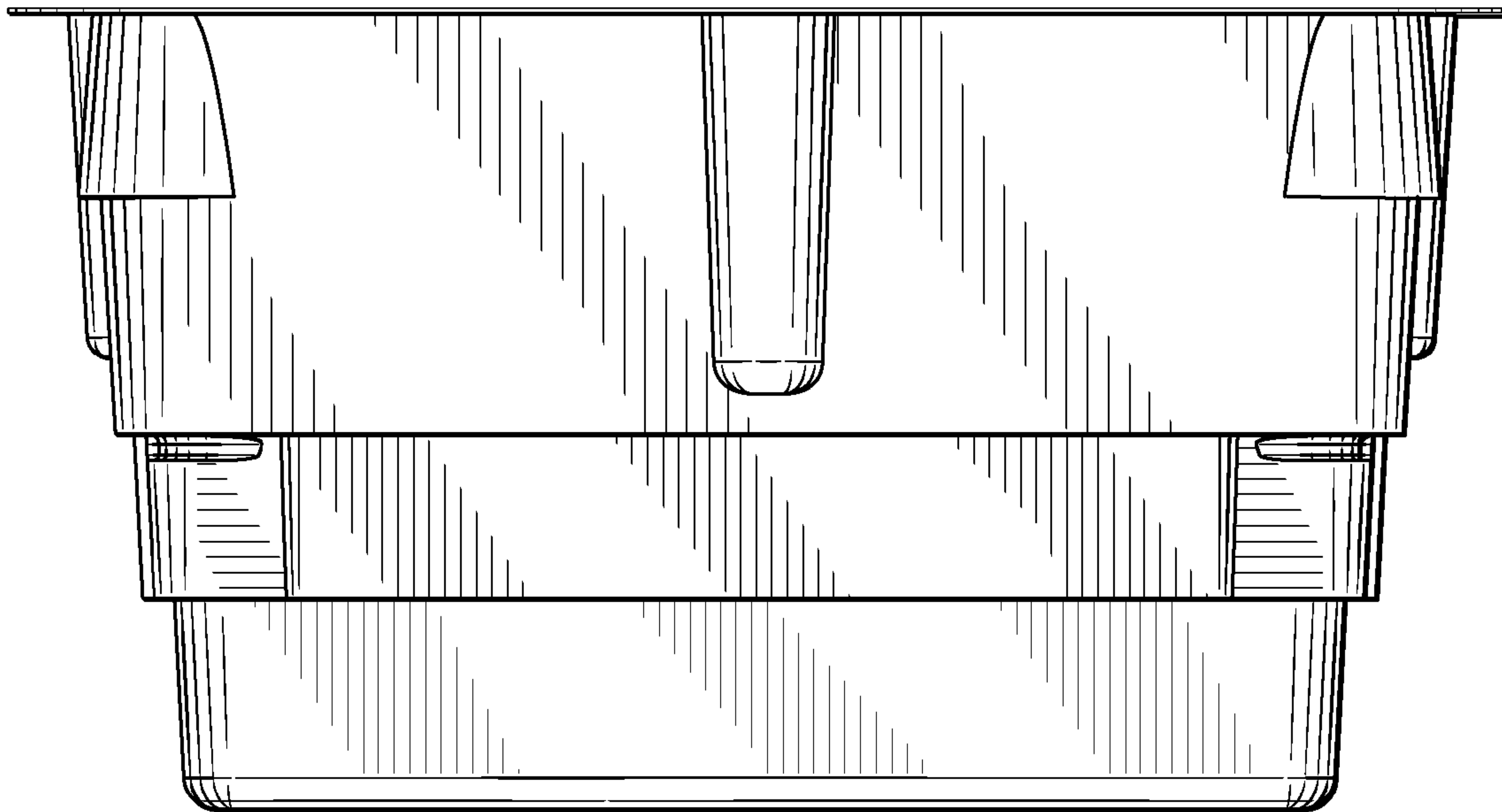


FIG. 13

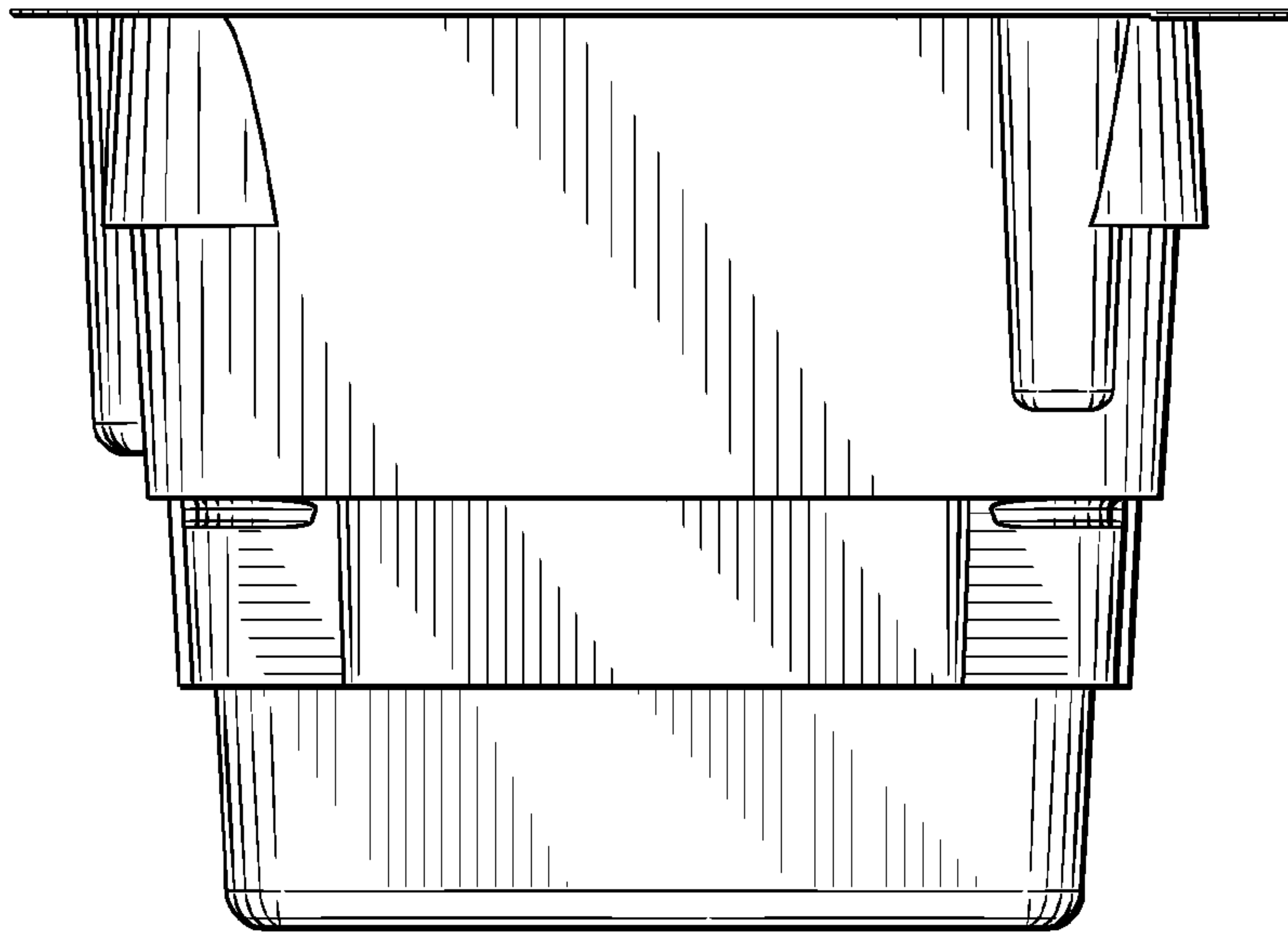
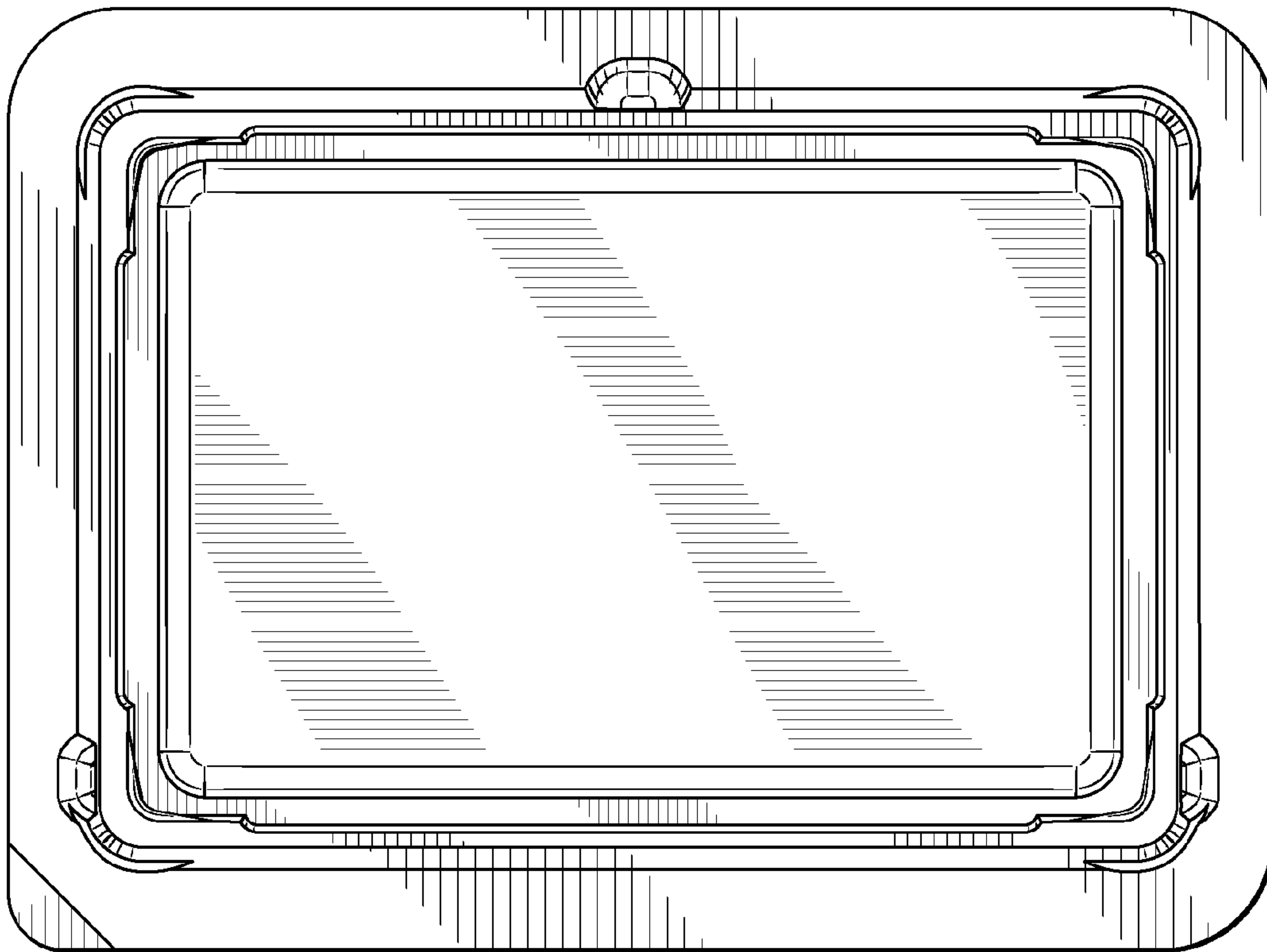


FIG. 14

17
→



17
→
FIG. 15

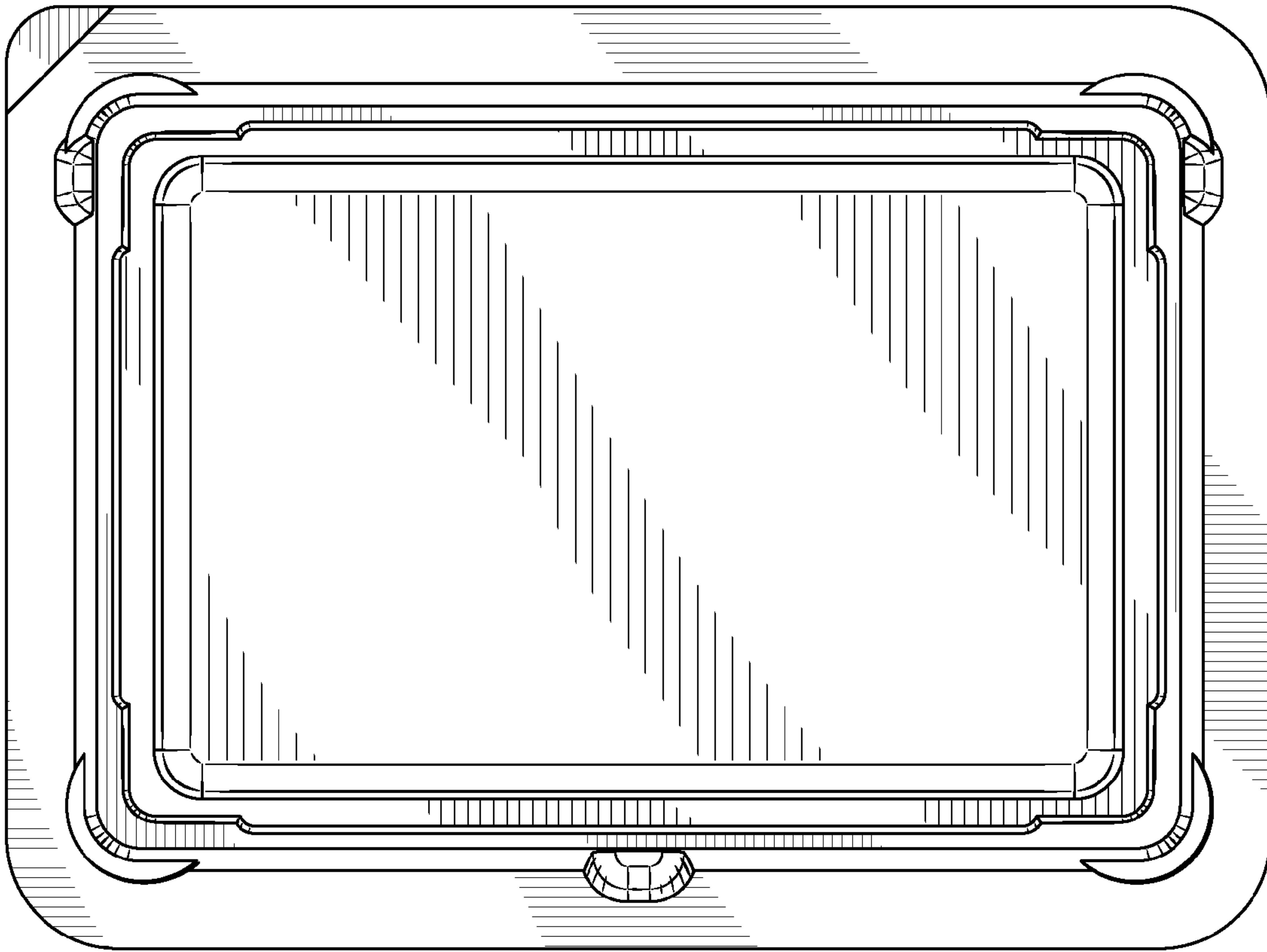


FIG. 16

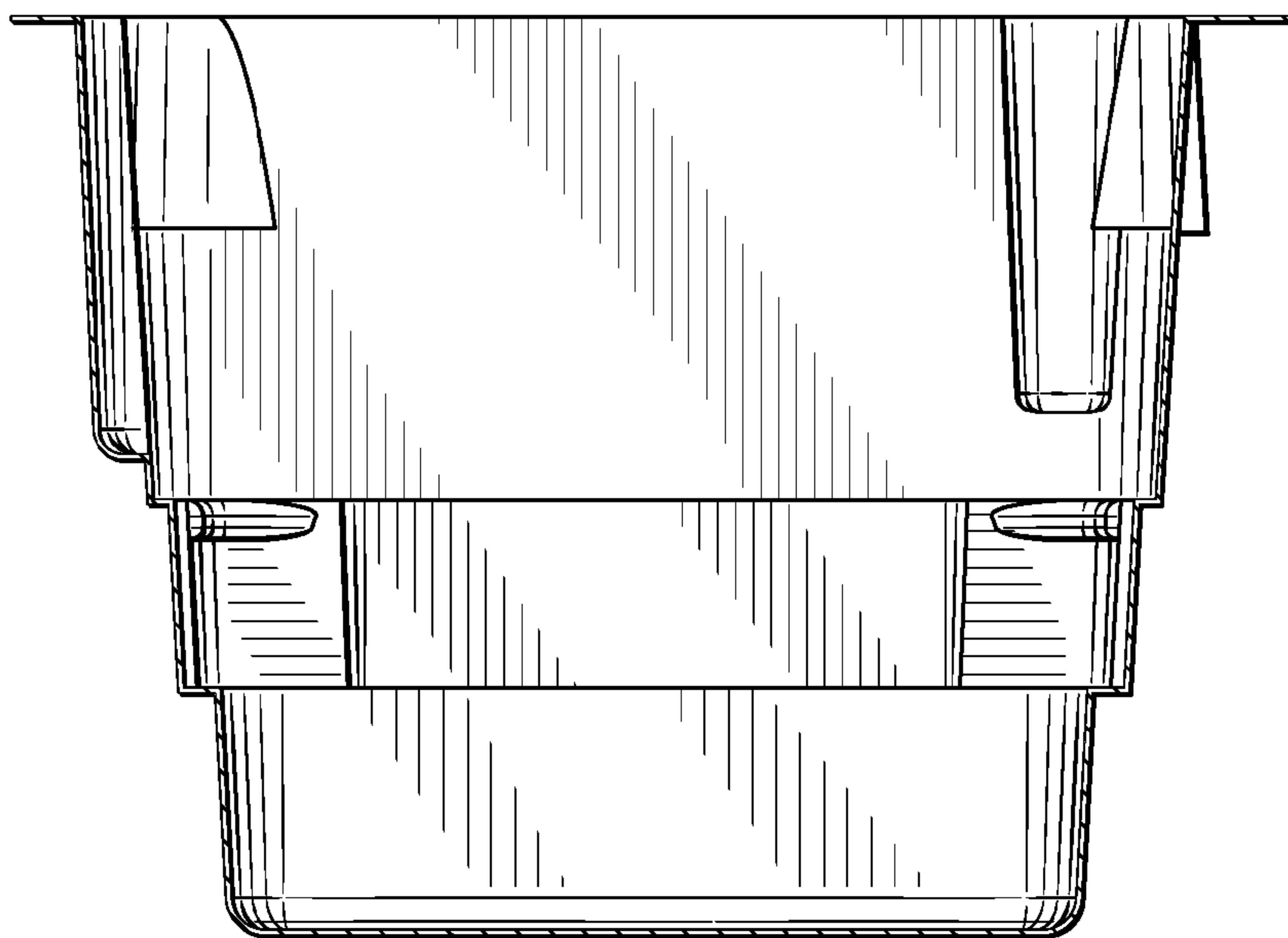


FIG. 17

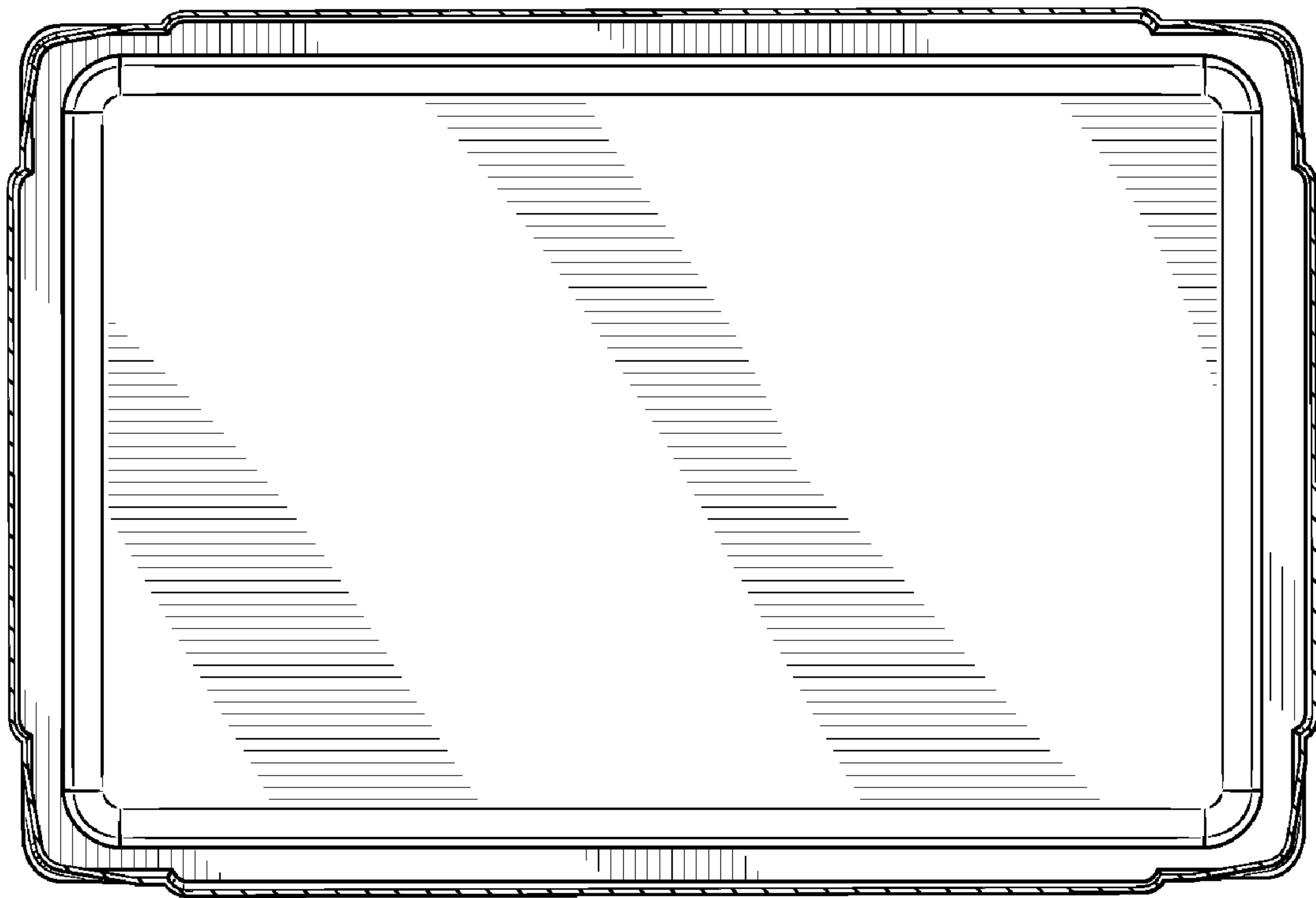


FIG. 18

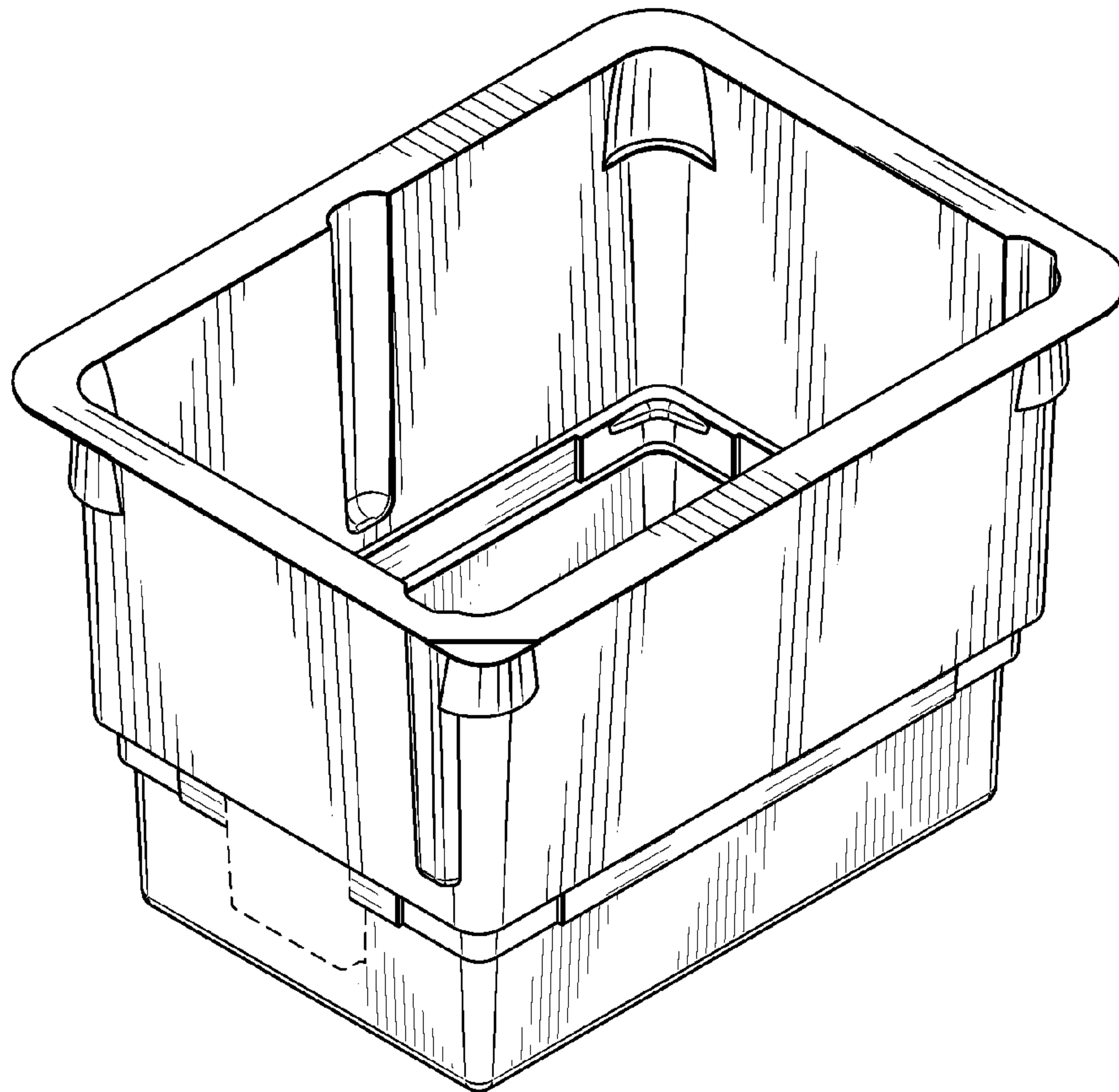


FIG. 19

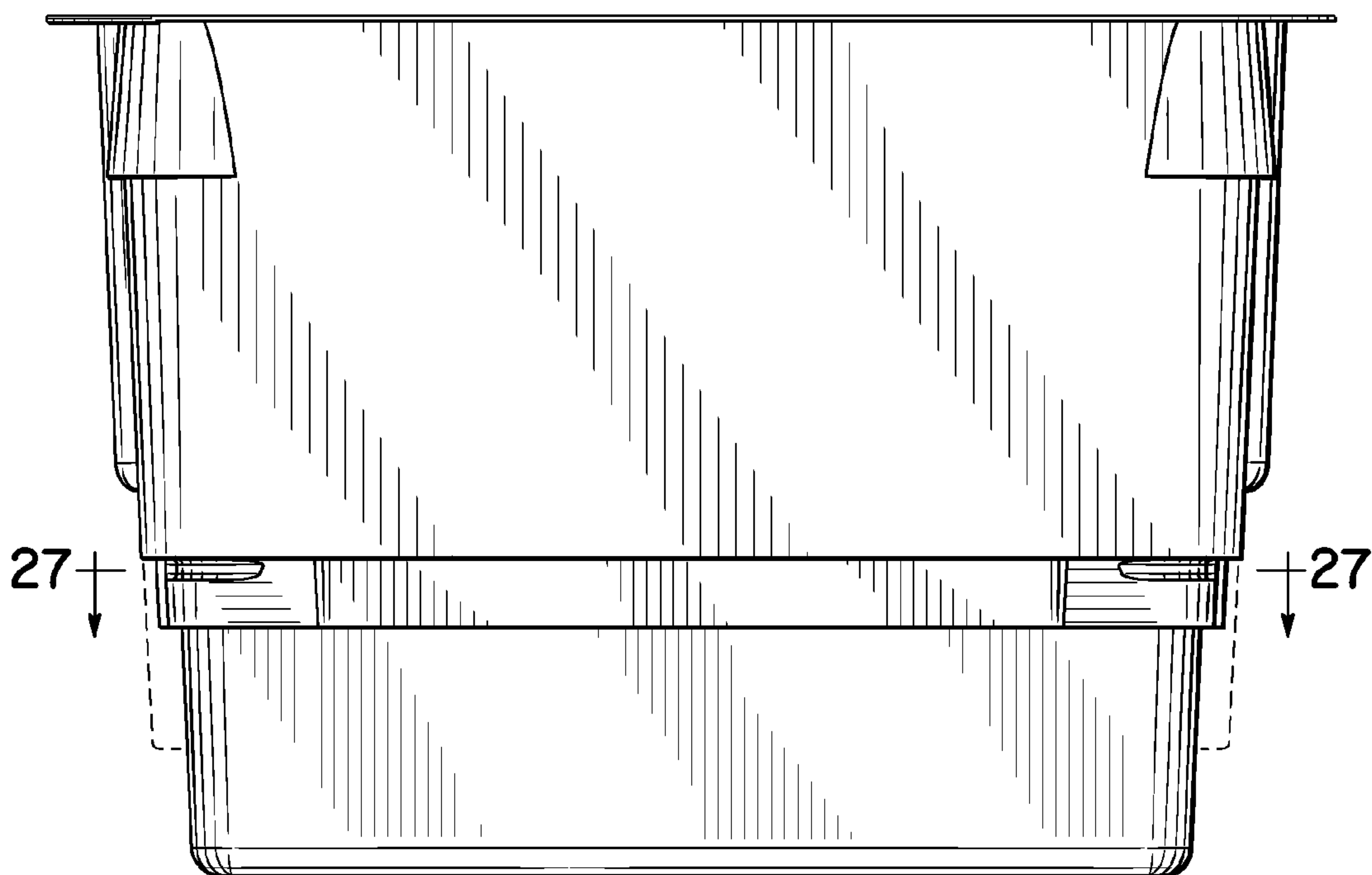


FIG. 20

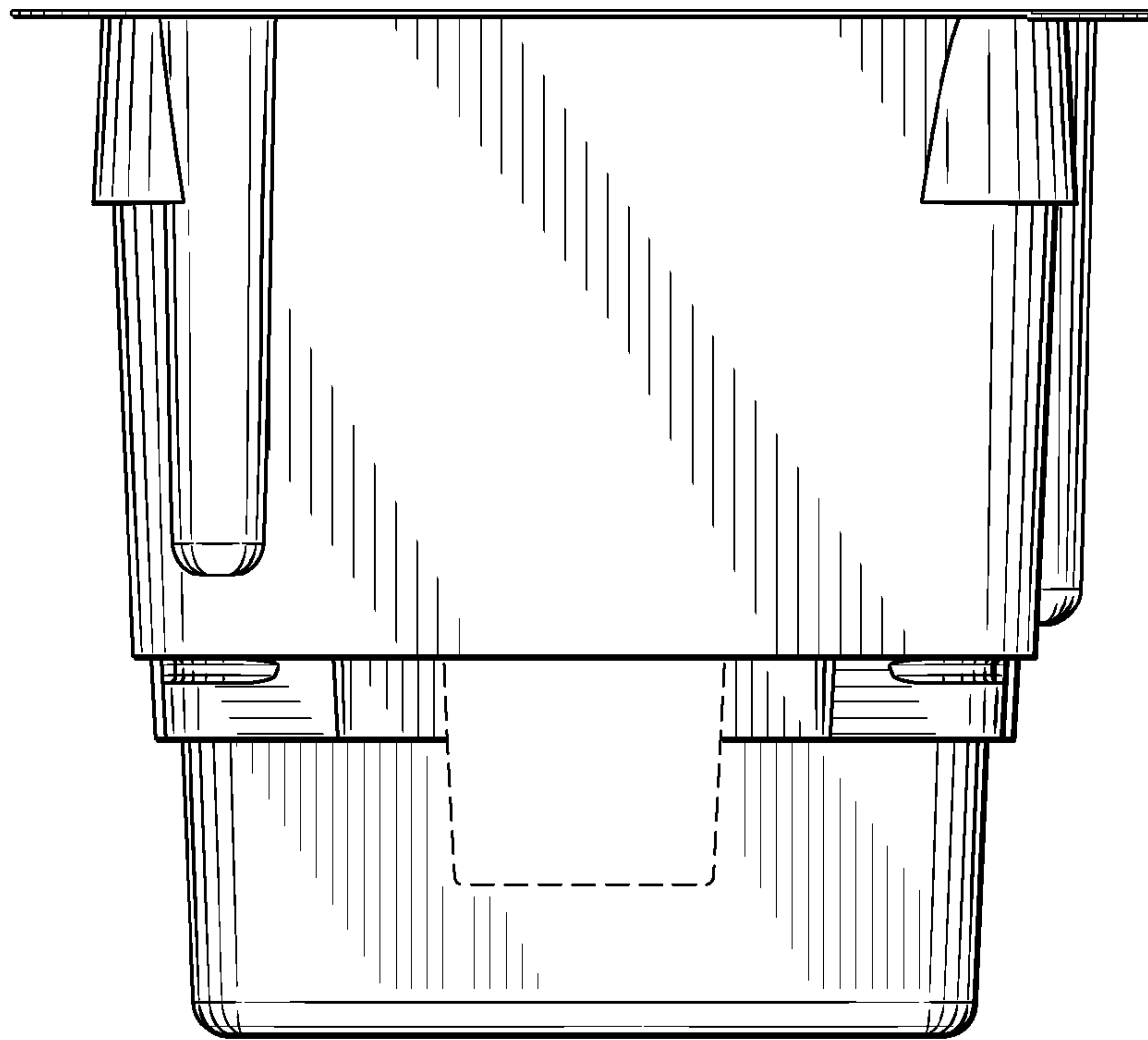


FIG. 21

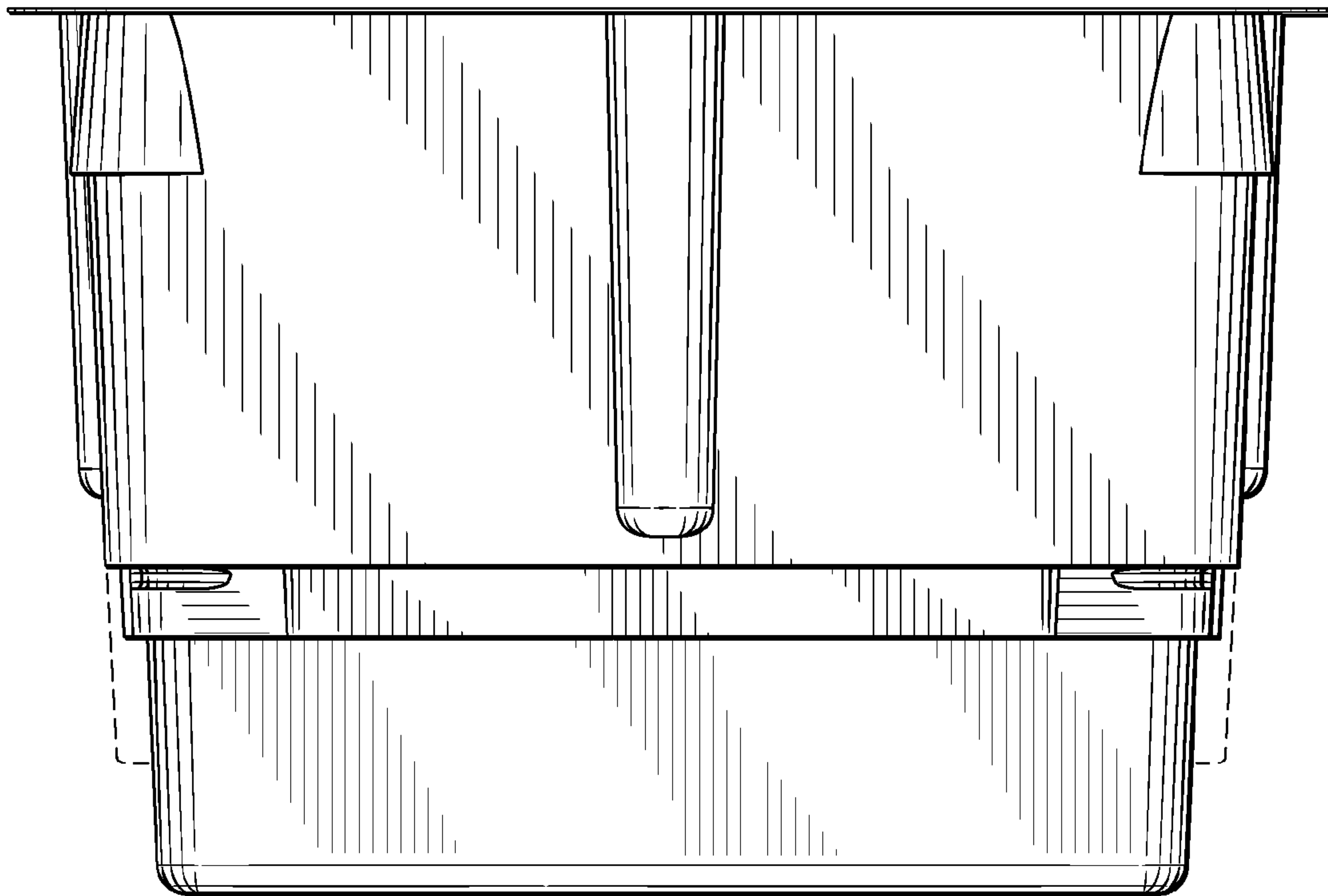


FIG. 22

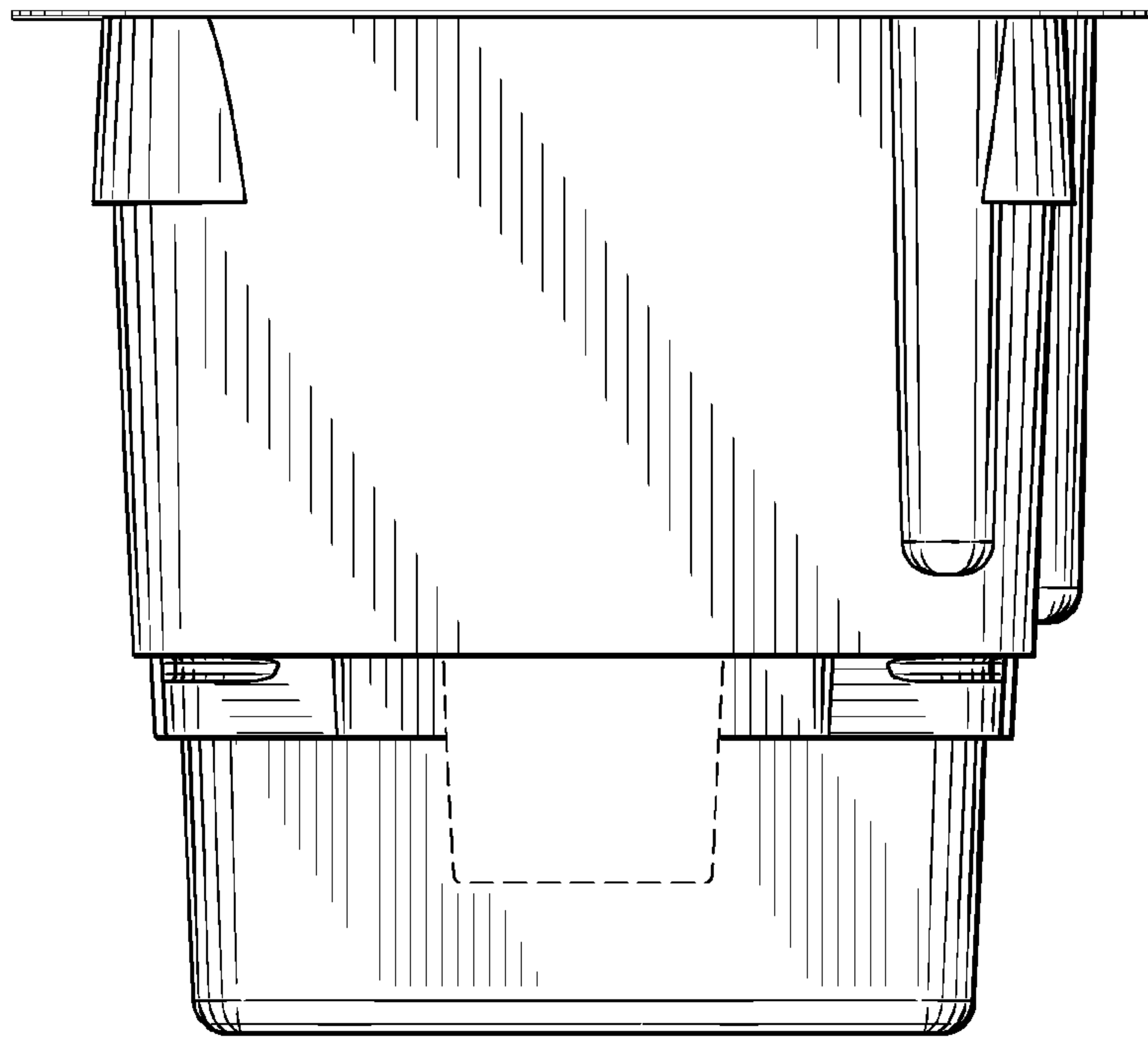
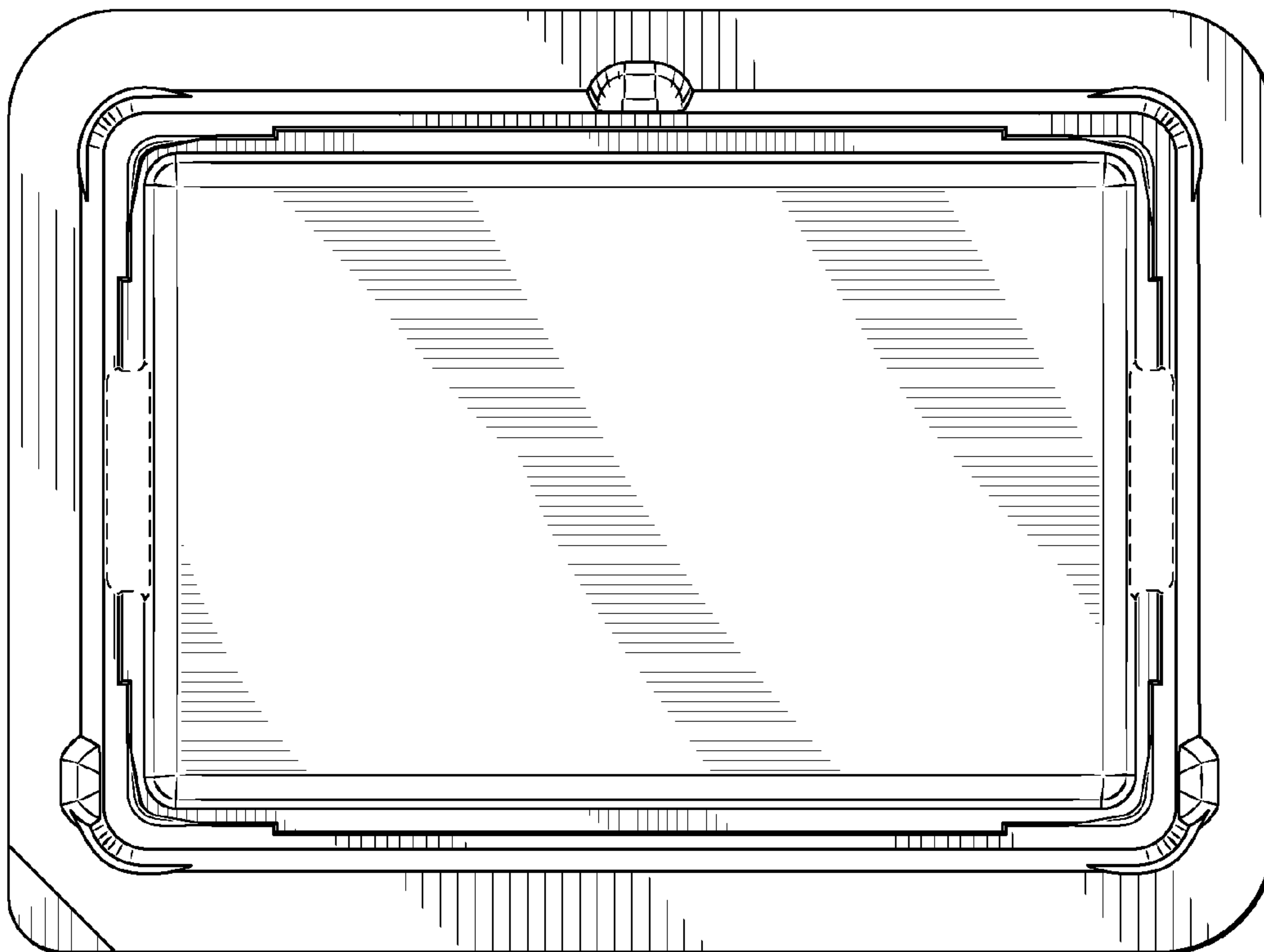
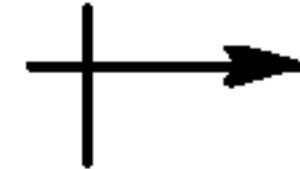


FIG. 23

26



26

FIG. 24

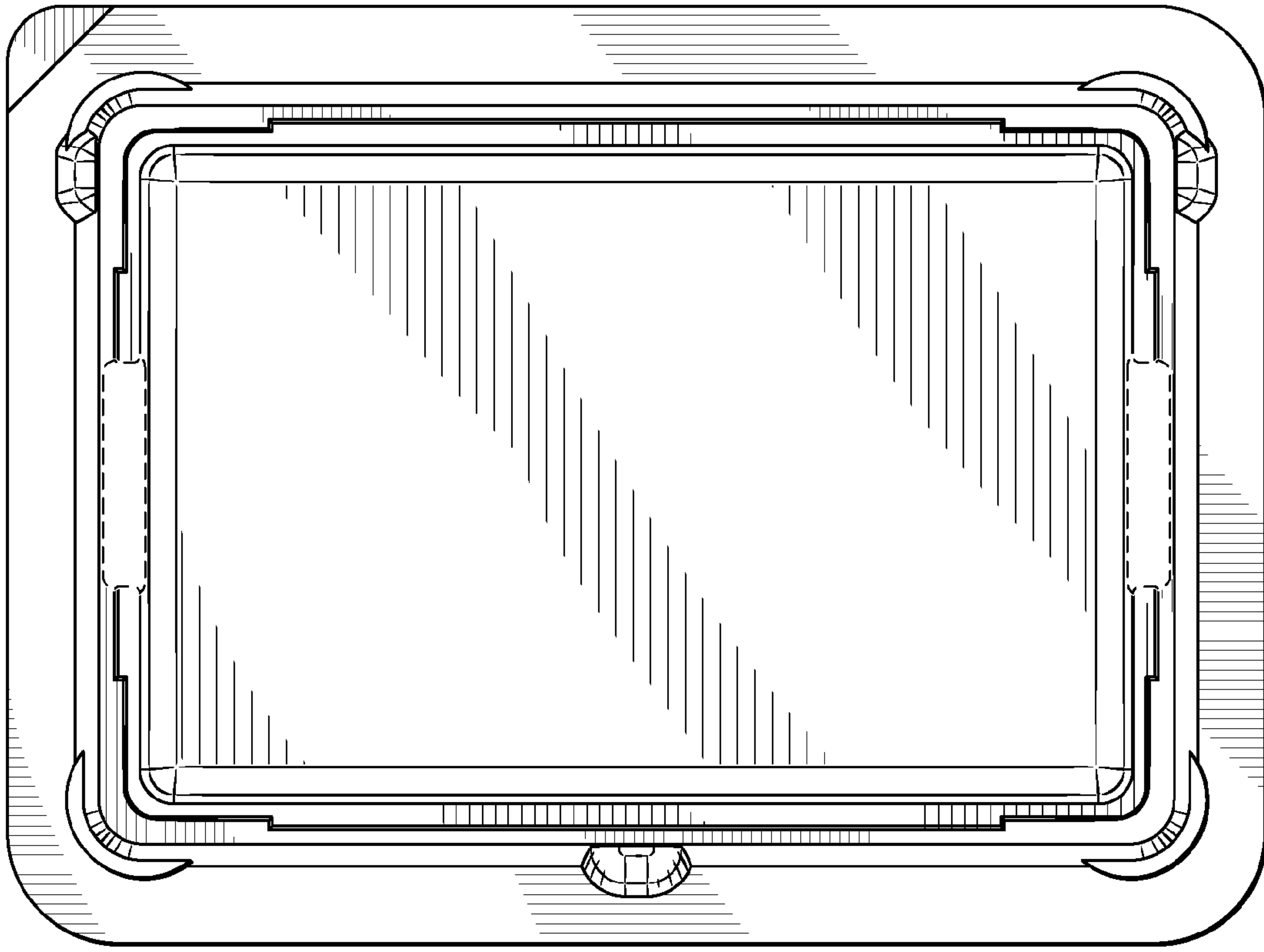


FIG. 25

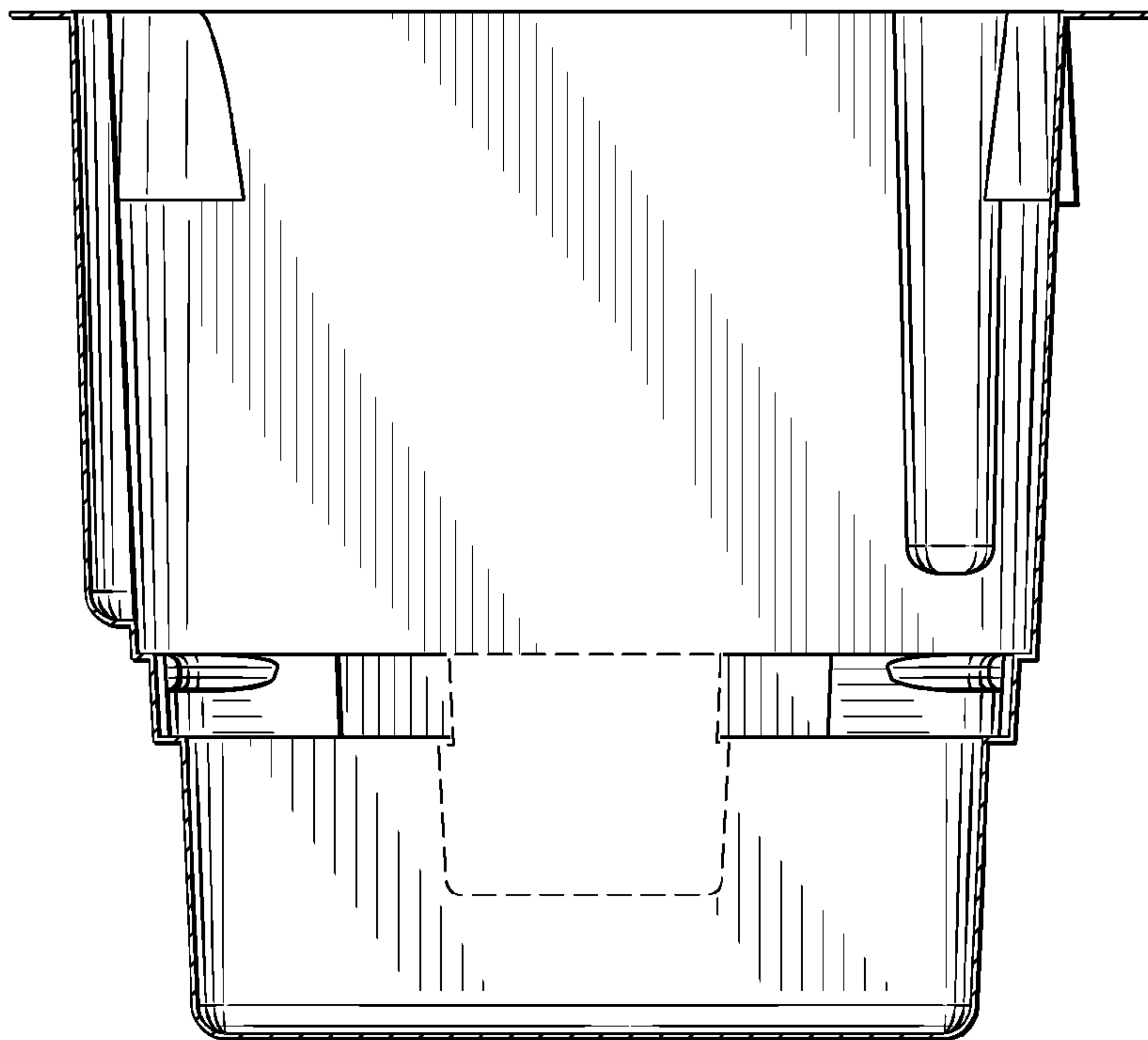


FIG. 26

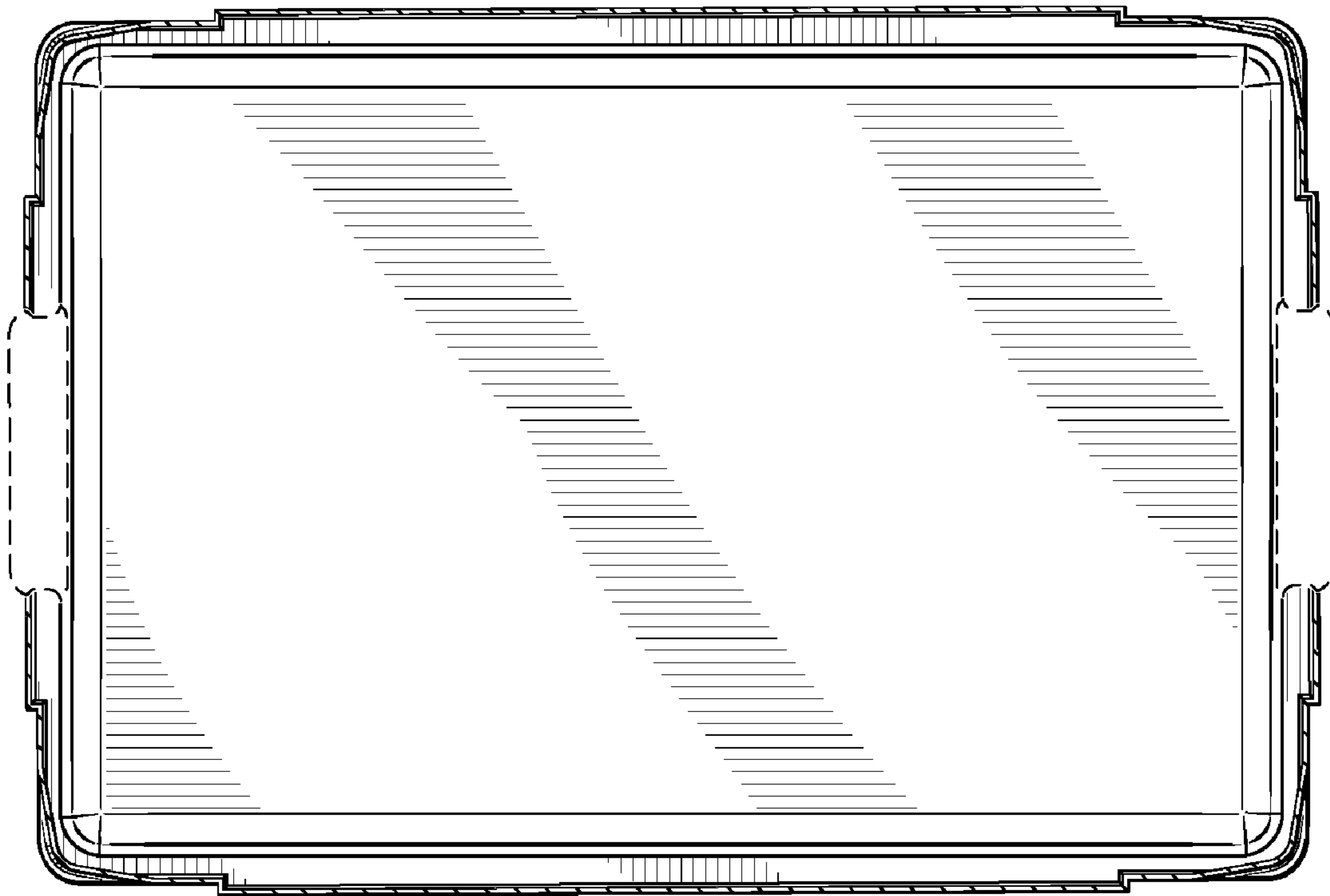


FIG. 27