



US00D627219S

(12) **United States Design Patent**  
**Golota et al.**

(10) **Patent No.:** **US D627,219 S**

(45) **Date of Patent:** **\*\* Nov. 16, 2010**

(54) **CONTAINER AND LID**

(75) Inventors: **George A. Golota**, Glenview, IL (US);  
**Michael A. Drozek**, Palatine, IL (US);  
**Javier Soria**, Northlake, IL (US); **John E. Sanfilippo**, Barrington Hills, IL (US)

(73) Assignee: **Clear Lam Packaging, Inc.**, Elk Grove Village, IL (US)

(\*\*) Term: **14 Years**

(21) Appl. No.: **29/360,569**

(22) Filed: **Apr. 28, 2010**

(51) **LOC (9) Cl.** ..... **09-03**

(52) **U.S. Cl.** ..... **D9/424; D9/425**

(58) **Field of Classification Search** ..... D9/424,  
D9/414, 419, 425, 426, 429, 430, 432, 761;  
D7/550.1, 554.1, 560, 601, 602, 605, 629;  
206/1.5, 505, 508, 521, 822; 220/380, 643,  
220/645, 671, 675; 229/406, 407

See application file for complete search history.

(56) **References Cited**

**U.S. PATENT DOCUMENTS**

3,447,714 A \* 6/1969 Elliot ..... 206/1.5  
D317,569 S \* 6/1991 Lane, Sr. .... D9/425  
D428,310 S \* 7/2000 Zettle et al. .... D7/629  
D445,649 S \* 7/2001 Maxwell et al. .... D7/629

6,499,595 B1 \* 12/2002 Petricca ..... 206/356  
D489,975 S \* 5/2004 Jackson et al. .... D9/425  
D505,840 S \* 6/2005 Schultz et al. .... D7/629  
D529,798 S \* 10/2006 Snedden et al. .... D9/432  
D588,451 S \* 3/2009 Snedden et al. .... D9/425

\* cited by examiner

*Primary Examiner*—Prabhakar Deshmukh  
*Assistant Examiner*—Derrick Holland

(57) **CLAIM**

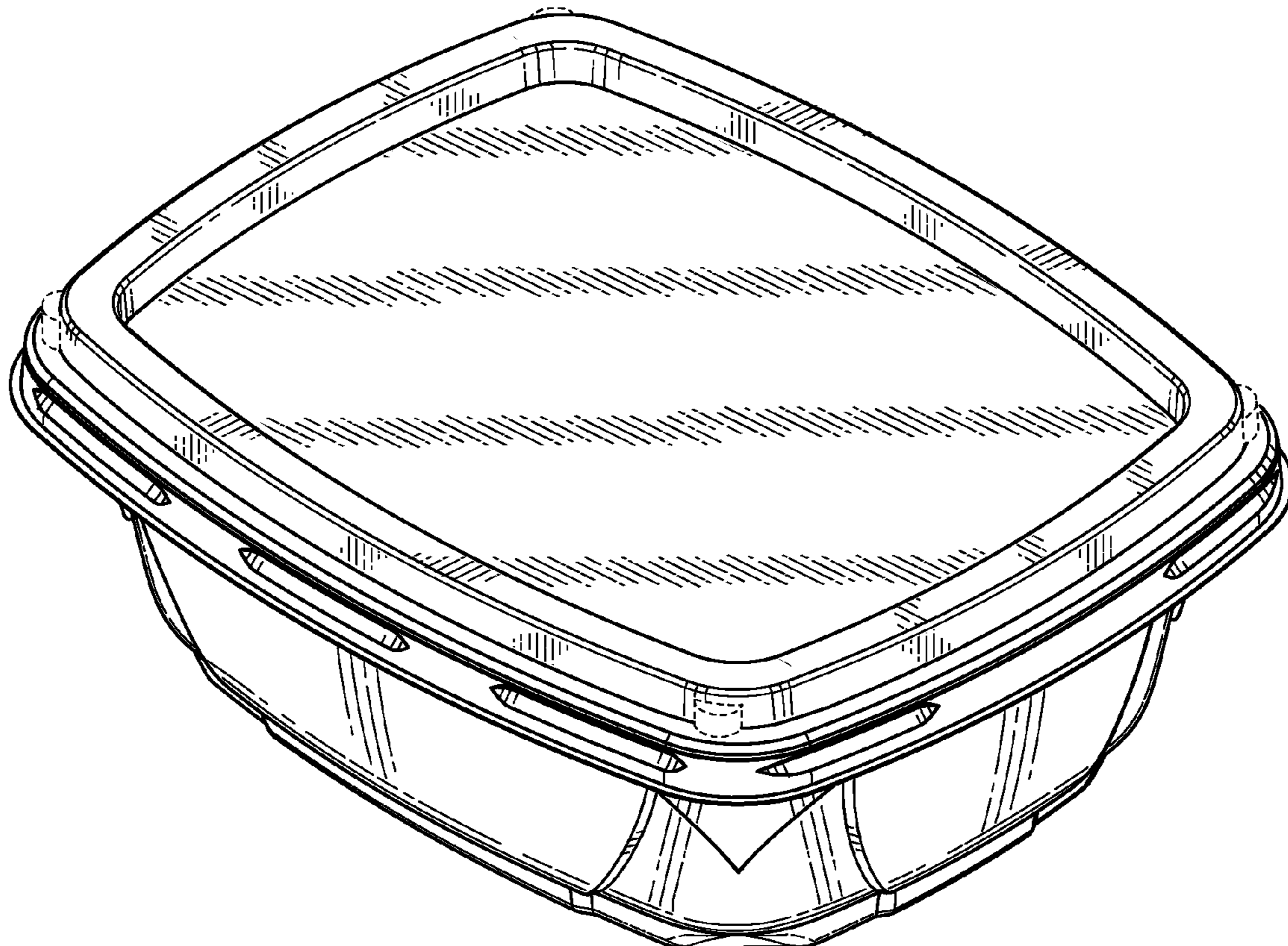
The ornamental design for a container and lid, as shown and described.

**DESCRIPTION**

FIG. 1 is a top perspective view of the container and lid;  
FIG. 2 is a bottom perspective view of the container and lid;  
FIG. 3 is a bottom view of the container and lid;  
FIG. 4 is a top view of the container and lid;  
FIG. 5 is a left side view of the container and lid;  
FIG. 6 is a right side view of the container and lid;  
FIG. 7 is a front side view of the container and lid; and,  
FIG. 8 is a back side view of the container and lid.

The broken lines shown are for illustrative purposes only and form no part of the claimed design.

**1 Claim, 5 Drawing Sheets**



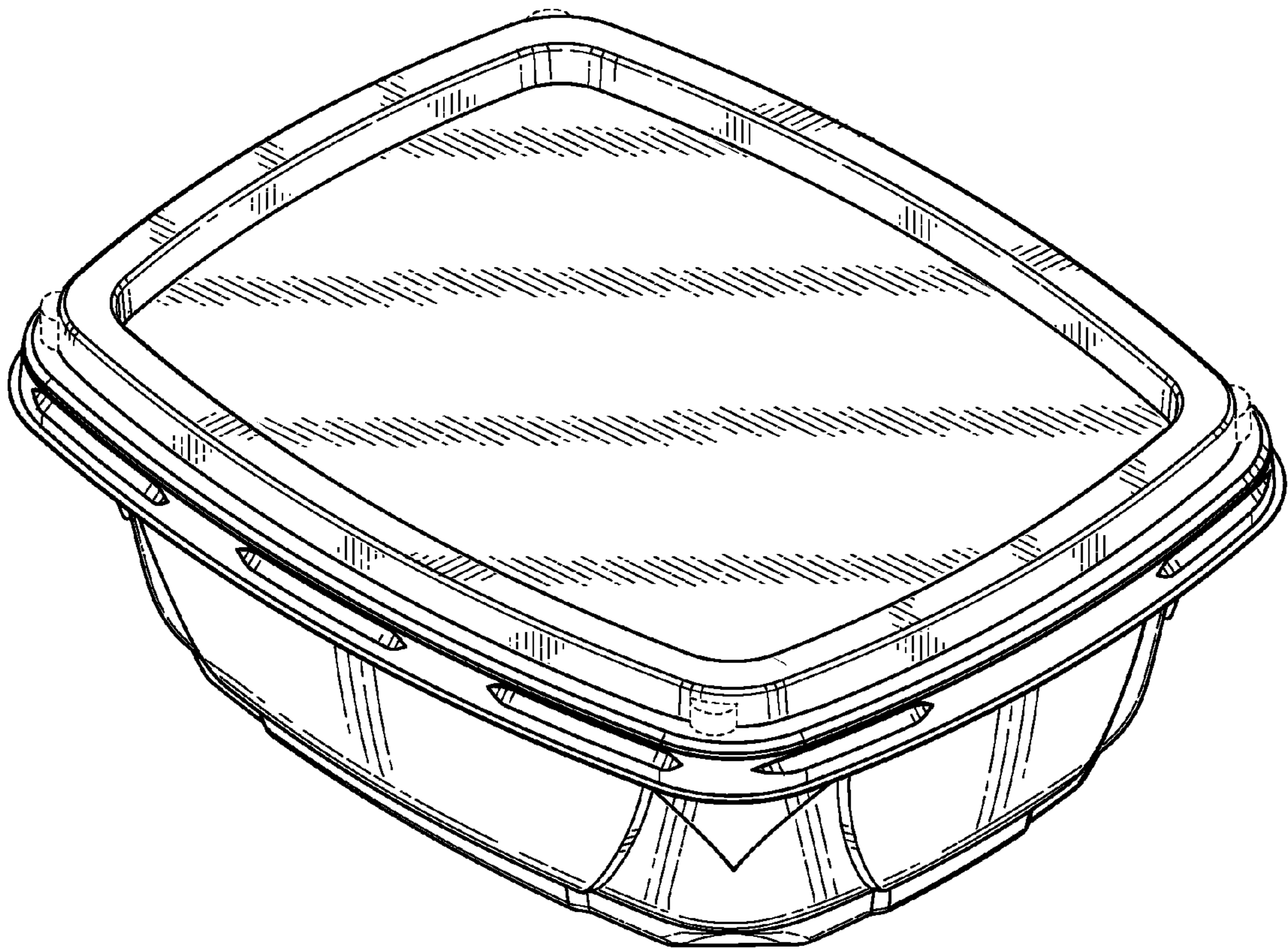


FIG. 1



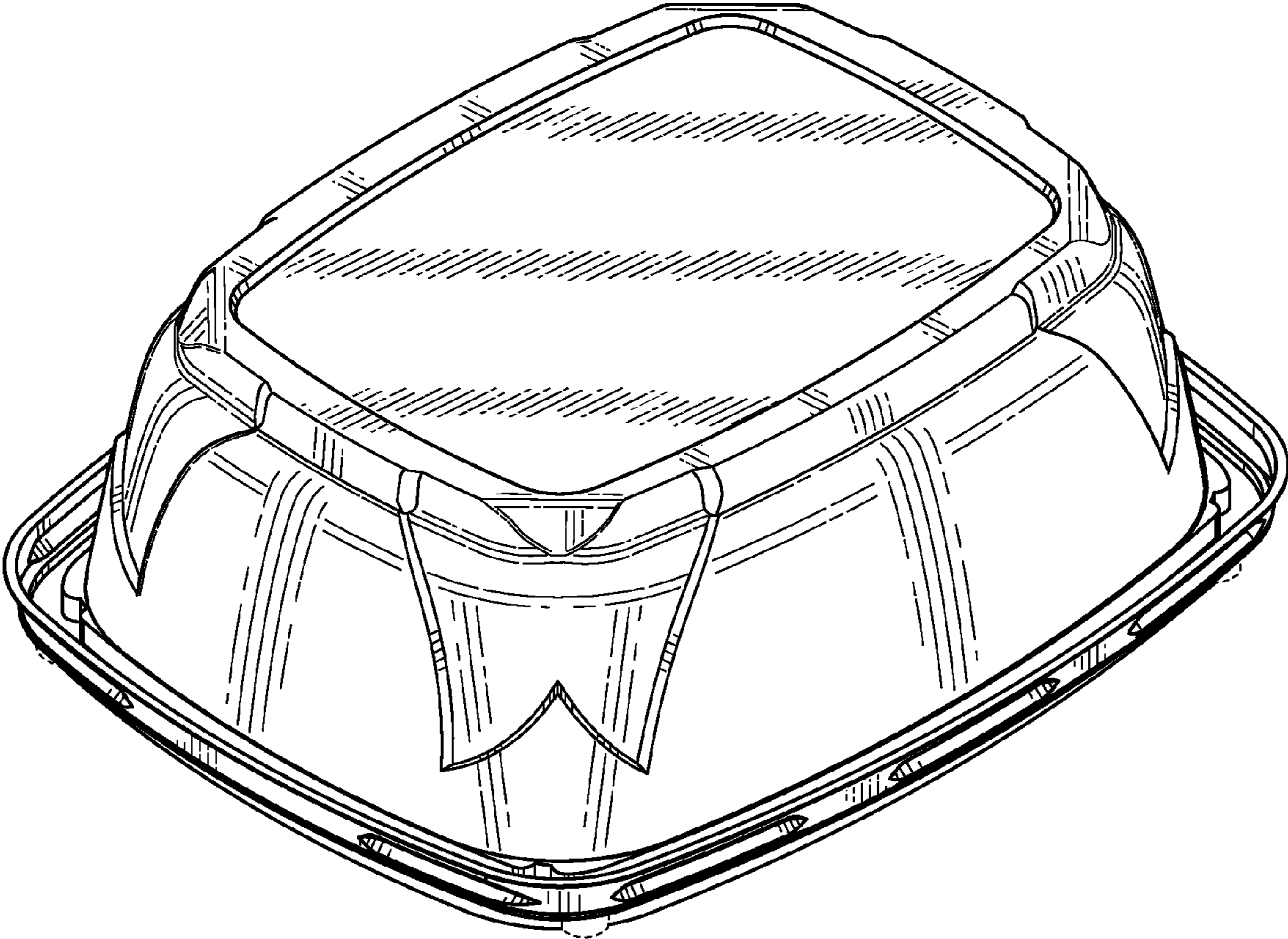


FIG. 2

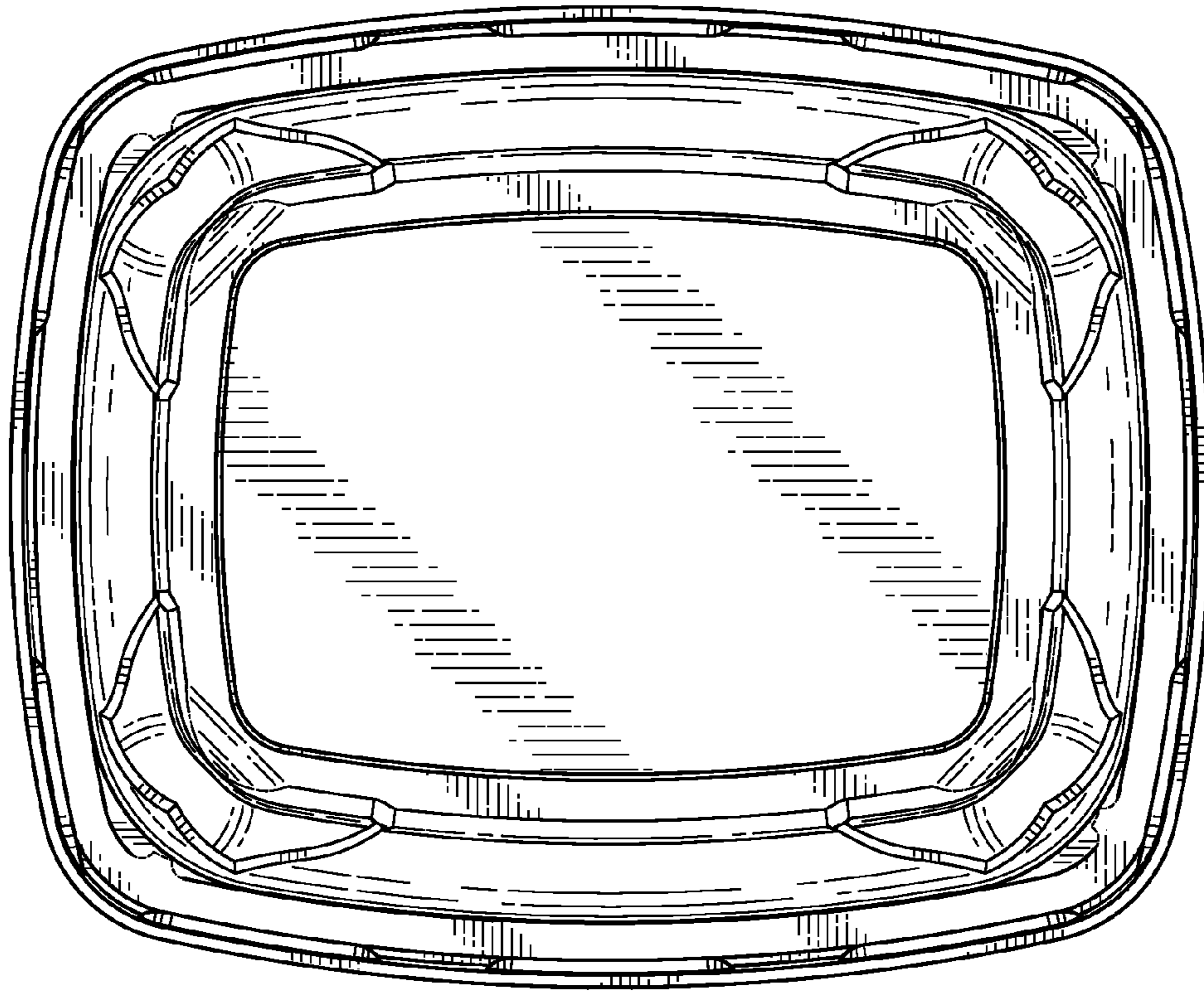


FIG. 3

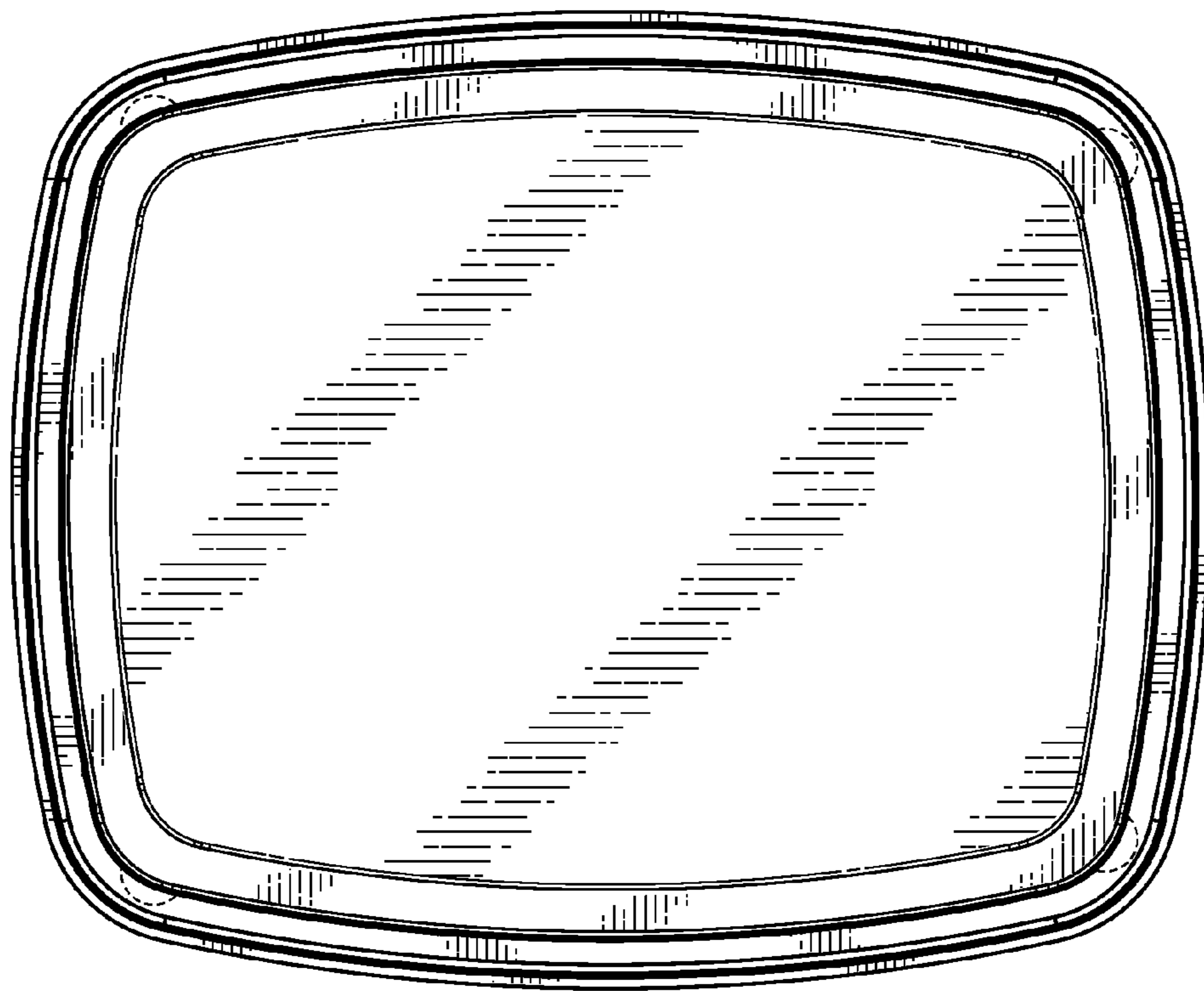


FIG. 4

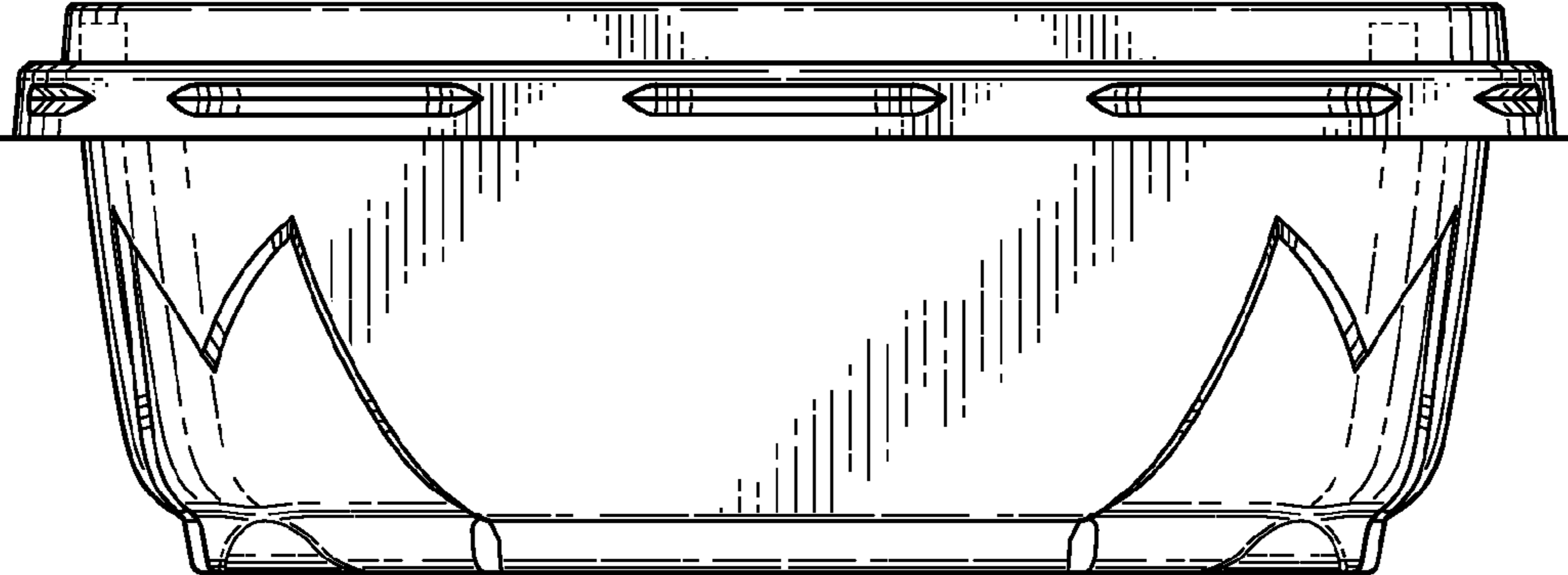


FIG. 5

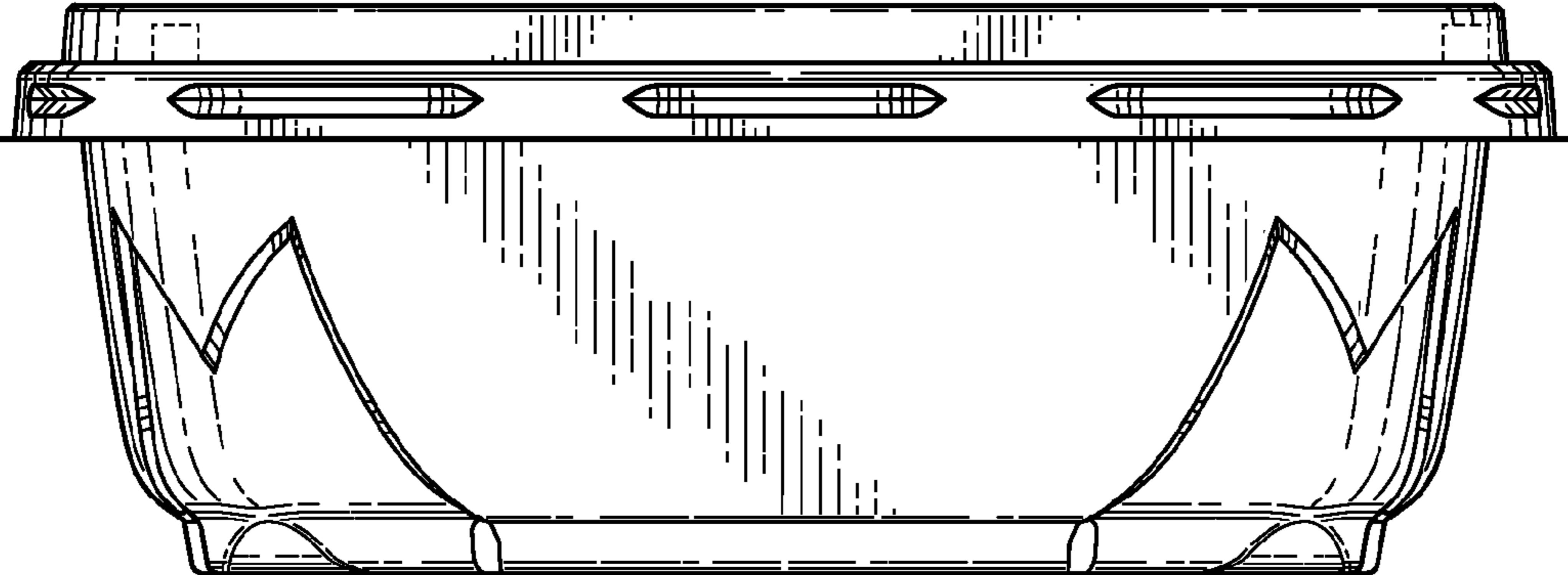


FIG. 6

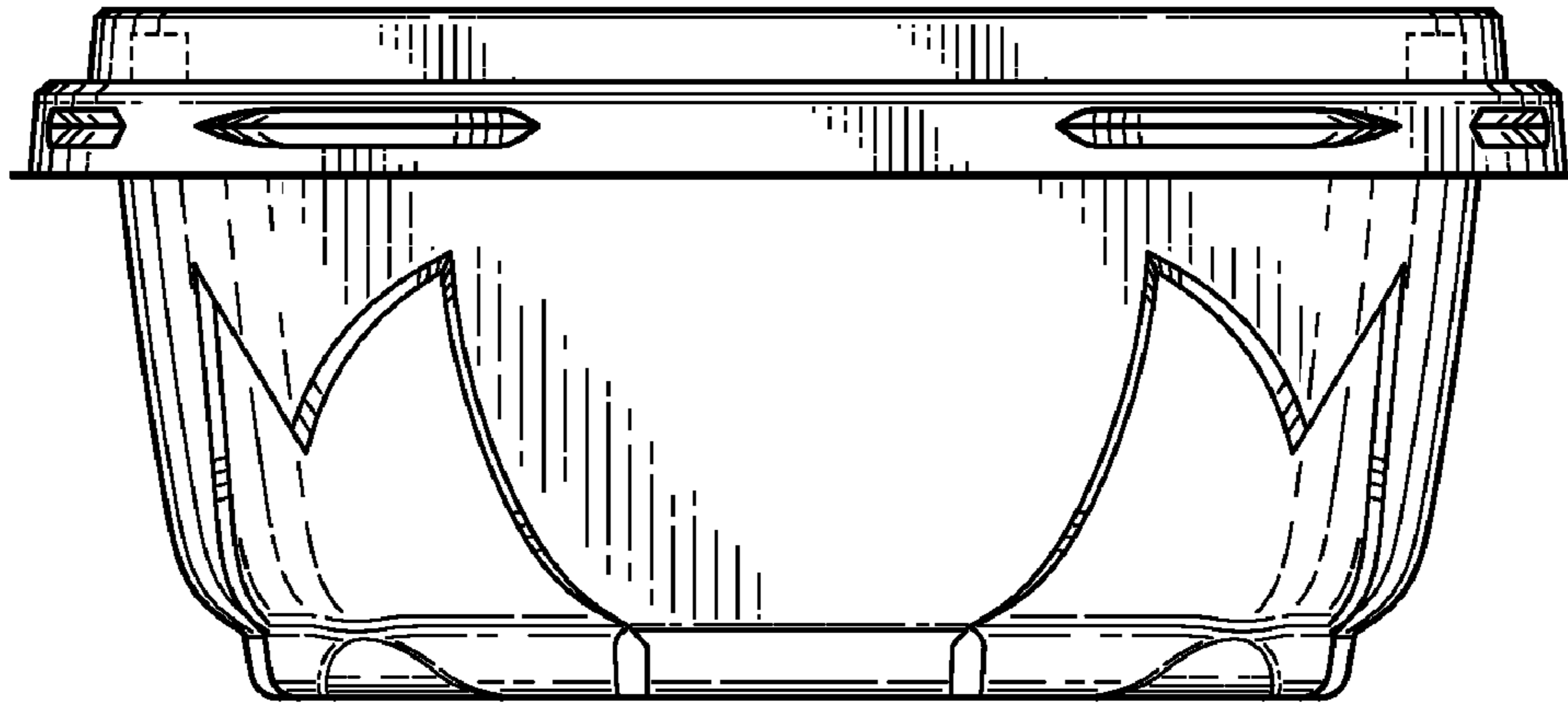


FIG. 7

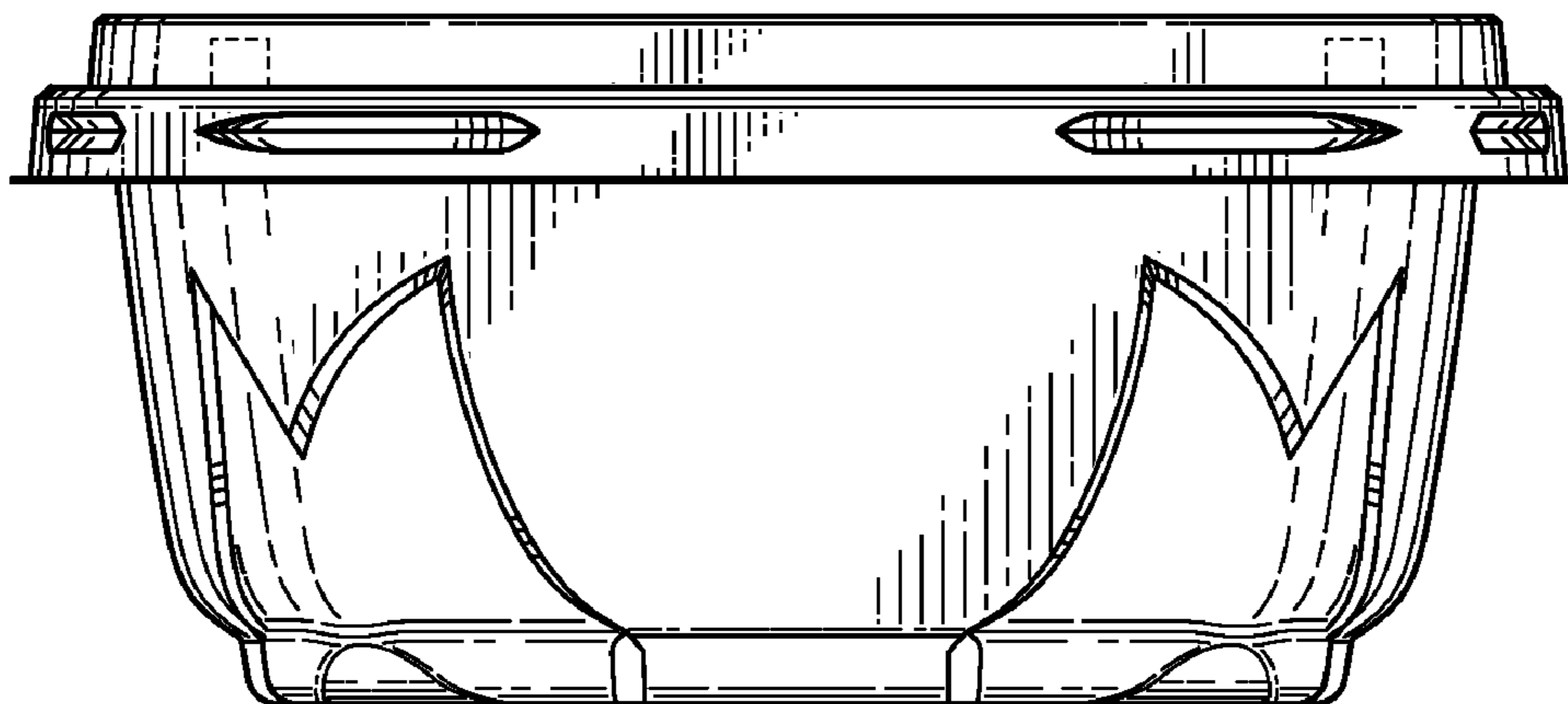


FIG. 8