



US00D627218S

(12) **United States Design Patent**
Golota et al.

(10) **Patent No.:** **US D627,218 S**
(45) **Date of Patent:** **** Nov. 16, 2010**

(54) **TAMPER RESISTANT PACKAGE**

(75) Inventors: **George A. Golota**, Glenview, IL (US);
Michael A. Drozek, Palatine, IL (US);
James J. Sanfilippo, Barrington, IL
(US); **Roman Forowycz**, Lake Forrest,
IL (US); **John E. Sanfilippo**, Barrington
Hills, IL (US); **Francisco J. Soria**, West
Chicago, IL (US)

(73) Assignee: **Clear Lam Packaging, Inc.**, Elk Grove
Village, IL (US)

(**) Term: **14 Years**

(21) Appl. No.: **29/350,061**

(22) Filed: **Nov. 10, 2009**

(51) **LOC (9) Cl.** **09-03**

(52) **U.S. Cl.** **D9/424**

(58) **Field of Classification Search** D9/424,
D9/414, 418-423, 425, 428-432, 435, 436,
D9/455, 499; D3/202, 273, 328; D7/538,
D7/601, 602, 604, 610, 612, 629; 206/486,
206/488, 490, 503, 504, 557, 562, 565, 521.1,
206/775, 776, 815, 822; 220/676, 781, 786,
220/789, 790, 793; 229/406, 407, 906, 915,
229/925

See application file for complete search history.

(56) **References Cited**

U.S. PATENT DOCUMENTS

D82,528 S * 11/1930 Siciliani D1/22
3,483,908 A * 12/1969 Donovan 221/260
D256,650 S * 9/1980 Juster D7/629
4,346,833 A * 8/1982 Bernhardt 220/257.1
D270,619 S * 9/1983 Zimmer D9/424
D281,398 S * 11/1985 Kesselring D9/756
4,697,703 A * 10/1987 Will 206/438
4,750,619 A * 6/1988 Cohen et al. 206/438
D327,220 S * 6/1992 Proffitt et al. D9/423
D354,435 S * 1/1995 Krupa D9/423
5,511,684 A * 4/1996 Weaver, Jr. 220/630

D388,325 S * 12/1997 Tucker et al. D9/425
D498,050 S * 11/2004 Scribner D3/273
D501,403 S * 2/2005 Wilcock et al. D9/425
D501,764 S * 2/2005 Lerner D7/629
6,874,650 B2 * 4/2005 Welsh et al. 220/519
D514,931 S * 2/2006 Snedden et al. D9/425

OTHER PUBLICATIONS

U.S. Appl. No. 12/350,903, filed Jan. 8, 2009, Golota et al.
U.S. Appl. No. 29/346,571, filed Nov. 2, 2009, Golota et al.
U.S. Appl. No. 29/346,570, filed Nov. 2, 2009, Golota et al.
U.S. Appl. No. 29/346,576, filed Nov. 2, 2009, Golota et al.
U.S. Appl. No. 29/346,566, filed Nov. 2, 2009, Golota et al.

(Continued)

Primary Examiner—Prabhakar Deshmukh
Assistant Examiner—Derrick Holland

(57) **CLAIM**

The ornamental design for a tamper resistant package, as
shown and described.

DESCRIPTION

FIG. 1 is a top perspective view of the top of a tamper resistant
package showing our new design;

FIG. 2 is another top perspective view thereof;

FIG. 3 is a bottom perspective view thereof of the bottom of
the package;

FIG. 4 is another bottom perspective view thereof;

FIG. 5 is a top plan view thereof;

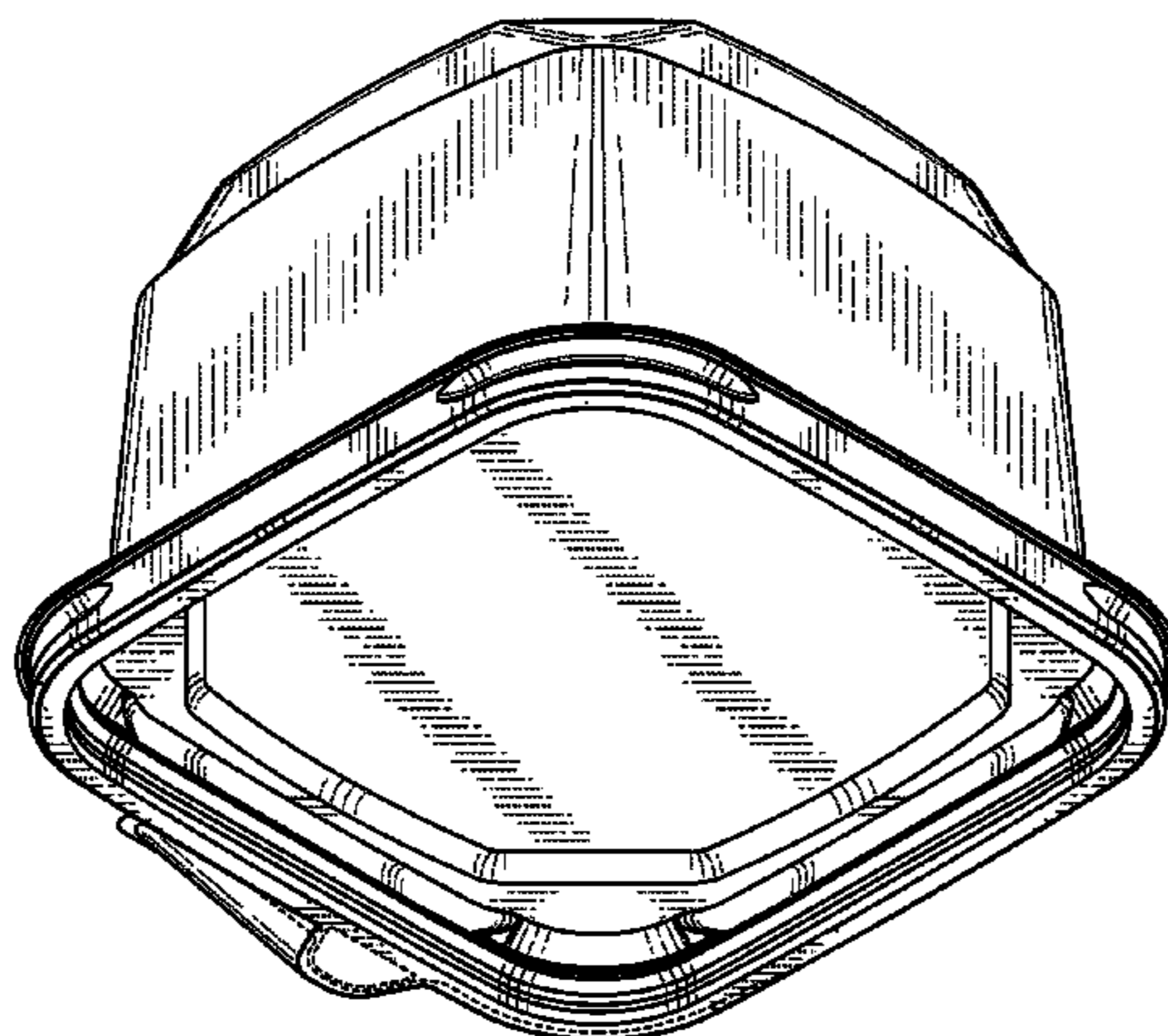
FIG. 6 is a side view thereof.

FIG. 7 is a bottom plan view thereof; and,

FIG. 8 is another side view thereof.

The broken lines shown are for illustrative purposes only and
form no part of the claimed design.

1 Claim, 6 Drawing Sheets



US D627,218 S

Page 2

OTHER PUBLICATIONS

U.S. Appl. No. 29/346,563, filed Nov. 2, 2009, Golota et al.
U.S. Appl. No. 29/346,557, filed Nov. 2, 2009, Golota et al.

U.S. Appl. No. 29/346,555, filed Nov. 2, 2009, Golota et al.
U.S. Appl. No. 29/346,552, filed Nov. 2, 2009, Golota et al.

* cited by examiner

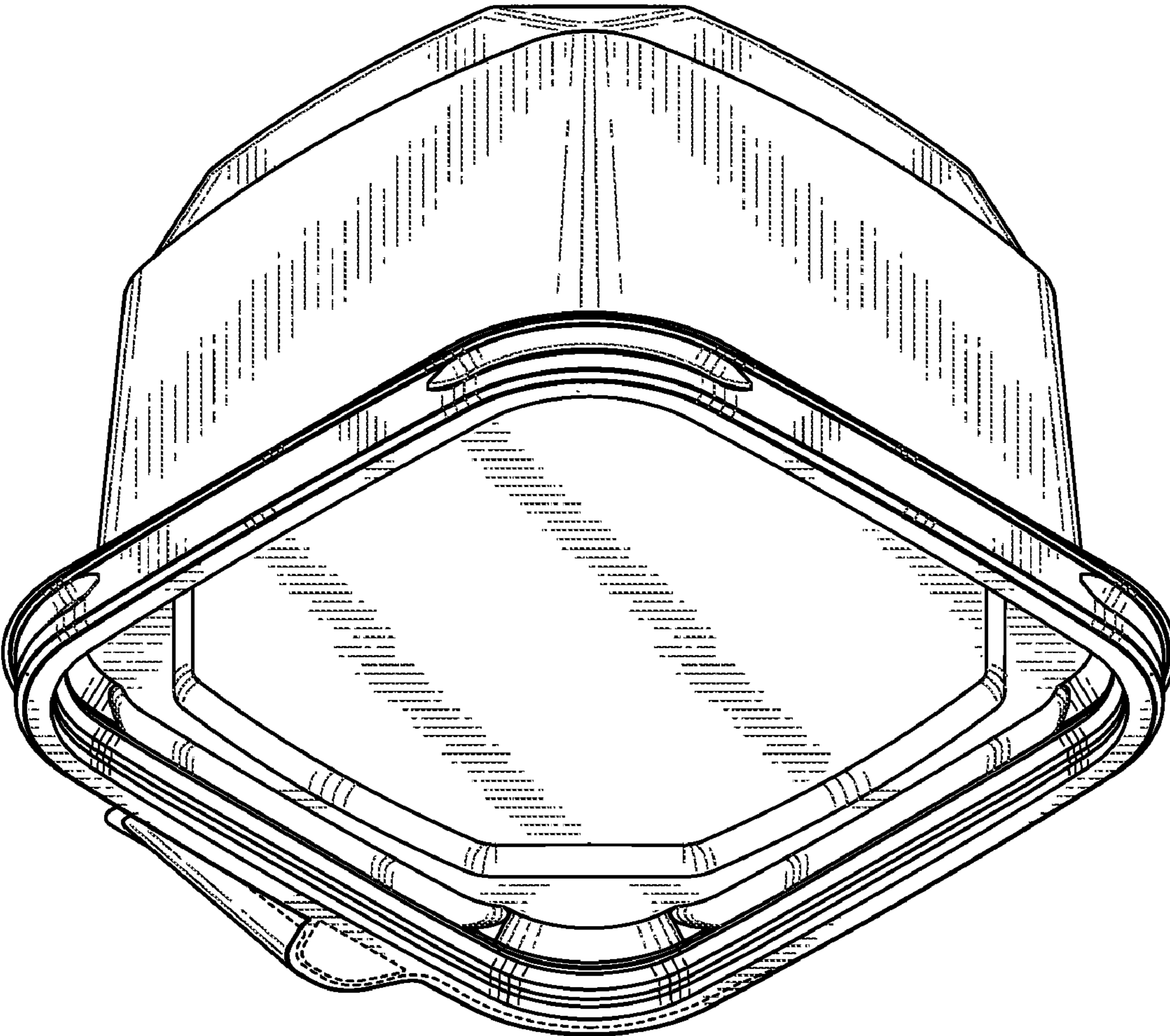


FIG. 1

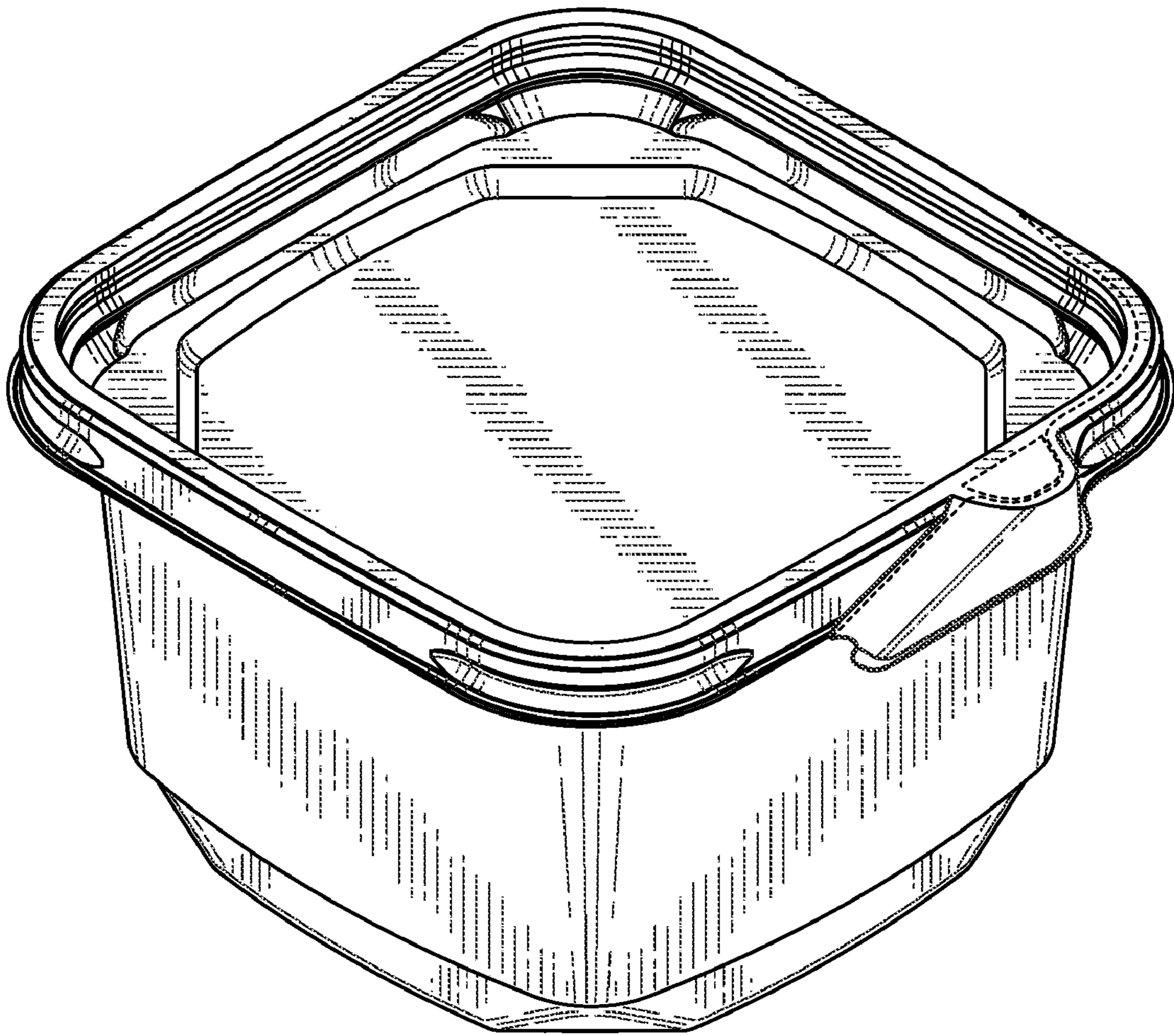


FIG. 2

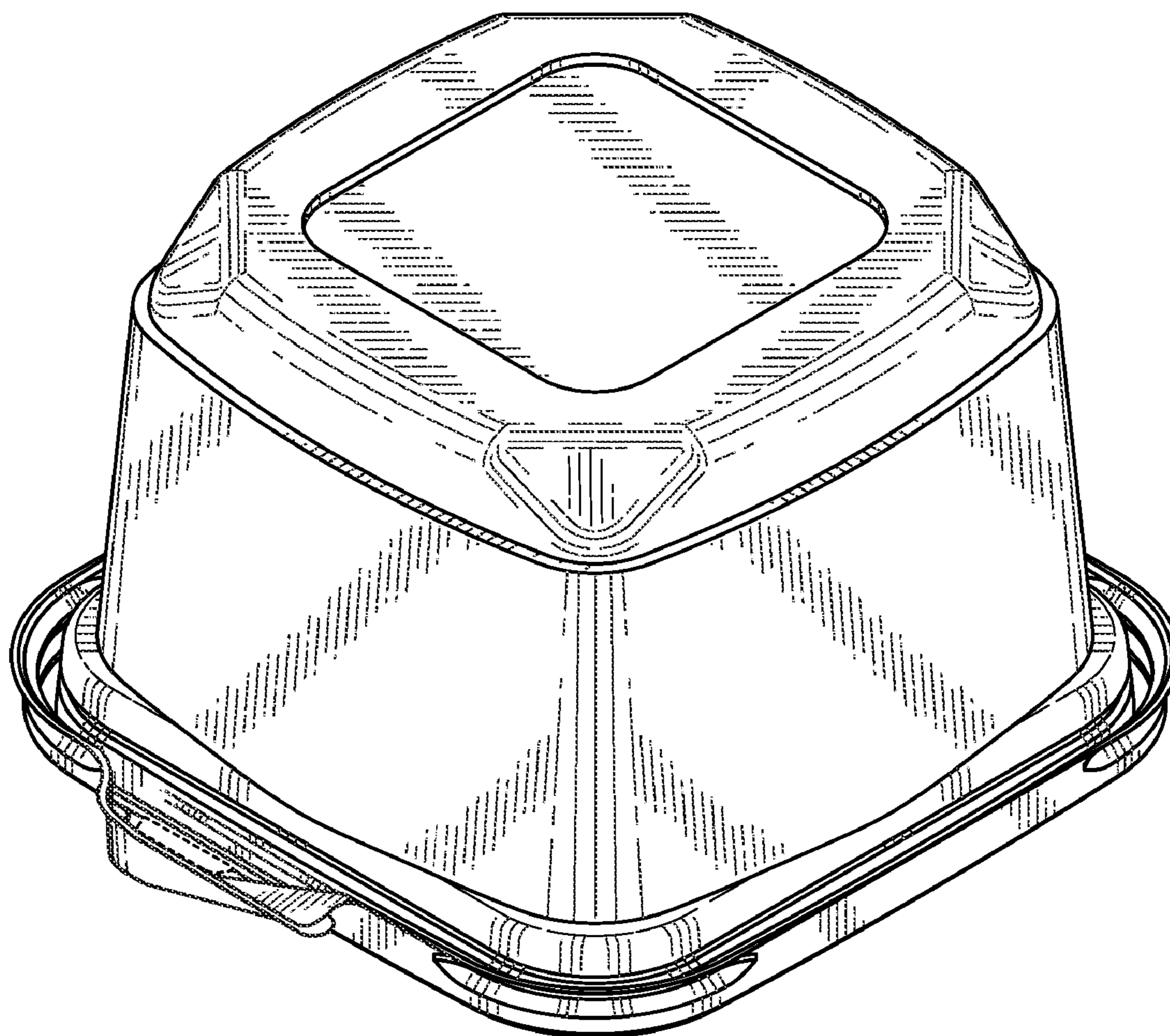


FIG. 3

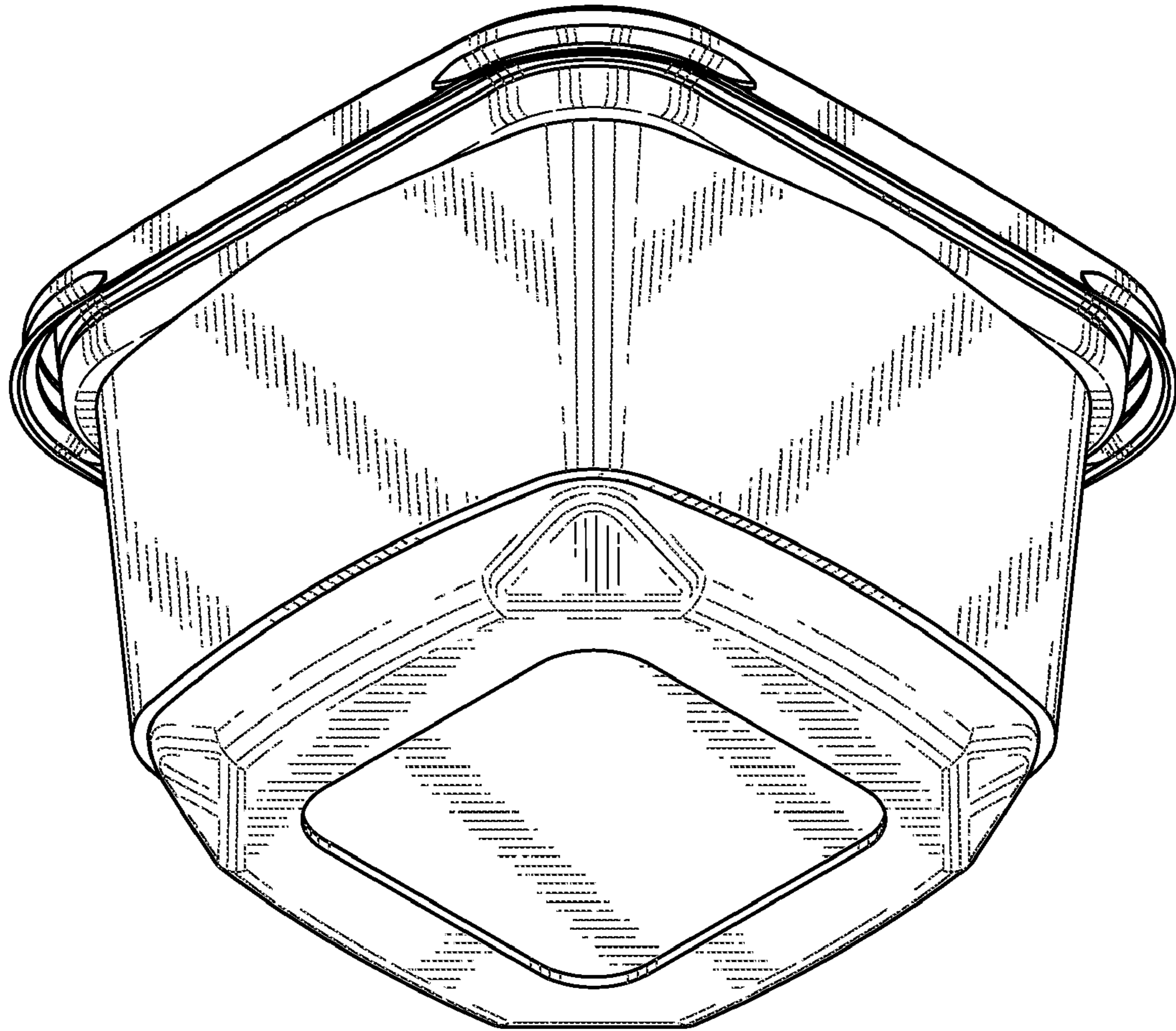


FIG. 4

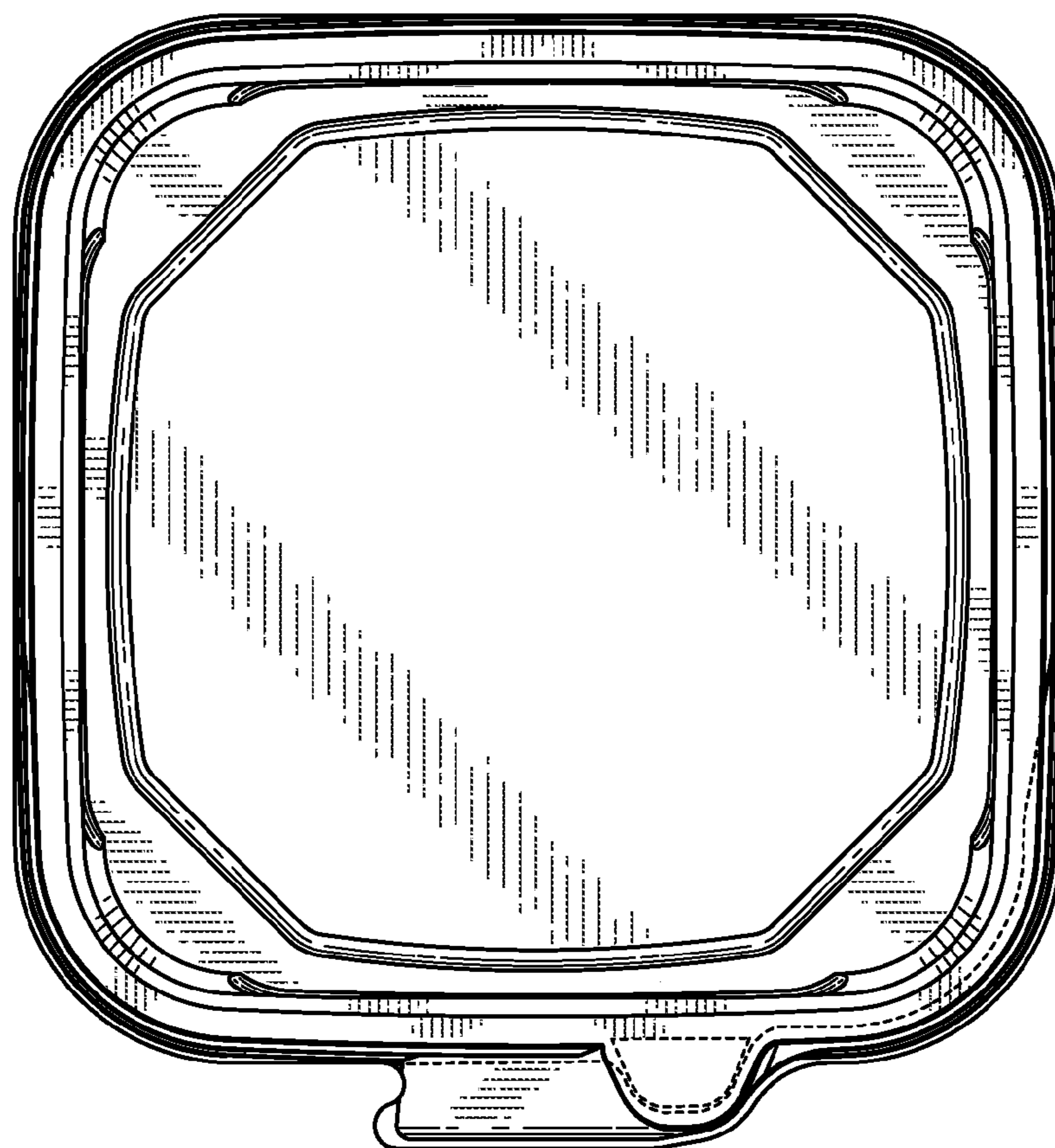


FIG. 5

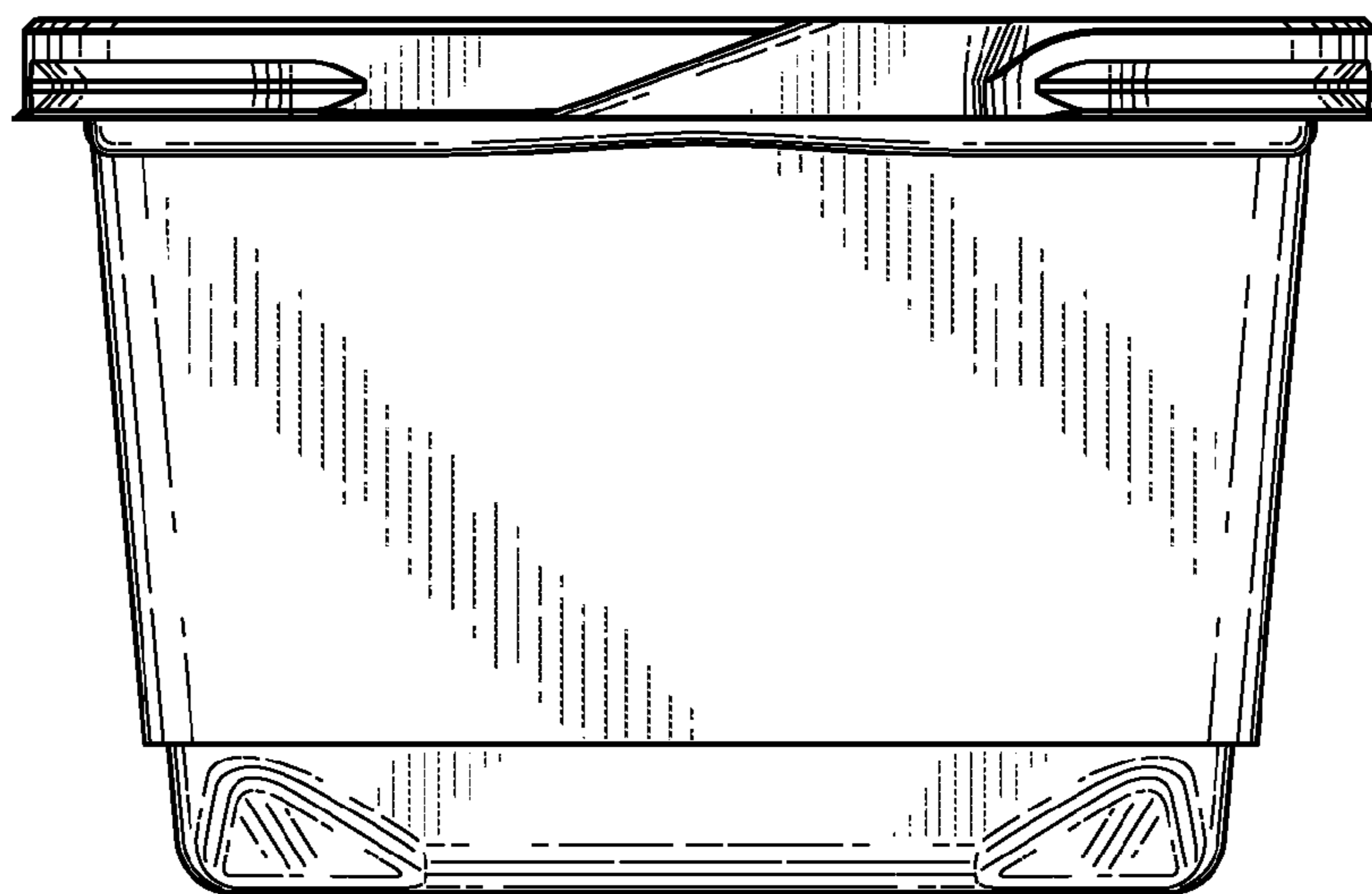


FIG. 6

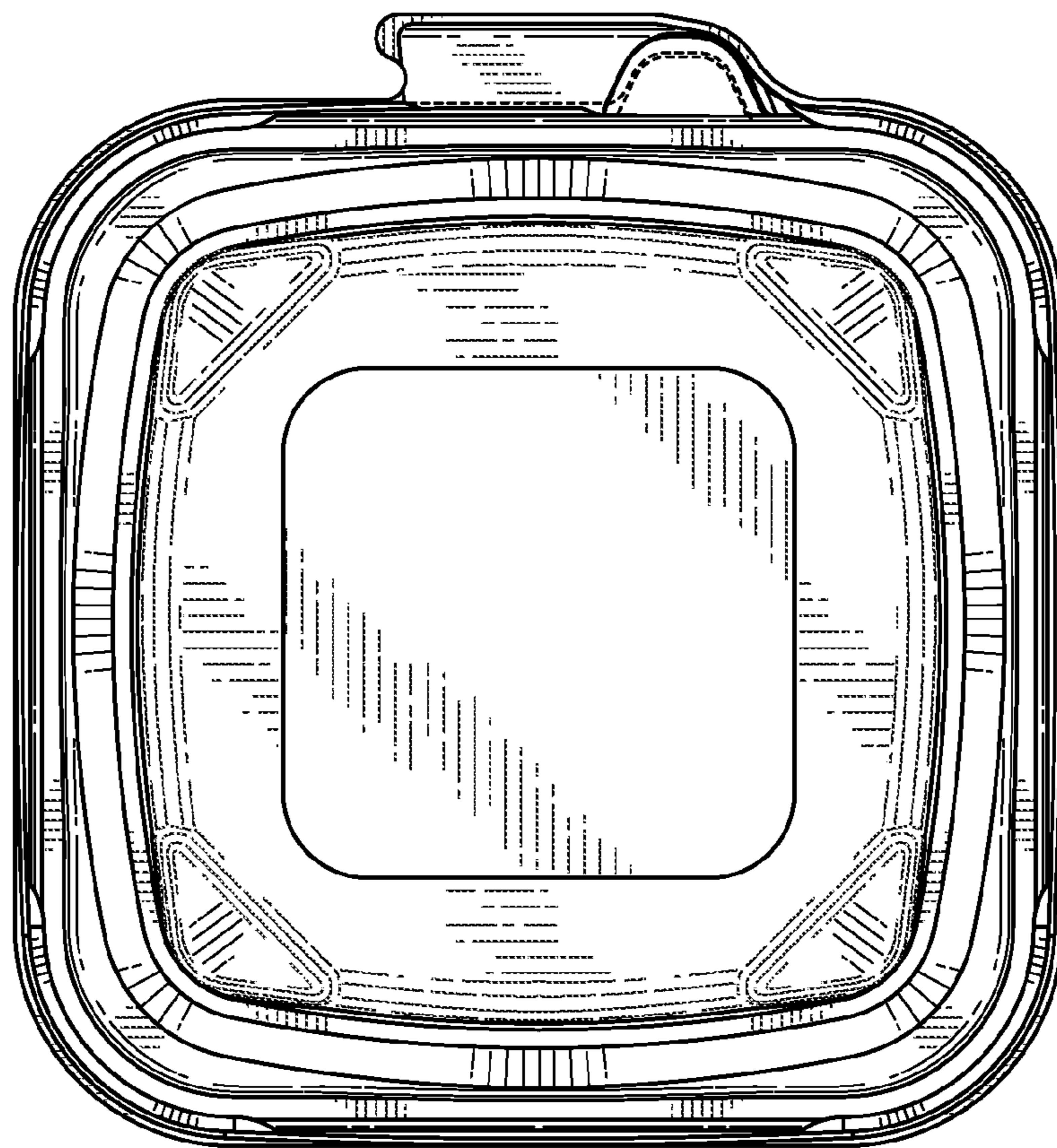


FIG. 7

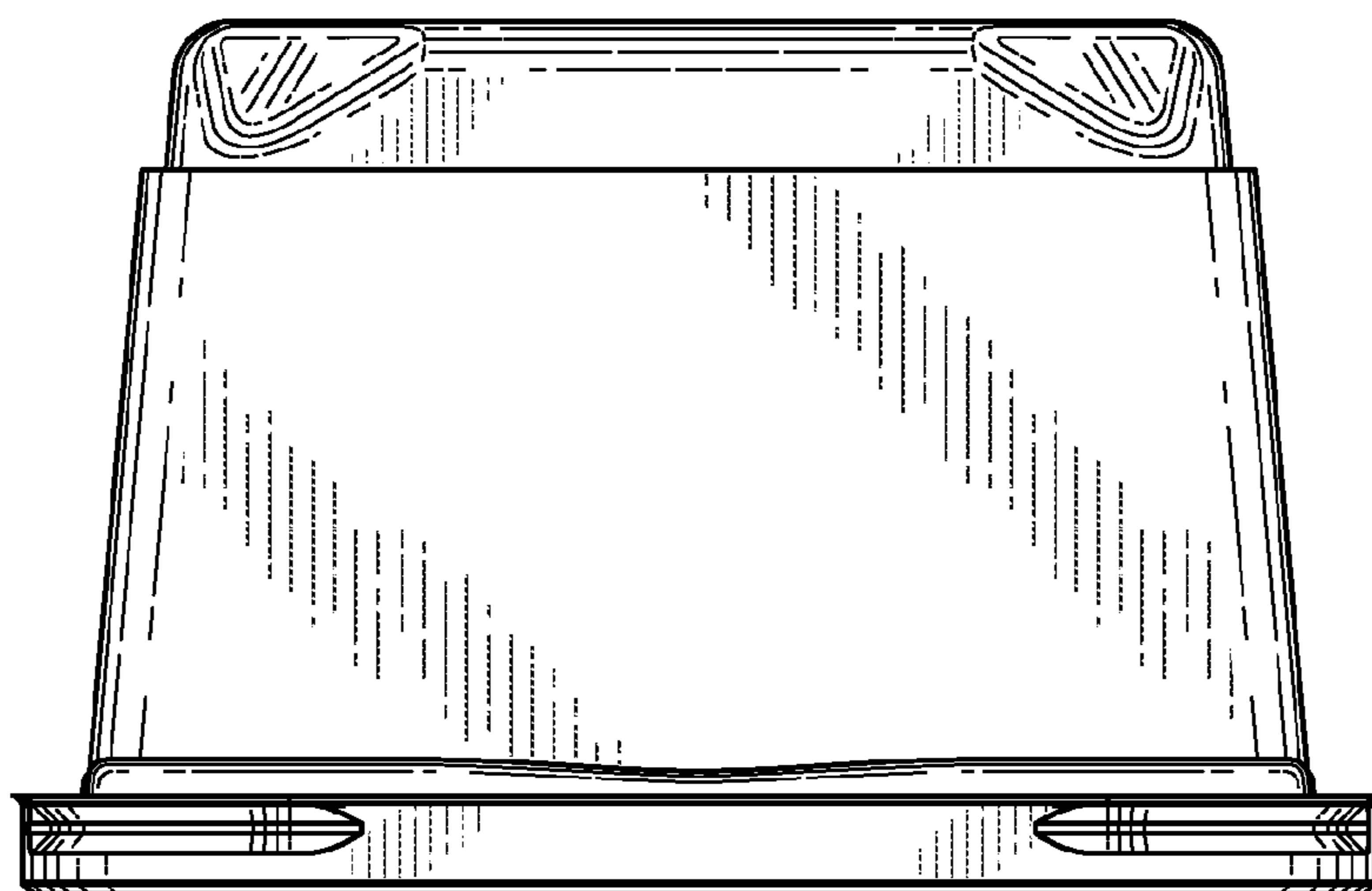


FIG. 8