



US00D627216S

(12) **United States Design Patent**  
**Fulginiti**

(10) **Patent No.:** **US D627,216 S**

(45) **Date of Patent:** **\*\* Nov. 16, 2010**

(54) **TAMPER CUP SEAL**

(75) Inventor: **Thomas Fulginiti**, Waldorf, MD (US)

(73) Assignee: **The United States of America as represented by the Director, National Security Agency**, Washington, DC (US)

(\*\*) Term: **14 Years**

(21) Appl. No.: **29/315,757**

(22) Filed: **Jul. 21, 2009**

(51) **LOC (9) Cl.** ..... **08-99**

(52) **U.S. Cl.** ..... **D8/499**

(58) **Field of Classification Search** ..... D8/387,  
D8/394, 397, 399; D9/435, 443, 454; D15/138,  
D15/140; 70/50, 57.1, 440; 292/37 A, 37 B,  
292/37 R, 308, 310, 315, 316, 325, 326  
See application file for complete search history.

(56) **References Cited**

U.S. PATENT DOCUMENTS

1,074,769	A *	10/1913	Baruch	.....	292/325
2,750,220	A *	6/1956	Keidel	.....	292/323
3,209,569	A *	10/1965	Bryson et al.	.....	70/440
3,435,975	A *	4/1969	Weigand	.....	215/214
D270,642	S *	9/1983	Watts	.....	D15/126
4,489,834	A *	12/1984	Thackrey	.....	206/534
4,676,084	A *	6/1987	Signorelli	.....	70/440
4,756,434	A *	7/1988	Frank	.....	215/201
5,927,532	A *	7/1999	Traub	.....	215/342
5,953,799	A *	9/1999	Seidel	.....	24/704.1
D446,456	S *	8/2001	Adachi et al.	.....	D9/529
6,588,812	B1 *	7/2003	Garcia et al.	.....	292/307 R
7,233,245	B2 *	6/2007	O'Neill	.....	340/568.2
D571,201	S *	6/2008	Petrosino et al.	.....	D9/436

D580,261	S *	11/2008	Bulte	.....	D8/387
D587,581	S *	3/2009	DeMarco et al.	.....	D9/454
D608,900	S *	1/2010	Giraud et al.	.....	D24/216
2007/0271970	A1 *	11/2007	Marsilio et al.	.....	70/57.1
2010/0139336	A1 *	6/2010	Necchi	.....	70/57.1

\* cited by examiner

*Primary Examiner*—Patricia Palasik

(74) *Attorney, Agent, or Firm*—Robert D. Morelli

(57) **CLAIM**

The ornamental design for a tamper cup seal, as shown and described.

**DESCRIPTION**

FIG. 1 is a perspective view of an assembled tamper cup seal showing my new design;

FIG. 2 is a side view thereof;

FIG. 3 is a top view thereof;

FIG. 4 is a bottom view thereof;

FIG. 5 is a cross section view taken along line 5—5 of FIG. 4;

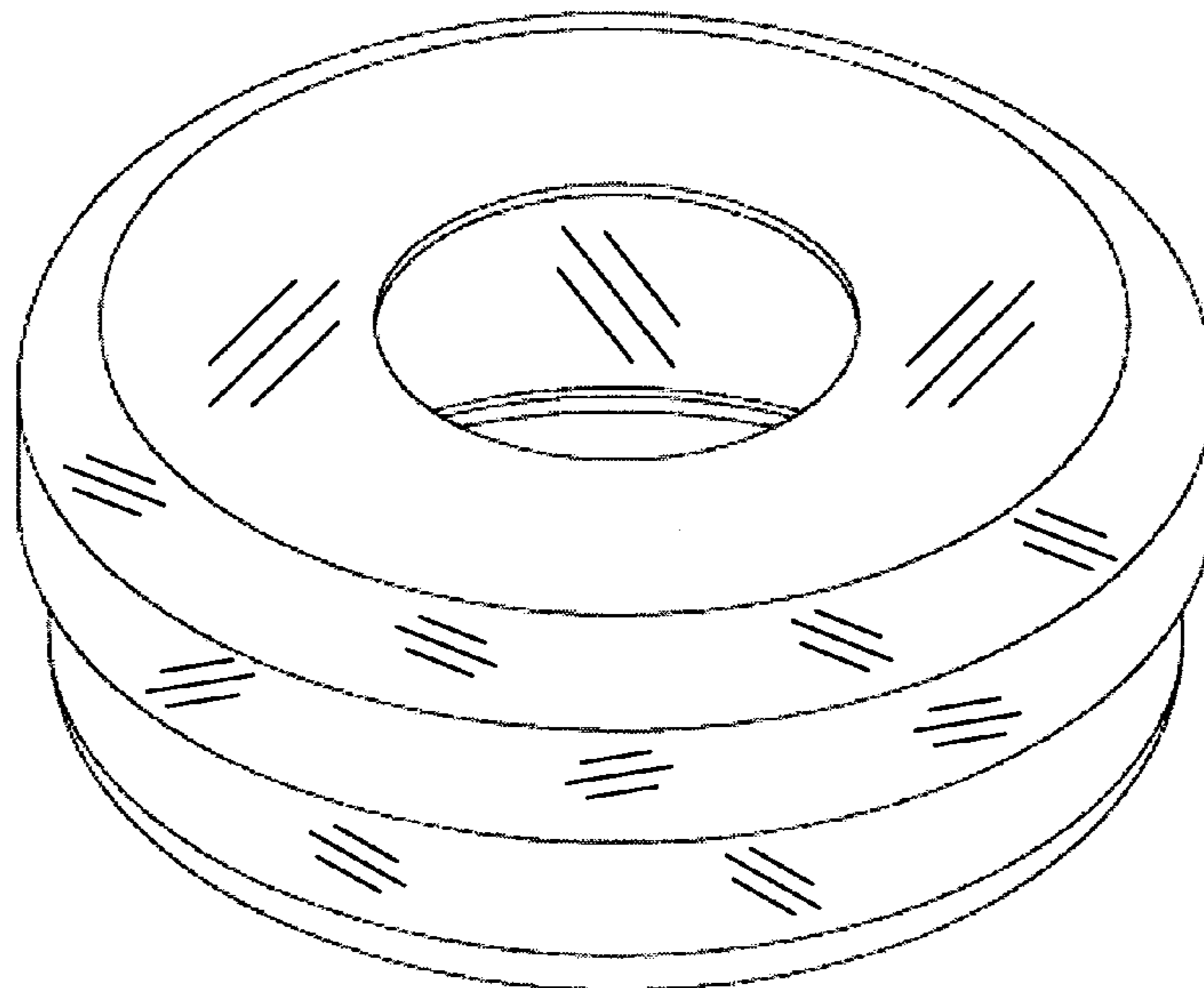
FIG. 6 is a perspective view of a disassembled tamper cup seal;

FIG. 7 is a side view of a disassembled tamper cup seal shown for ease of illustration; and,

FIG. 8 is a cross section of a disassembled tamper cup seal shown for ease of illustration and taken along line 8—8 of FIG. 7.

The claimed cup seal is used to cover and protect a screw from being removed, can be countersunk flush to protect the cup seal, and shows evidence of tampering.

**1 Claim, 8 Drawing Sheets**



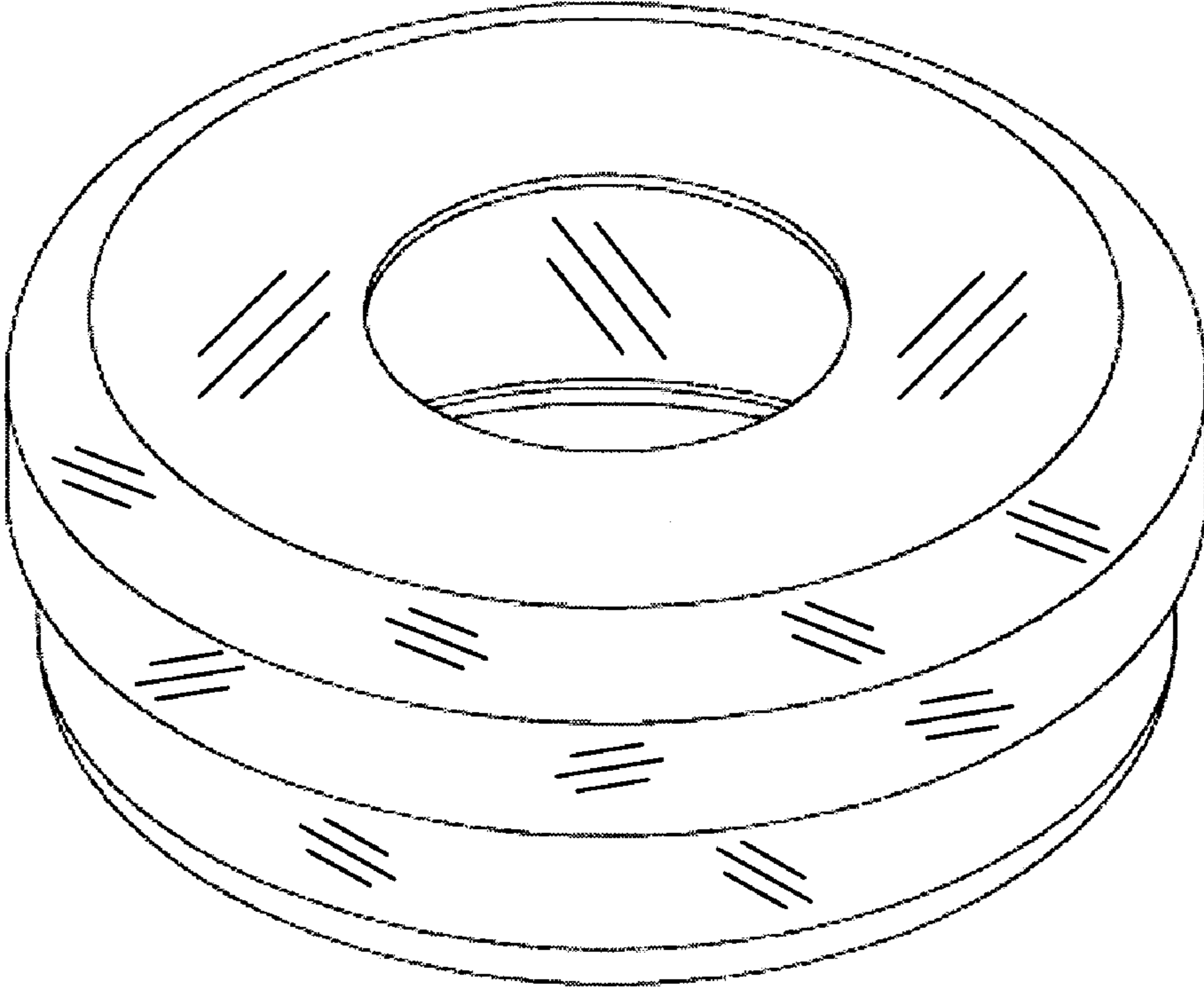


FIG. 1

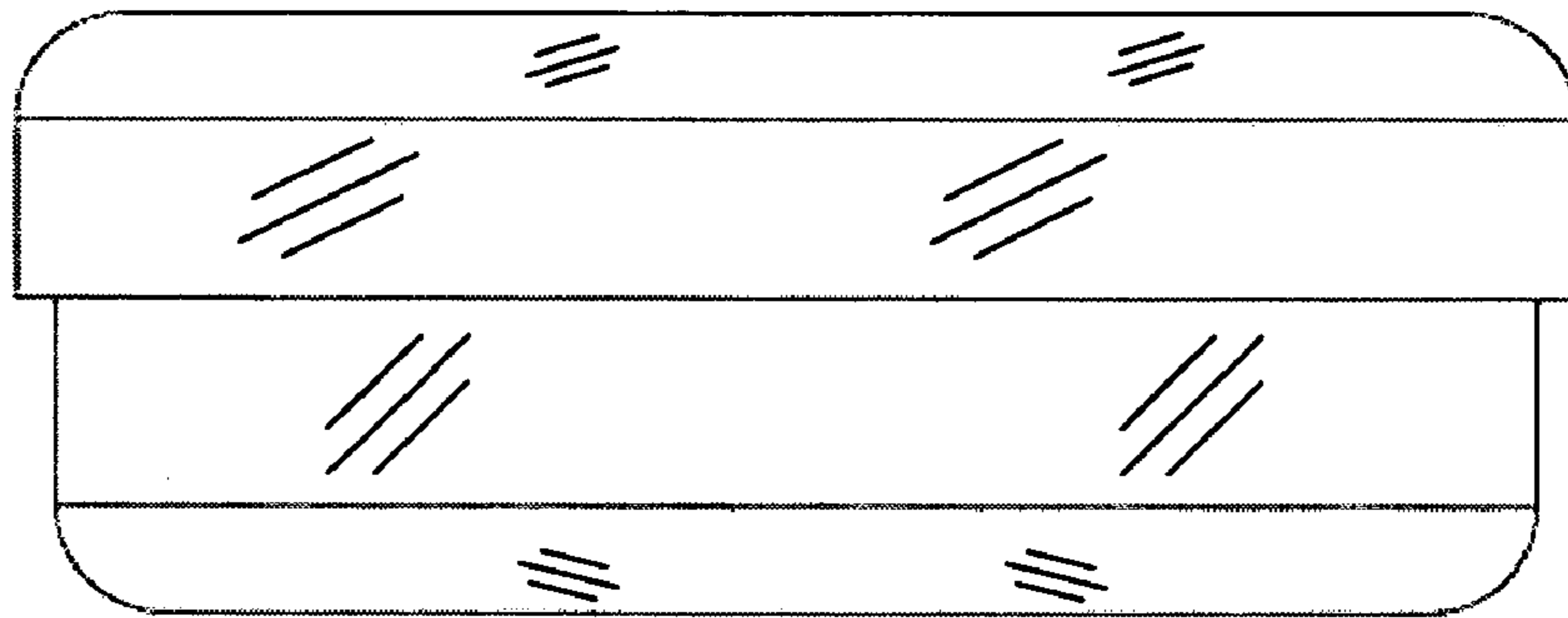


FIG. 2

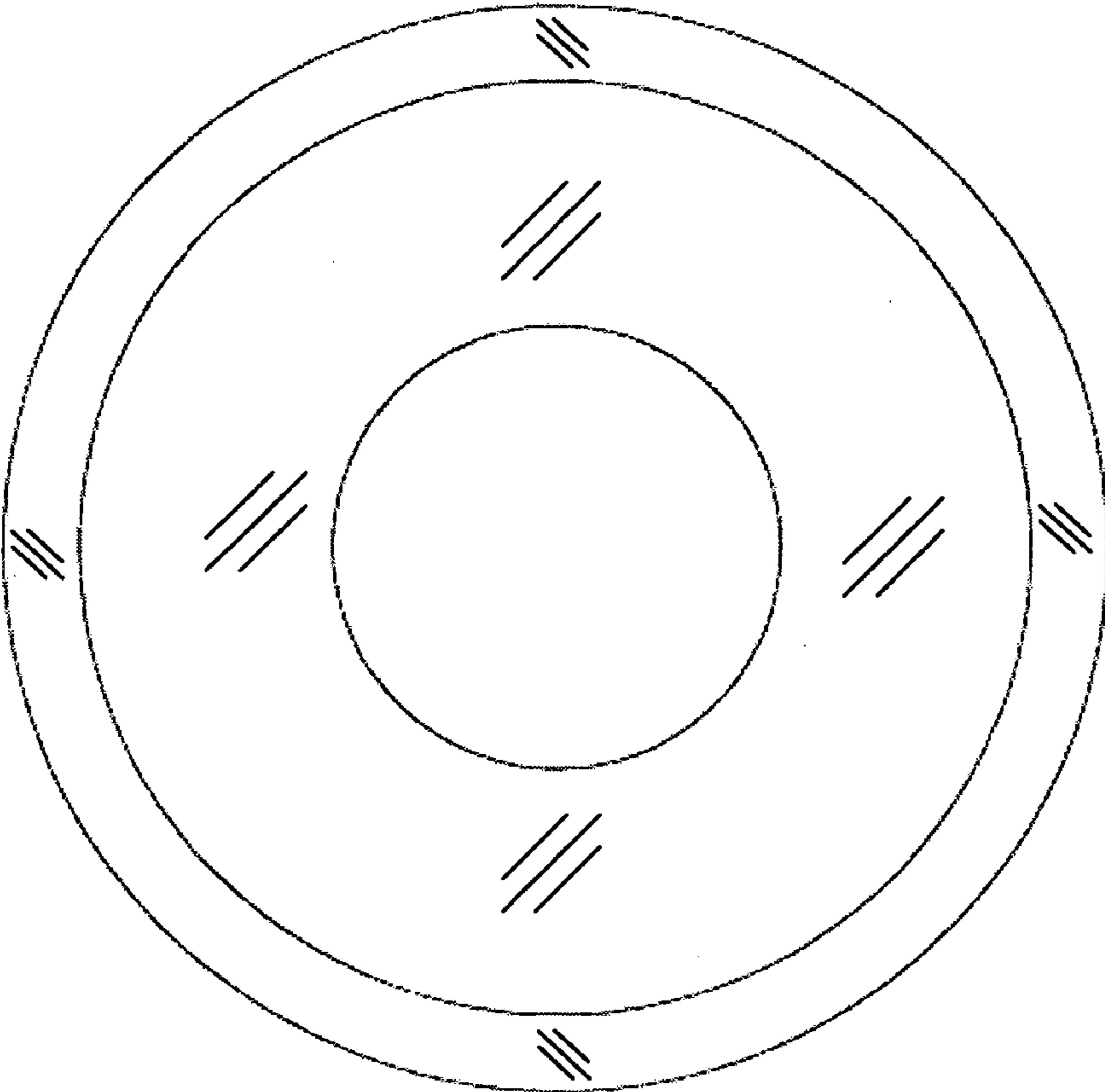


FIG. 3

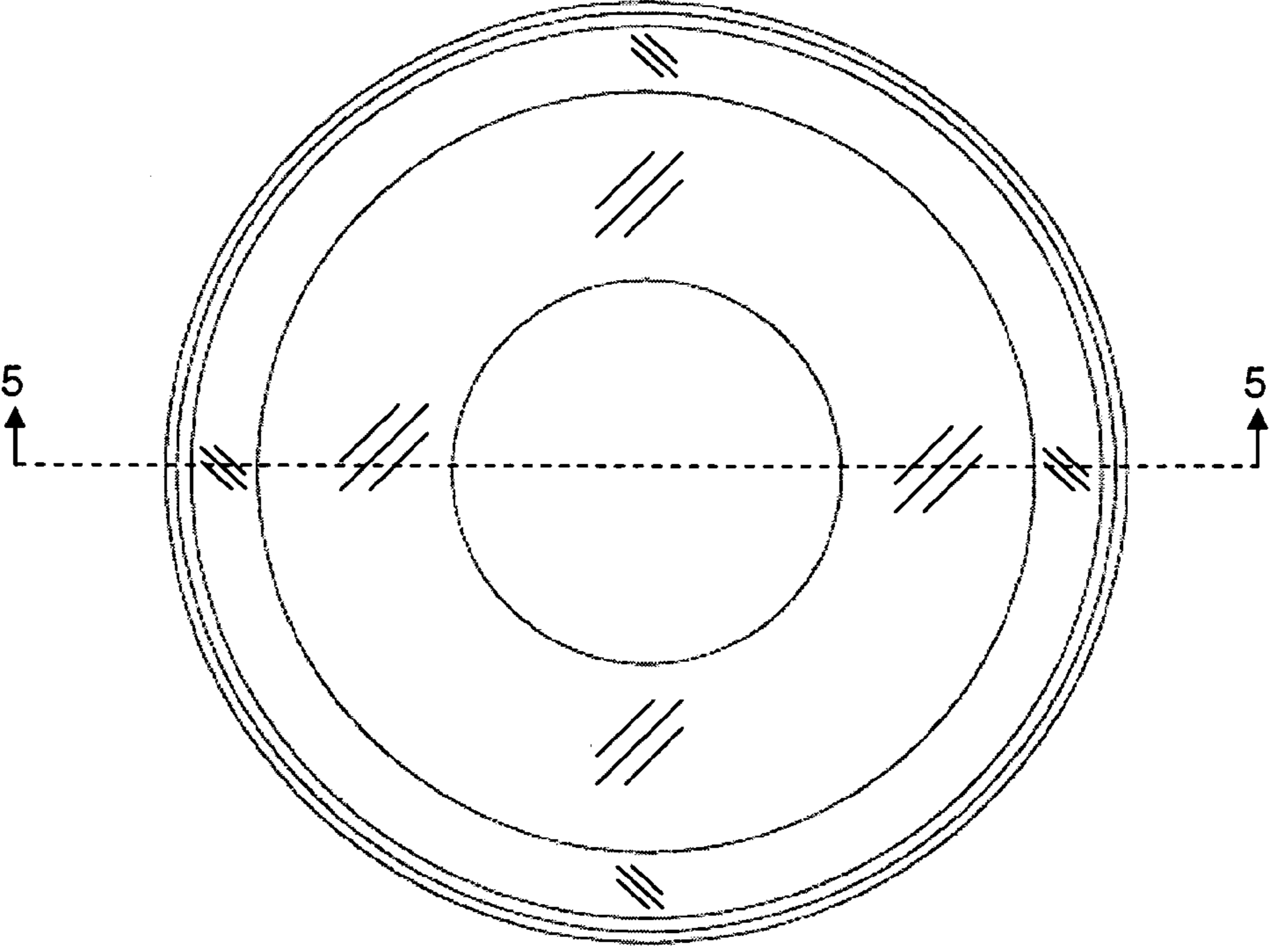


FIG. 4

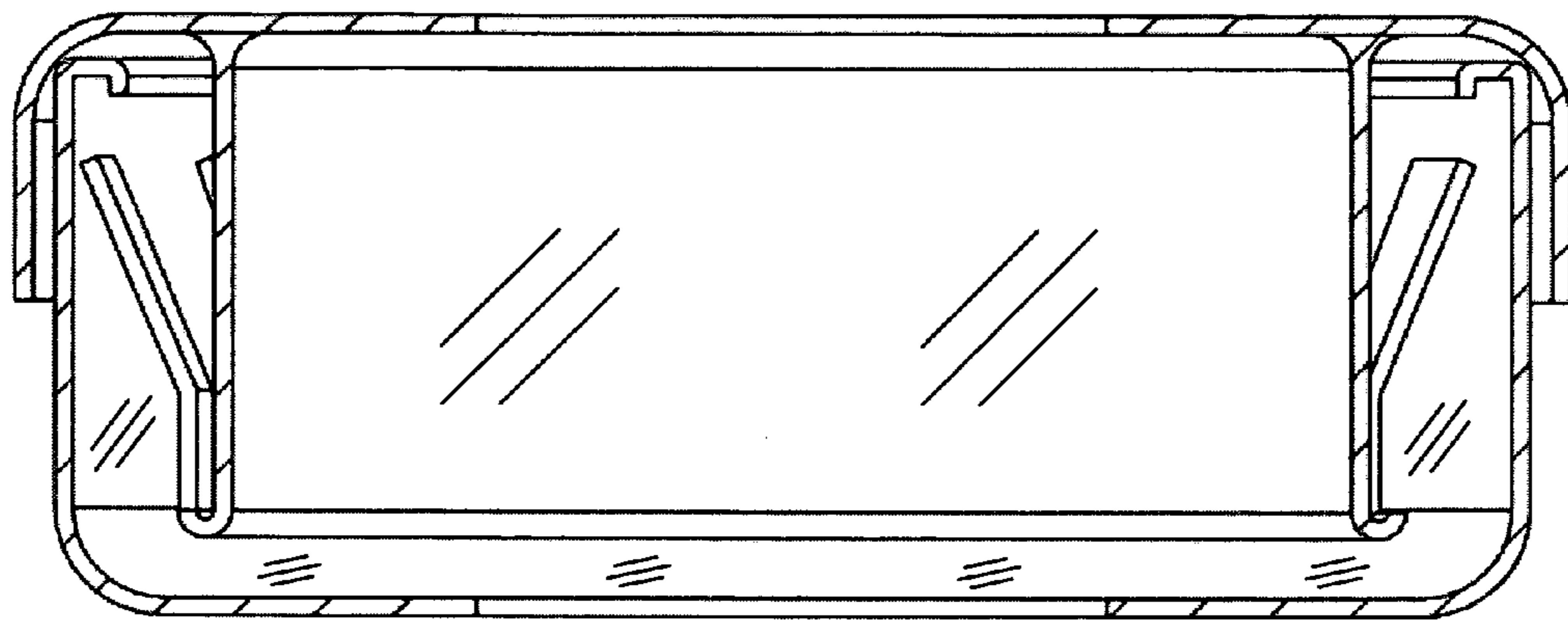


FIG. 5

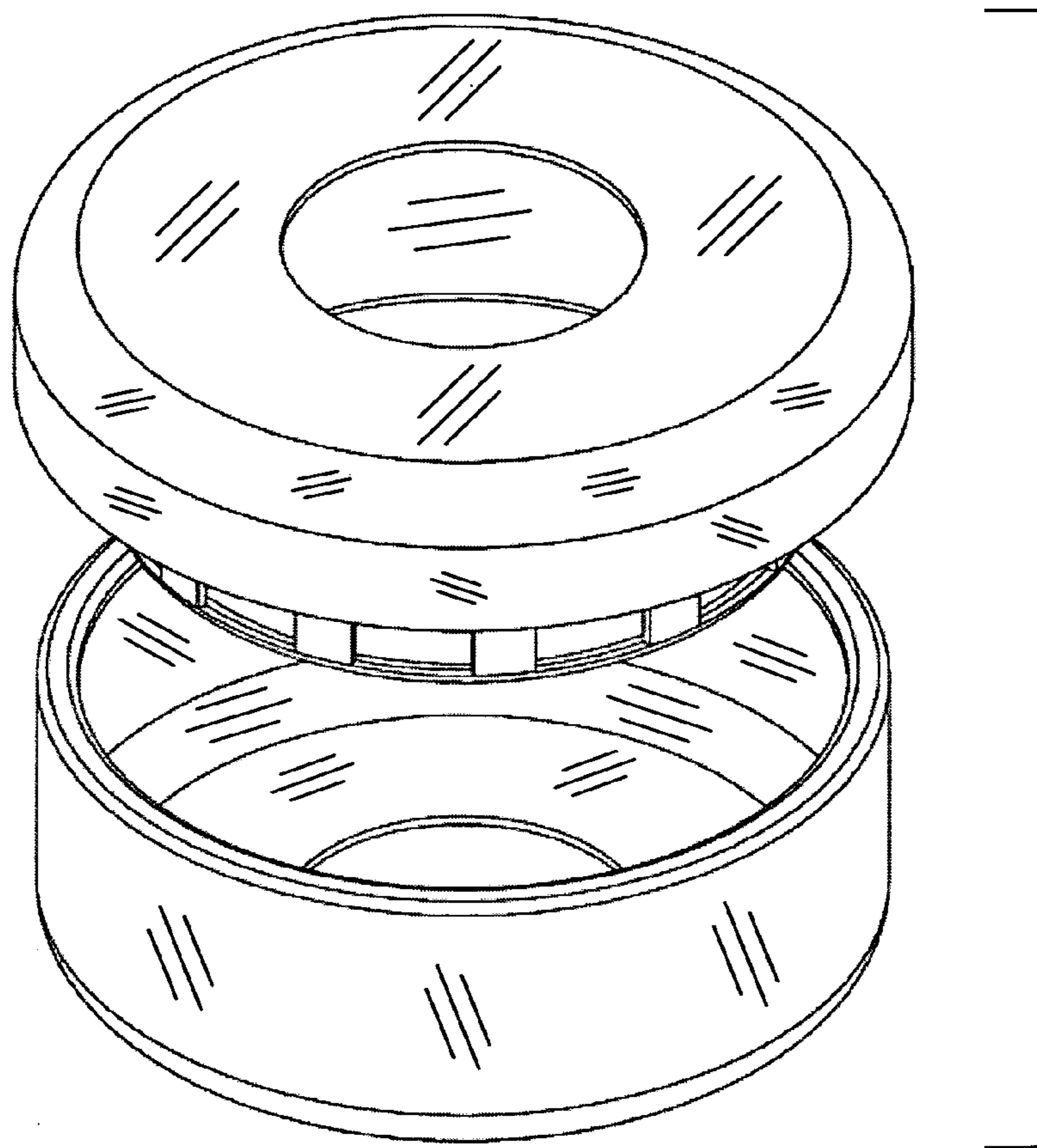


FIG. 6

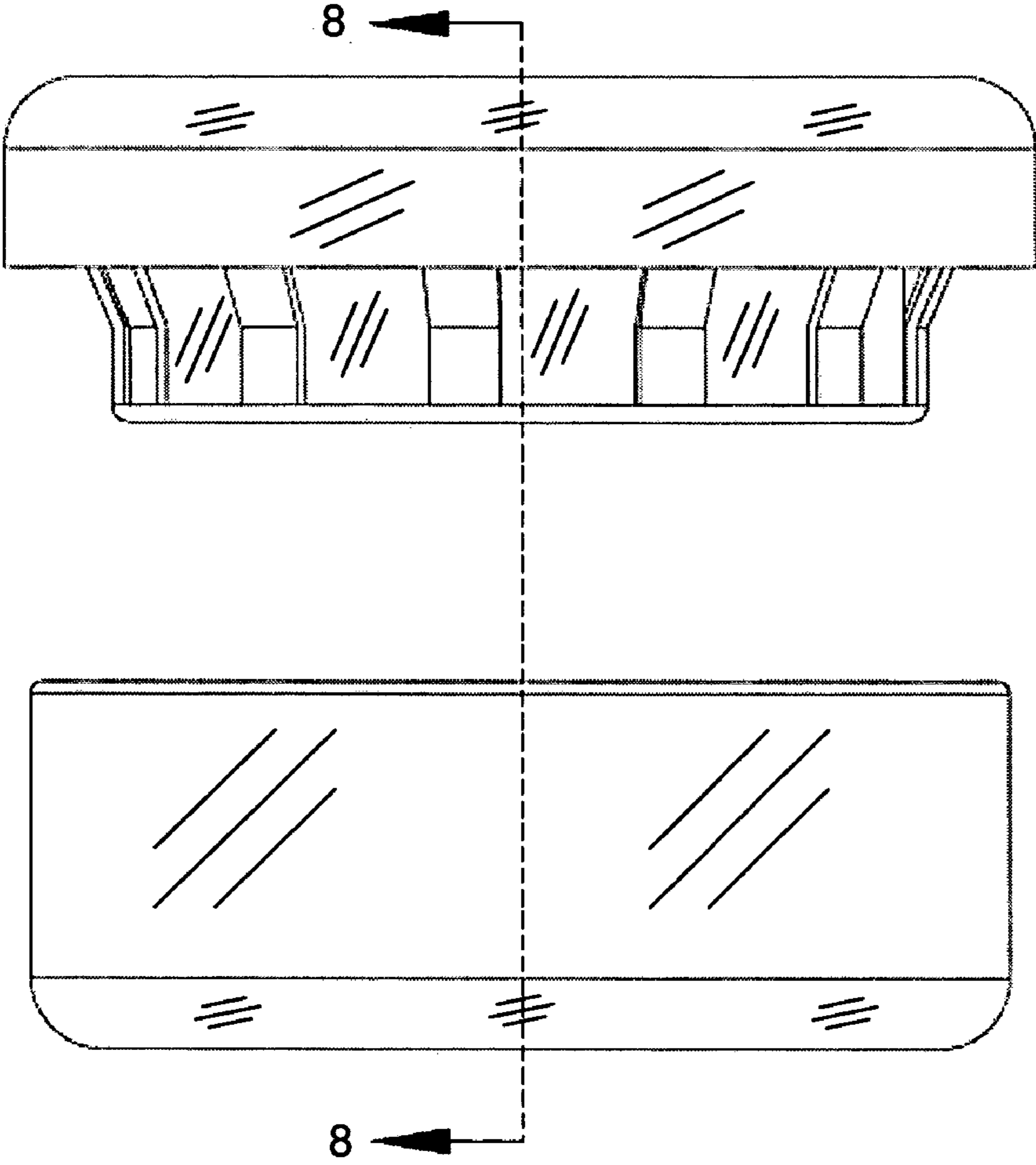


FIG. 7



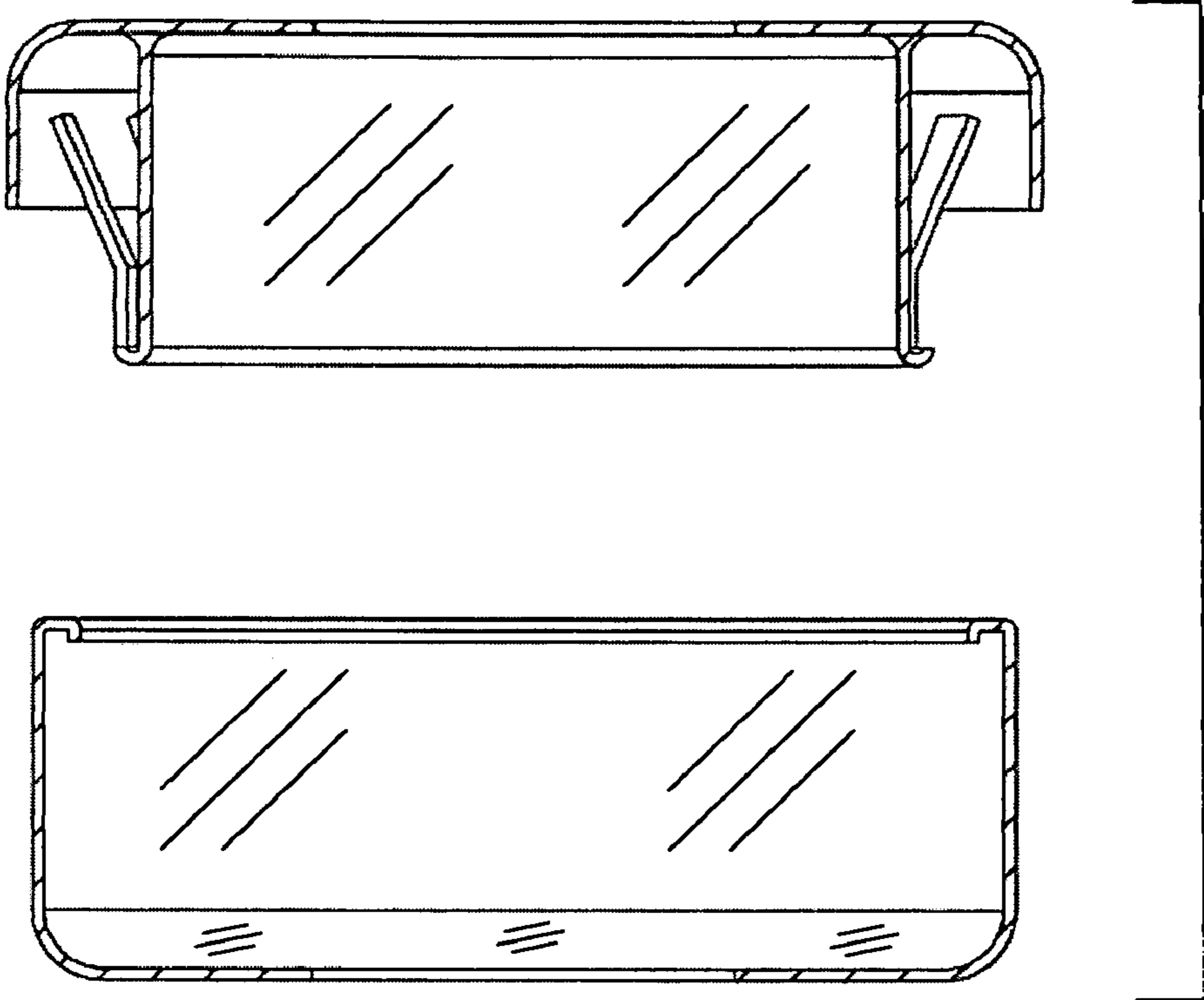


FIG. 8