



US00D627215S

(12) **United States Design Patent**
Summers

(10) **Patent No.:** **US D627,215 S**

(45) **Date of Patent:** **** Nov. 16, 2010**

(54) **CAPTIVE SCREW**

D551,954 S * 10/2007 Tan D8/387

* cited by examiner

(75) **Inventor:** **Gregg Vincent Summers**, Scottsdale, AZ (US)

Primary Examiner—Holly H Baynham

Assistant Examiner—Sheryl Lane

(73) **Assignee:** **Peninsula Components, Inc.**, San Carlos, CA (US)

(74) *Attorney, Agent, or Firm*—Vierra Magen Marcus & DeNiro LLP

(**) **Term:** **14 Years**

(57) **CLAIM**

(21) **Appl. No.:** **29/344,449**

The ornamental design for a captive screw, as shown and described.

(22) **Filed:** **Sep. 29, 2009**

DESCRIPTION

(51) **LOC (9) Cl.** **08-08**

(52) **U.S. Cl.** **D8/387**

(58) **Field of Classification Search** D8/387,
D8/382; 411/352, 353, 378, 403, 366.1,
411/387.1, 393, 402

FIG. 1 is a side perspective view of a captive screw with a self-clinching retainer in a non-fastened position, all remaining sides being identical.

FIG. 2 is a side perspective view of a captive screw with a self-clinching retainer in a fastened position, all remaining sides being identical.

See application file for complete search history.

FIG. 3 is a bottom perspective view shown in FIG. 1.

(56) **References Cited**

U.S. PATENT DOCUMENTS

D283,591 S	4/1986	Swanstrom	
D357,176 S	4/1995	Ernest et al.	
D388,316 S	12/1997	McDounough et al.	
D400,430 S	11/1998	McDounough et al.	
D411,952 S	7/1999	Alderisio, Jr.	
D484,031 S *	12/2003	Ellis et al.	D8/387
D490,297 S *	5/2004	Menta	D8/387
D494,458 S *	8/2004	Aukzemas et al.	D8/387
D501,396 S *	2/2005	Frattarola	D8/387
D502,644 S	3/2005	Ellis et al.	

FIG. 4 is an alternative top plan view of the captive screw showing a cross driver recess.

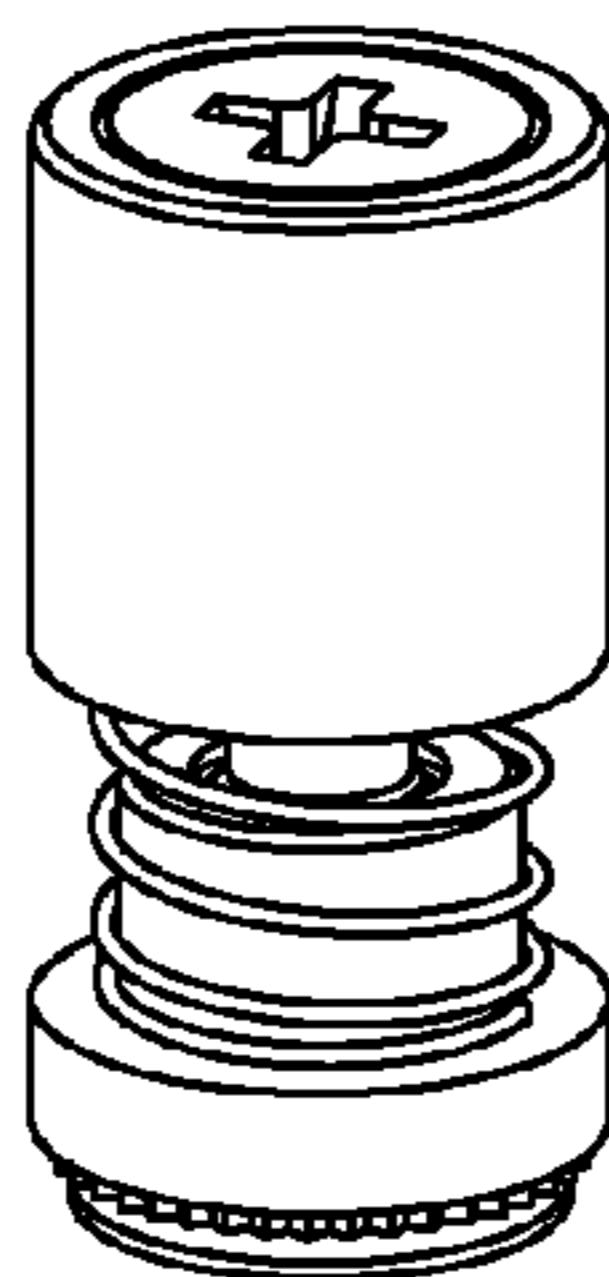
FIG. 5 is an alternative top plan view of the captive screw showing a combination slotted/cross driver recess.

FIG. 6 is an alternative top plan view of the captive screw showing a slotted driver recess.

FIG. 7 is an alternative top plan view of the captive screw showing a slotted six-lobed driver recess; and,

FIG. 8 is an alternative top plan view of the captive screw showing a six-lobed driver recess.

1 Claim, 1 Drawing Sheet



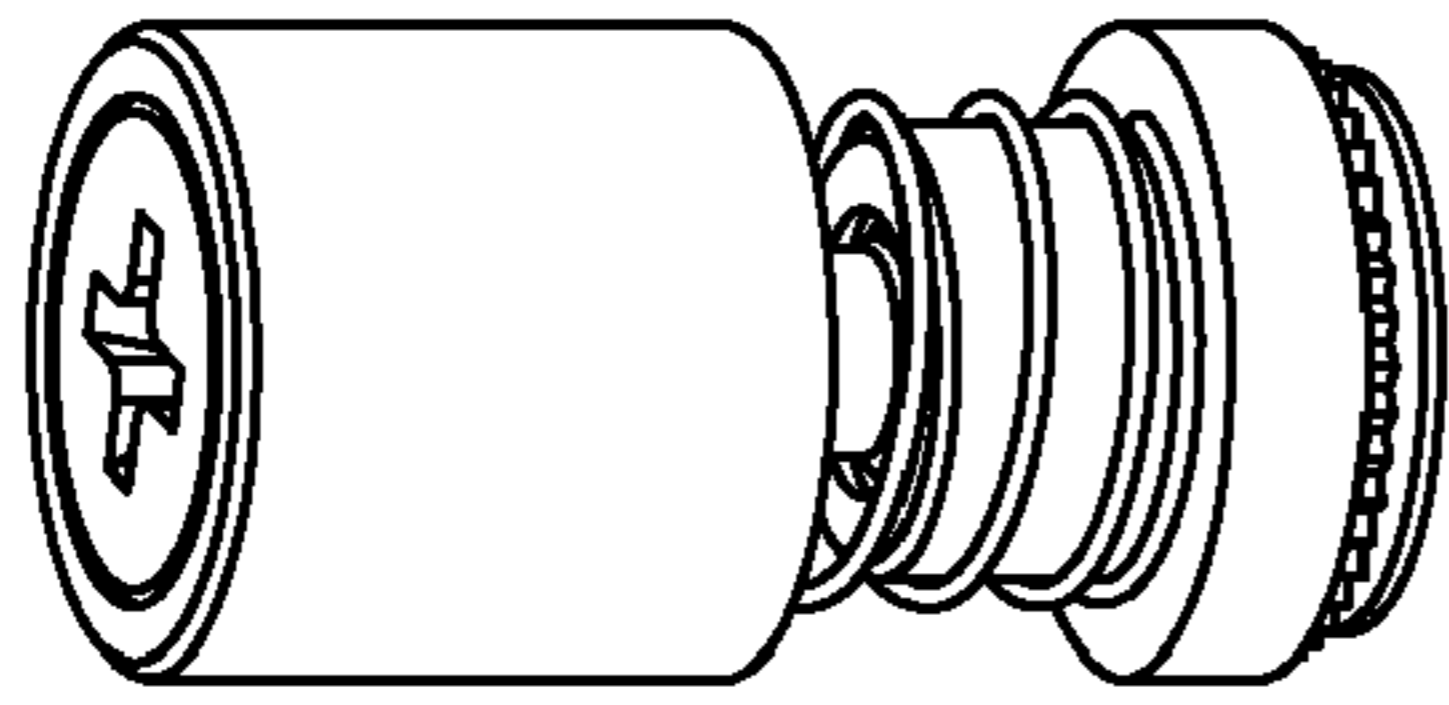


Fig. 1

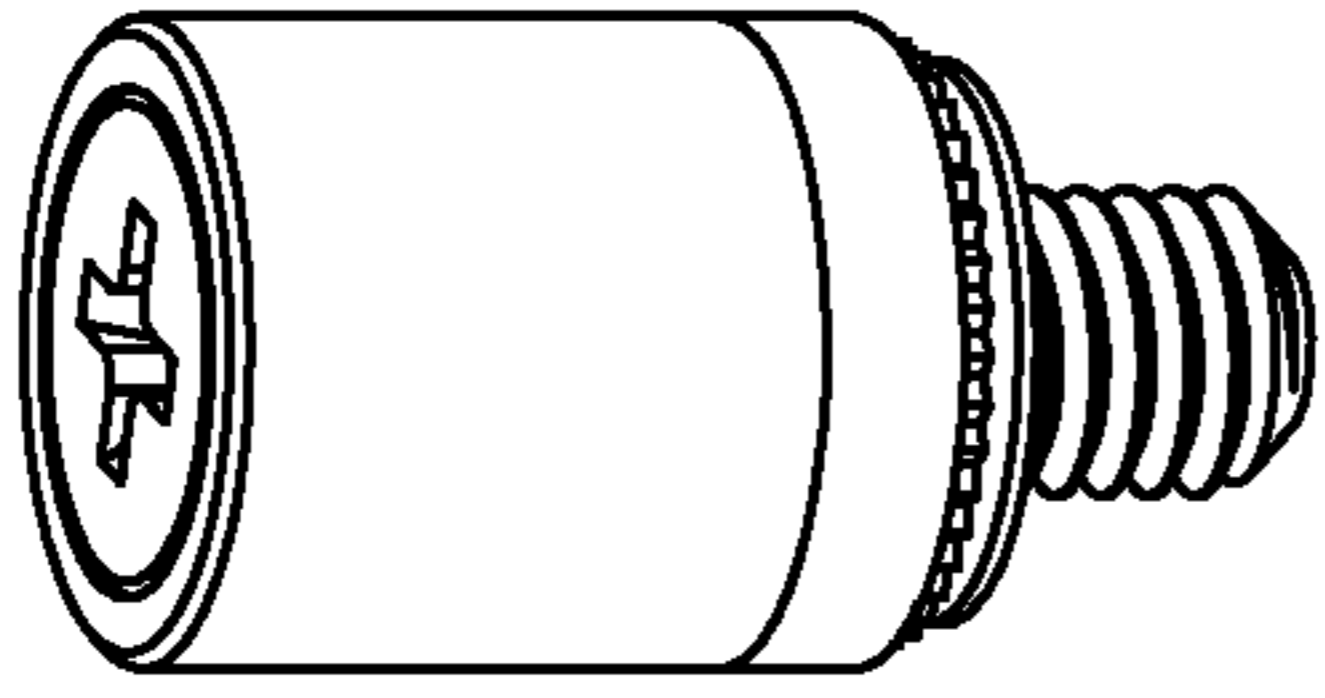


Fig. 2

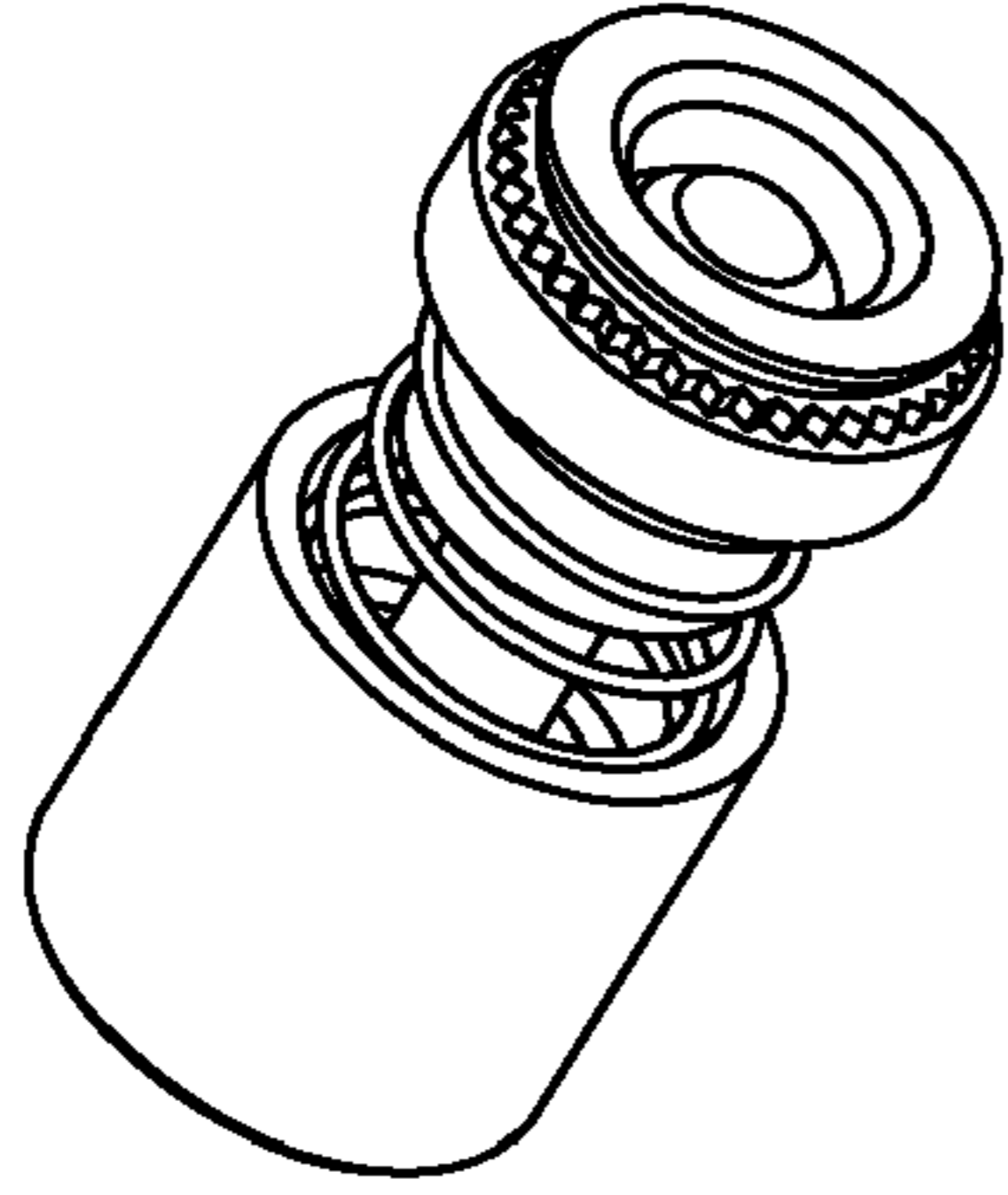


Fig. 3

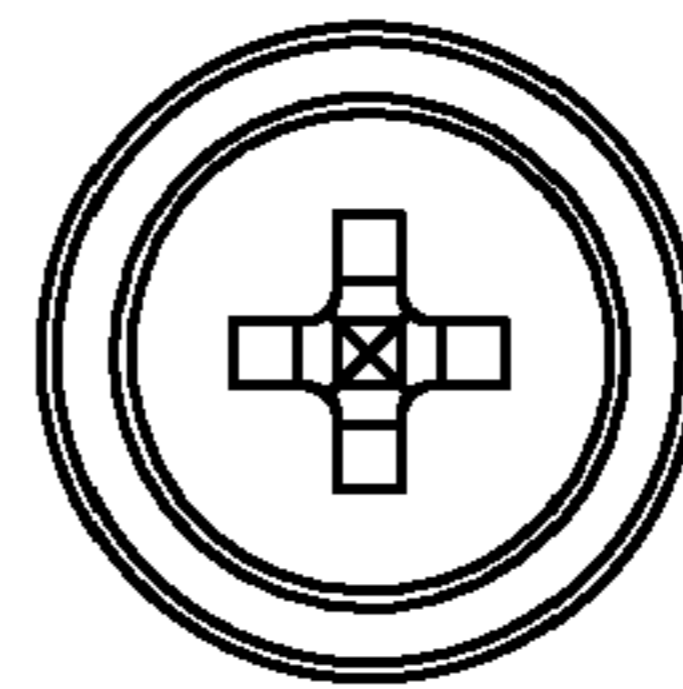


Fig. 4

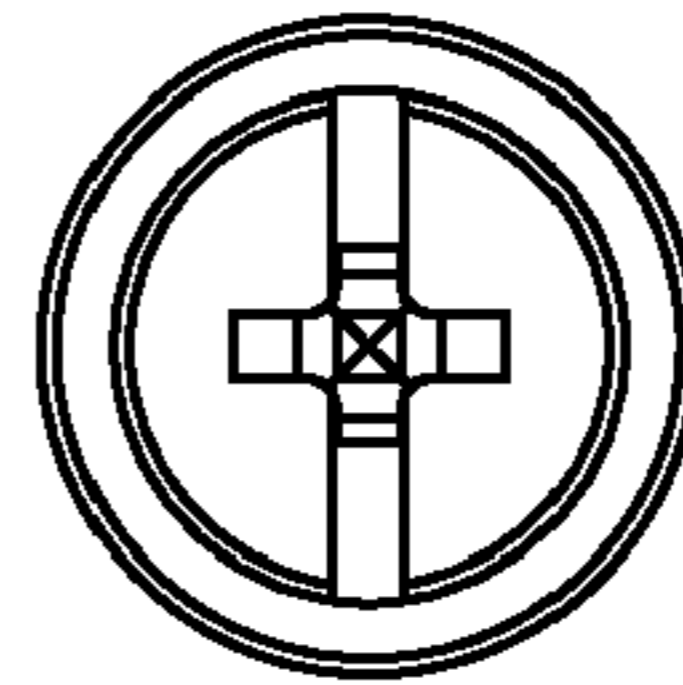


Fig. 5

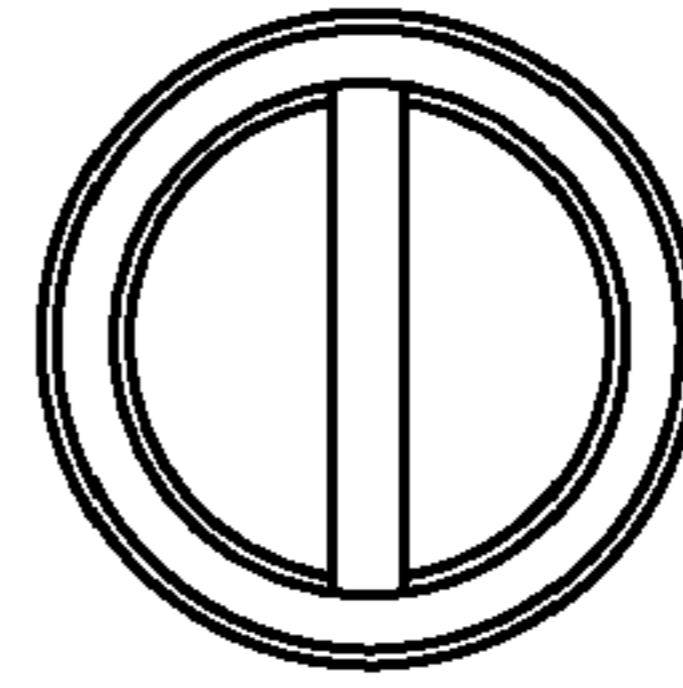


Fig. 6

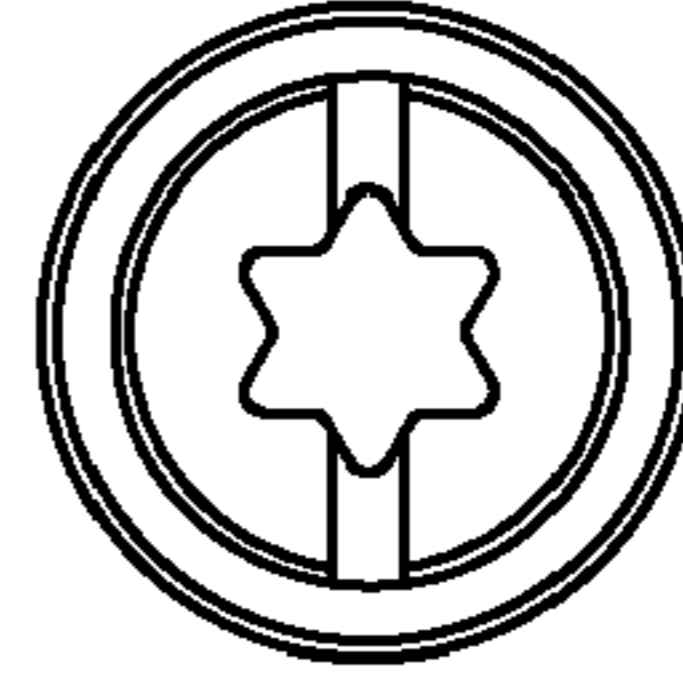


Fig. 7

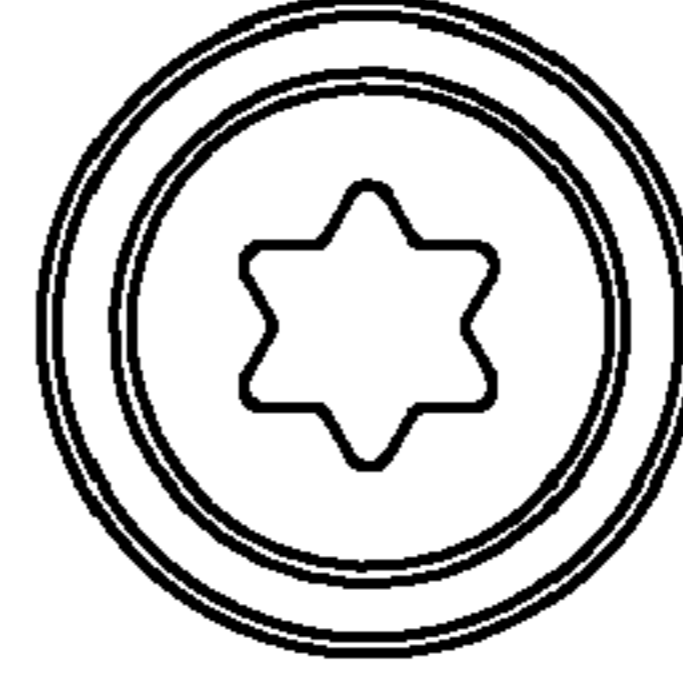


Fig. 8