



US00D627211S

(12) **United States Design Patent**
Hikoyama

(10) **Patent No.:** **US D627,211 S**

(45) **Date of Patent:** **** Nov. 16, 2010**

(54) **PIPE SUPPORT BLOCK**

(75) Inventor: **Atsushi Hikoyama**, Tokyo (JP)

(73) Assignee: **Advance Co., Ltd.**, Tokyo (JP)

(**) Term: **14 Years**

(21) Appl. No.: **29/354,503**

(22) Filed: **Jan. 25, 2010**

(51) **LOC (9) Cl.** **08-05**

(52) **U.S. Cl.** **D8/380**

(58) **Field of Classification Search** D8/382,
D8/381, 380, 373, 360, 359, 358, 354, 349;
D3/24; D15/5, 199, 147, 138; 474/7, 66,
474/47-53, 29, 198, 196, 161; 315/15; 248/638,
248/636, 250, 235, 200; 242/532.6, 530.3,
242/476.6, 118.6; 239/197; 160/315; 137/355.26,
137/355.2, 355.19, 355.16; 108/157.13,
108/147.12-147.17

See application file for complete search history.

(56) **References Cited**

U.S. PATENT DOCUMENTS

D241,612 S * 9/1976 Matousek D8/354
4,698,023 A * 10/1987 Marino 434/259
D367,329 S * 2/1996 Nelson et al. D25/118
5,943,836 A * 8/1999 Kassardjian 52/301

5,947,786 A * 9/1999 Glick 446/85
5,969,952 A * 10/1999 Hayashi et al. 361/774
D417,135 S * 11/1999 McMahon D8/354
D426,454 S * 6/2000 Kampf D8/380
D521,851 S * 5/2006 Smart D8/354
D571,643 S * 6/2008 Newman D8/380
D600,541 S * 9/2009 Steppat et al. D8/380

* cited by examiner

Primary Examiner—Susan Bennett Hattan

(74) *Attorney, Agent, or Firm*—Apex Juris, pllc; Tracy M Heims

(57) **CLAIM**

The ornamental design for a pipe support block, as shown.

DESCRIPTION

FIG. 1 is a front perspective view of a pipe support block showing my new design;

FIG. 2 is a right or a left side elevational view of FIG. 1;

FIG. 3 is a right or a left side elevational view of FIG. 1;

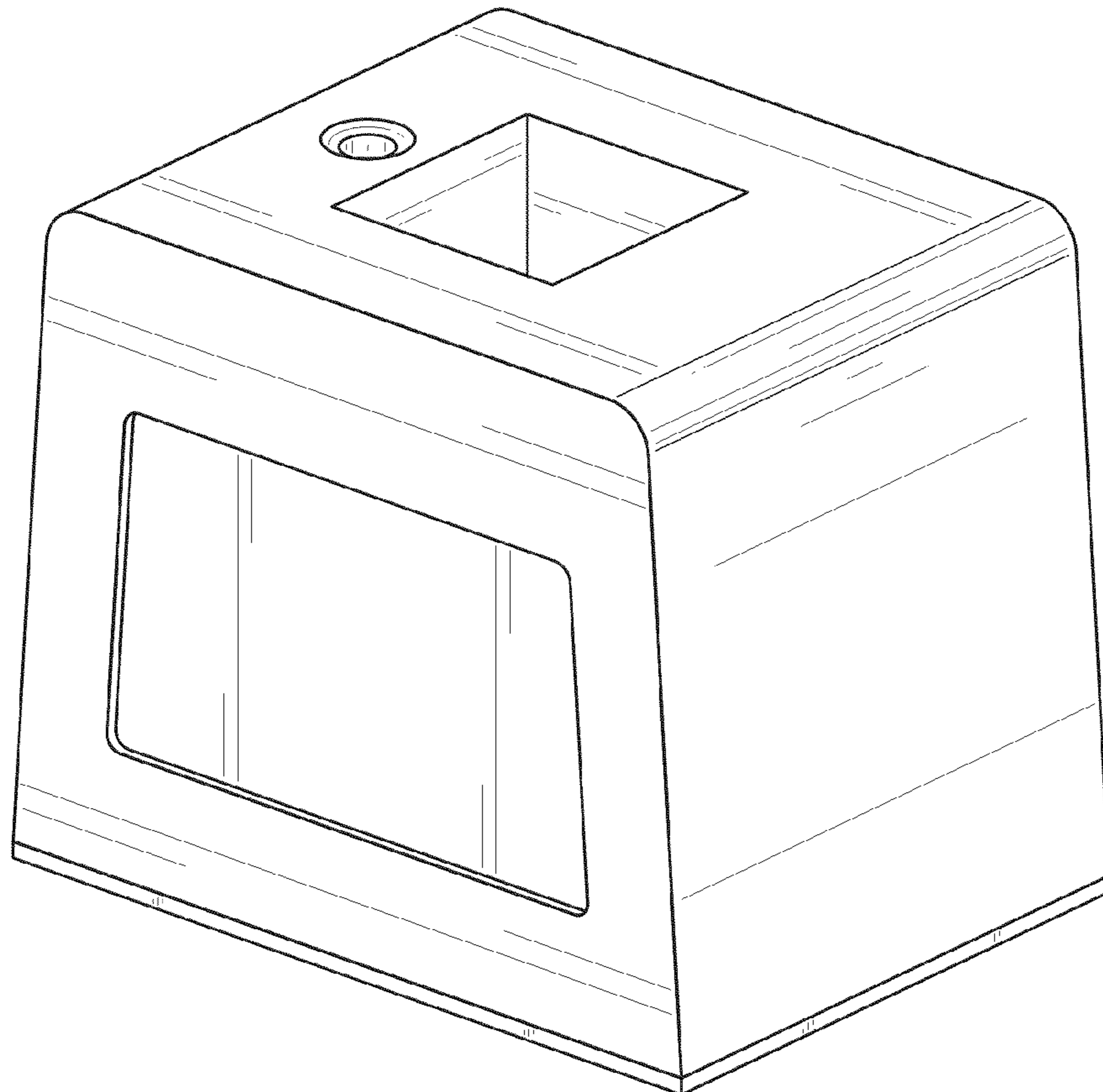
FIG. 4 is a front view of FIG. 1;

FIG. 5 is a back view of FIG. 1;

FIG. 6 is a top plane view of FIG. 1; and,

FIG. 7 is a bottom plane view of FIG. 1.

1 Claim, 7 Drawing Sheets



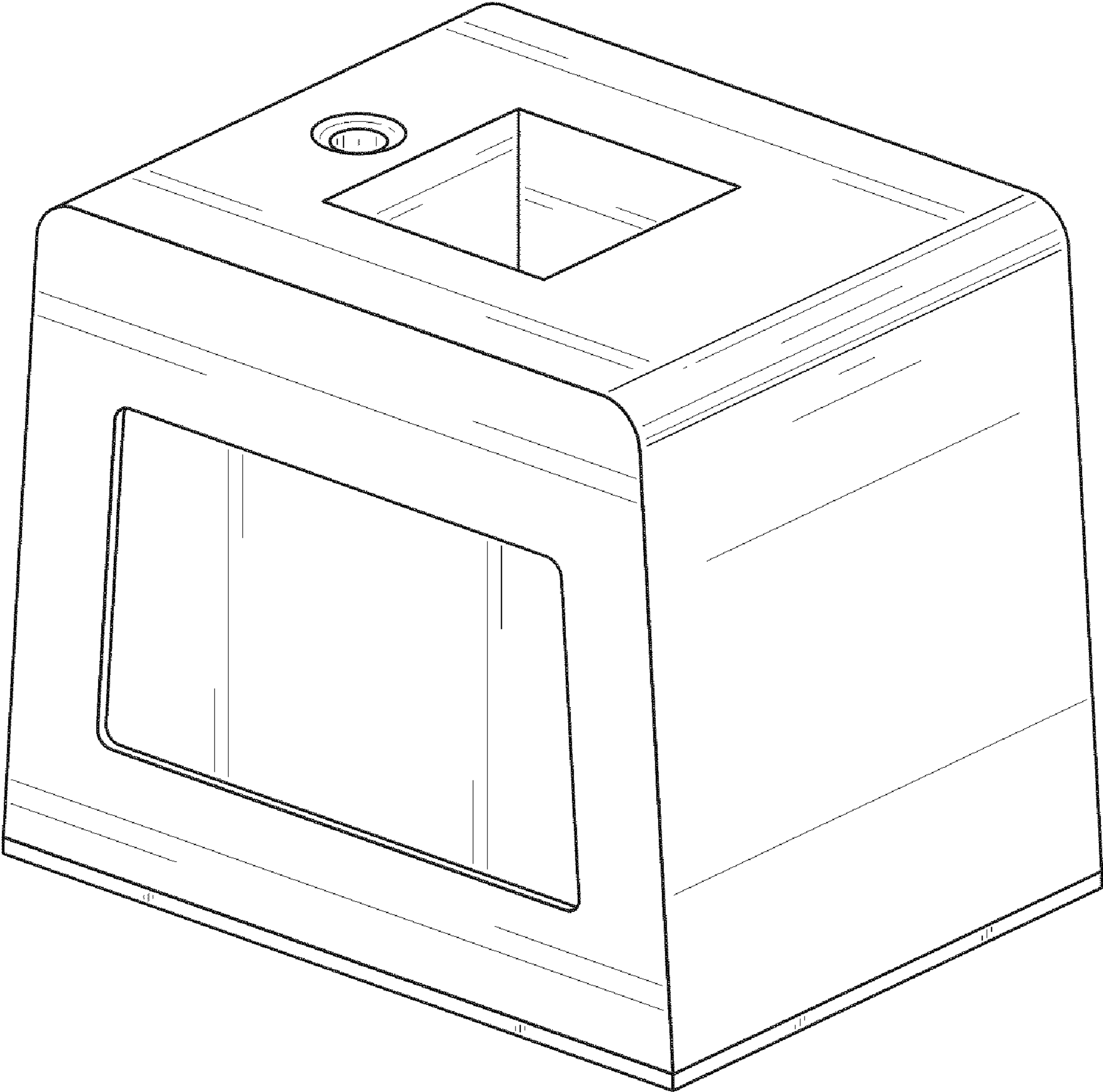


FIG. 1

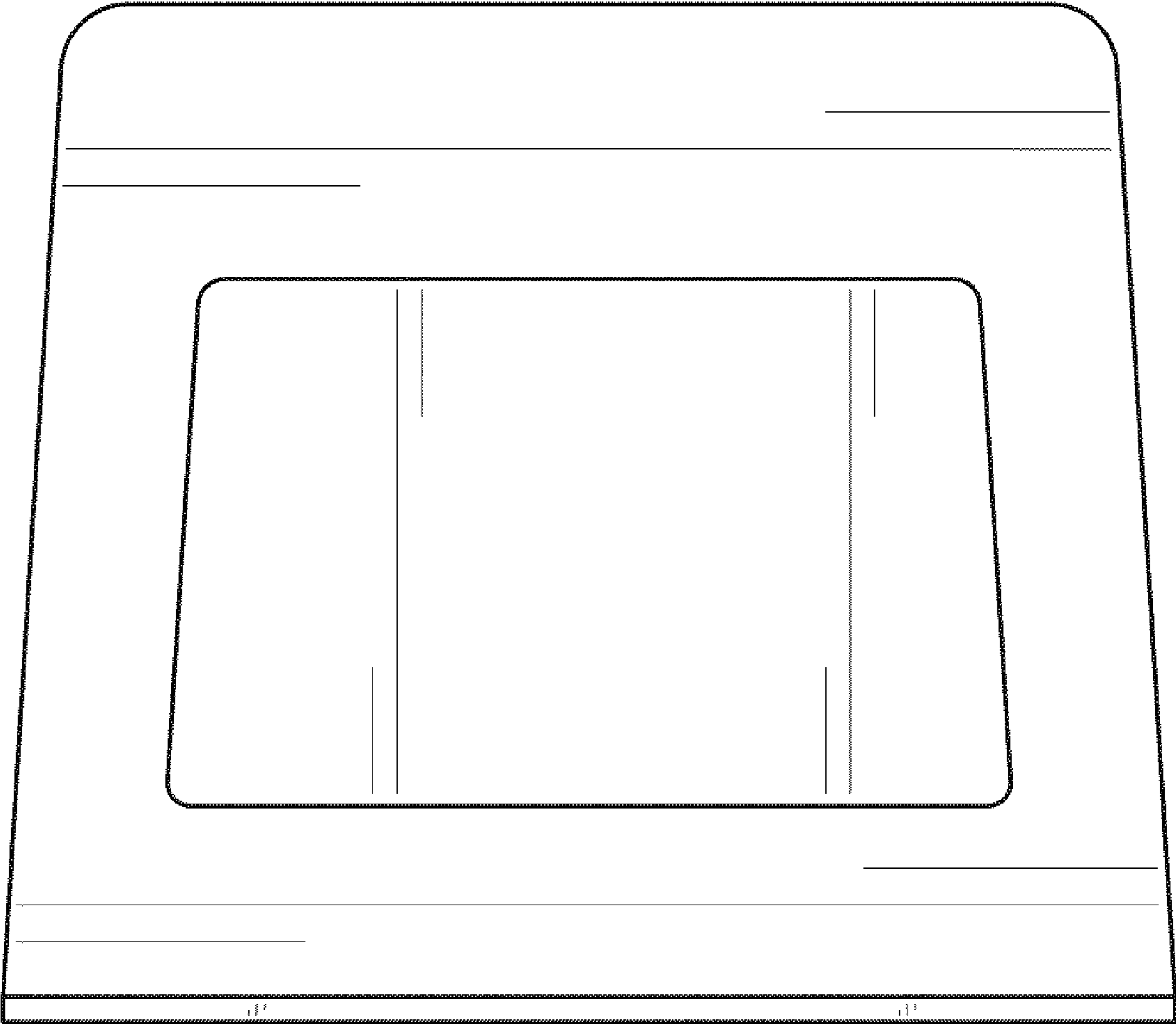


FIG. 2

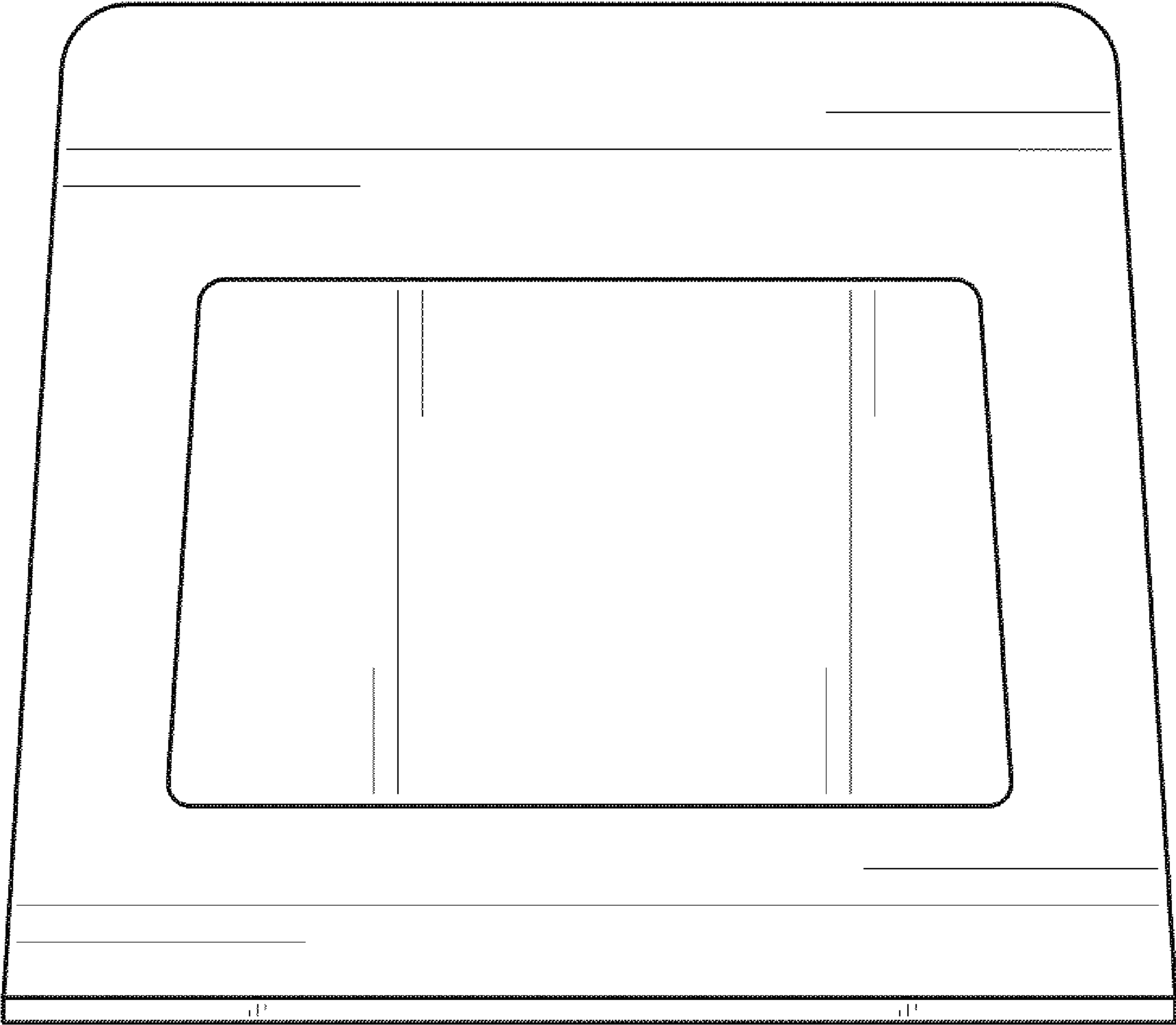


FIG. 3

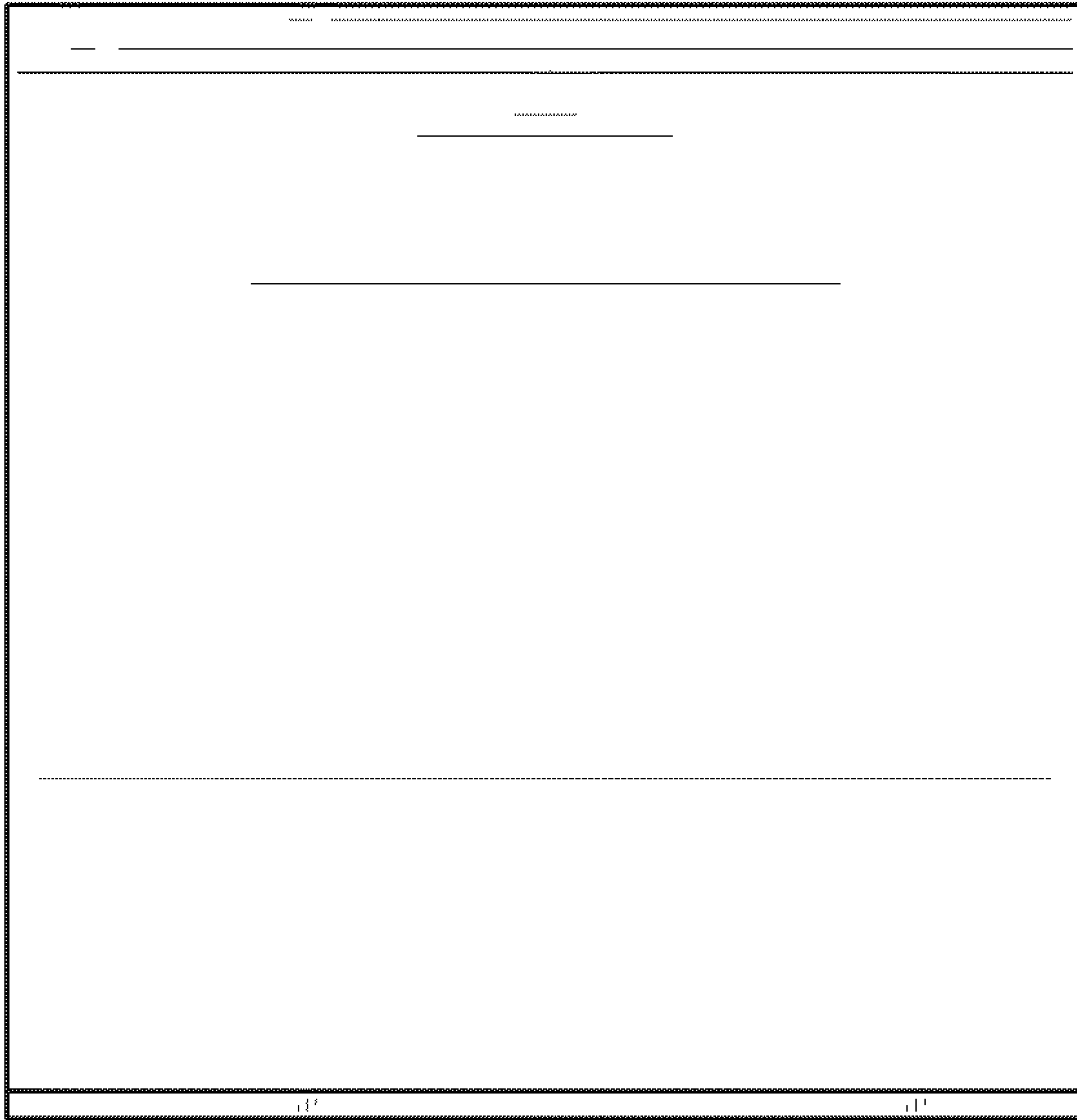


FIG. 4

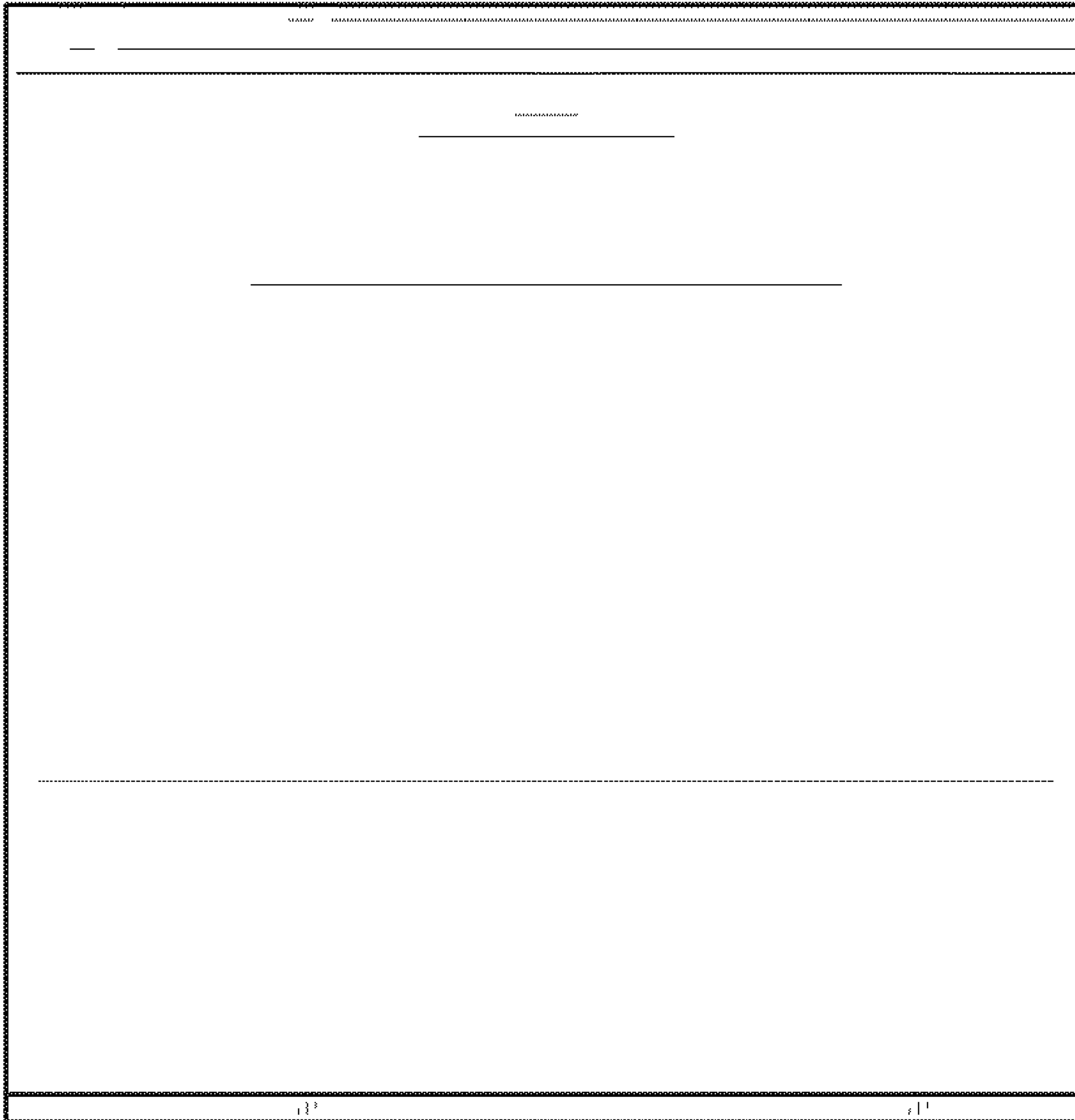


FIG. 5

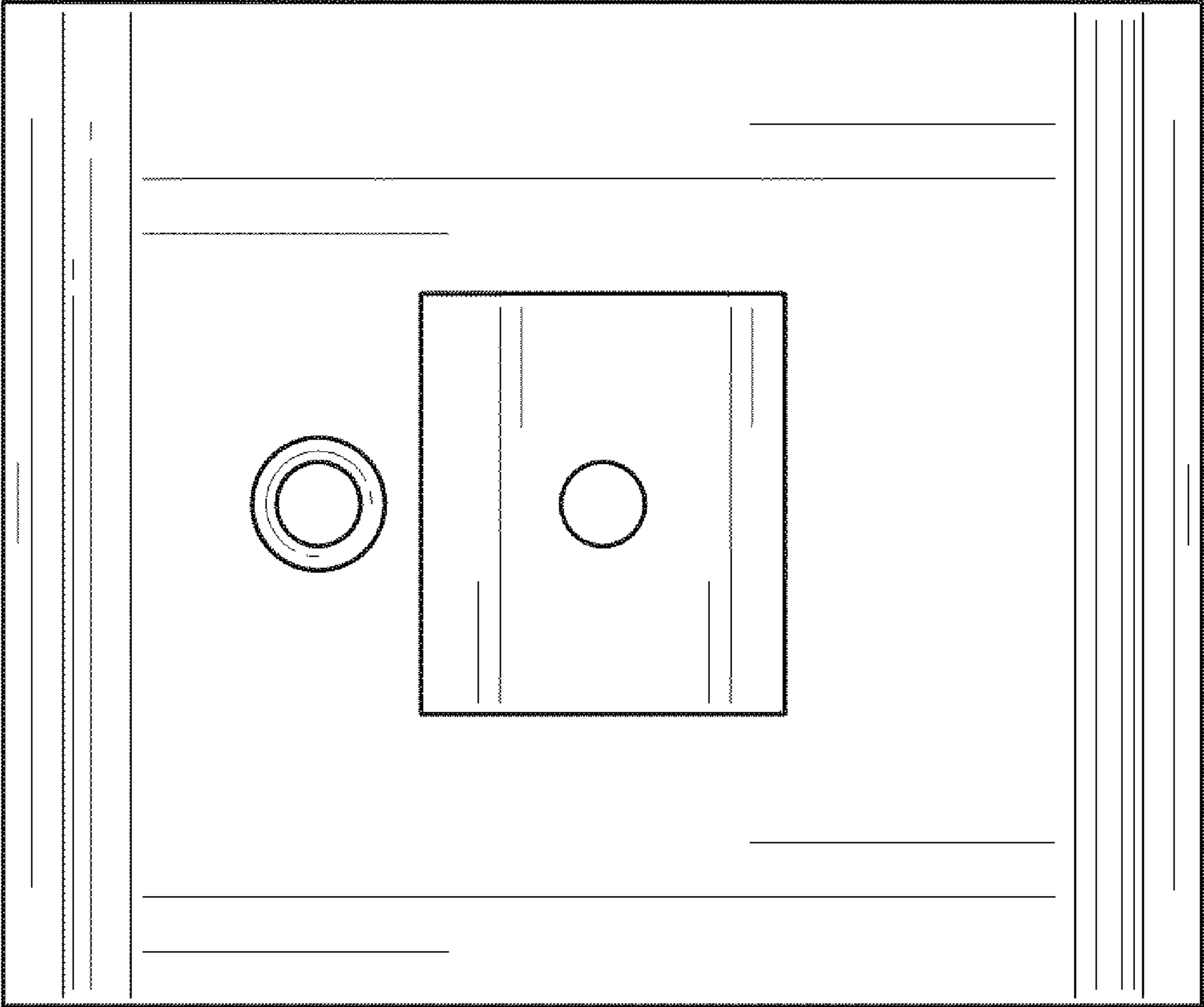


FIG. 6

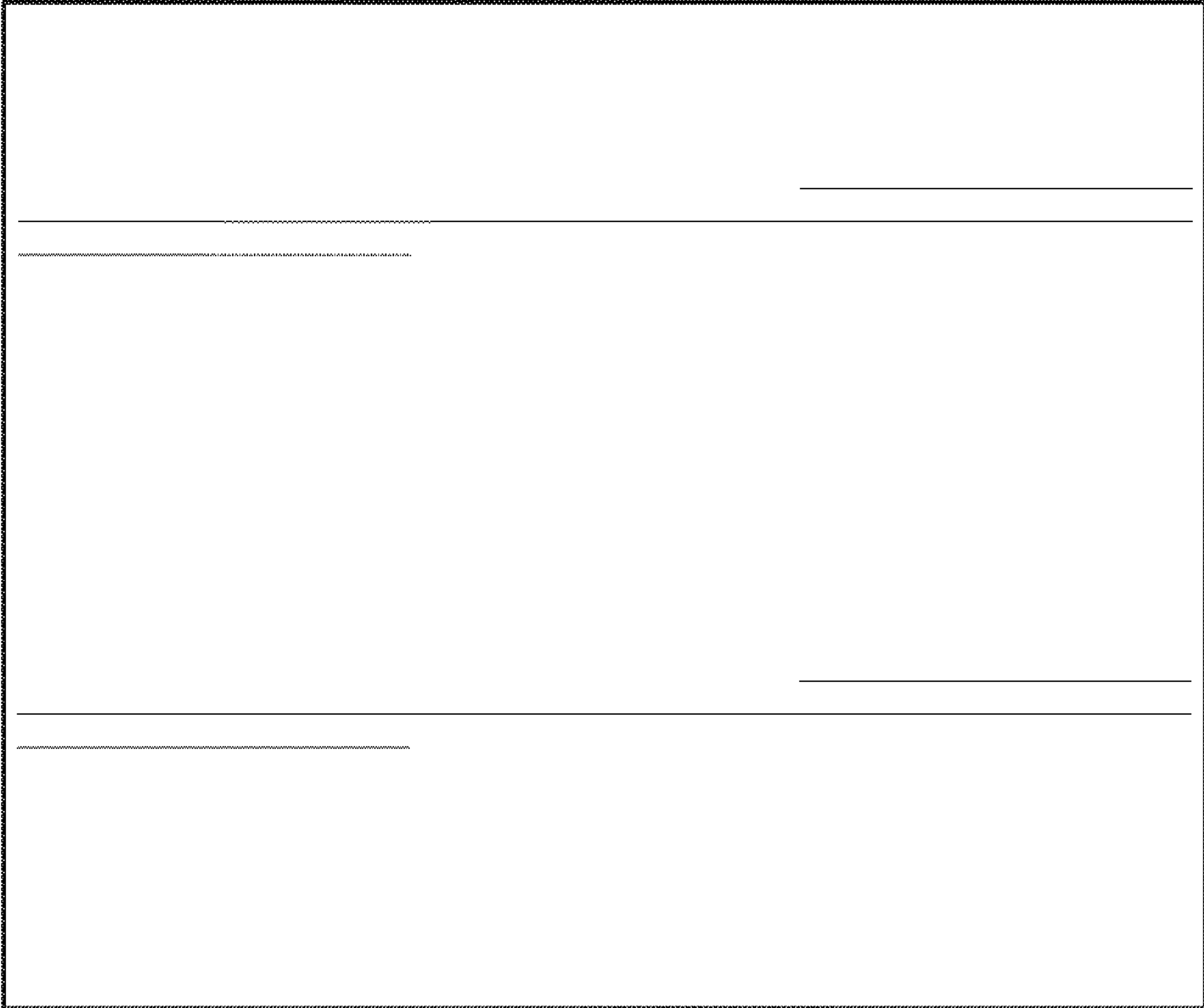


FIG. 7