



US00D627210S

(12) **United States Design Patent**  
**Williams**

(10) **Patent No.:** **US D627,210 S**  
(45) **Date of Patent:** **\*\* Nov. 16, 2010**

(54) **SOLID LOOP LIFTER FOR CONCRETE STRUCTURES**

D398,836 S \* 9/1998 Kalat ..... D8/370  
D515,827 S \* 2/2006 Steendyk ..... D6/317

(75) Inventor: **Craig B. Williams**, Concord, GA (US)

\* cited by examiner

(73) Assignee: **American Step Company, Inc.**,  
Concord, GA (US)

*Primary Examiner*—Holly H Baynham  
(74) *Attorney, Agent, or Firm*—Hovey Williams LLP

(\*\*) Term: **14 Years**

(57) **CLAIM**

(21) Appl. No.: **29/359,825**

The ornamental design for a solid loop lifter for concrete structures, as shown and described.

(22) Filed: **Apr. 15, 2010**

**DESCRIPTION**

**Related U.S. Application Data**

(63) Continuation of application No. 29/342,091, filed on Aug. 18, 2009, now Pat. No. Des. 615,849.

FIG. 1 is a front isometric view of a solid loop lifter for concrete structures embodying my design;

(51) **LOC (9) Cl.** ..... **08-05**

FIG. 2 is a front elevational view thereof;

(52) **U.S. Cl.** ..... **D8/370**

FIG. 3 is a rear elevational view thereof;

(58) **Field of Classification Search** ..... D8/354,  
D8/370; 52/712, 719; 248/302–303

FIG. 4 is a left side elevational view thereof;

See application file for complete search history.

FIG. 5 is a right side elevational view thereof;

(56) **References Cited**

FIG. 6 is a top plan view thereof; and,

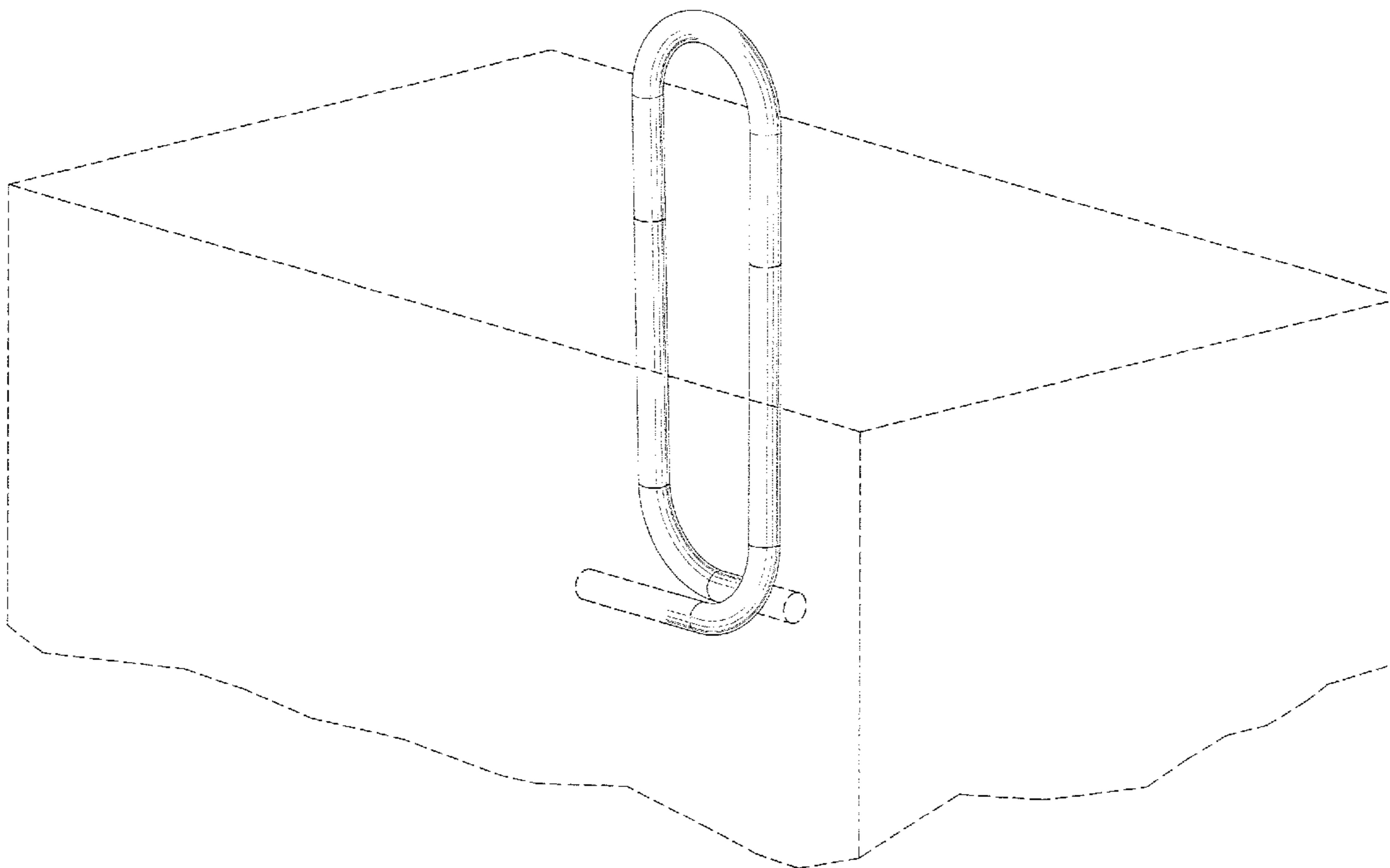
**U.S. PATENT DOCUMENTS**

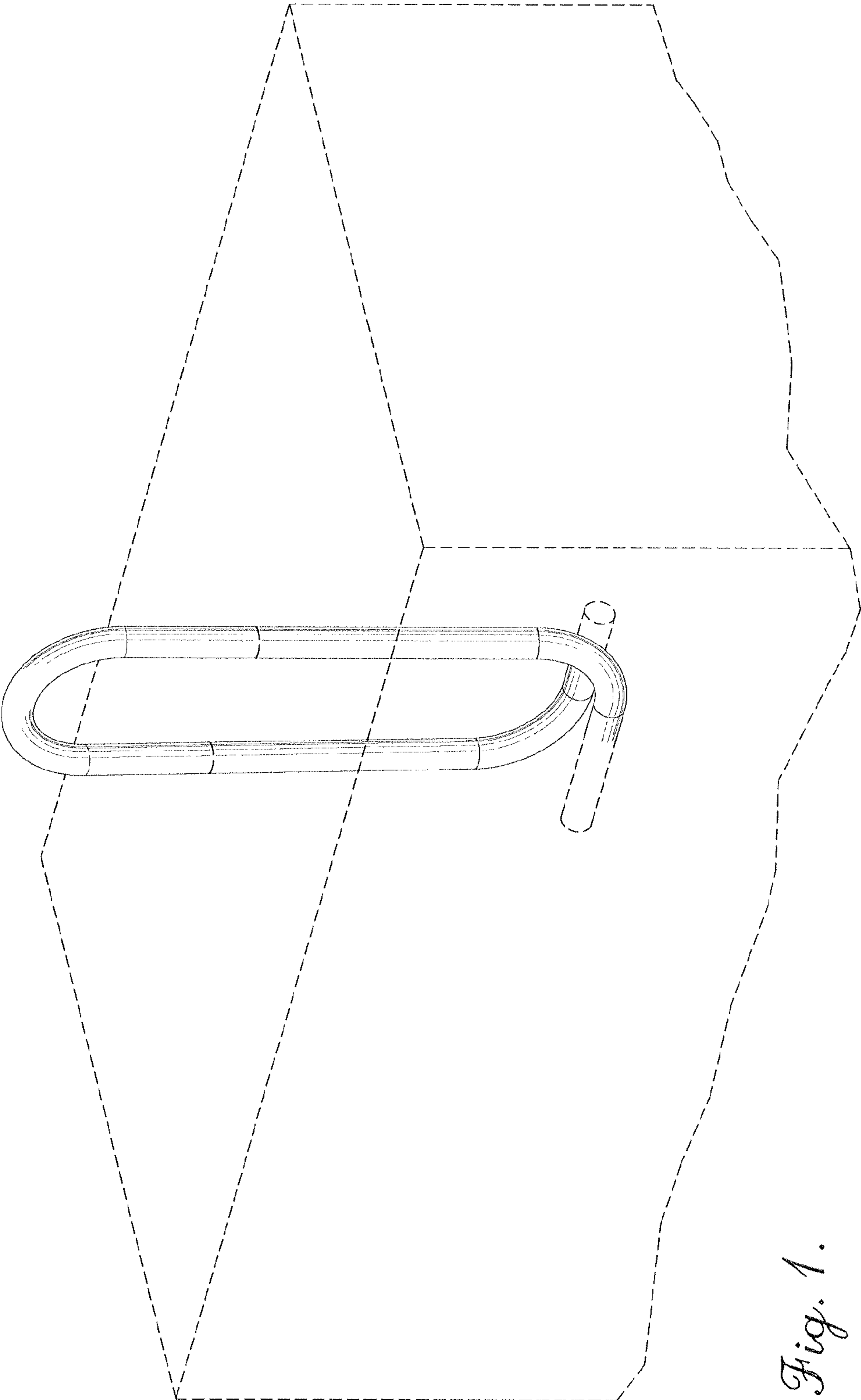
FIG. 7 is a bottom plan view thereof.

1,580,847 A \* 4/1926 Moineau ..... 248/302  
3,578,226 A \* 5/1971 Good ..... 294/137  
D379,920 S \* 6/1997 Bozzo ..... D8/368

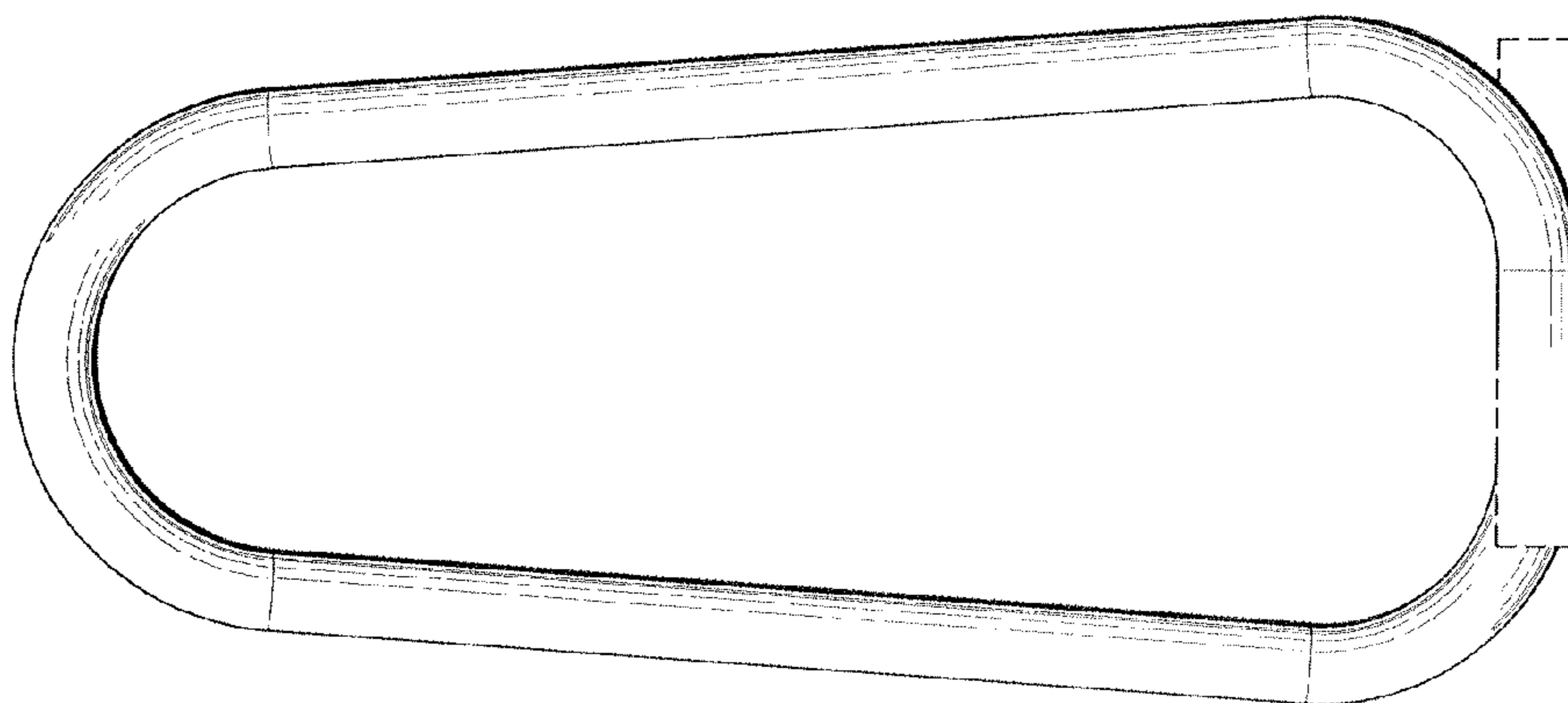
The broken lines immediately adjacent the shaded areas represent the bounds of the claim and all other broken lines are for illustrative purposes only. None of the broken lines form part of the claimed design.

**1 Claim, 3 Drawing Sheets**

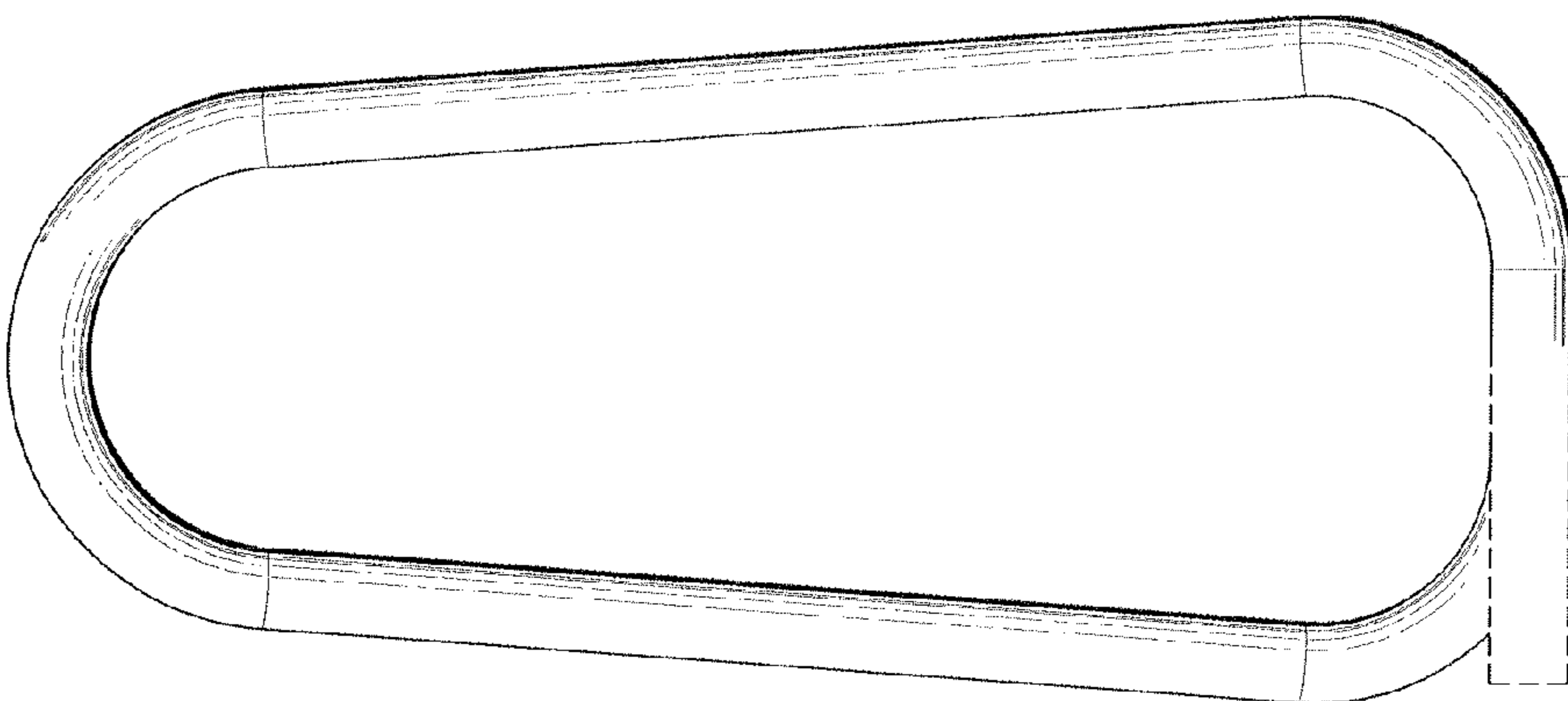




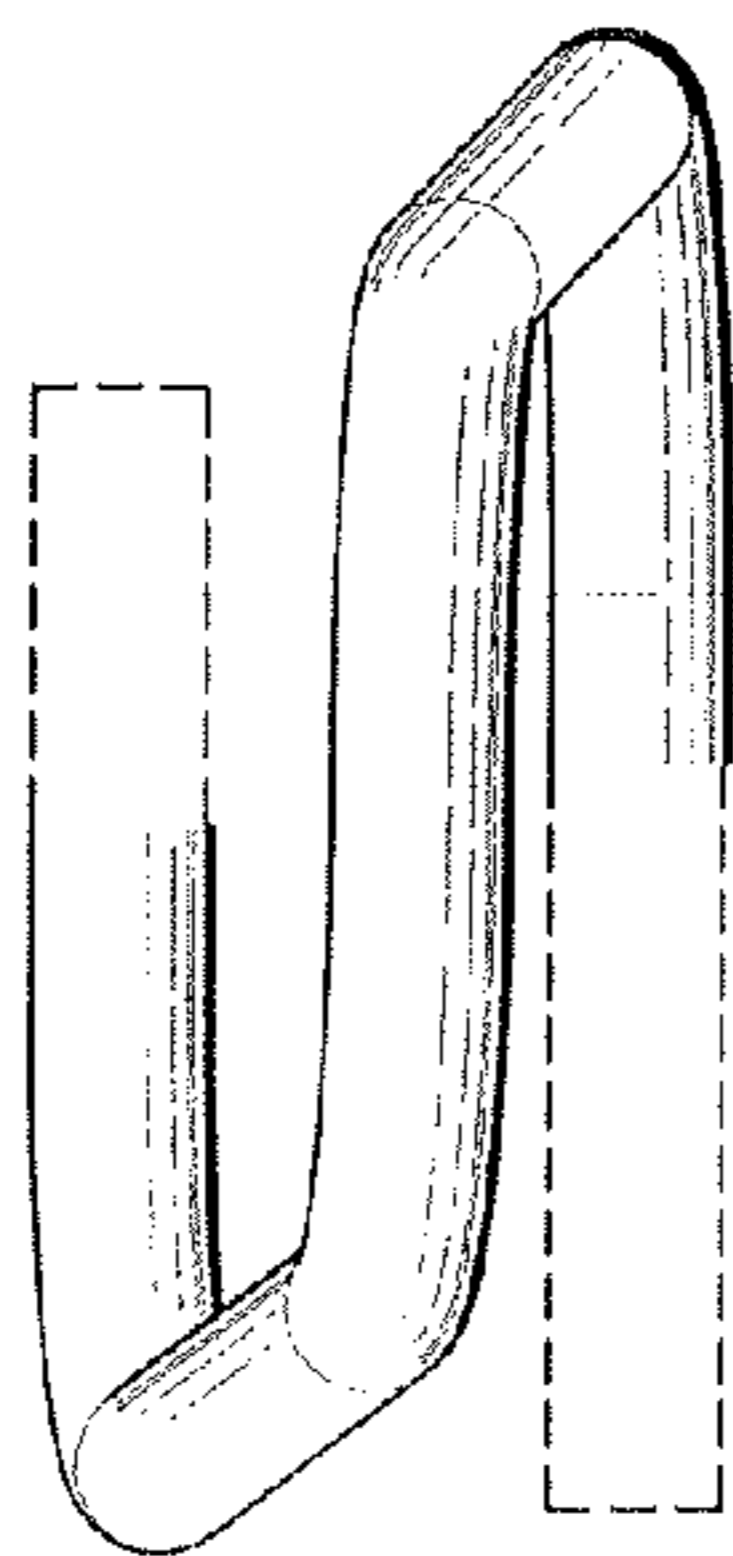
*Fig. 1.*



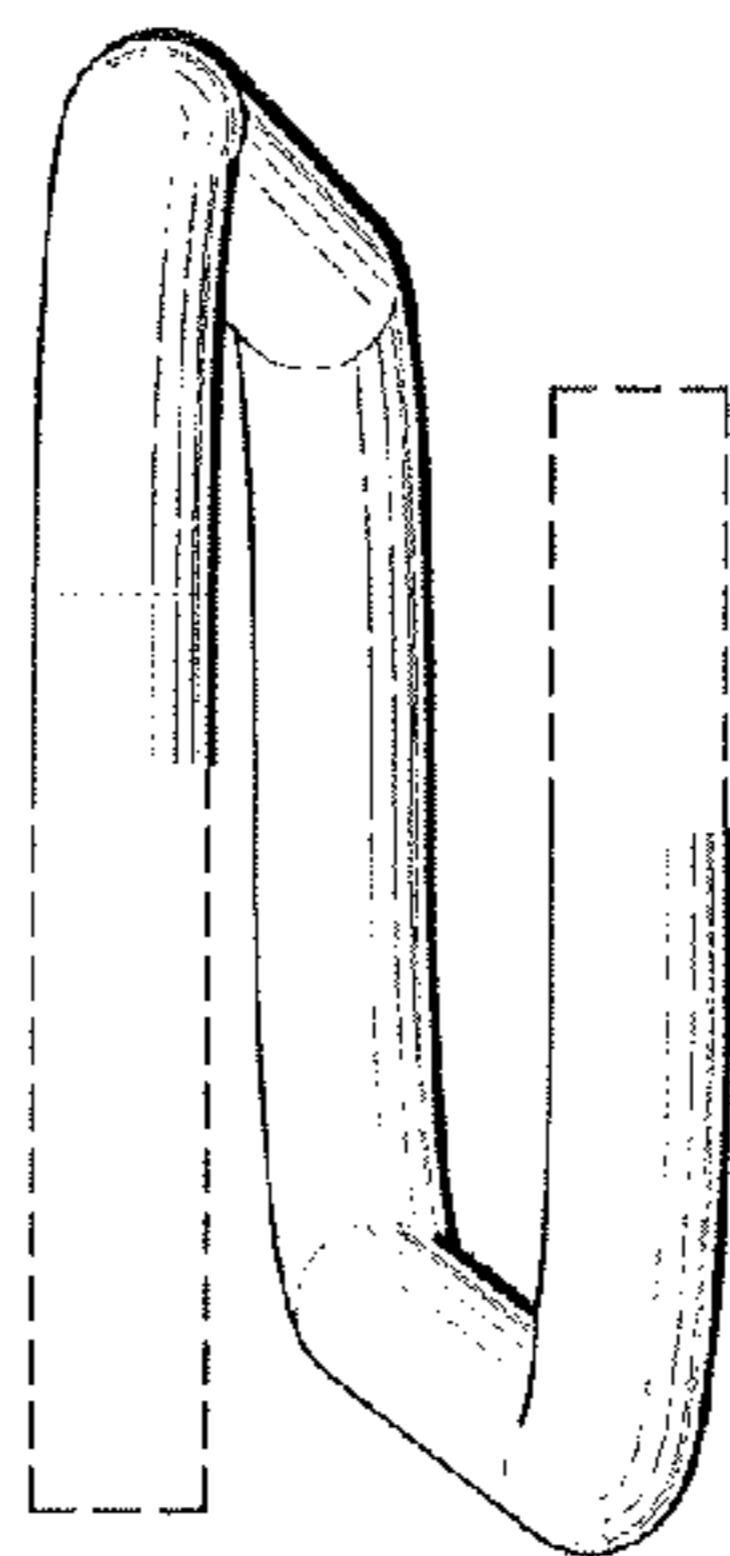
*Fig. 3.*



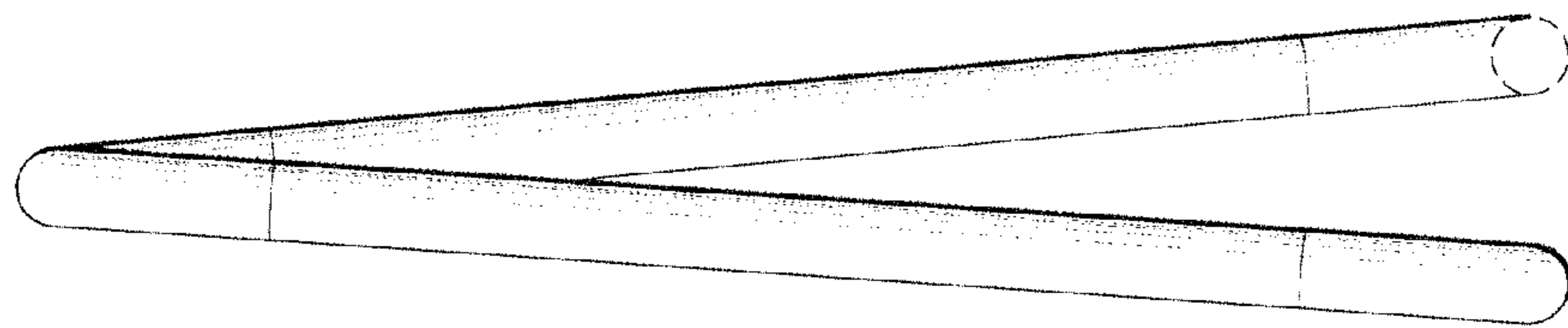
*Fig. 2.*



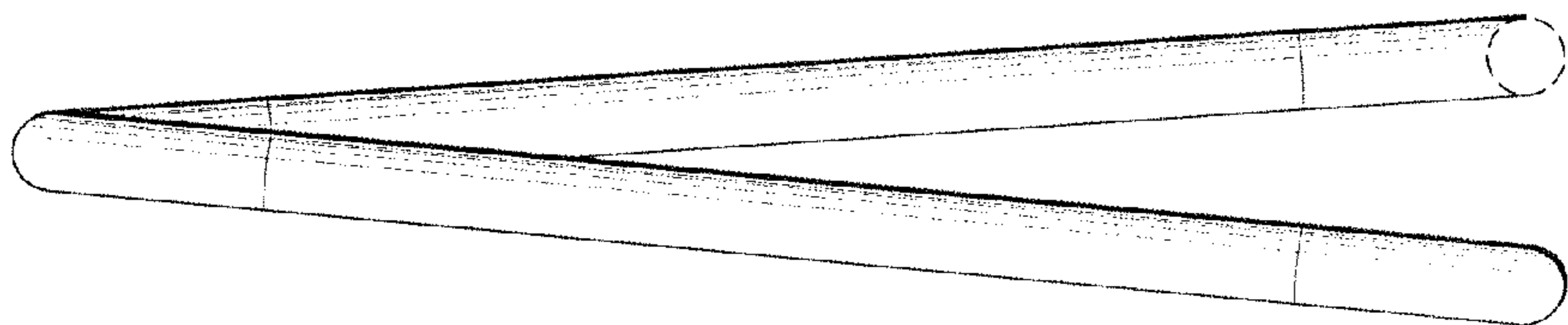
*Fig. 6.*



*Fig. 7.*



*Fig. 5.*



*Fig. 4.*