



US00D627207S

(12) **United States Design Patent**
Chen

(10) **Patent No.:** **US D627,207 S**

(45) **Date of Patent:** **** Nov. 16, 2010**

(54) **SOCKET HOLDING BRACKET**

D592,938 S * 5/2009 Pae et al. D8/356
7,612,286 B2 * 11/2009 Lipp et al. 174/68.1

(76) Inventor: **Bo-Shen Chen**, No. 33-33, Lane 320,
Sec. 1, Shatian Rd., Dadu Township,
Taichung County 432 (TW)

* cited by examiner

Primary Examiner—Melody N Brown

(**) Term: **14 Years**

(57) **CLAIM**

(21) Appl. No.: **29/346,888**

The ornamental design for a socket holding bracket, as shown and described.

(22) Filed: **Nov. 8, 2009**

DESCRIPTION

(51) **LOC (9) Cl.** **08-05**

FIG. 1 is a perspective view of a socket holding bracket showing my new design;

(52) **U.S. Cl.** **D8/354**

FIG. 2 is a front elevational view thereof;

(58) **Field of Classification Search** D8/349,
D8/354, 356, 366, 373, 380, 382, 394, 395,
D8/381, 363, 367; D25/121; D13/154, 155;
D14/253; D10/72; 242/608.4, 608.8, 600,
242/601, 570, 370, 395; 248/264, 251, 300,
248/916; 137/355.23, 355.27; 104/113;
174/68.1, 68.3, 72 A, 101

FIG. 3 is a rear elevational view thereof;

FIG. 4 is a left side elevational view thereof;

FIG. 5 is a right side elevational view thereof;

FIG. 6 is a top plan view thereof;

FIG. 7 is a bottom plan view thereof; and,

FIG. 8 is a perspective view thereof showing the bracket in use.

See application file for complete search history.

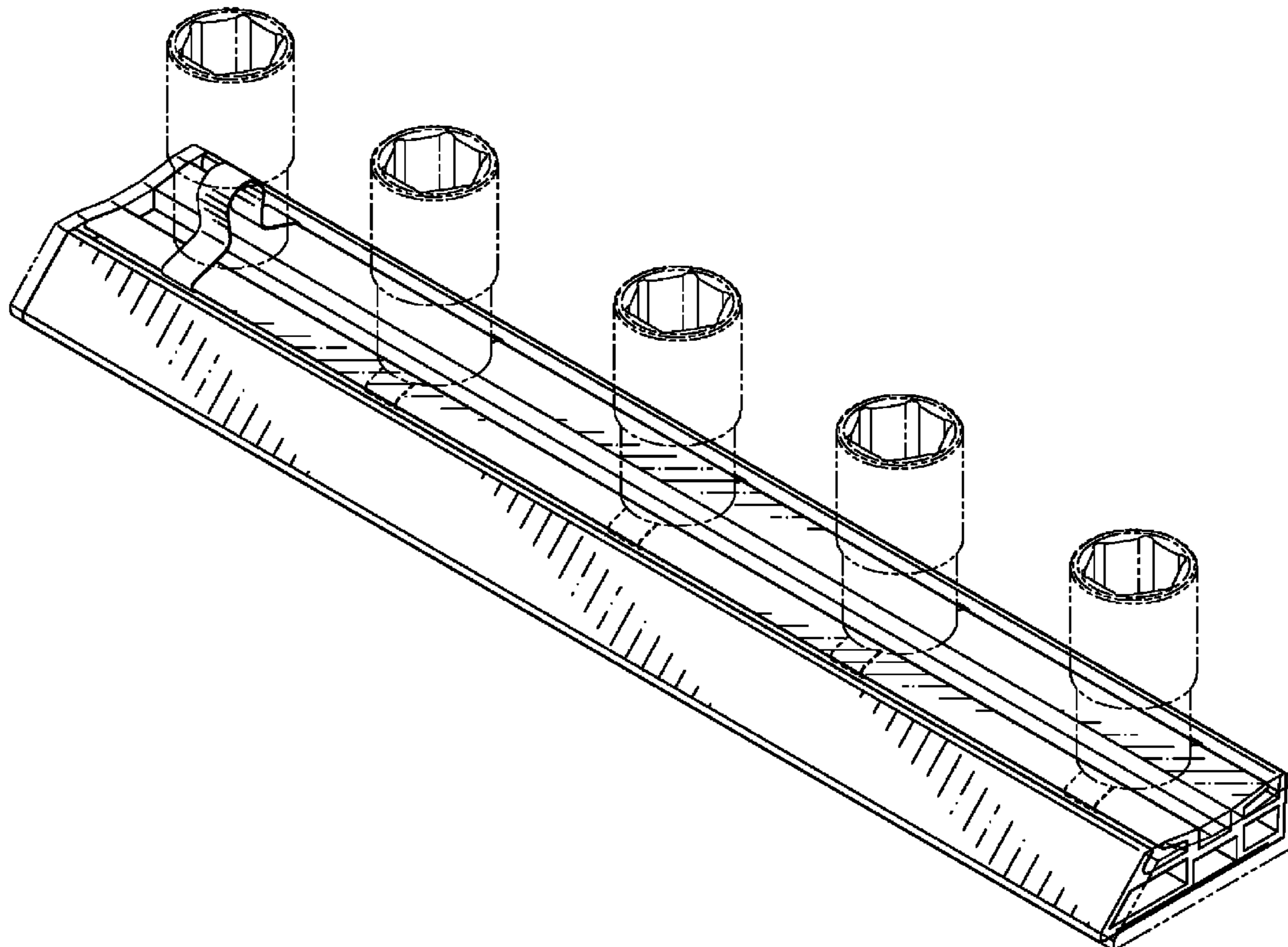
The broken lines are intended to show features that are environmental only and form no part of the claimed design.

(56) **References Cited**

U.S. PATENT DOCUMENTS

D404,010 S * 1/1999 Viklund et al. D13/155
D457,052 S * 5/2002 Snyder D8/349
D574,970 S * 8/2008 Taylor et al. D25/121

1 Claim, 7 Drawing Sheets



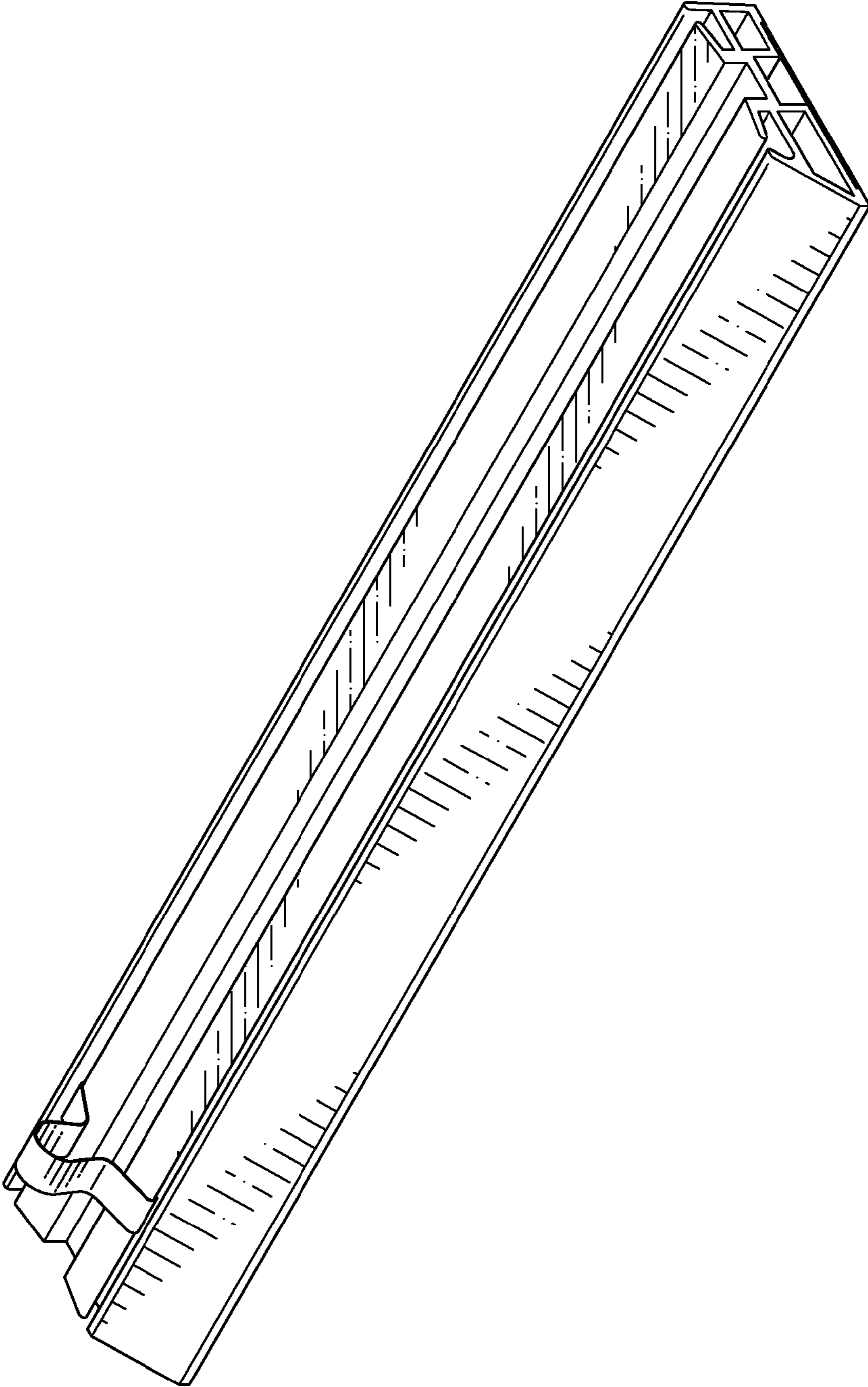


FIG. 1

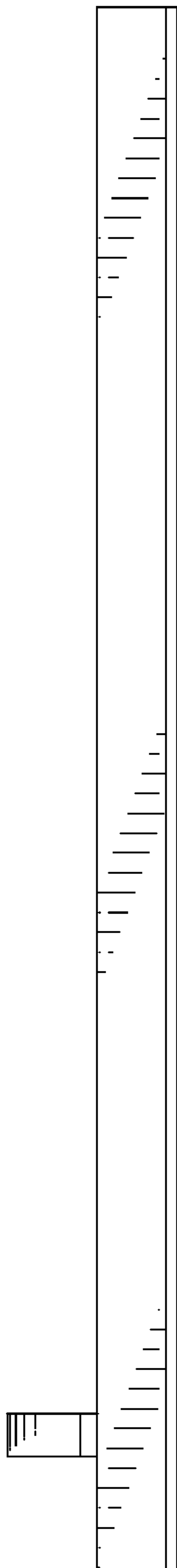


FIG. 2

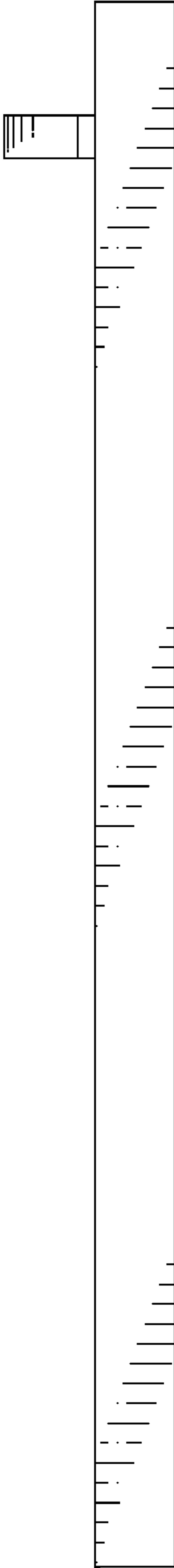


FIG. 3

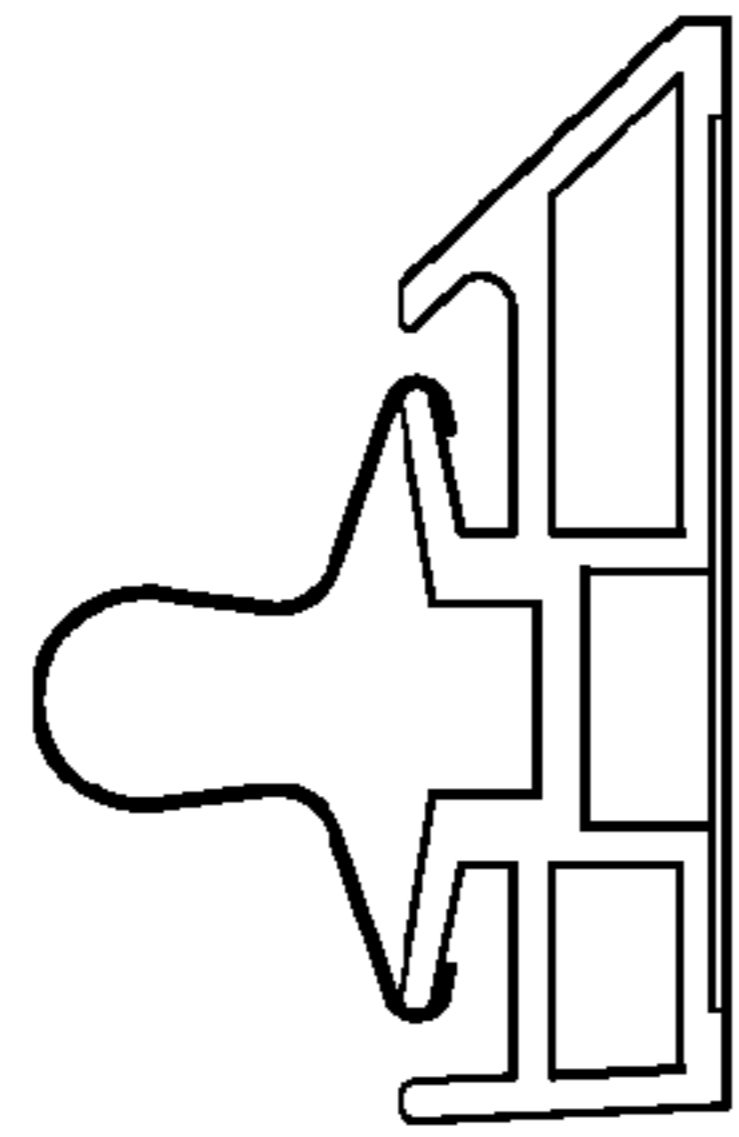


FIG. 4

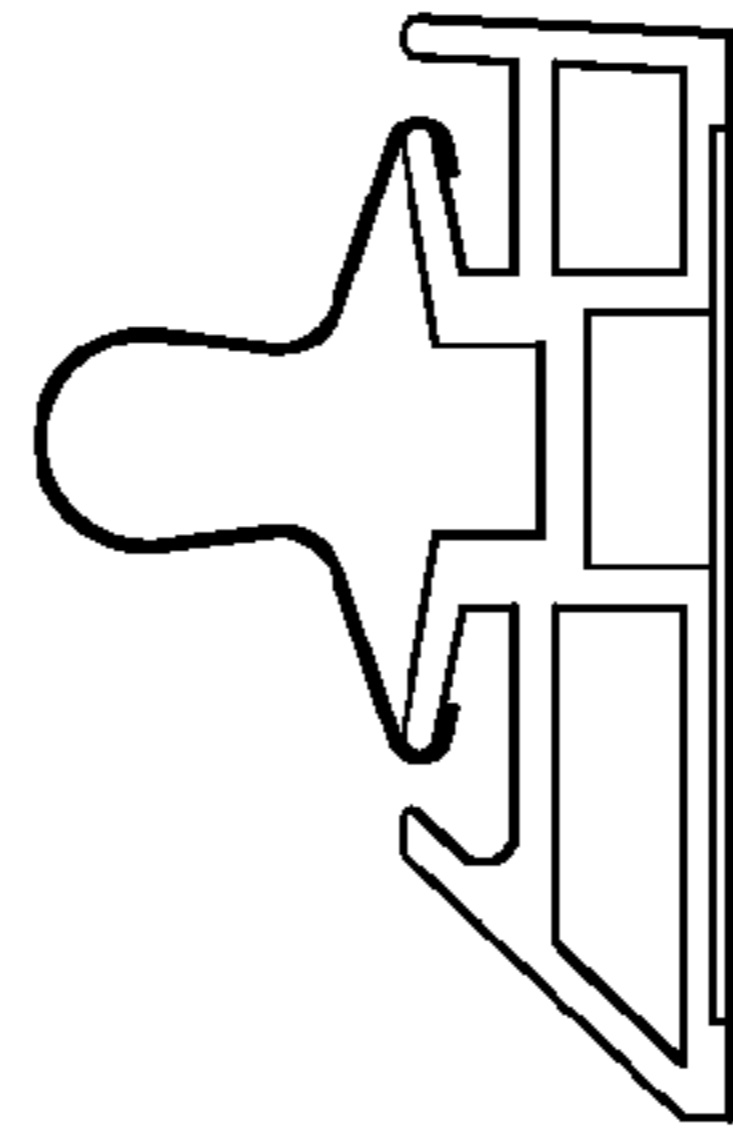


FIG. 5

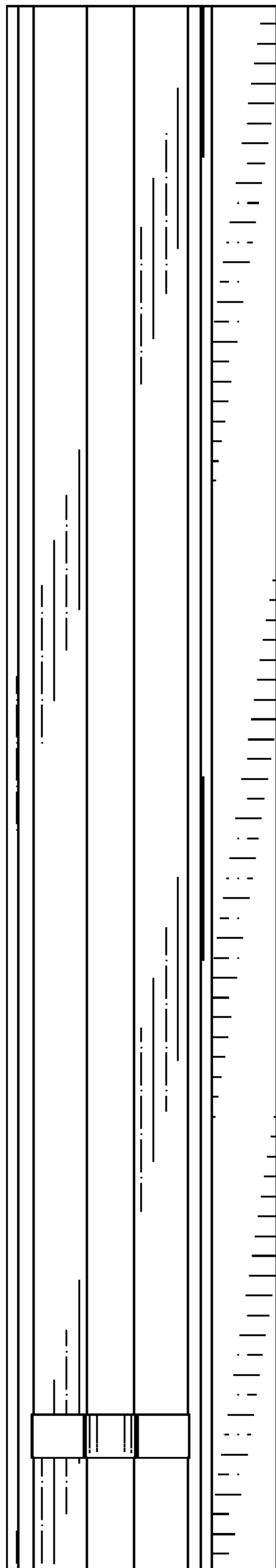


FIG. 6

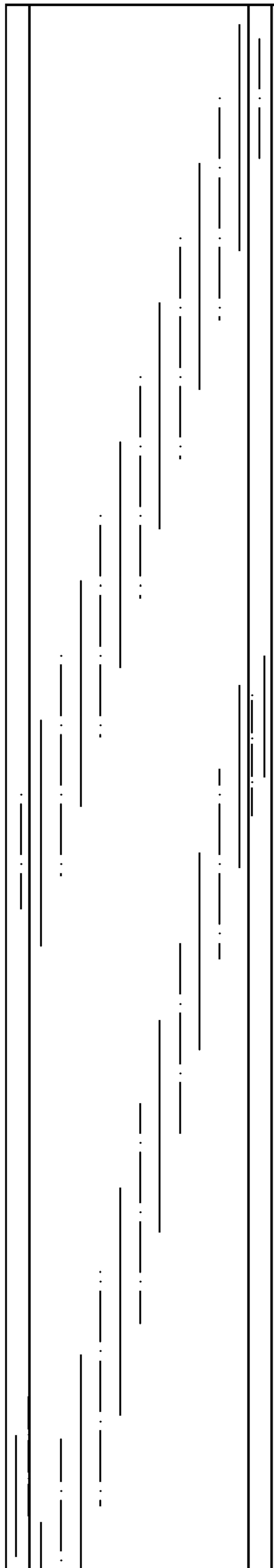


FIG. 7

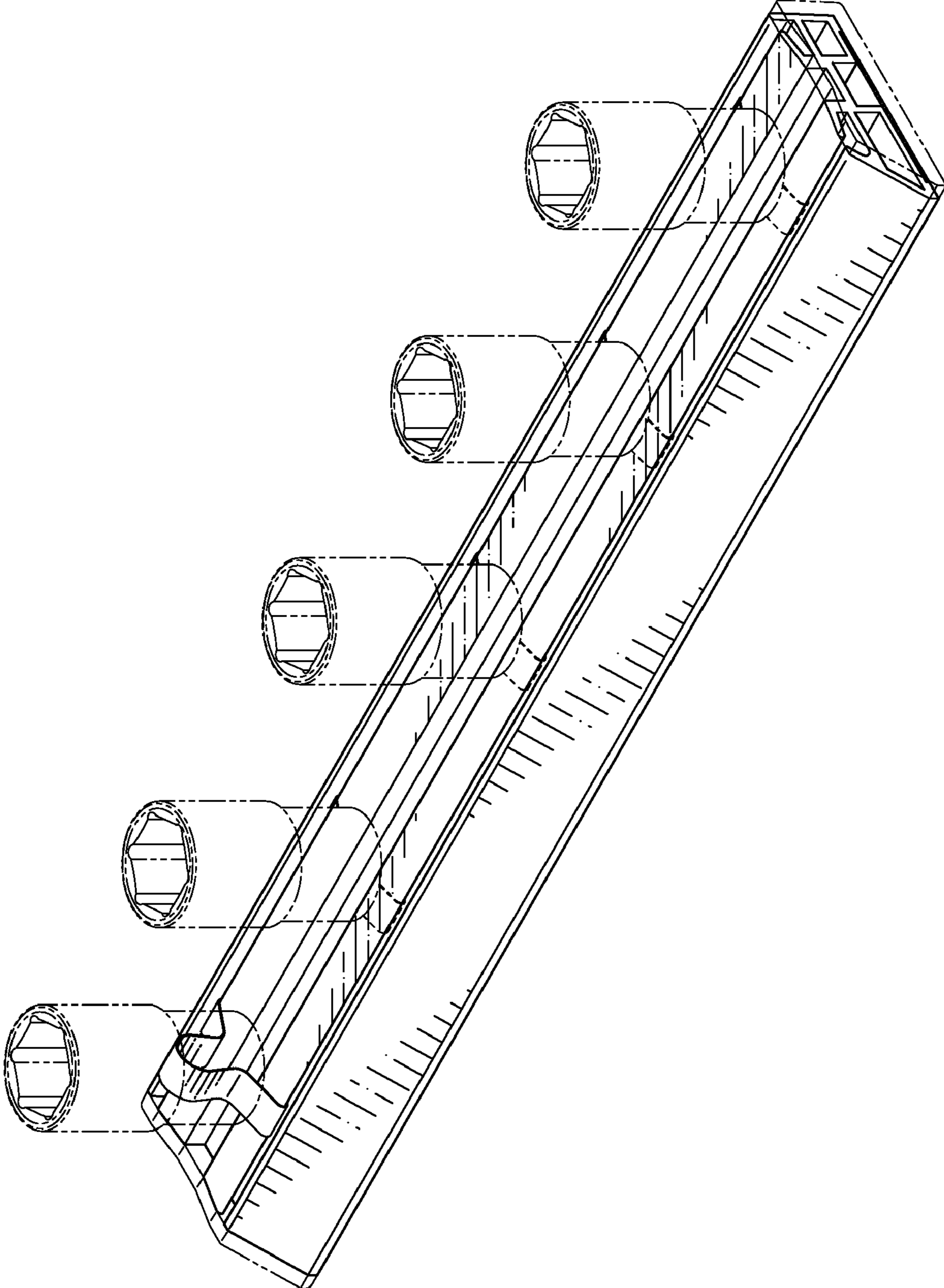


FIG. 8