



US00D627204S

(12) **United States Design Patent**  
**Harrison et al.**

(10) **Patent No.:** **US D627,204 S**  
(45) **Date of Patent:** **\*\* Nov. 16, 2010**

(54) **BATTERY PACK RECEIVING AREA AND CONNECTION TERMINALS FOR A HIGH CURRENT DRAW DEVICE**

(75) Inventors: **Ryan Harrison**, Anderson, SC (US);  
**Taku Ohi**, Greer, SC (US)

(73) Assignee: **Techtronic Power Tools Technology Limited**, Tortola (VG)

(\*\*) Term: **14 Years**

(21) Appl. No.: **29/314,346**

(22) Filed: **Mar. 23, 2009**

(51) **LOC (9) Cl.** ..... **08-05**

(52) **U.S. Cl.** ..... **D8/70**

(58) **Field of Classification Search** ..... D10/46;  
D8/70; 320/107, 112-114; 429/98-100;  
439/142

See application file for complete search history.

(56) **References Cited**

**U.S. PATENT DOCUMENTS**

D340,912 S	11/1993	Miller
D464,622 S	10/2002	Donnelly
D482,365 S	11/2003	Yamagishi et al.
D582,417 S	12/2008	Sheba et al.
D582,419 S	12/2008	Sheba et al.
7,557,534 B2 *	7/2009	Uehlein-Proctor et al. .. 320/112
7,753,244 B2 *	7/2010	Nagata ..... 227/120
7,759,899 B2 *	7/2010	Hanawa et al. .... 320/114

\* cited by examiner

*Primary Examiner*—Antoine D Davis

(74) *Attorney, Agent, or Firm*—Michael Best & Friedrich LLP

(57) **CLAIM**

We claim the ornamental design for a battery pack receiving area and connection terminals for a high current draw device, as shown and described.

**DESCRIPTION**

FIG. 1 is a front perspective view of a first construction of a battery pack receiving area and connection terminals for a high current draw device of the present invention.

FIG. 2 is bottom view of the chamber and contact area of FIG. 1.

FIG. 3 is a front-left cross-sectional perspective view of the chamber and contact area of

FIG. 1 along sectioning line 2—2 (shown in FIG. 2).

FIG. 4 is a front-right cross-sectional perspective view of the battery pack receiving area and connection terminals of FIG. 1 along sectioning line 2—2 (shown in FIG. 2).

FIG. 5 is a front-right cross-sectional perspective view of the battery pack receiving area and connection terminals of FIG. 1 along sectioning line 1—1 (shown in FIG. 2).

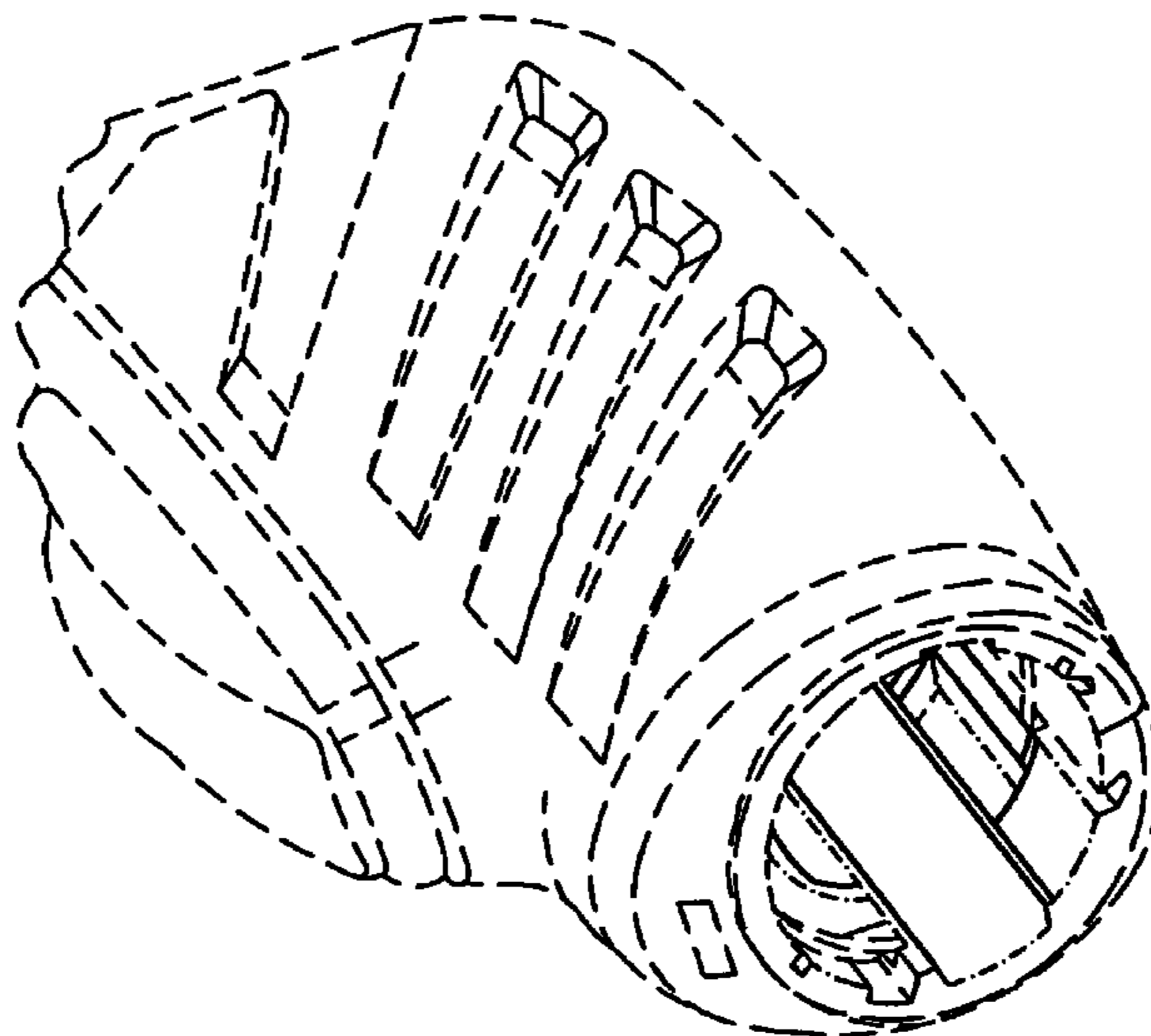
FIG. 6 is a front-left cross-sectional perspective view of the battery pack receiving area and connection terminals of FIG. 1 along sectioning line 1—1 (shown in FIG. 2).

FIG. 7 is a bottom cross-sectional view of the battery pack receiving area and connection terminals of FIG. 1 along sectioning line 2—2 (shown in FIG. 2); and,

FIG. 8 is a top cross-sectional view of the battery pack receiving area and connection terminals of FIG. 1 along sectioning line 1—1 (shown in FIG. 2).

The portions of the design shown in broken lines are included for the purpose of illustrating environment and form no part of the claimed design. The portions of the design shown in broken lines having unequal segments illustrate the boundary of the claimed design and form no part of the claimed design.

**1 Claim, 8 Drawing Sheets**



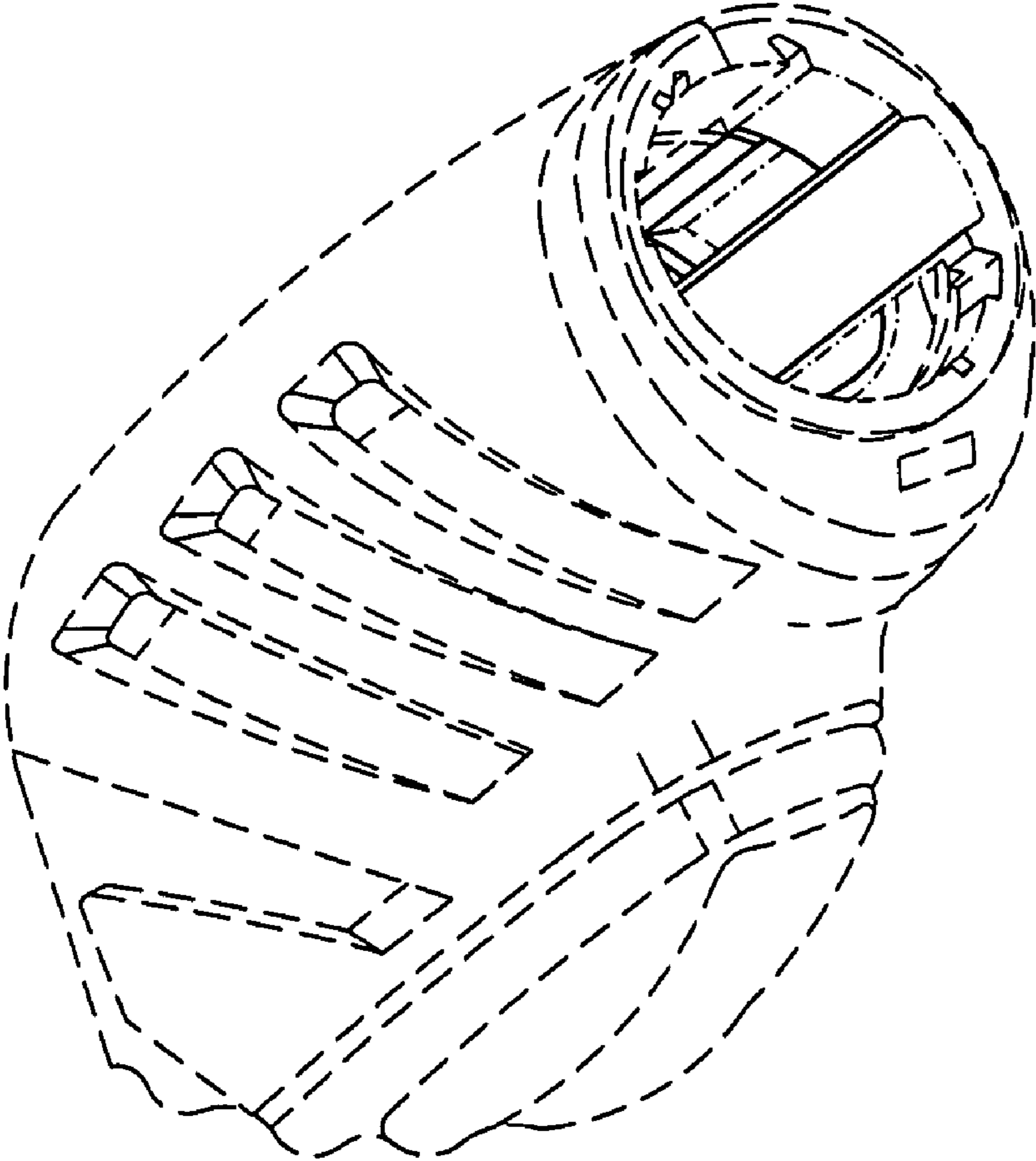


Fig. 1

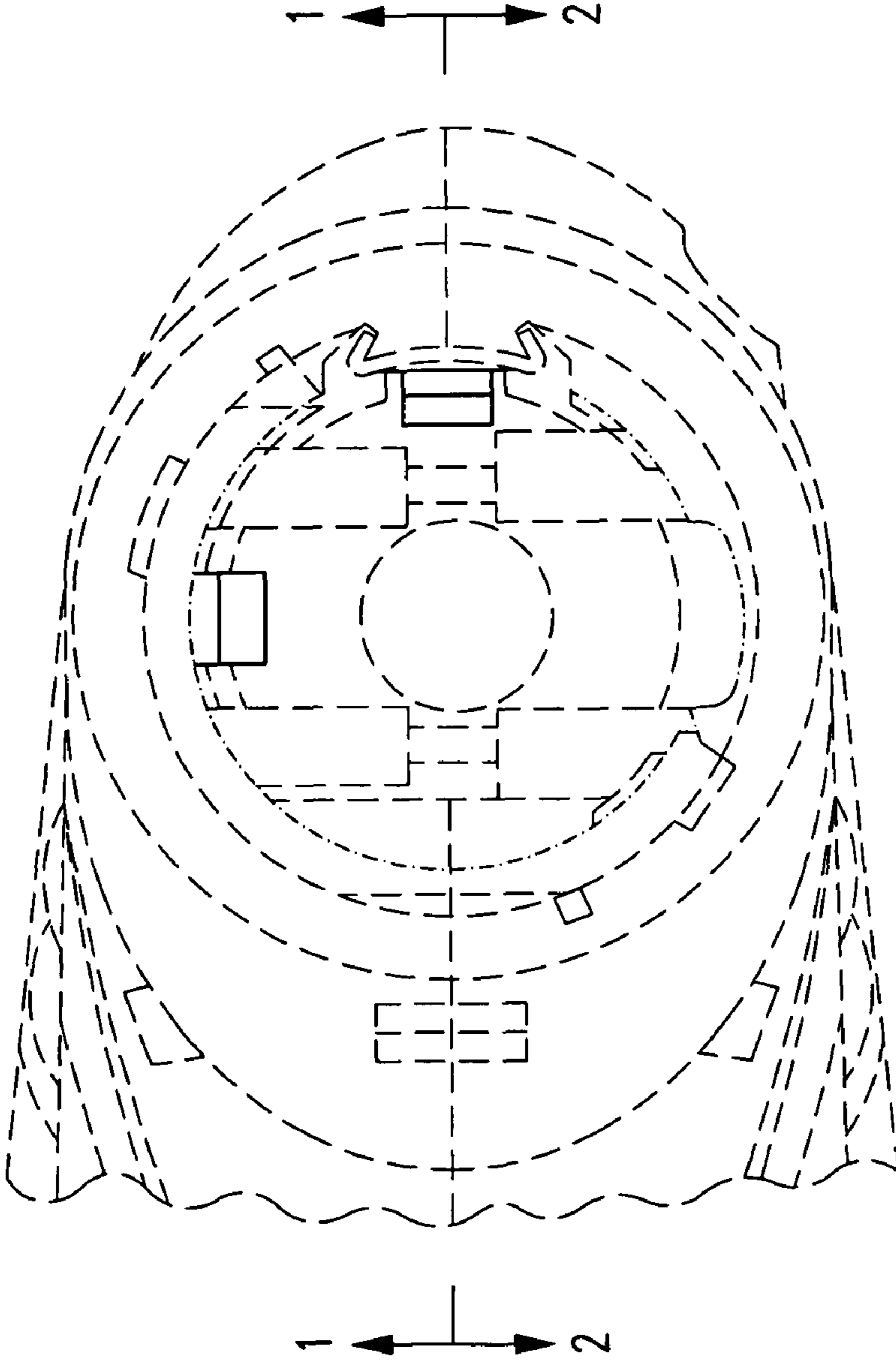


Fig. 2

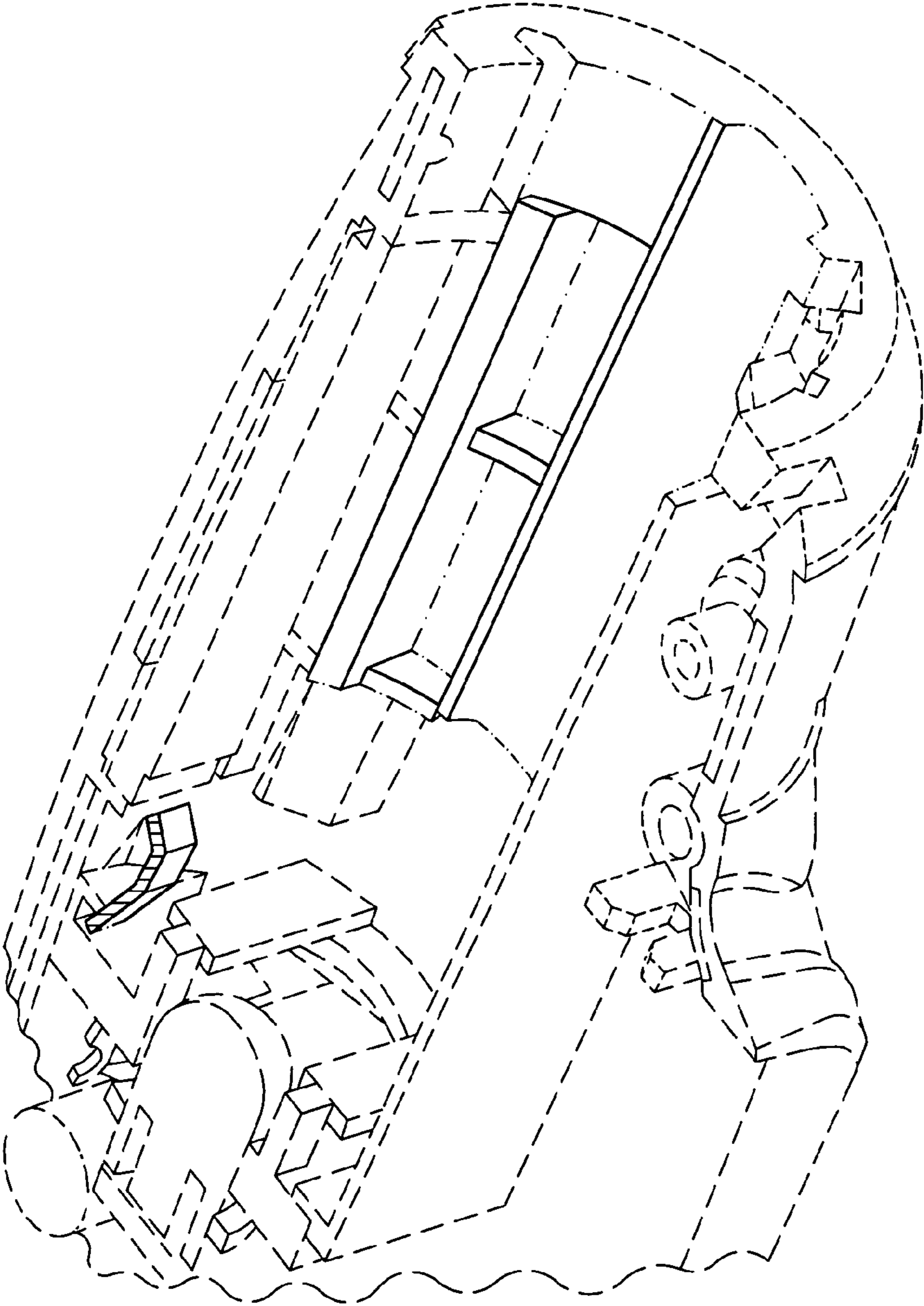


Fig. 3



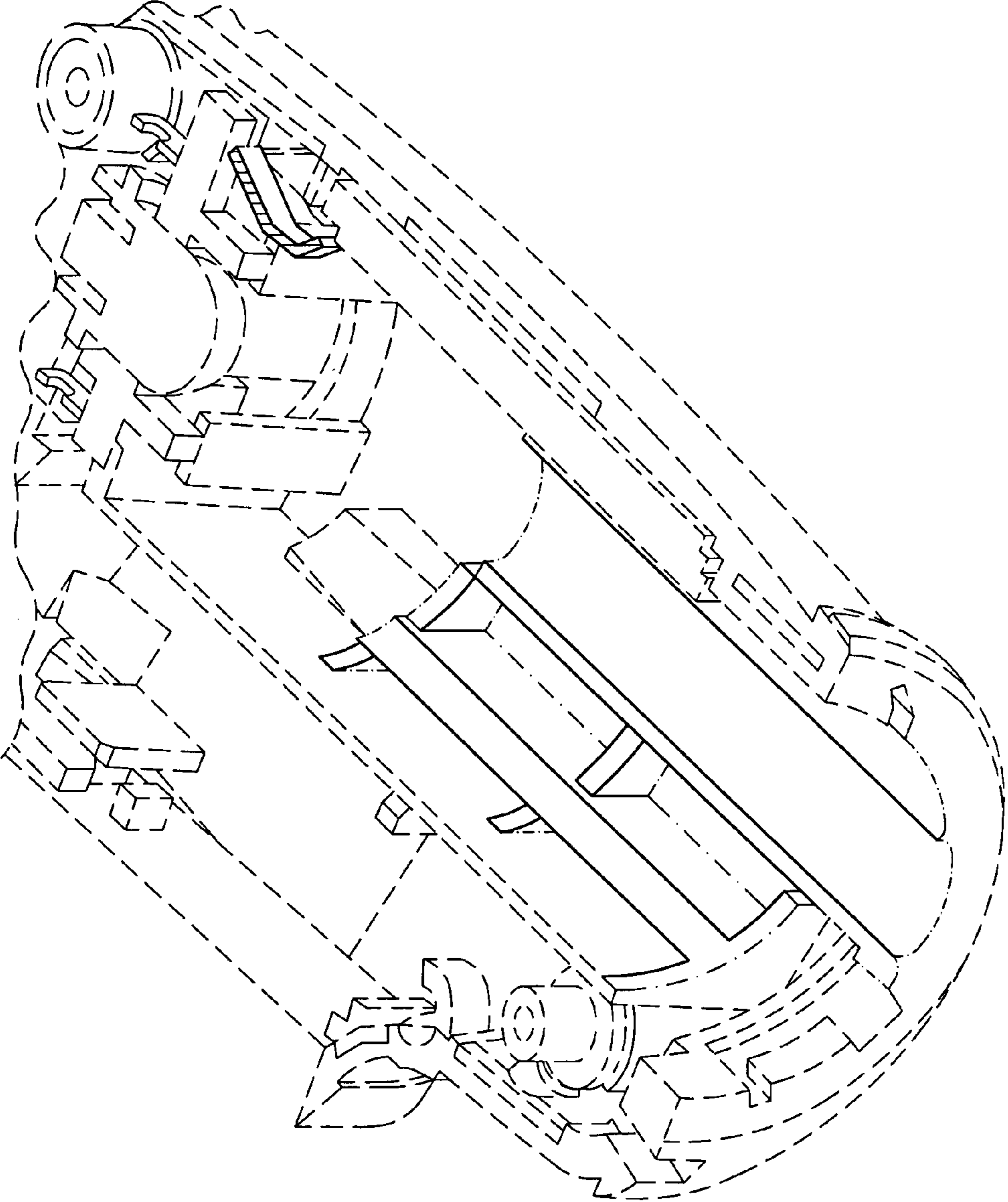


Fig. 4

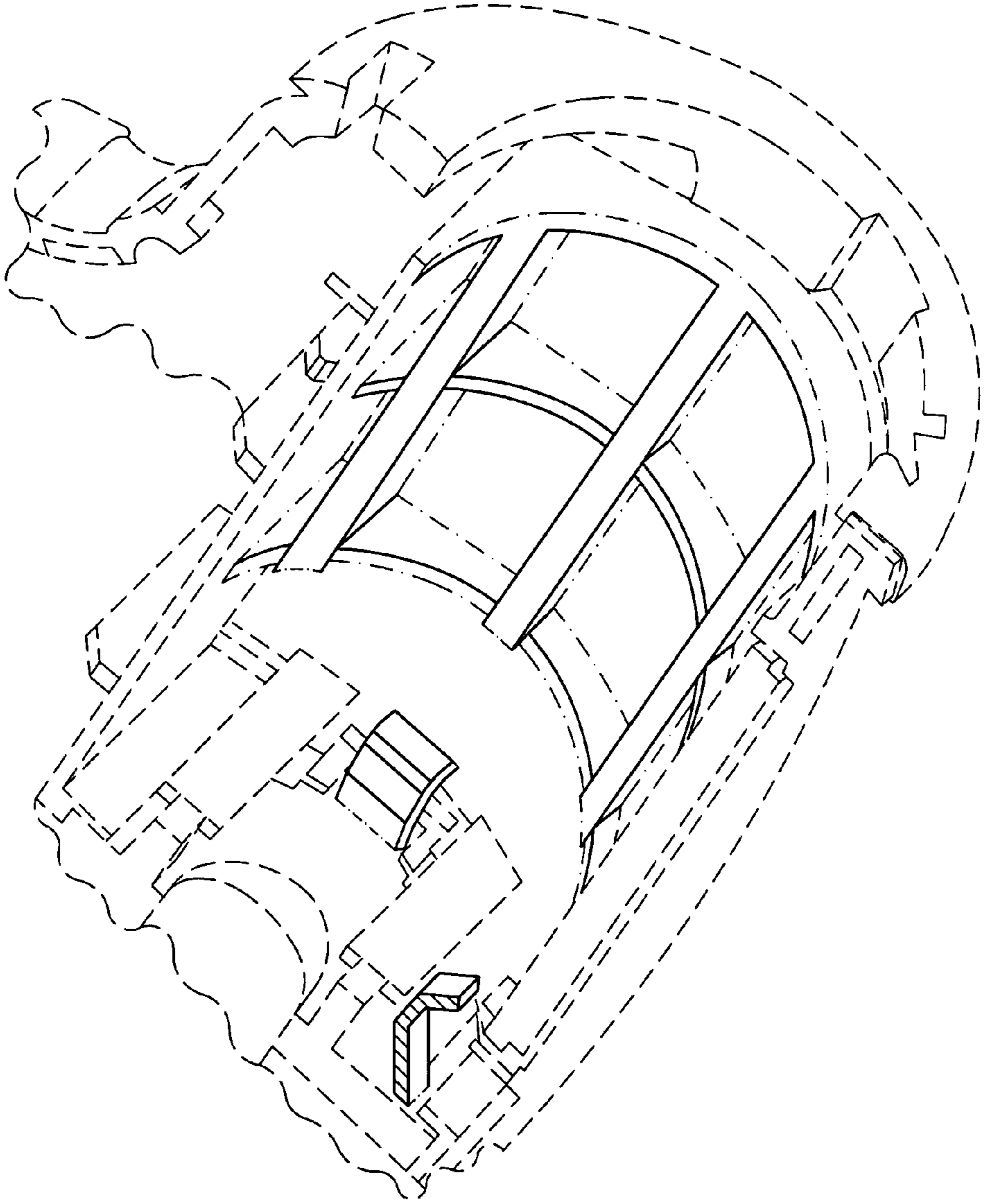


Fig. 5

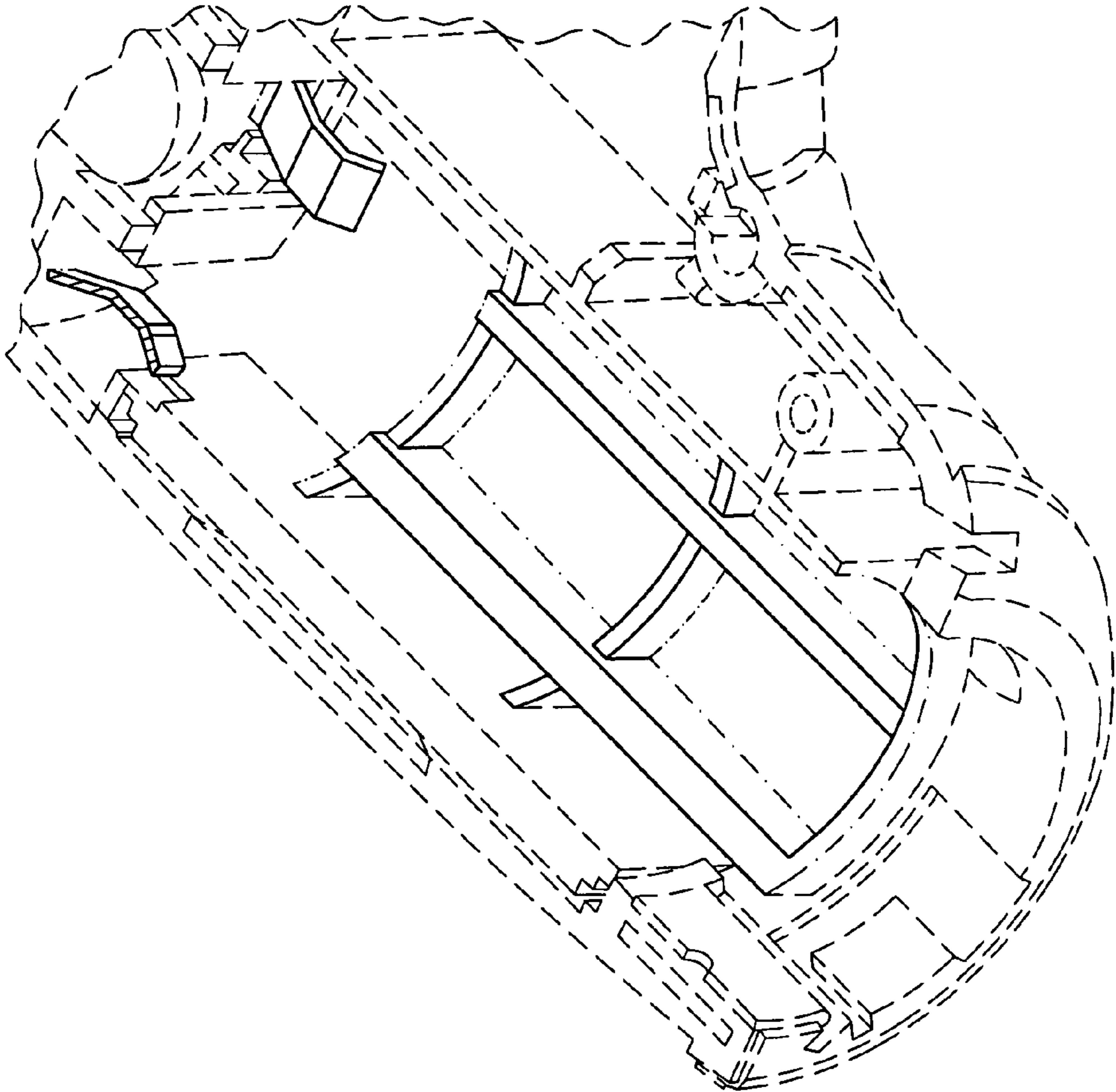


Fig. 6

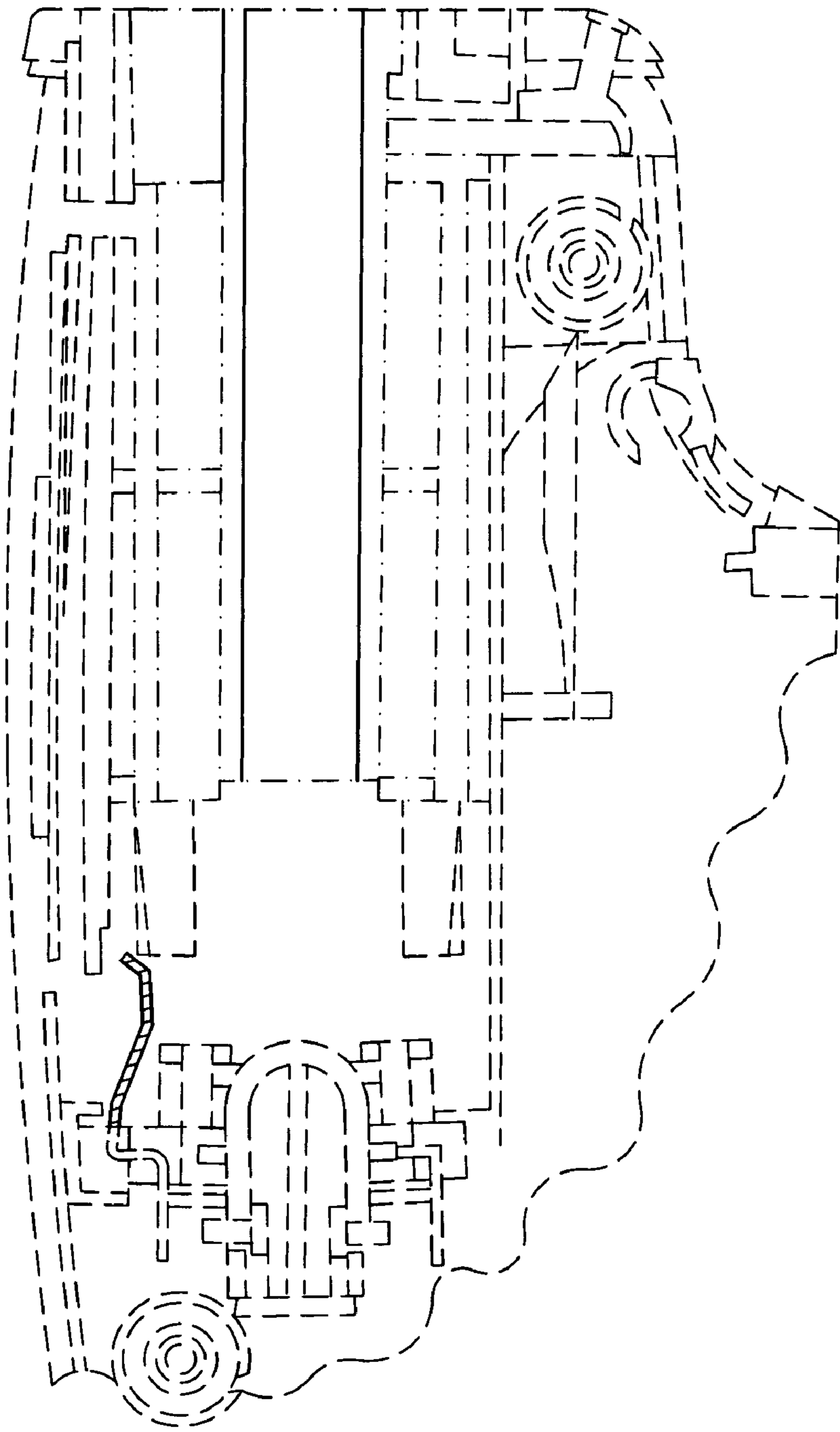


Fig. 7



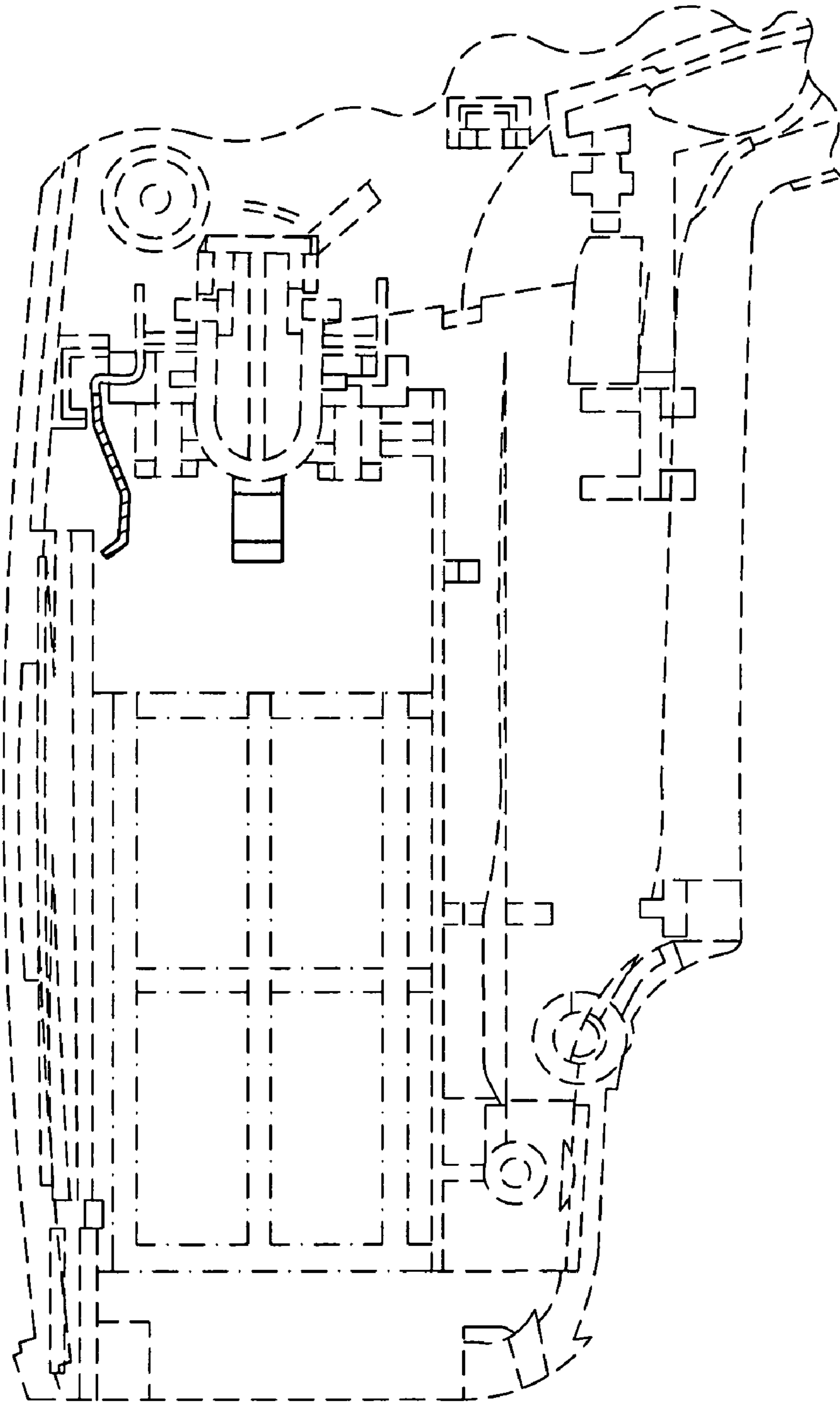


Fig. 8