



US00D627202S

(12) **United States Design Patent**  
**Steineckert et al.**

(10) **Patent No.:** **US D627,202 S**  
(45) **Date of Patent:** **\*\* Nov. 16, 2010**

(54) **HAND TOOL**

(75) Inventors: **Jennefer Ruth Steineckert**, Portland, OR (US); **Benjamin C. Rivera**, Lake Oswego, OR (US)

(73) Assignee: **Leatherman Tool Group, Inc.**, Portland, OR (US)

(\*\*) Term: **14 Years**

(21) Appl. No.: **29/346,854**

(22) Filed: **Nov. 6, 2009**

(51) **LOC (9) Cl.** ..... **08-05**

(52) **U.S. Cl.** ..... **D8/55; D8/105; D8/107**

(58) **Field of Classification Search** ..... D8/1, D8/4, 5, 14, 20, 51-56, 58, 105-107; 7/128, 7/168, 158, 165, 125, 138; 81/177.4, 440, 81/427.5, 300, 418-424, 424.5, 426, 426.5, 81/427; 30/158-161, 236, 262

See application file for complete search history.

(56) **References Cited**

**U.S. PATENT DOCUMENTS**

D384,872 S \* 10/1997 Yeh ..... D8/55  
D392,519 S \* 3/1998 Hung ..... D8/5

(Continued)

*Primary Examiner*—Cathron C Brooks

*Assistant Examiner*—Deanna Fluegeman

(74) *Attorney, Agent, or Firm*—Alston & Bird LLP

(57) **CLAIM**

The ornamental design for a hand tool, as shown and described.

**DESCRIPTION**

FIG. 1 is a perspective view of the hand tool of my new design, shown in an open position;

FIG. 2 is another perspective view thereof;

FIG. 3 is a left side elevation view thereof;

FIG. 4 is a right side elevation view thereof;

FIG. 5 is a top plan view thereof;

FIG. 6 is a bottom plan view thereto;

FIG. 7 is a front elevation view thereof;

FIG. 8 is a rear elevation view thereof;

FIG. 9 is a perspective view of the hand tool of my new design, shown in a closed position;

FIG. 10 is another perspective view thereof;

FIG. 11 is a left side elevation view thereof;

FIG. 12 is a right side elevation view thereof;

FIG. 13 is a top plan view thereof;

FIG. 14 is a bottom plan view thereto;

FIG. 15 is a front elevation view thereof;

FIG. 16 is a rear elevation view thereof;

FIG. 17 is a perspective view of the hand tool of my new design, shown in an open position with alternate unclaimed environment;

FIG. 18 is another perspective view thereof;

FIG. 19 is a left side elevation view thereof;

FIG. 20 is a right side elevation view thereof;

FIG. 21 is a top plan view thereof;

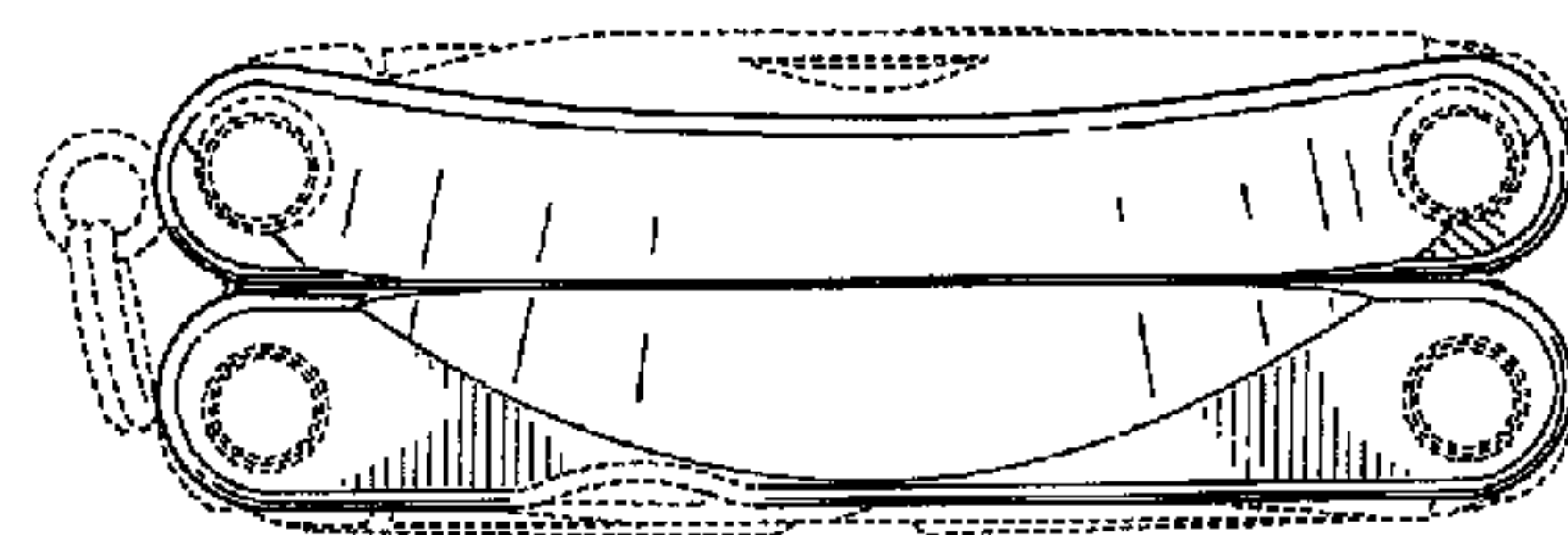
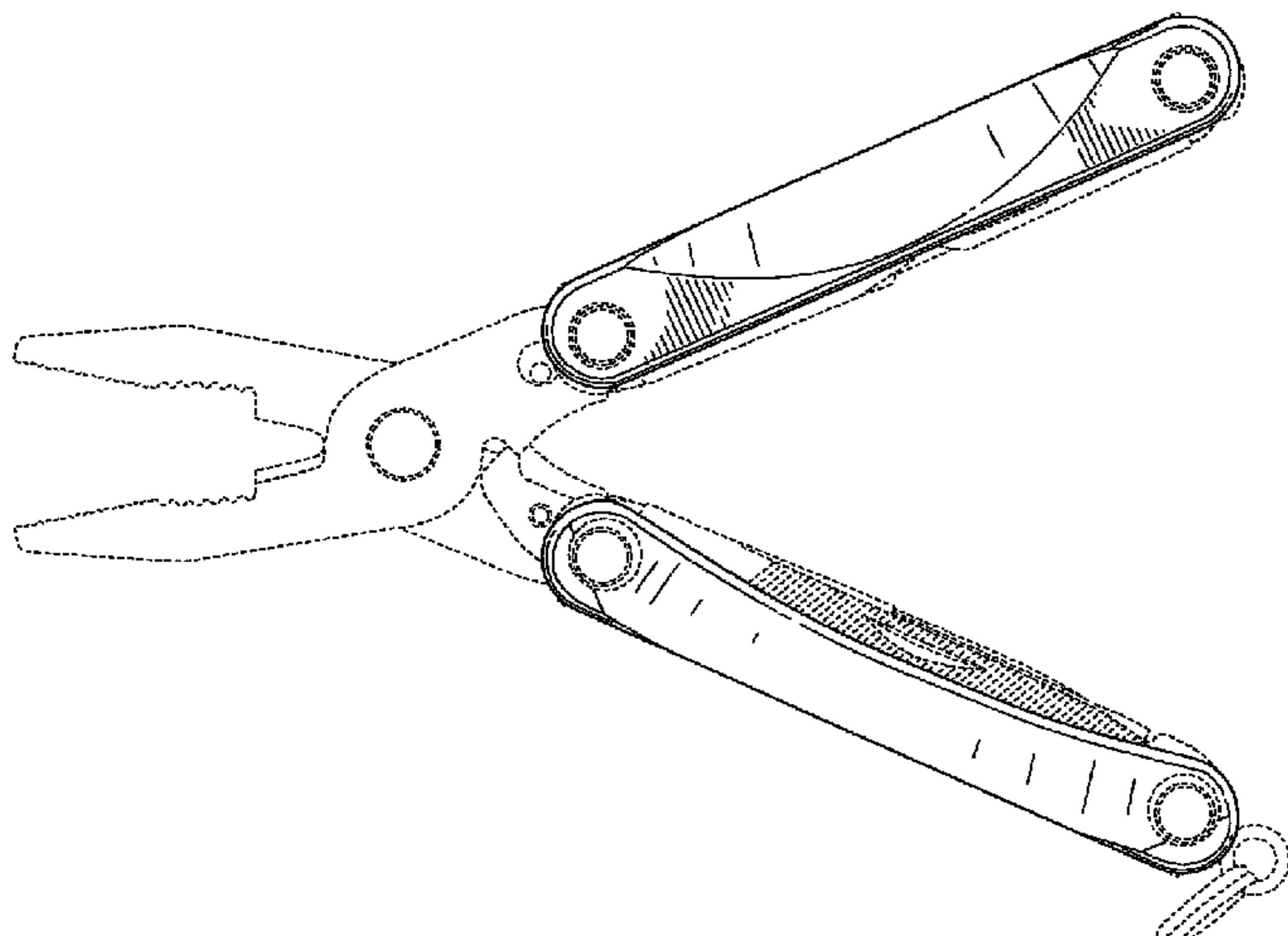
FIG. 22 is a bottom plan view thereto;

FIG. 23 is a front elevation view thereof; and,

FIG. 24 is a rear elevation view thereof.

The broken lines immediately adjacent the shaded areas represent bounds of the claimed design and environment while all other broken lines are directed to environment and are for illustrative purposes only. The broken lines form no part of the claimed design.

**1 Claim, 18 Drawing Sheets**



# US D627,202 S

Page 2

## U.S. PATENT DOCUMENTS

D398,209 S *	9/1998	Rivera	.....	D8/52	D521,829 S *	5/2006	Yale et al.	.....	D8/52
D408,238 S *	4/1999	Rivera	.....	D8/52	7,146,668 B2	12/2006	Rivera		
D414,097 S *	9/1999	Berg et al.	.....	D8/55	7,182,001 B2	2/2007	Rivera		
D414,387 S *	9/1999	Hung	.....	D8/5	D541,618 S *	5/2007	Klecker	.....	D8/107
D423,893 S *	5/2000	Mackin et al.	.....	D8/52	D542,107 S *	5/2007	Yale et al.	.....	D8/52
D445,009 S	7/2001	Rivera			D543,084 S *	5/2007	Yale	.....	D8/105
D445,326 S *	7/2001	Alfaro	.....	D8/55	7,213,283 B2	5/2007	Rivera		
D446,708 S	8/2001	Rivera			D553,467 S	10/2007	Ryan		
D446,709 S	8/2001	Rivera			D557,100 S	12/2007	Stokes et al.		
D447,039 S	8/2001	Rivera			D568,710 S	5/2008	Klecker et al.		
D447,041 S	8/2001	Rivera			D573,437 S	7/2008	Nenadic		
6,276,063 B1	8/2001	Chen			D573,865 S	7/2008	Klecker et al.		
D447,401 S	9/2001	Rivera			7,437,822 B2	10/2008	Flagg et al.		
D454,044 S *	3/2002	Alfaro	.....	D8/55	D591,570 S *	5/2009	Lee et al.	.....	D8/55
D467,783 S	12/2002	Onion			D592,931 S	5/2009	Nenadic		
D470,031 S	2/2003	Rivera			D600,080 S	9/2009	Liu		
D470,032 S	2/2003	Rivera			D600,527 S	9/2009	Nyssen et al.		
D470,372 S	2/2003	Rivera			D600,528 S	9/2009	Nyssen et al.		
D474,085 S	5/2003	Rivera			7,607,231 B2 *	10/2009	Klecker et al.	.....	30/236
D474,670 S	5/2003	Rivera			7,676,931 B2	3/2010	Knight et al.		
D476,546 S *	7/2003	Ping	.....	D8/107	7,712,399 B2	5/2010	Nenadic		
6,622,328 B2	9/2003	Rivera			2002/0059730 A1	5/2002	Flavigny		
D481,289 S	10/2003	Dallas			2005/0097755 A1	5/2005	Galyean et al.		
D485,146 S	1/2004	Rivera			2006/0096035 A1 *	5/2006	Ocklenburg	.....	7/155
6,675,419 B2 *	1/2004	Rivera	.....	7/128	2006/0260137 A1	11/2006	Flagg et al.		
D494,032 S	8/2004	Rivera			2007/0101508 A1	5/2007	Quenzi		
D497,532 S *	10/2004	Rivera et al.	.....	D8/55	2007/0124940 A1	6/2007	Hawk et al.		
D497,790 S *	11/2004	Rivera et al.	.....	D8/55	2008/0163433 A1	7/2008	Nenadic		
D499,622 S *	12/2004	Rivera et al.	.....	D8/55	2008/0263777 A1	10/2008	Rivera		
D505,057 S	5/2005	Ralph			2009/0090225 A1	4/2009	Nenadic		
D509,125 S *	9/2005	Ping	.....	D8/107	2010/0122420 A1	5/2010	Nason et al.		

\* cited by examiner

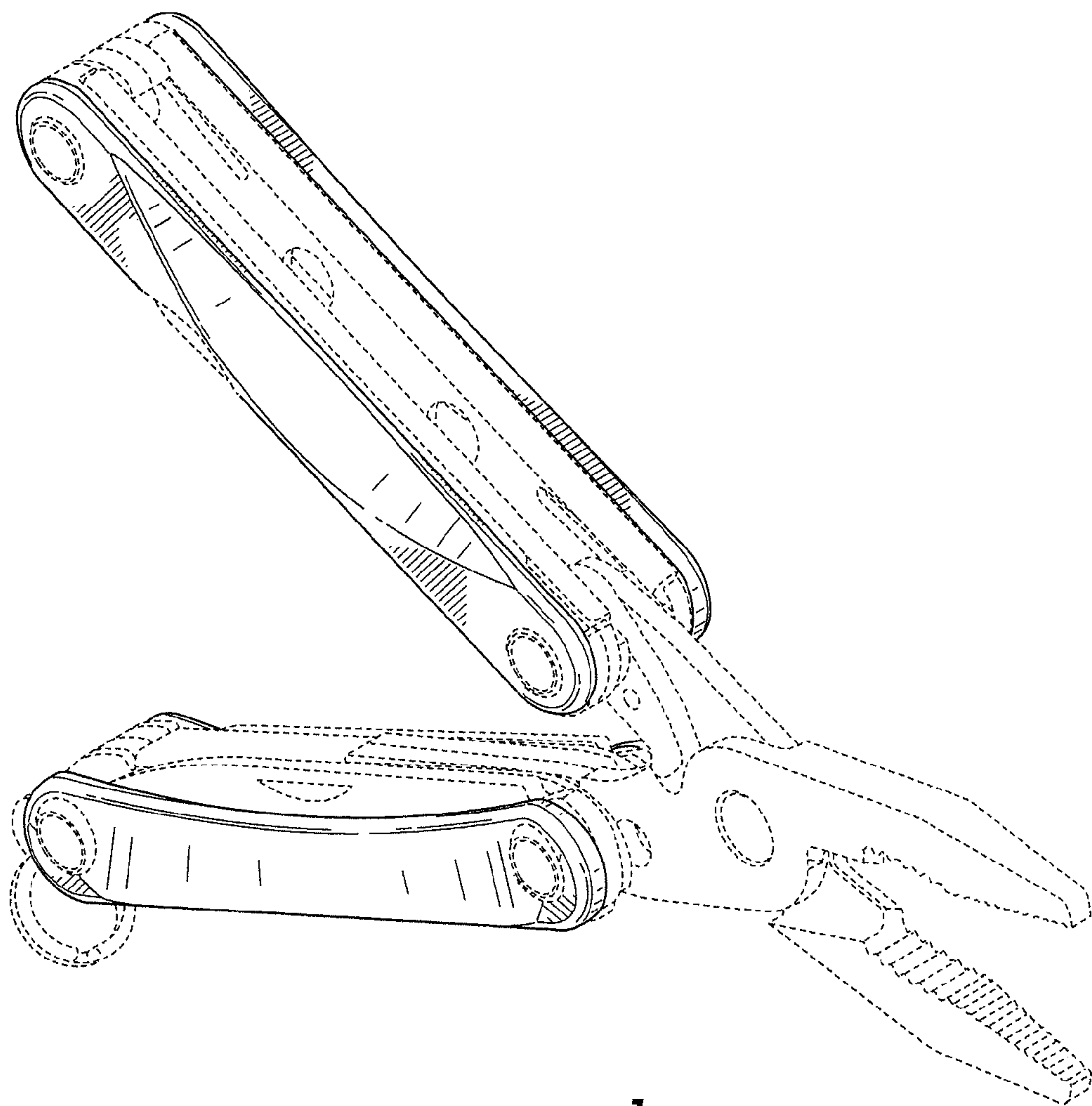


FIG. 1



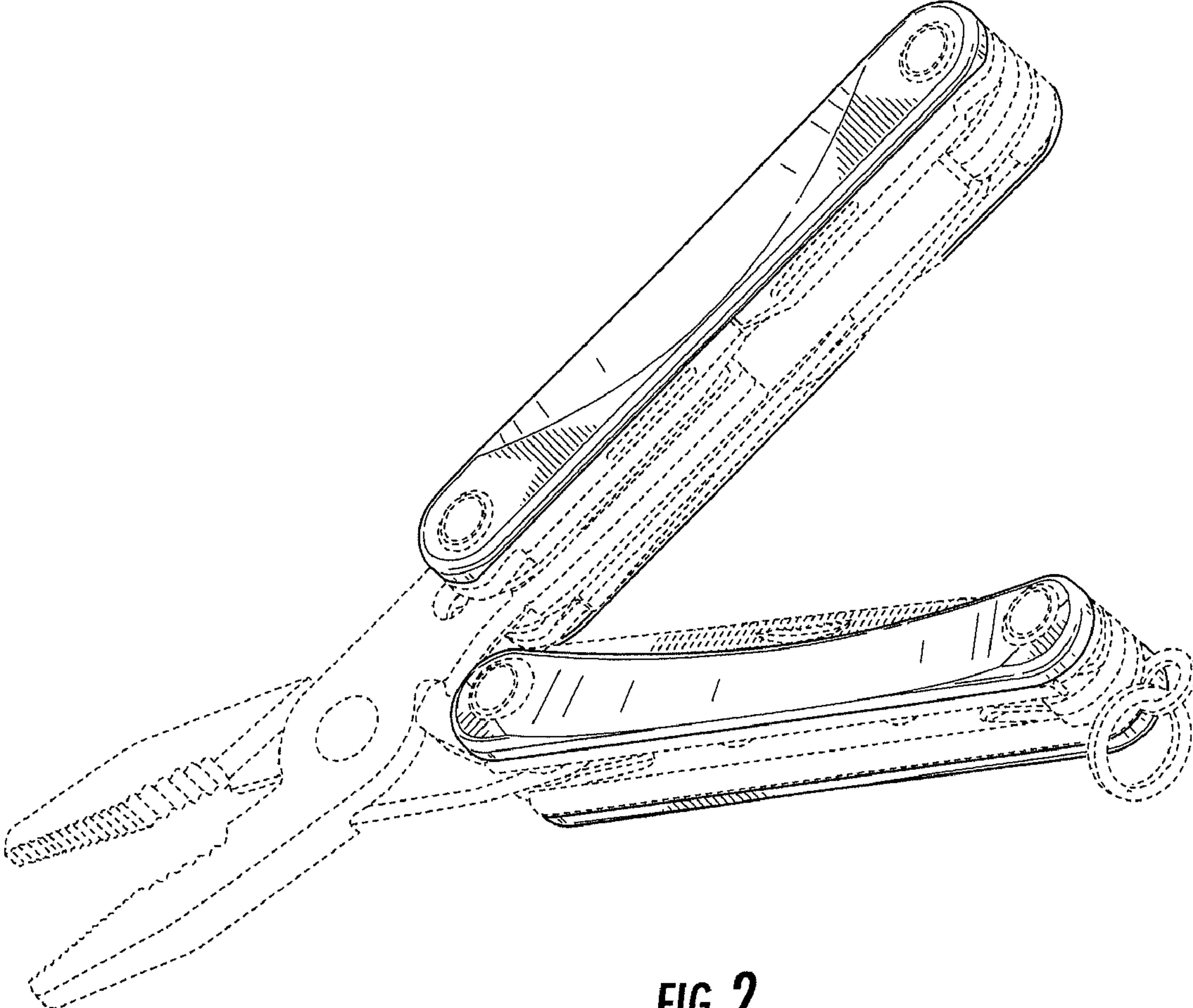


FIG. 2

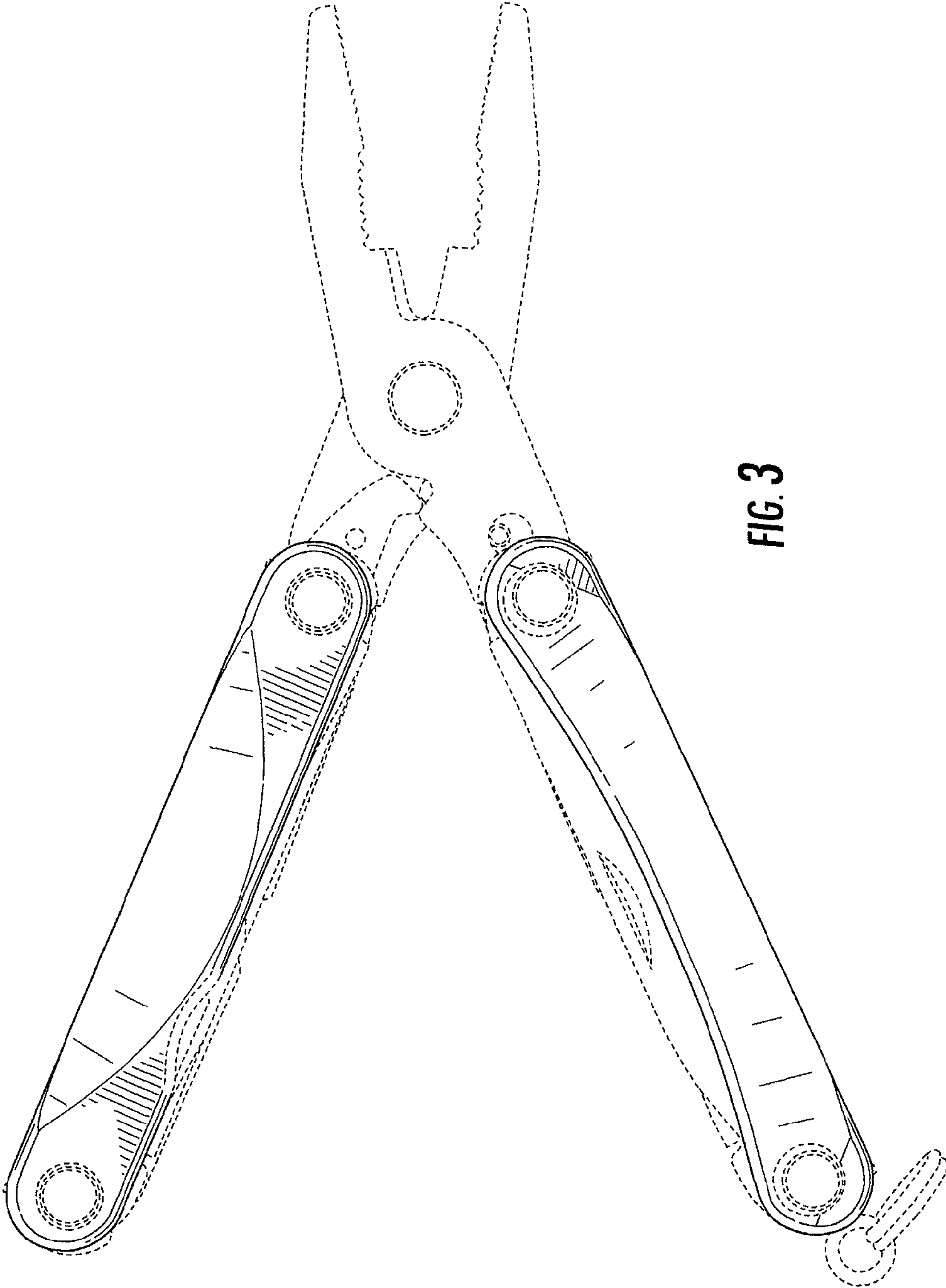


FIG. 3

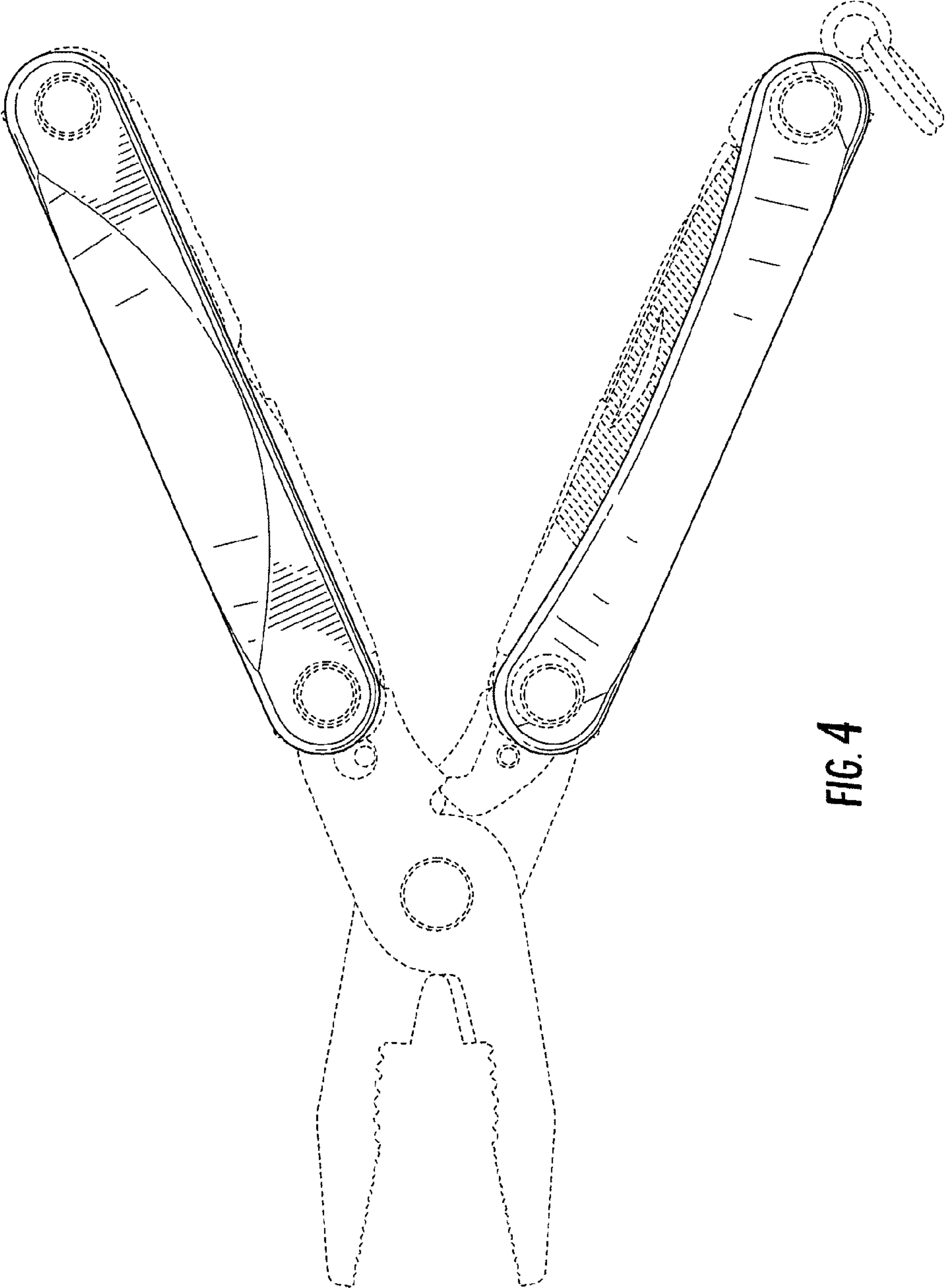


FIG. 4

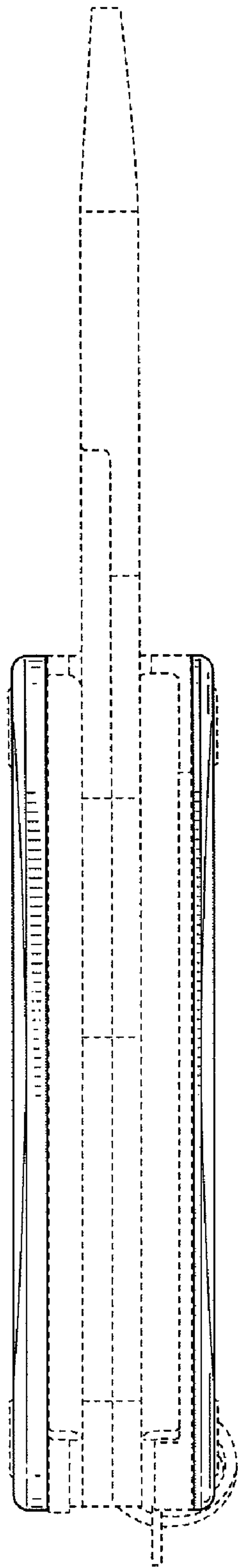


FIG. 5

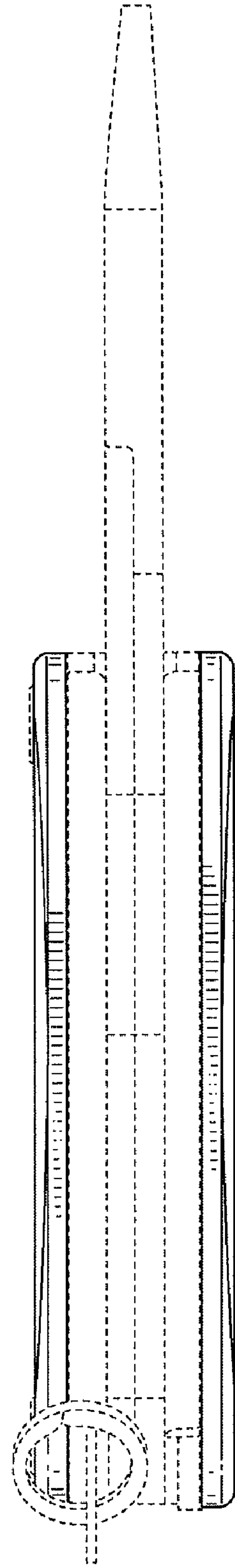
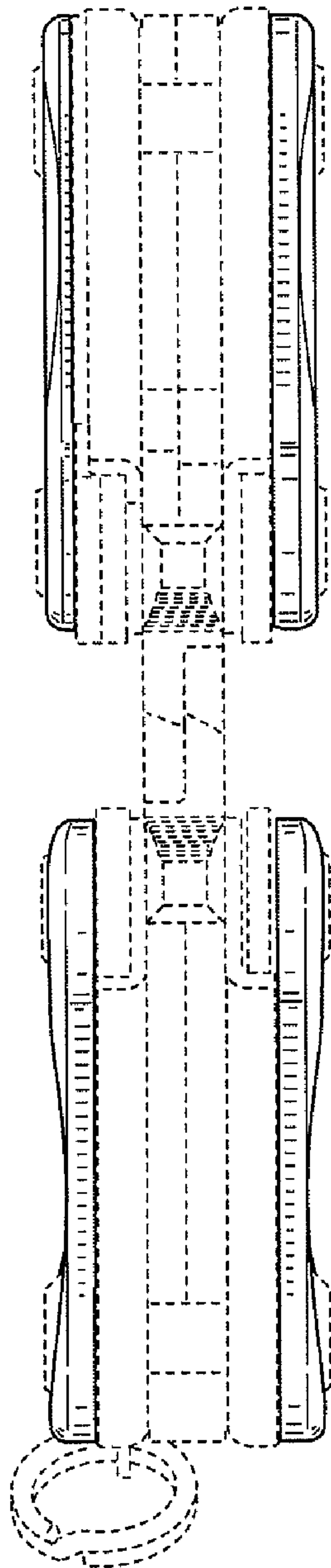
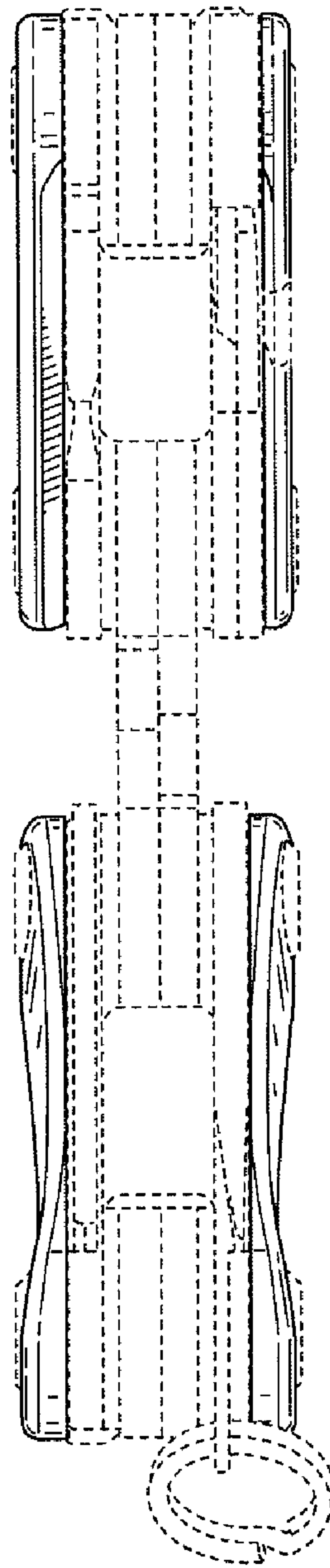


FIG. 6

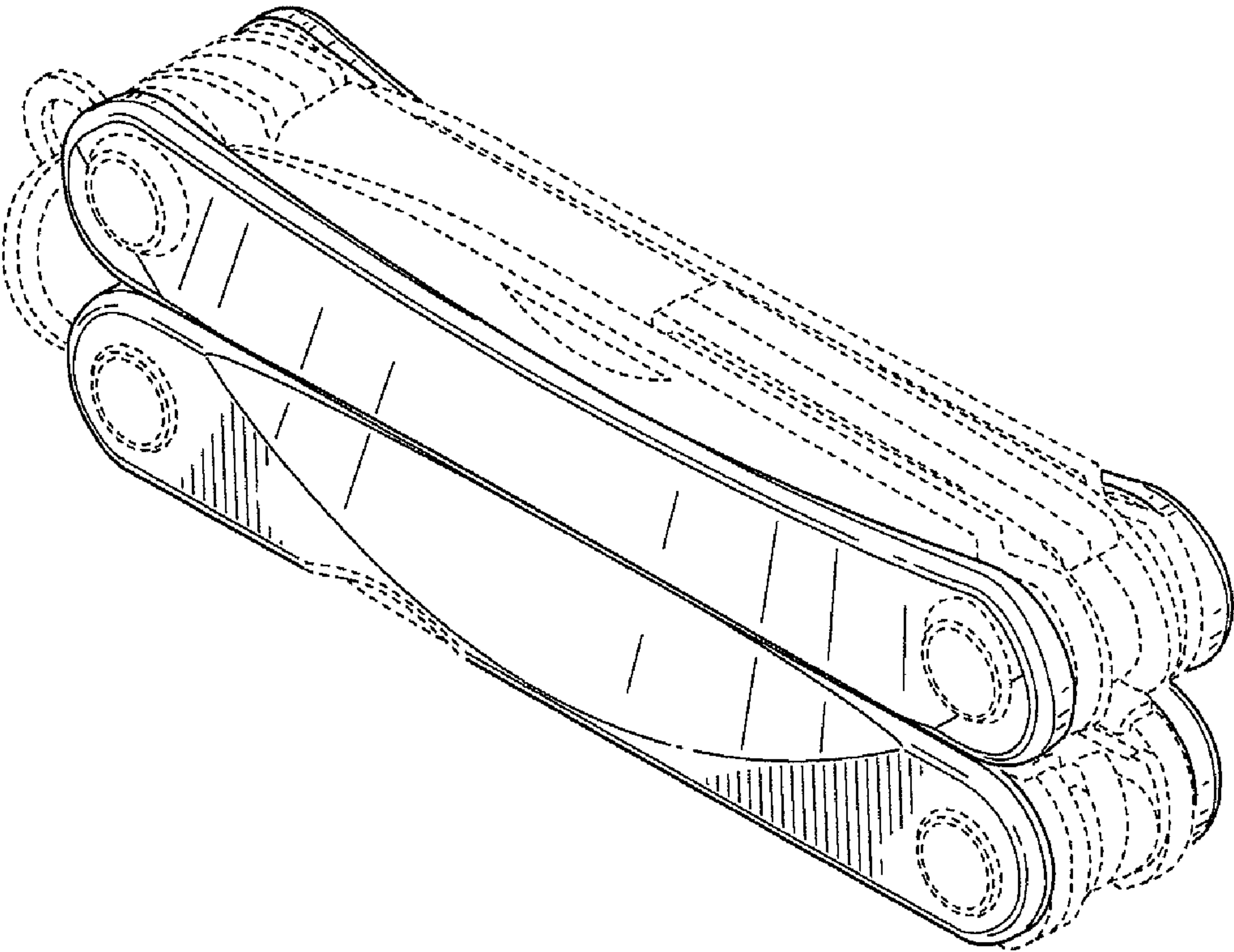


**FIG. 7**



**FIG. 8**





**FIG. 9**

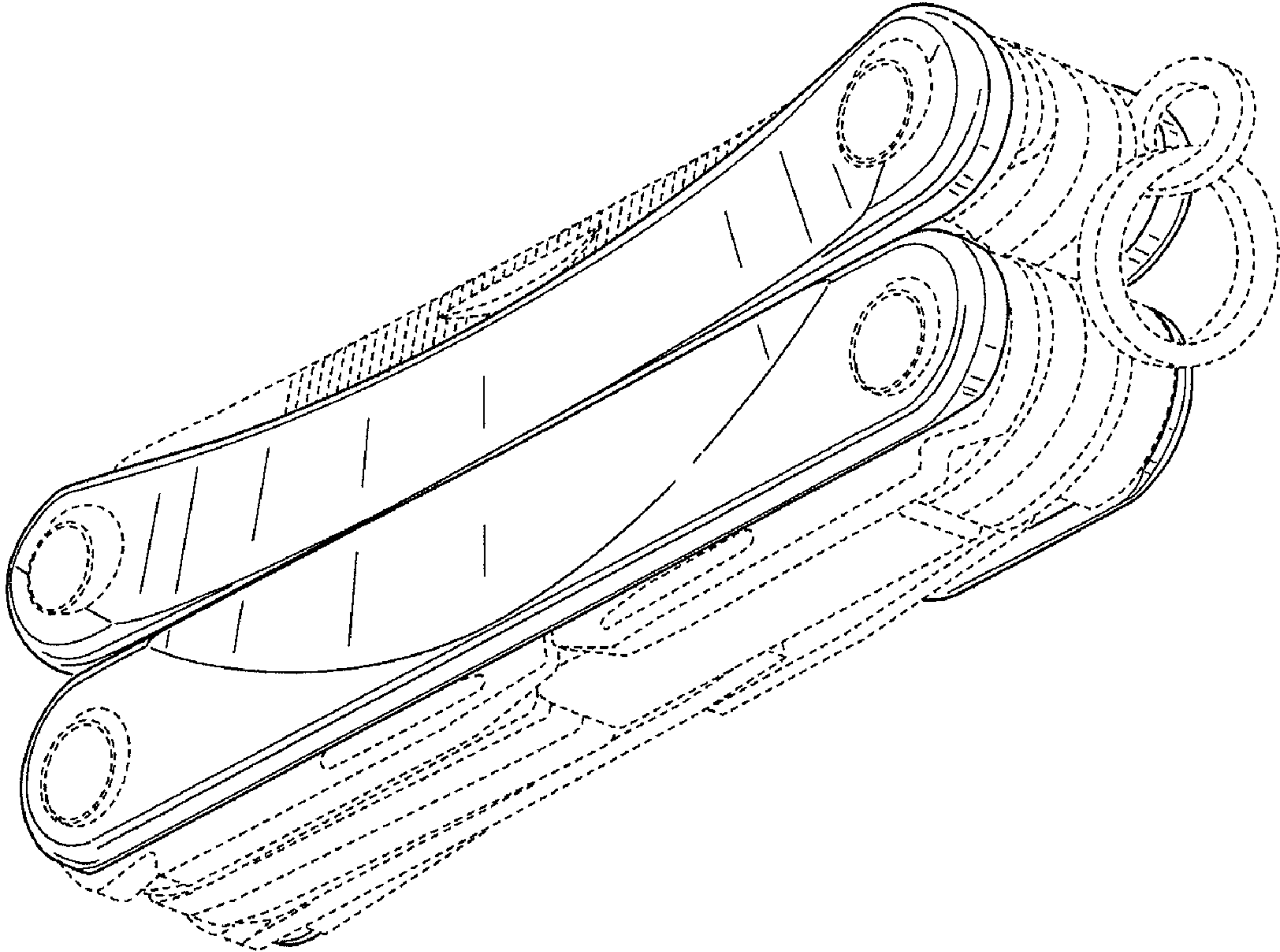
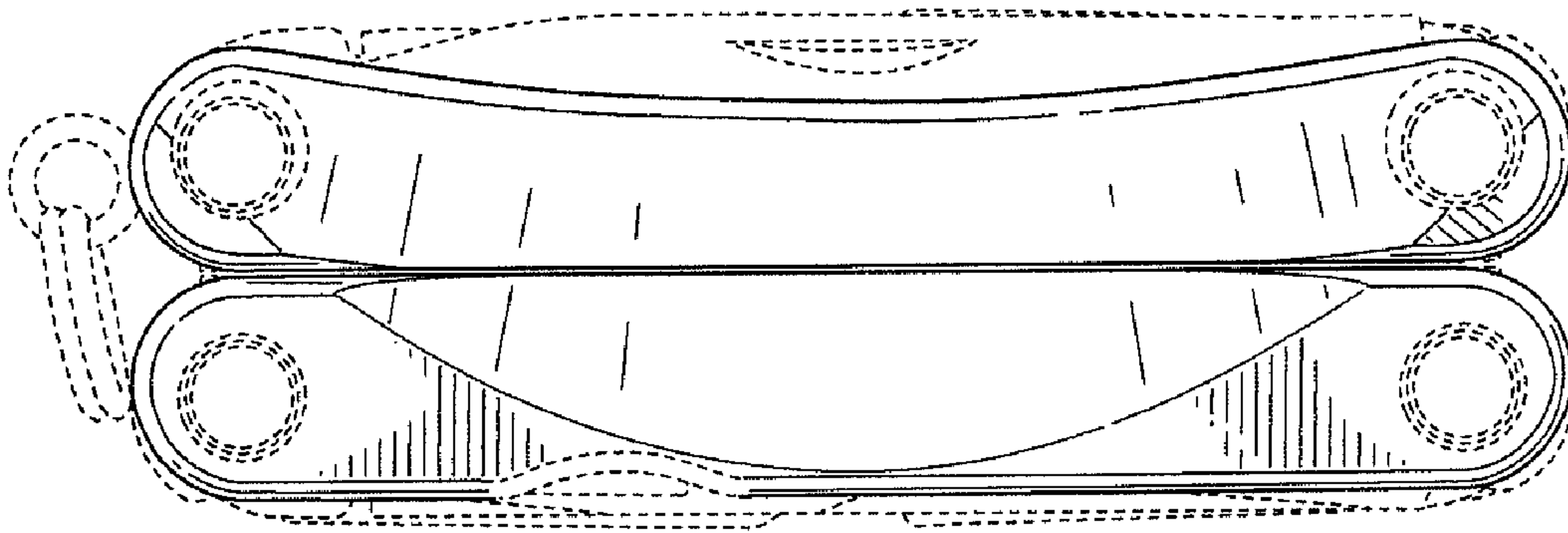
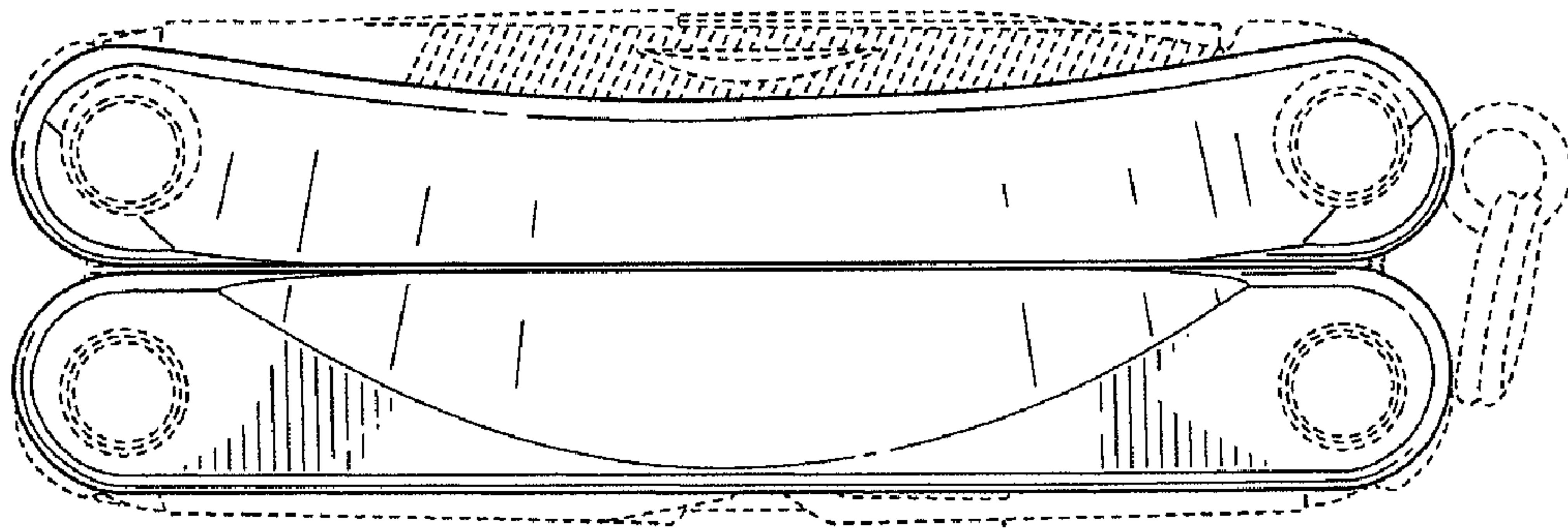


FIG. 10



**FIG. 11**



**FIG. 12**



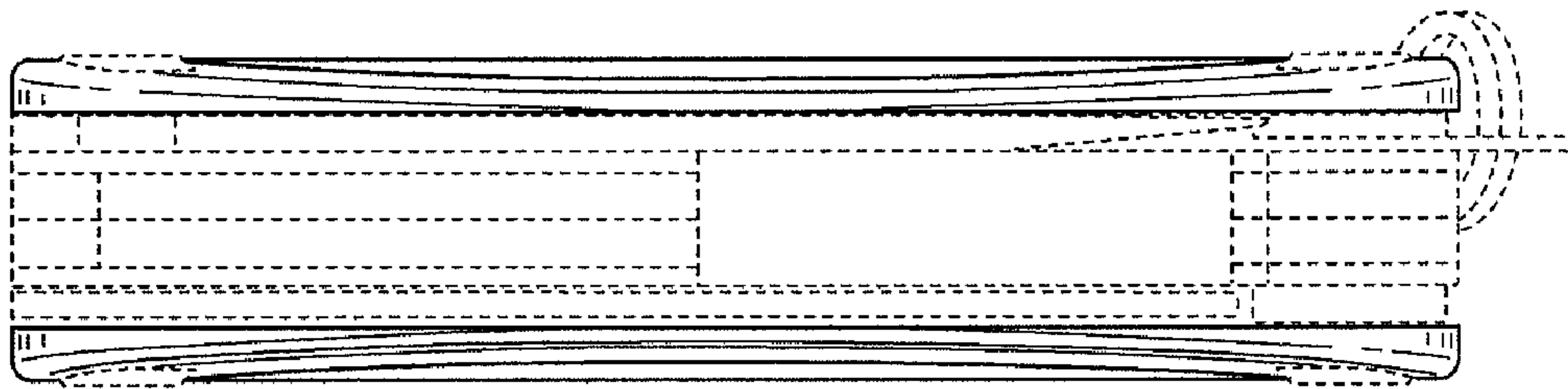


FIG. 13

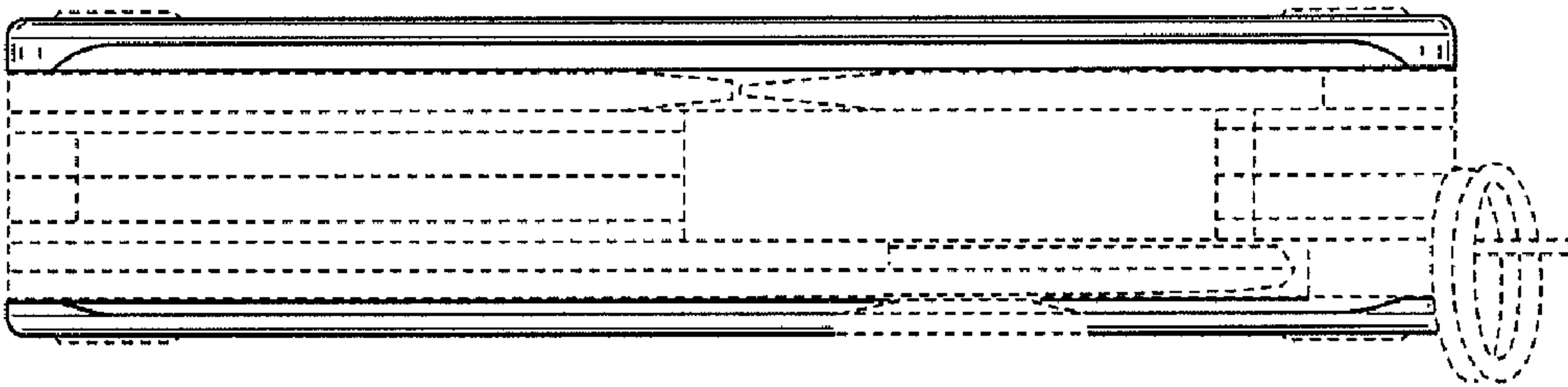
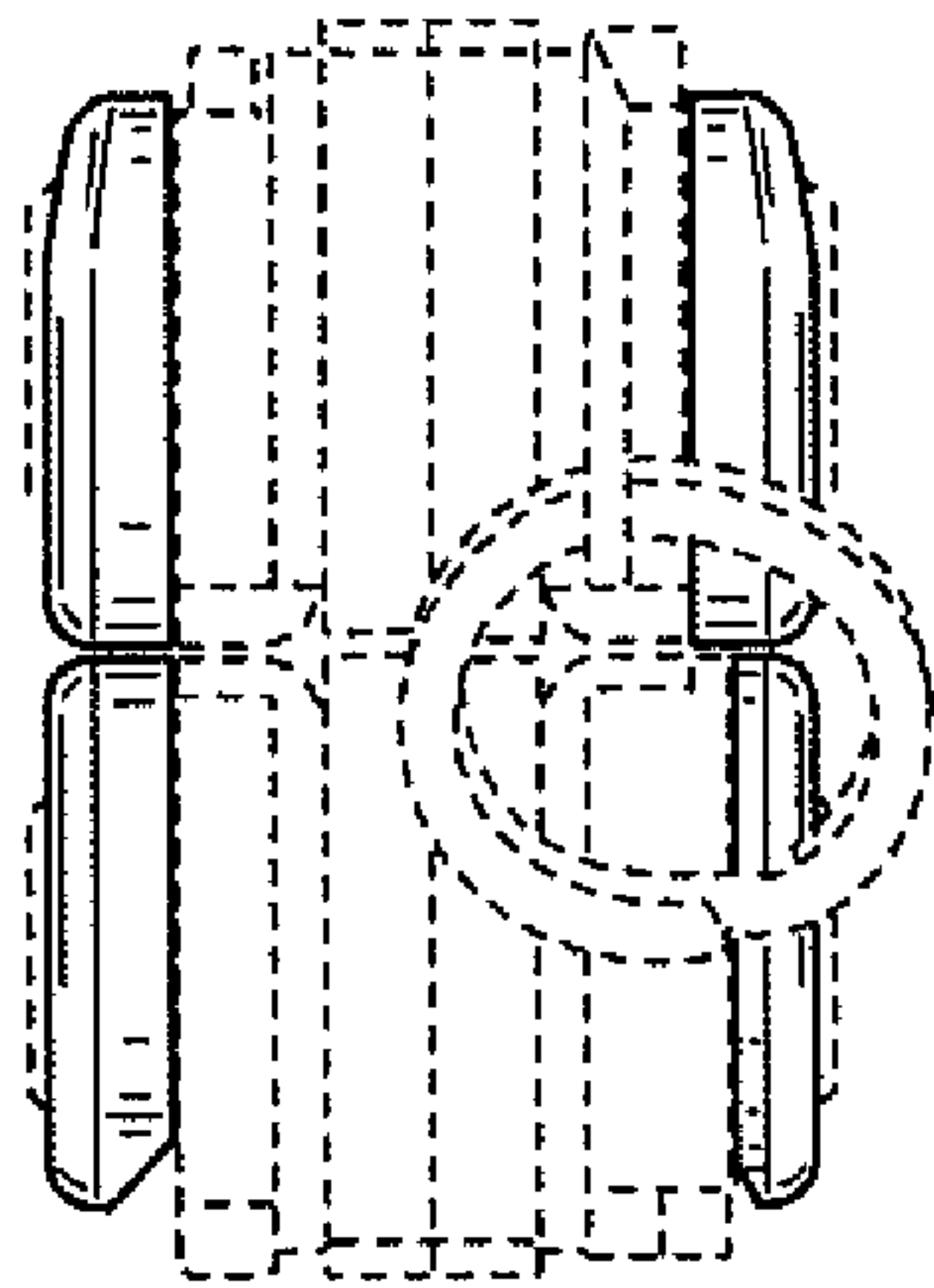
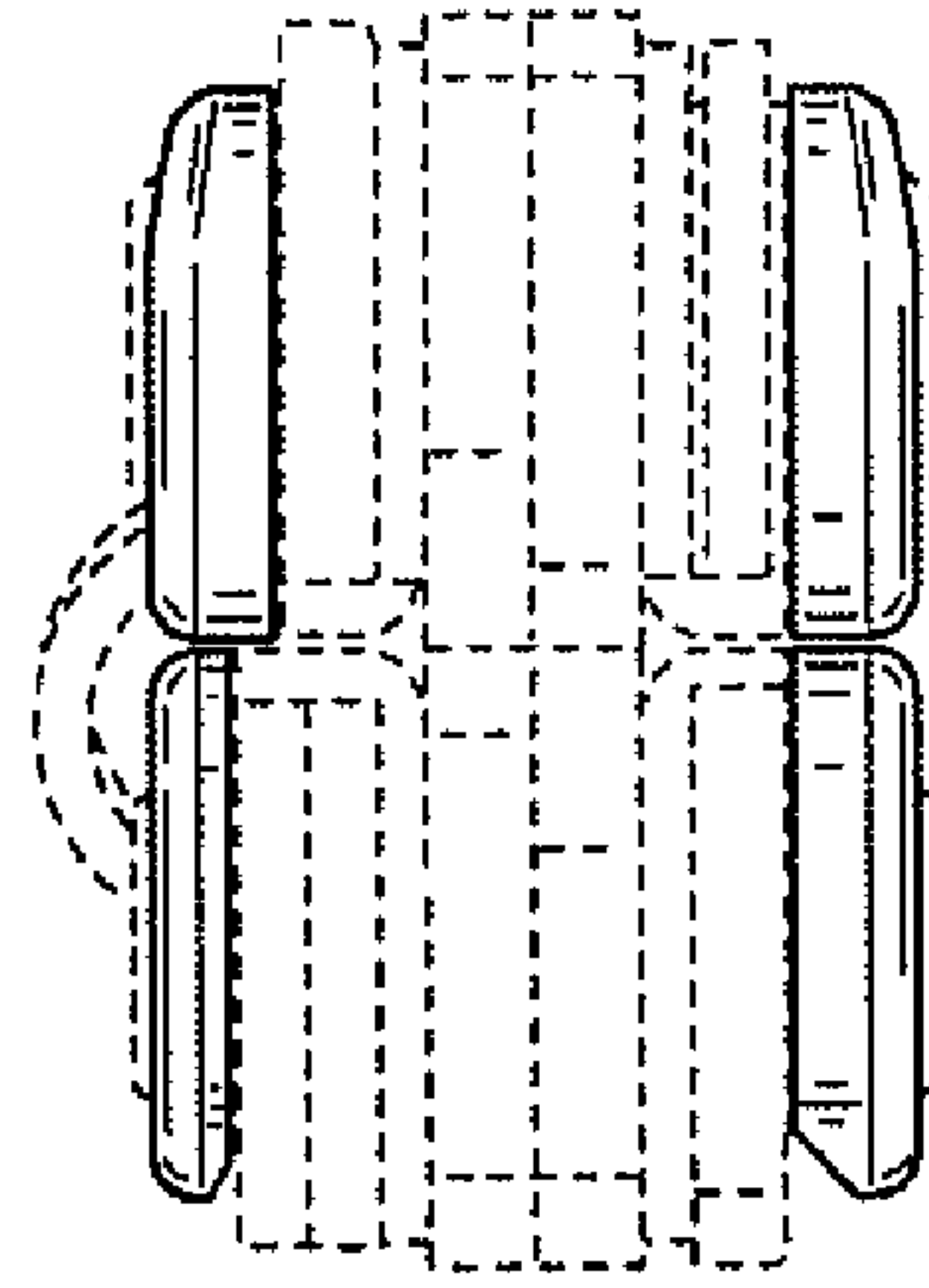


FIG. 14



**FIG. 15**



**FIG. 16**

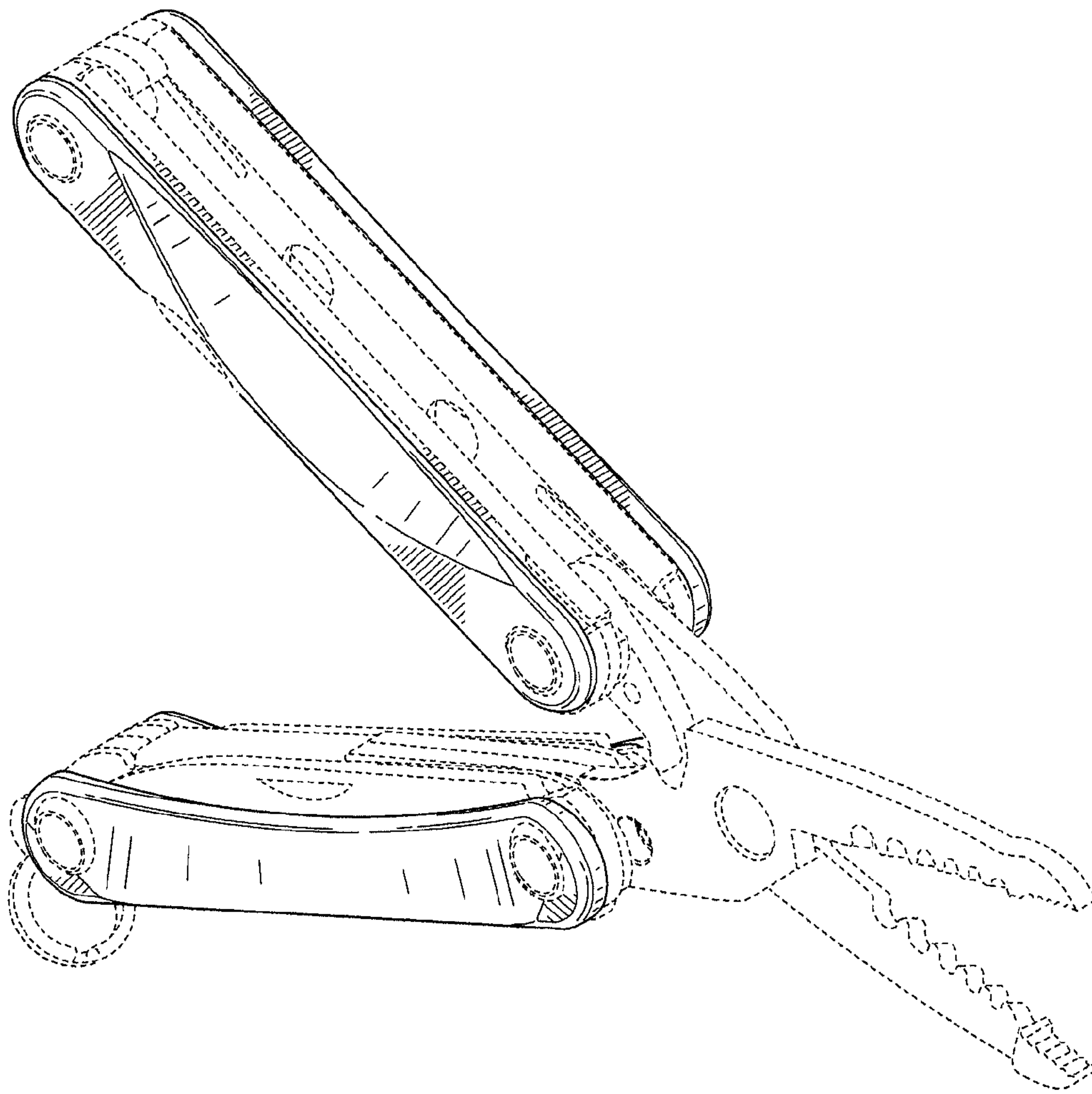


FIG. 17

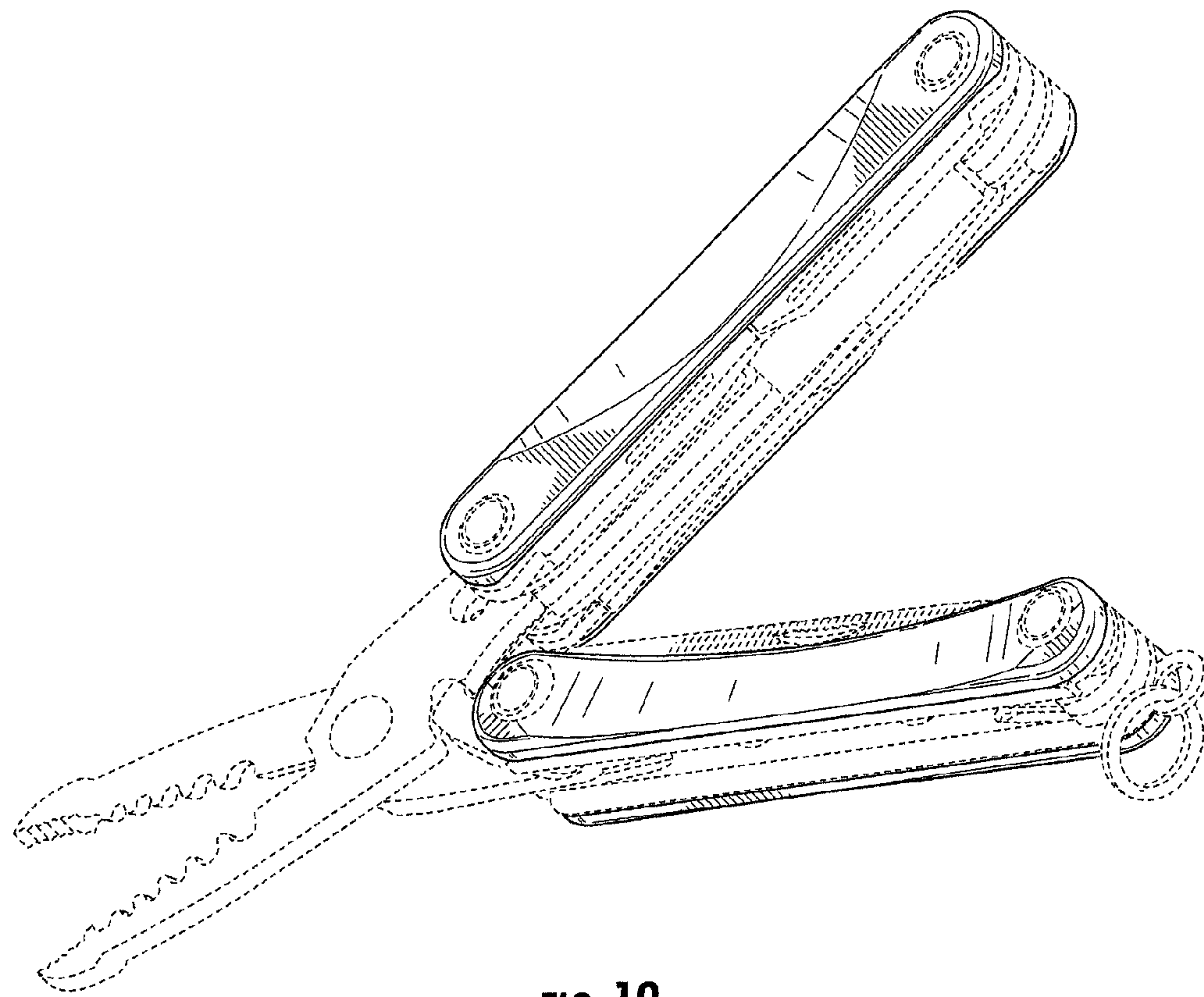


FIG. 18



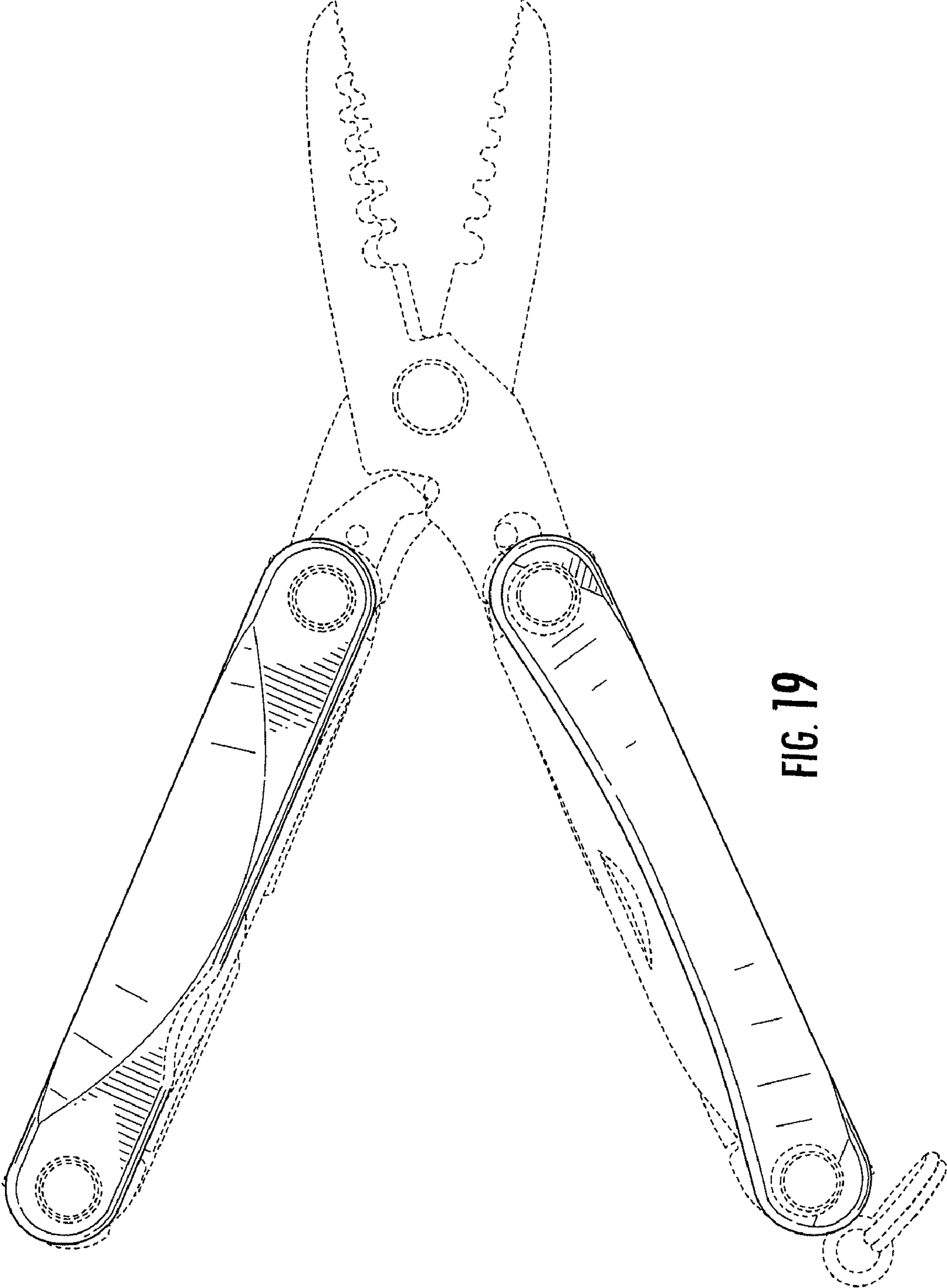


FIG. 19

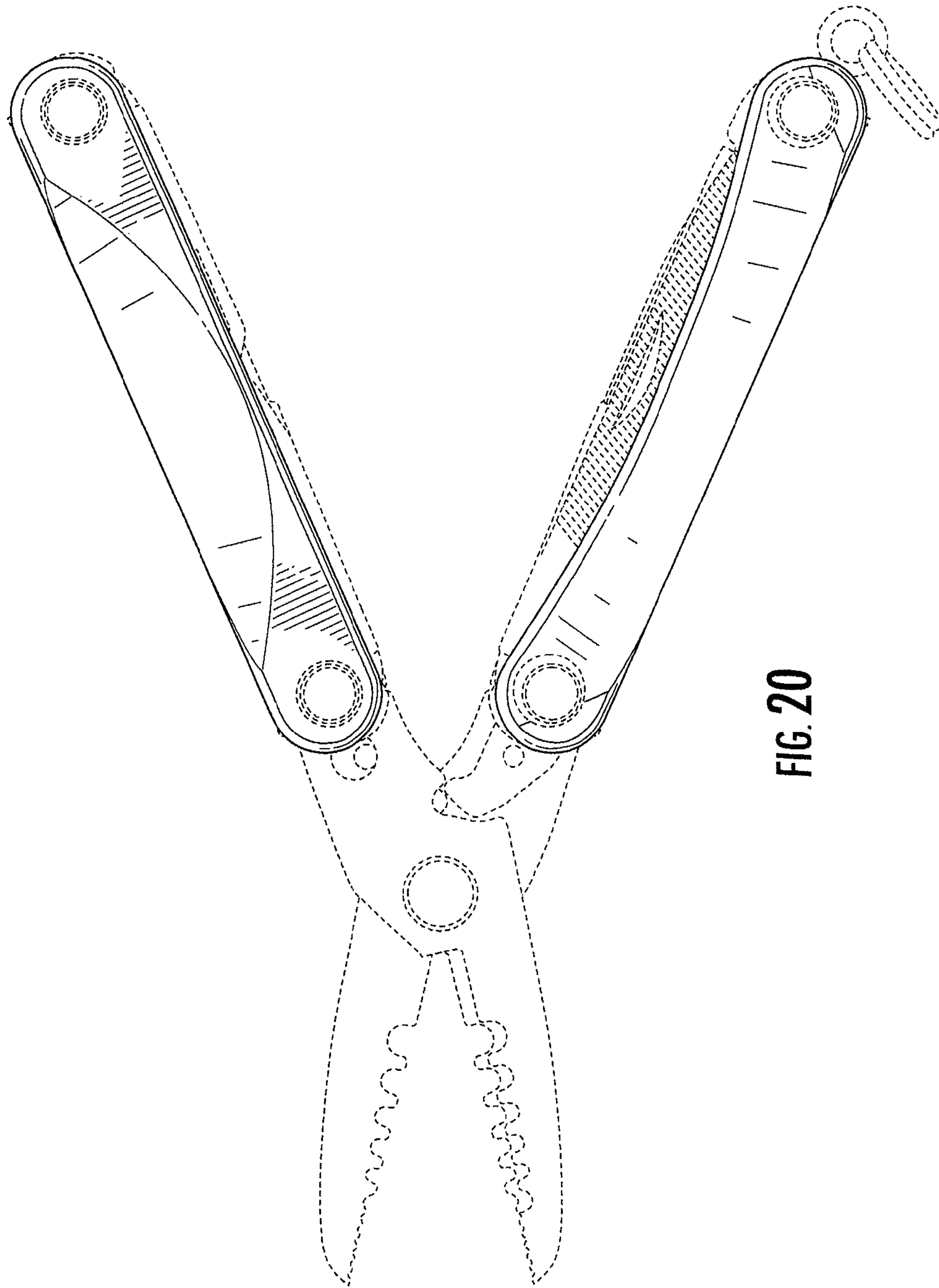


FIG. 20

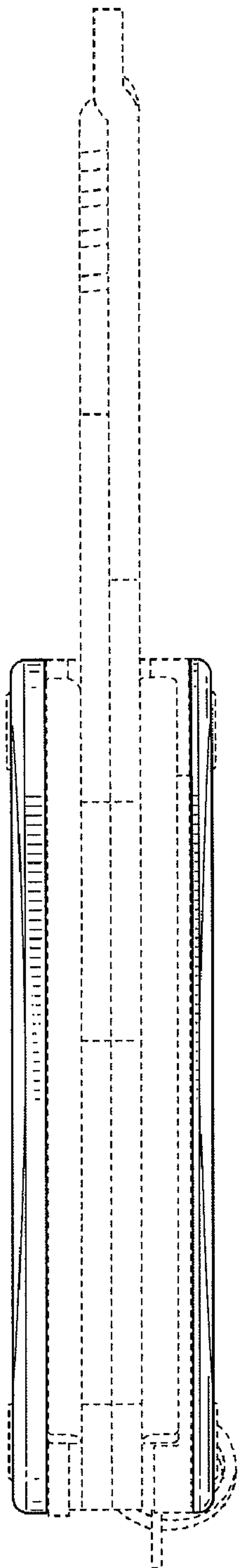


FIG. 21

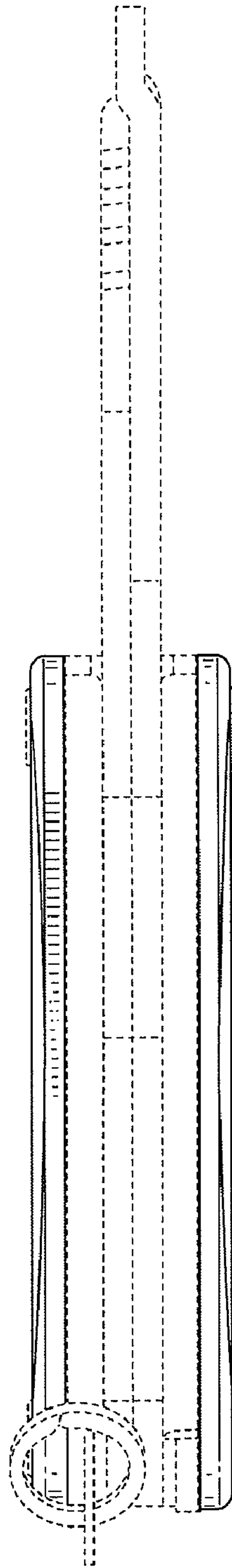
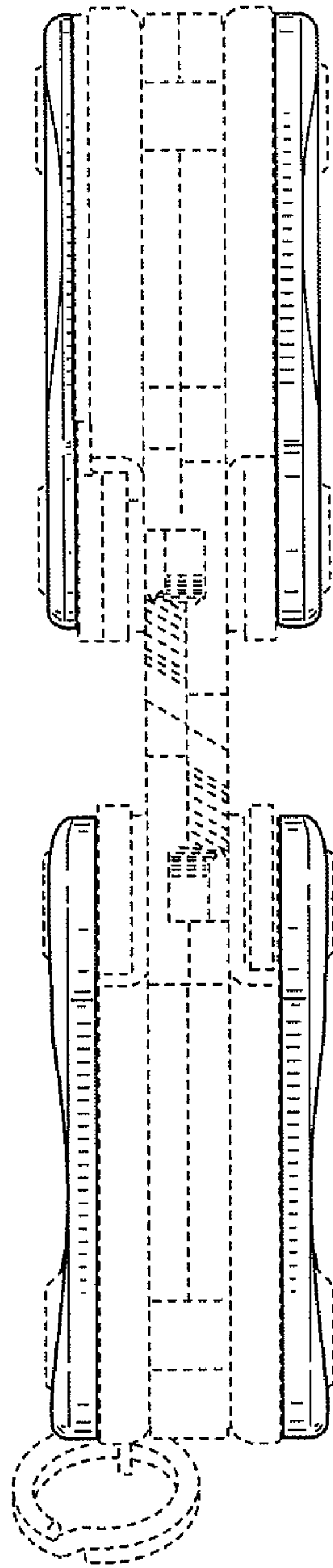
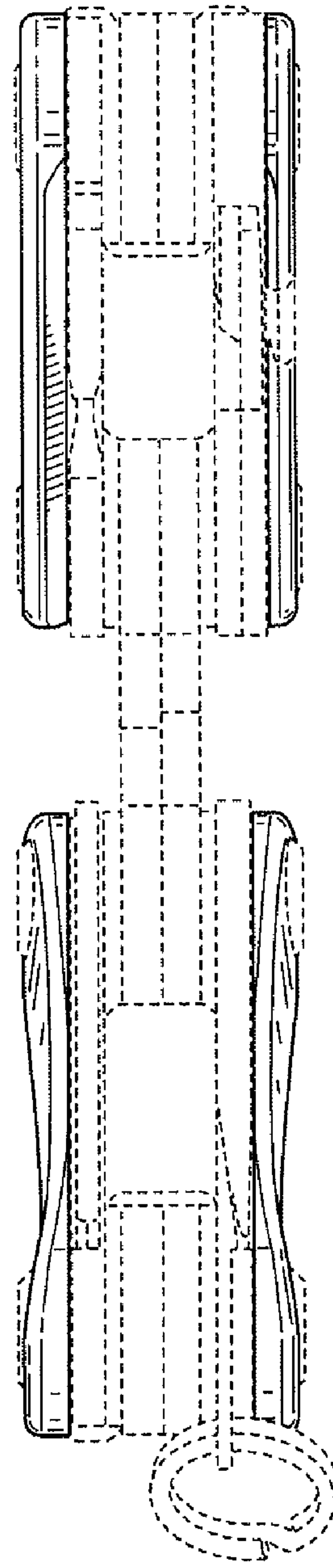


FIG. 22



**FIG. 23**



**FIG. 24**